



# Obsolescence Notice

This product is obsolete.

This information is available for your convenience only.

For more information on Zarlink's obsolete products and replacement product lists, please visit [http://products.zarlink.com/obsolete\\_products/](http://products.zarlink.com/obsolete_products/)

***THIS DOCUMENT IS FOR MAINTENANCE  
PURPOSES ONLY AND IS NOT  
RECOMMENDED FOR NEW DESIGNS***

# NJ8820

## FREQUENCY SYNTHESISER (PROM INTERFACE)

The NJ8820 is a synthesiser circuit fabricated on the GPS CMOS process and is capable of achieving high sideband attenuation and low noise performance. It contains a reference oscillator, 11-bit programmable reference divider, digital and sample-and-hold comparators, 10-bit programmable 'M' counter, 7-bit programmable 'A' counter and the necessary control and latch circuitry for accepting and latching the input data.

Data is presented as eight 4-bit words read from an external memory, with the necessary timing signals generated internally.

It is intended to be used in conjunction with a two-modulus prescaler such as the SP8710 series to produce a universal binary coded synthesiser.

The NJ8820 is available in Plastic DIL (DP) and Miniature Plastic DIL (MP) packages, both with operating temperature range of  $-30^{\circ}\text{C}$  to  $+70^{\circ}\text{C}$ . The NJ8820MA is available only in Ceramic DIL package with operating temperature range of  $-40^{\circ}\text{C}$  to  $+85^{\circ}\text{C}$ .

### FEATURES

- Low Power Consumption
- Direct Interface to ROM or PROM
- High Performance Sample and Hold Phase Detector
- >10MHz Input Frequency

### ORDERING INFORMATION

**NJ8820 BA DP** Plastic DIL Package

**NJ8820 BA MP** Miniature Plastic DIL Package

**NJ8820 MA DG** Ceramic DIL Package

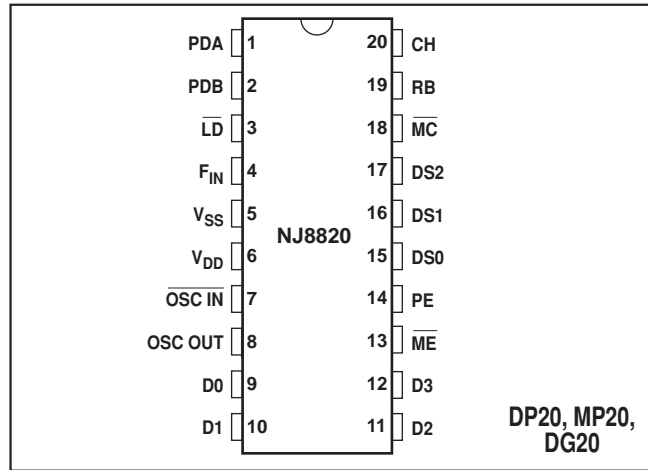


Fig.1 Pin connections - top view

### ABSOLUTE MAXIMUM RATINGS

Supply voltage, $V_{DD}-V_{SS}$	$-0.5\text{V}$ to $7\text{V}$
Input voltage	
Open drain outputs, pins 3 and 13	$7\text{V}$
All other pins	$V_{SS}-0.3\text{V}$ to $V_{DD}+0.3\text{V}$
Storage temperature	$-65^{\circ}\text{C}$ to $+150^{\circ}\text{C}$ (DG package, NJ8820MA)
Storage temperature	$-55^{\circ}\text{C}$ to $+125^{\circ}\text{C}$ (DP and MP packages, NJ8820)

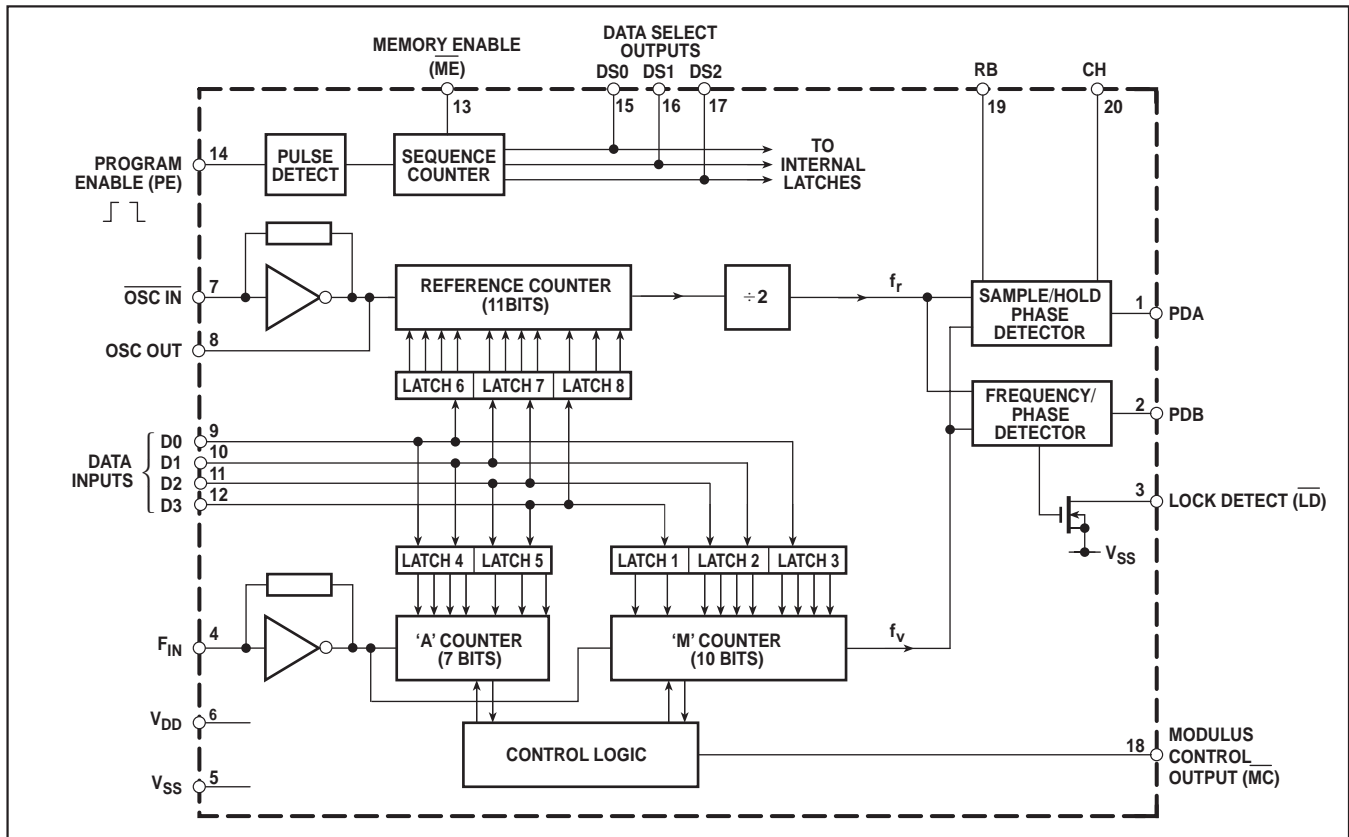


Fig.2 Block diagram

# NJ8820

## ELECTRICAL CHARACTERISTICS AT $V_{DD} = 5V$

Test conditions unless otherwise stated:

$V_{DD} - V_{SS} = 5V \pm 0.5V$ . Temperature range NJ8820 BA:  $-30^{\circ}C$  to  $+70^{\circ}C$ ; NJ8820 MA:  $-40^{\circ}C$  to  $+85^{\circ}C$

### DC Characteristics

Characteristic	Value			Units	Conditions
	Min.	Typ.	Max.		
Supply current		3.5	5.5	mA	$f_{OSC}, f_{FIN} = 10MHz$ } 0 to 5V square wave $f_{OSC}, f_{FIN} = 1.0MHz$ }
		0.7	1.5	mA	
<b>OUTPUT LEVELS</b>					
<b>Memory Enable Output (<math>\overline{ME}</math>)</b>					
Low level			0.4	V	$I_{SINK} = 4mA$
Open drain pull-up voltage			7	V	
<b>Data Select Outputs (DS0-DS2)</b>					
High level	4.6			V	$I_{SOURCE} = 1mA$ $I_{SINK} = 2mA$
Low level			0.4	V	
<b>Modulus Control Output (<math>\overline{MC}</math>)</b>					
High level	4.6			V	$I_{SOURCE} = 1mA$ $I_{SINK} = 1mA$
Low level			0.4	V	
<b>Lock Detect Output (<math>\overline{LD}</math>)</b>					
Low level			0.4	V	$I_{SINK} = 4mA$
Open drain pull-up voltage			7	V	
<b>PDB Output</b>					
High level	4.6			V	$I_{SOURCE} = 5mA$ $I_{SINK} = 5mA$
Low level			0.4	V	
3-state leakage current			$\pm 0.1$	$\mu A$	
<b>INPUT LEVELS</b>					
<b>Data Inputs (D0-D3)</b>					
High level	4.25			V	TTL compatible See note 1
Low level			0.75	V	
<b>Program Enable Input (PE)</b>					
Trigger level	$V_{BIAS}$ $\pm 100mV$			V	$V_{BIAS}$ = self-bias point of PE (nominally $V_{DD}/2$ )

### AC Characteristics

Characteristic	Value			Units	Conditions
	Min.	Typ.	Max.		
$F_{IN}$ and $\overline{OSC}$ IN input level	200			mVRMS	10MHz AC-coupled sinewave Input squarewave $V_{DD}$ to $V_{SS}$ . See note 5.
Max. operating frequency, $f_{FIN}$ and $f_{OSC}$	10.6			MHz	
Propagation delay, clock to $\overline{MC}$		30	50	ns	See note 2.
PE pulse length, $t_W$	5			$\mu s$	Pulse to $V_{SS}$ or $V_{DD}$ .
Data set-up time, $t_{DS}$	1			$\mu s$	
Data hold time, $t_{DH}$	10			ns	
Digital phase detector propagation delay		500		ns	
Gain programming resistor, RB	5			k $\Omega$	See note 3.
Hold capacitor, CH			1	nF	
Output resistance, PDA			5	k $\Omega$	
Digital phase detector gain		0.4		V/Rad	
Power supply rise time	100			$\mu s$	10% to 90%, see note 4.

#### NOTES

- Data inputs have internal pull-up resistors to enable them to be driven from TTL outputs.
- All counters have outputs directly synchronous with their respective clock rising edges.
- The finite output resistance of the internal voltage follower and 'on' resistance of the sample switch driving this pin will add a finite time constant to the loop. An external 1nF hold capacitor will give a maximum time constant of 5 $\mu s$ , typically.
- To ensure correct operation of power-on programming.
- Operation at up to 15MHz is possible with a full logic swing but is not guaranteed.

PIN DESCRIPTIONS

Pin no.	Name	Description
1	PDA	Analog output from the sample and hold phase comparator for use as a 'fine' error signal. Output at $(V_{DD}-V_{SS})/2$ when the system is in lock. Voltage increases as $f_v$ phase lead increases; voltage decreases as $f_r$ phase lead increases. Output is linear over only a narrow phase window, determined by gain (programmed by RB).
2	PDB	Three-state output from the phase/frequency detector for use as a 'coarse' error signal. $f_v > f_r$ or $f_v$ leading: positive pulses with respect to the bias point $V_{BIAS}$ $f_v < f_r$ or $f_r$ leading: negative pulses with respect to the bias point $V_{BIAS}$ $f_v = f_r$ and phase error within PDA window: high impedance.
3	$\overline{LD}$	An open-drain lock detect output at low level when phase error is within PDA window (in lock); high impedance at all other times.
4	$F_{IN}$	The input to the main counters, normally driven from a prescaler, which may be AC-coupled or, when a full logic swing is available, may be DC-coupled.
5	$V_{SS}$	Negative supply (ground).
6	$V_{DD}$	Positive supply.
7, 8	$\overline{OSC IN}/$ OSC OUT	These pins form an on-chip reference oscillator when a series resonant crystal is connected across them. Capacitors of appropriate value are also required between each end of the crystal and ground to provide the necessary additional phase shift. An external reference signal may, alternatively, be applied to $\overline{OSC IN}$ . This may be a low-level signal, AC-coupled, or if a full logic swing is available it may be DC-coupled. The program range of the reference counter is 3 to 2047, with the division ratio being twice the programmed number.
9,10, 11, 12	D0-D3	Information on these inputs is transferred to the internal data latches during the appropriate data read time slot. D3 is MSB, D0 is LSB.
13	$\overline{ME}$	An open drain output for use in controlling the power supply to an external ROM or PROM. $\overline{ME}$ is low during the data read period and high impedance at other times.
14	PE	A positive or negative pulse or edge AC-coupled into this pin initiates the single-shot data read procedure. Grounding this pin repeats the data read procedure in a cyclic manner.
15, 16, 17	DS0-DS2	Internally generated three-state data select outputs, which may be used to address external memory.
18	$\overline{MC}$	Modulus control output for controlling an external dual-modulus prescaler. $\overline{MC}$ will be low at the beginning of a count cycle and will remain low until the 'A' counter completes its cycle. $\overline{MC}$ then goes high and remains high until the 'M' counter completes its cycle, at which point both 'A' and 'M' counters are reset. This gives a total division ratio of $MP+A$ , where $P$ and $P+1$ represent the dual-modulus prescaler values. The program range of the 'A' counter is 0-127 and therefore can control prescalers with a division ratio up to and including $\div 128/129$ . The programming range of the 'M' counter is 8-1023 and, for correct operation, $M \geq A$ . Where every possible channel is required, the minimum total division ratio should be $P^2-P$ .
19	RB	An external sample and hold phase comparator gain programming resistor should be connected between this pin and $V_{SS}$ .
20	CH	An external hold capacitor should be connected between this pin and $V_{SS}$ .

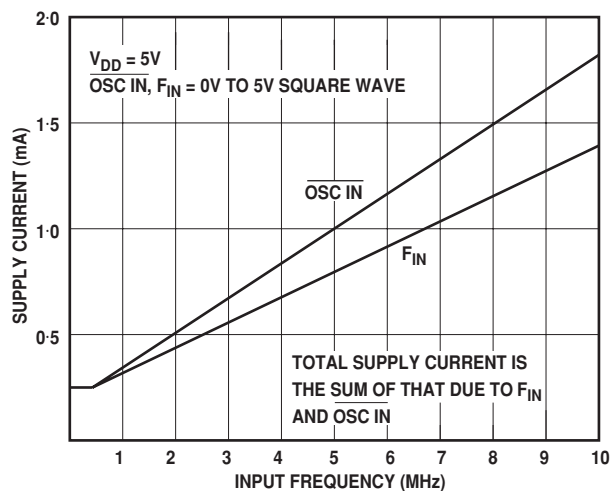


Fig. 3 Typical supply current v. input frequency

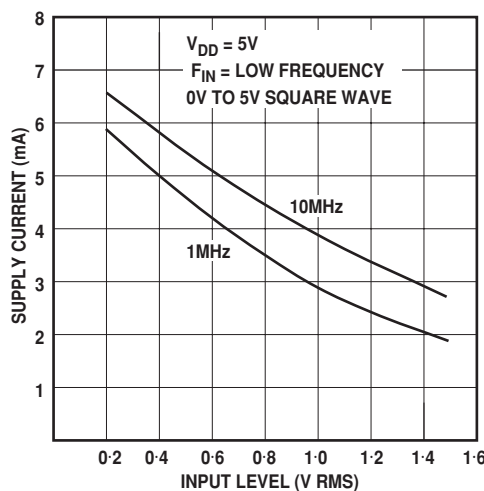


Fig. 4 Typical supply current v. input level,  $\overline{OSC IN}$

**PROGRAMMING**

Program information can be obtained from an external ROM or PROM under the control of the NJ8820. Twenty-eight data bits are required per channel arranged as eight 4-bit words leaving four redundant bits, two of which are available on the data bus driving the data transfer time slot and may be used for external control purposes. A suitable PROM would be the 74S287, giving up to 32 channel capability as shown in Fig. 5. Note that the choice of PNP transistor and supply bypass capacitor on the ROM should be such that the ROM will power up in time: for example, at 10MHz oscillator frequency, the ROM must be powered up in less than 25µs.

Reading this data is normally done in single shot mode, with the data read cycle started by either a positive or negative pulse on the program enable (PE) pin. The data read cycle is generated from a program clock at 1/64 of the reference oscillator frequency. A memory enable signal ( $\overline{ME}$ ) is supplied to allow power-down of the ROM when it is not in use. Data select outputs (DS0-DS2) remain in a high impedance state when the program cycle is completed to allow the address bus to be used for other functions if desired. The data map, data read cycle and timing diagram are shown in Figs. 6 to 8. Data is latched internally during the portions of the program cycle shown shaded in Fig. 7 and all data is transferred to the

counters and latched during the data transfer time slot.

Alternatively, the PE pin may be grounded, causing the data read cycle to repeat cyclically to allow continuous up-dating of the program information. In this mode, external memory will be enabled continuously ( $\overline{ME}$  low) and the data read cycle will repeat every sixteen cycles of the internal program clock, i.e. every  $1024/f_{OSC}$  seconds. This programming method is not recommended because of the higher power consumption and the possibilities of noise into the loop from the digital data lines.

**Power-on Programming**

On power-up, the data read cycle is automatically initiated, making it unnecessary to provide a PE pulse. The circuit detects the power supply rising above a threshold point (nominally 1.5V) and, after an internally generated delay to allow the supply to rise fully, the circuit is programmed in the normal way. This delay is generated by counting reference oscillator pulses and is therefore dependent on the crystal used. The delay consists of 53248 reference oscillator cycles, giving a delay of about 5ms at 10MHz.

To ensure correct operation of this function, the power supply rise time should be less than 5ms (at 10MHz), rising smoothly through the threshold point.

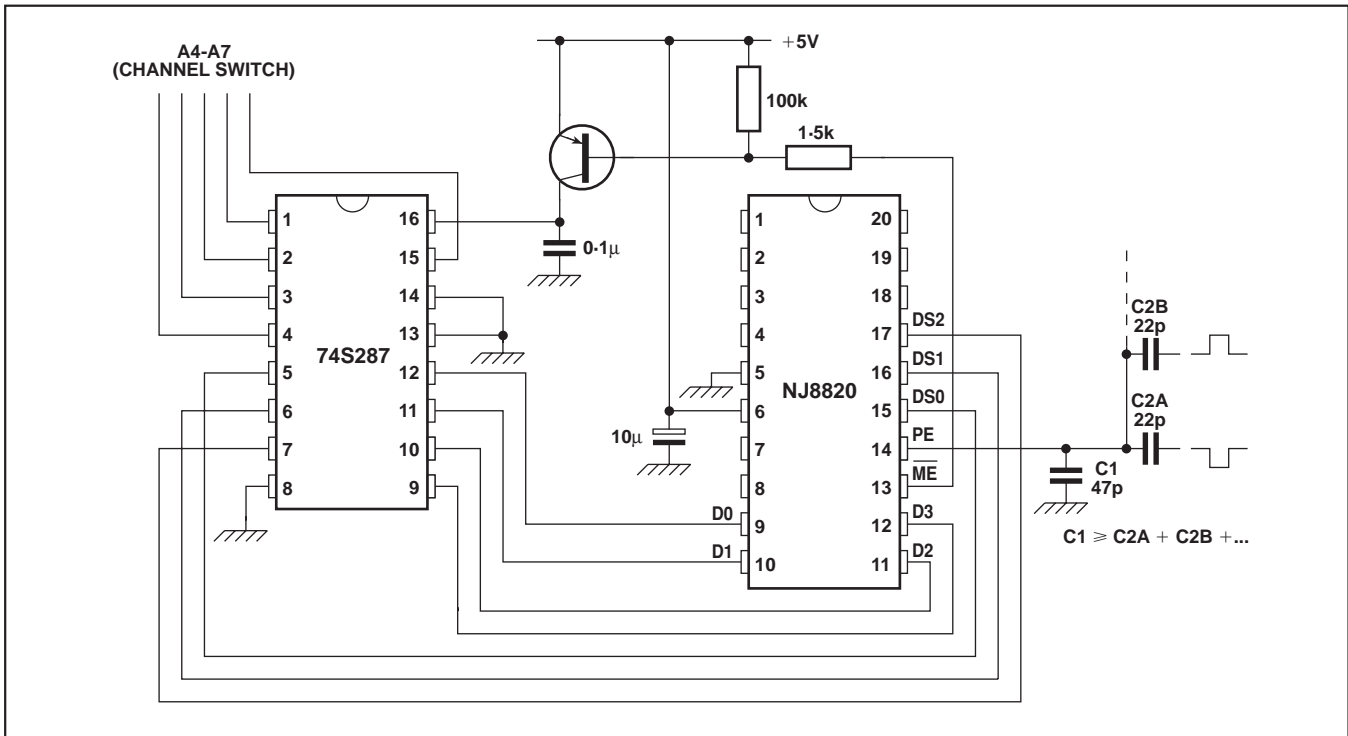


Fig. 5 Programming via PROM

WORD	DS2	DS1	DS0	D3	D2	D1	D0
1	0	0	0	M1	M0	-	-
2	0	0	1	M5	M4	M3	M2
3	0	1	0	M9	M8	M7	M6
4	0	1	1	A3	A2	A1	A0
5	1	0	0	-	A6	A5	A4
6	1	0	1	R3	R2	R1	R0
7	1	1	0	R7	R6	R5	R4
8	1	1	1	-	R10	R9	R8

Fig. 6 Data map

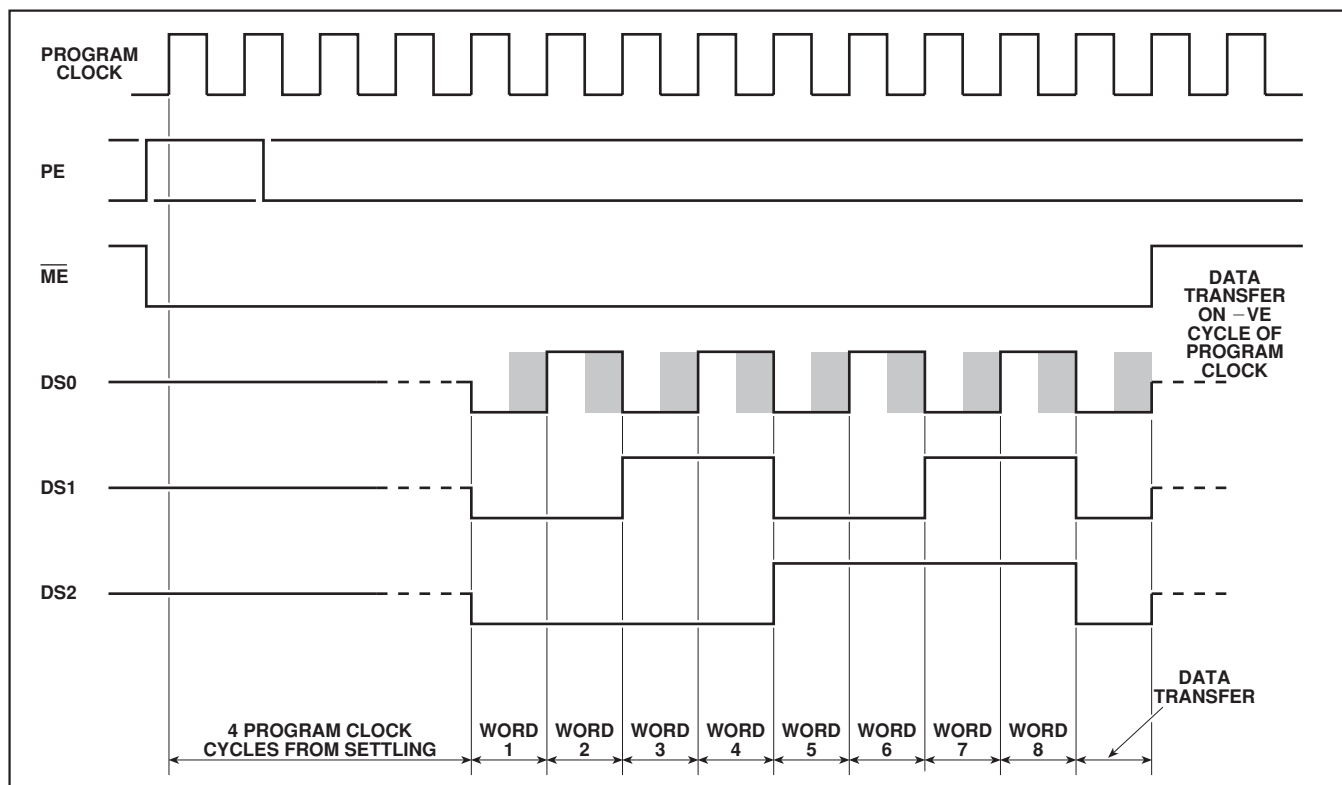


Fig.7 Data selection

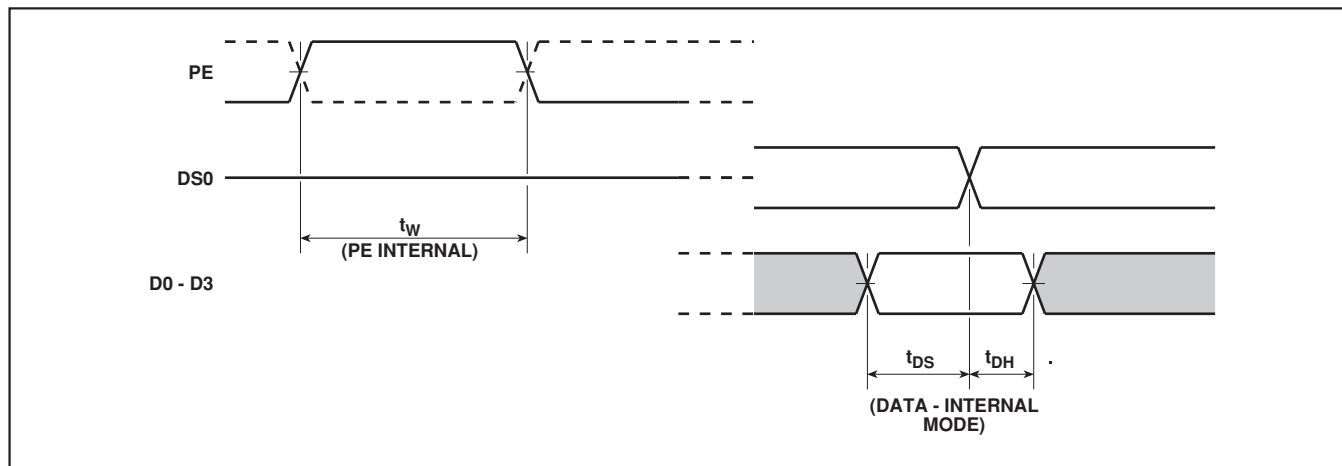


Fig.8 Timing diagram

### PHASE COMPARATORS

The digital phase/frequency detector drives a three-state output, PDB, which provides a 'coarse' error signal to enable fast switching between channels. The PDB output is active until the phase error is within the sample and hold phase detector, PDA, window, when PDB becomes high impedance. Phase-lock is indicated at this point by a low level on LD. The sample and hold phase detector provides a 'fine' error signal to give further phase adjustment and to hold the loop in lock.

An internally generated ramp, controlled by the digital output from both the reference and main divider chains, is sampled at the reference frequency to give the 'fine' error signal, PDA. When in phase lock, this output would be typically at  $(V_{DD} - V_{SS})/2$  and any offset from this would be proportional to phase error. The relationship between this offset and the

phase error is the phase comparator gain, which is programmable with an external resistor, RB. An internal 50pF capacitor is used in the sample and hold comparator.

### CRYSTAL OSCILLATOR

When using the internal oscillator, the stability may be enhanced at high frequencies by the inclusion of a resistor between pin 8 (OSC OUT) and the other components. A value of 2.2kΩ is advised.

### PROGRAMMING/POWER UP

Data and signal input pins should not have input applied to them prior to the application of  $V_{DD}$ , as otherwise latch-up may occur.



HEADQUARTERS OPERATIONS  
**GEC PLESSEY SEMICONDUCTORS**  
Cheney Manor, Swindon,  
Wiltshire SN2 2QW, United Kingdom.  
Tel: (0793) 518000  
Fax: (0793) 518411

**GEC PLESSEY SEMICONDUCTORS**  
P.O. Box 660017  
1500 Green Hills Road,  
Scotts Valley, California 95067-0017,  
United States of America.  
Tel: (408) 438 2900  
Fax: (408) 438 5576

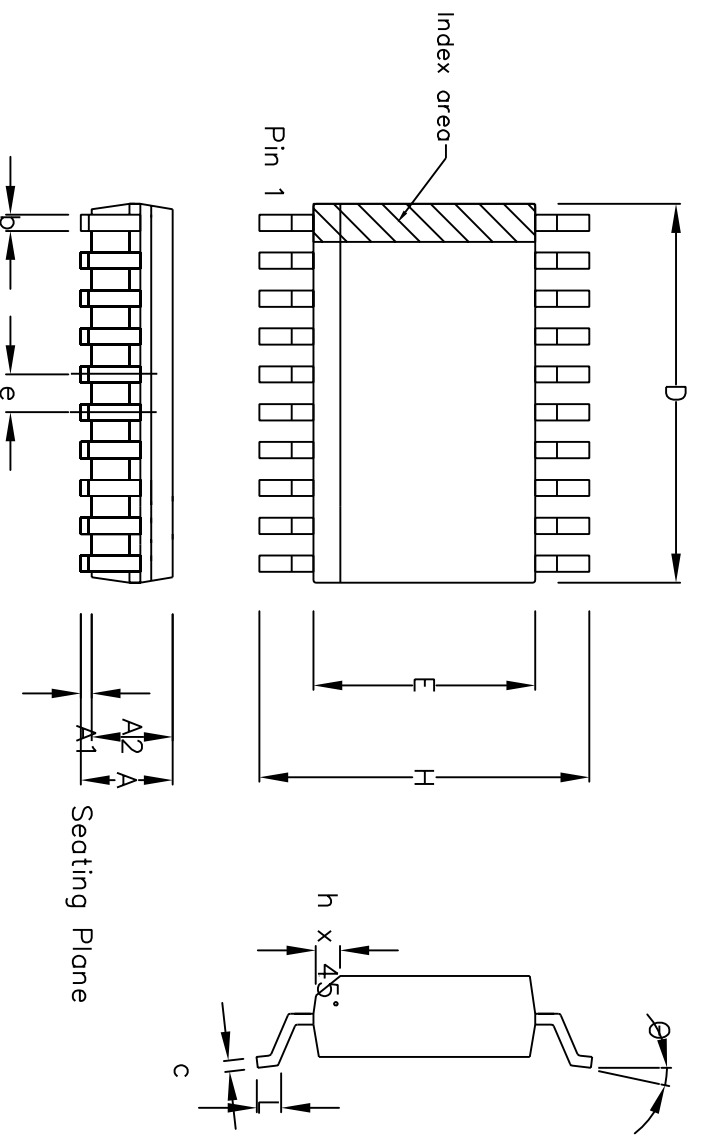
CUSTOMER SERVICE CENTRES

- **FRANCE & BENELUX** Les Ulis Cedex Tel: (1) 64 46 23 45 Fax : (1) 64 46 06 07
- **GERMANY** Munich Tel: (089) 3609 06-0 Fax : (089) 3609 06-55
- **ITALY** Milan Tel: (02) 66040867 Fax: (02) 66040993
- **JAPAN** Tokyo Tel: (03) 5276-5501 Fax: (03) 5276-5510
- **NORTH AMERICA** Scotts Valley, USA Tel (408) 438 2900 Fax: (408) 438 7023.
- **SOUTH EAST ASIA** Singapore Tel: (65) 3827708 Fax: (65) 3828872
- **SWEDEN** Stockholm, Tel: 46 8 702 97 70 Fax: 46 8 640 47 36
- **TAIWAN, ROC** Taipei Tel: 886 2 5461260. Fax: 886 2 71900260
- **UK, EIRE, DENMARK, FINLAND & NORWAY**  
Swindon Tel: (0793) 518510 Fax : (0793) 518582

These are supported by Agents and Distributors in major countries world-wide.

© GEC Plessey Semiconductors 1992





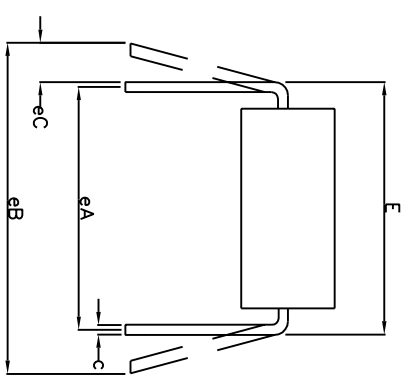
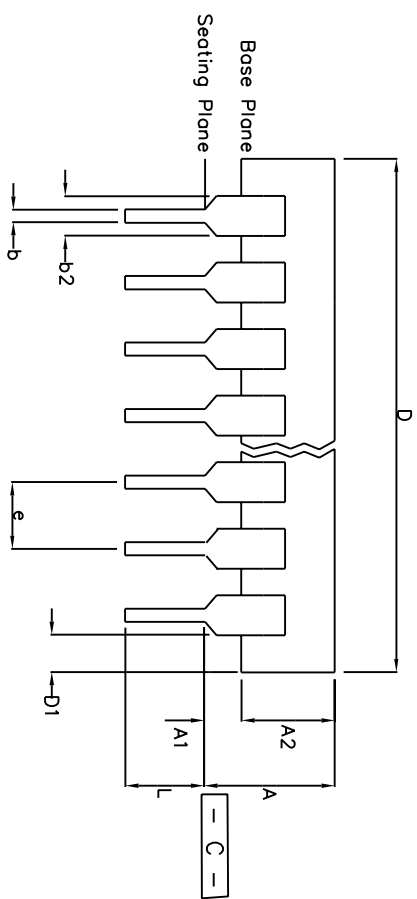
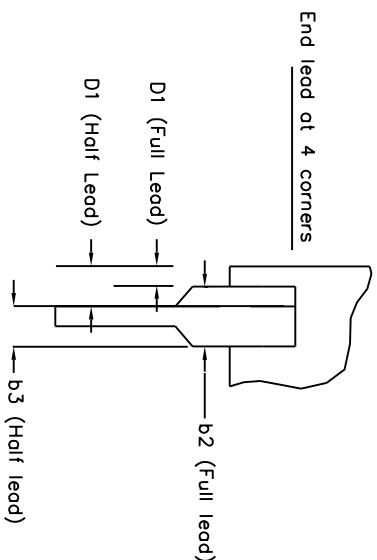
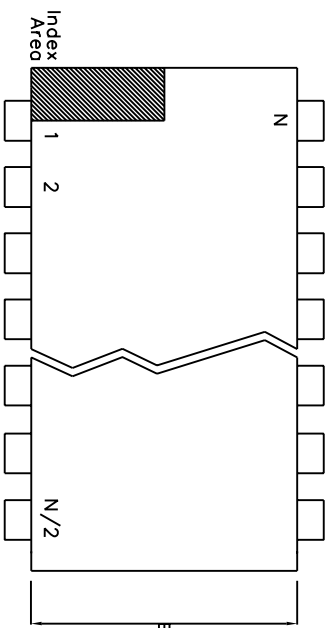
Symbol	Control Dimensions in millimetres			Altern. Dimensions in inches		
	MIN	Nominal	MAX	MIN	Nominal	MAX
A	2.35		2.65	0.093		0.104
A1	0.10		0.30	0.004		0.012
A2	2.25		2.35	0.089		0.092
D	12.60		13.00	0.496		0.512
H	10.00		10.65	0.394		0.419
E	7.40		7.60	0.291		0.299
L	0.40		1.27	0.016		0.050
e	1.27 BSC.			0.050 BSC.		
b	0.33		0.51	0.013		0.020
c	0.23		0.32	0.009		0.013
theta	0°		8°	0°		8°
h	0.25		0.75	0.010		0.029
Pin features						
20						
N						
Conforms to JEDEC MS-013AC Iss. C						

- Notes:
1. The chamfer on the body is optional. If it not present, a visual index feature, e.g. a dot, must be located within the cross-hatched area.
  2. Controlling dimension are in millimeters.
  3. Dimension D do not include mould flash, protrusion or gate burrs. These shall not exceed 0.006" per side.
  4. Dimension E1 do not include inter-lead flash or protrusion. These shall not exceed 0.010" per side.
  5. Dimension b does not include dambar protrusion/intrusion. Allowable dambar protrusion shall be 0.004" total in excess of b dimension.

© Zarlink Semiconductor 2002 All rights reserved.			
ISSUE	1	2	3
ACN	6746	201941	213098
DATE	7Apr95	27Feb97	15Jul02
APPRD.			



Previous package codes		Package Code	Package Outline for 20 lead SOIC (0.300" Body Width)
MP / S			
		DC	GPD000015



	Min mm	Max mm	Min Inches	Max Inches
A	0.38	5.33	0.015	0.210
A1	0.38		0.015	
A2	2.92	4.95	0.115	0.195
b	0.36	0.56	0.014	0.022
b2	1.14	1.78	0.045	0.070
b3	n/a	n/a	n/a	n/a
c	0.20	0.36	0.008	0.014
D	24.89	26.92	0.980	1.060
D1	0.13		0.005	
E	7.62	8.26	0.300	0.325
E1	6.10	7.11	0.240	0.280
e	2.54 BSC	0.100 BSC		
eA	7.62 BSC	0.300 BSC		
eB		10.92		0.430
eC	0.00	1.52	0.000	0.060
L	2.92	3.81	0.115	0.150
N		20		20

Conforms to Jeduc MS-001AD Issue D

- Notes:
1. Dimensions D, D1 & E1 do not include mould flash or protrusions.
  2. Dimensions E & eA are measured with leads constrained to be perpendicular to datum  $\square - C - \square$
  3. Dimensions eB & eC are measured with the leads unconstrained
  4. Controlling dimensions are inches. Millimeter conversions are not necessarily exact.
  5. N is the maximum of terminal positions.

This drawing supersedes:-  
UK drawing # 418/ED/39502/005

© Zarlink Semiconductor 2002 All rights reserved.

ISSUE	1	2		
ACN	202562	213107		
DATE	9Jun97	15Jul02		
APPRD.				



Previous package codes

DP / E

Package Code DA

Package Outline for 20 lead PDIP

GPDD00347



**For more information about all Zarlink products  
visit our Web Site at  
[www.zarlink.com](http://www.zarlink.com)**

Information relating to products and services furnished herein by Zarlink Semiconductor Inc. or its subsidiaries (collectively "Zarlink") is believed to be reliable. However, Zarlink assumes no liability for errors that may appear in this publication, or for liability otherwise arising from the application or use of any such information, product or service or for any infringement of patents or other intellectual property rights owned by third parties which may result from such application or use. Neither the supply of such information or purchase of product or service conveys any license, either express or implied, under patents or other intellectual property rights owned by Zarlink or licensed from third parties by Zarlink, whatsoever. Purchasers of products are also hereby notified that the use of product in certain ways or in combination with Zarlink, or non-Zarlink furnished goods or services may infringe patents or other intellectual property rights owned by Zarlink.

This publication is issued to provide information only and (unless agreed by Zarlink in writing) may not be used, applied or reproduced for any purpose nor form part of any order or contract nor to be regarded as a representation relating to the products or services concerned. The products, their specifications, services and other information appearing in this publication are subject to change by Zarlink without notice. No warranty or guarantee express or implied is made regarding the capability, performance or suitability of any product or service. Information concerning possible methods of use is provided as a guide only and does not constitute any guarantee that such methods of use will be satisfactory in a specific piece of equipment. It is the user's responsibility to fully determine the performance and suitability of any equipment using such information and to ensure that any publication or data used is up to date and has not been superseded. Manufacturing does not necessarily include testing of all functions or parameters. These products are not suitable for use in any medical products whose failure to perform may result in significant injury or death to the user. All products and materials are sold and services provided subject to Zarlink's conditions of sale which are available on request.

Purchase of Zarlink's I<sup>2</sup>C components conveys a licence under the Philips I<sup>2</sup>C Patent rights to use these components in and I<sup>2</sup>C System, provided that the system conforms to the I<sup>2</sup>C Standard Specification as defined by Philips.

Zarlink, ZL and the Zarlink Semiconductor logo are trademarks of Zarlink Semiconductor Inc.

Copyright Zarlink Semiconductor Inc. All Rights Reserved.

**TECHNICAL DOCUMENTATION - NOT FOR RESALE**

---