

NEC

TFT COLOR LCD MODULE

NL128102AC31-02

**51 cm (20.1 inches), 1280 1024 pixels, 8bit/color,
Incorporated backlight and Inverter
Ultra wide viewing angle**

DESCRIPTION

NL128102AC31-02 is a TFT (Thin Film Transistor) active matrix color liquid crystal display (LCD) comprising amorphous silicon TFT attached to each signal electrode, a driving circuit and a backlight.

NL128102AC31-02 has a built-in backlight with the inverter.

The 51cm (20.1 Inches) diagonal display area contains 1280 x 1024 pixel and can display 16,777,216 colors simultaneously.

FEATURES

- Ultra-wide viewing angle
- High luminance (200 cd/m² typ.)
- Low reflection and wide color gamut
- LVDS interface (THC63LVDF84A x 2 chips, THine Electronics, Inc.)
8bit per color
- Incorporated direct type backlight (12 CCFLs with inverter)

APPLICATIONS

- Engineering work station, desk-top type of PC
- Display terminals for control system
- Monitors for process controller

The information in this document is subject to change without notice.

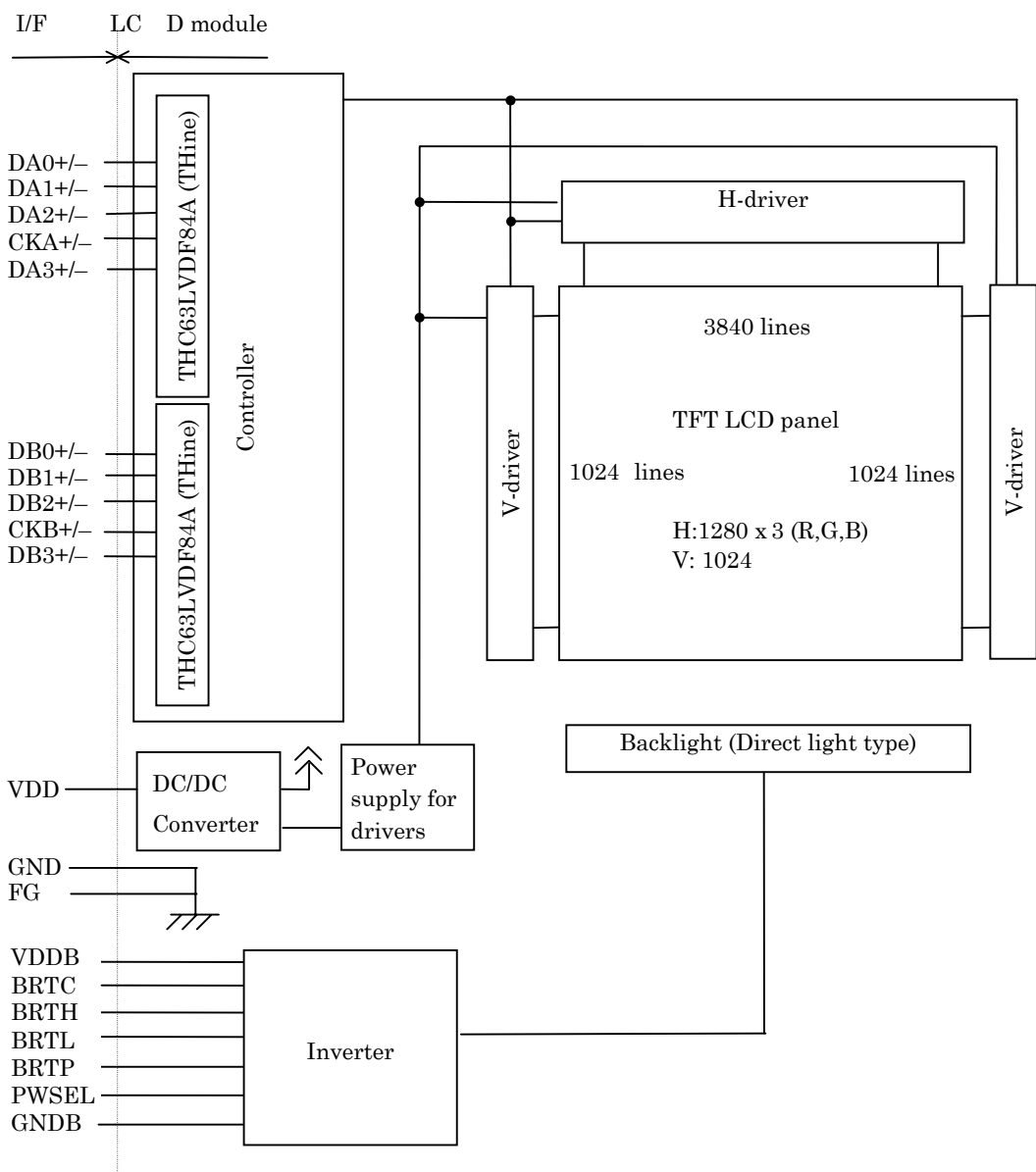
STRUCTURE AND FUNCTIONS

A color TFT (thin film transistor) LCD module is comprised of a TFT liquid crystal panel structure, LSIs for driving the TFT array, and a backlight assembly. The TFT panel structure is created by sandwiching liquid crystal material in the narrow gap between a TFT array glass substrate and a color filter glass substrate. After the driver LSIs are connected to the panel, the backlight assembly is attached to the backside of the panel.

RGB (red, green, blue) data signals from a source system is modulated into a form suitable for active matrix addressing by the onboard signal processor and sent to the driver LSIs which in turn addresses the individual TFT cells.

Acting as an electro-optical switch, each TFT cell regulates light transmission from the backlight assembly when activated by the data source. By regulating the amount of light passing through the array of red, green, and blue dots, color images are created with clarity.

BLOCK DIAGRAM



Remark GND (Signal Ground) is connected to FG (Frame Ground) in the LCD module. Neither GND nor FG is connected to GNDB (Backlight Ground). GND, FG and GNDB should be connected in the system ground.

OUTLINE OF CHARACTERISTICS (at room temperature)

Display area	399.36 (H) x 319.49 (V)
Drive system	a-Si TFT active matrix
Display colors	16,777,216 colors
Number of pixels	1280 x 1024 pixels
Pixel arrangement	RGB vertical stripe
Pixel pitch	0.312 (H) 0.312 (V) mm
Module size	470.0 (H) x 382.0 (V) x 42.5 (D) mm
Weight	2320 g (typ.)
Contrast ratio	250 : 1 (typ.)
Viewing angle (more than the contrast ratio of 10 : 1)	<ul style="list-style-type: none"> • Horizontal : 85° (typ., left side, right side) • Vertical : 85° (typ., up side, down side)
Designed viewing direction	<ul style="list-style-type: none"> • Optimum grayscale (r = 2.2): perpendicular
Polarizer pencil-hardness	3H (min., at JIS K5400)
Color gamut	60 % (typ., at center, to NTSC)
Response time	45 ms (typ.), "black" to "white"
Luminance	200 cd/m ² (typ.)
Signal system	RGB 8-bit signals, Synchronous signals (Hsync, Vsync), Dot clock (CLK), DE LVDS interface (THC63LVDF84A, THine Electronics, Inc.)
Supply voltage	12 V (Logic, LCD driving), 12 V (Backlight)
Backlight	Direct light type: 12 CCFLs with inverter [Replaceable parts] <ul style="list-style-type: none"> • Lamp holder type No.: 201LHS02 • Inverter type No.: 201PW021
Power consumption	46.6 W (typ.)

GENERAL SPECIFICATIONS

Item	Specification	Unit
Module size	470.0 ± 1.0 (H) 382 ± 1.0 (V) 42.5 max. (D)	mm
Display area	399.36 (H) x 319.49 (V), Diagonal 51cm (20.1 inches)	mm
Number of pixels	1280 (H) 1024 (V)	pixel
Dot pitch	0.104 (H) 0.312 (V)	mm
Pixel pitch	0.312 (H) 0.312 (V)	mm
Pixel arrangement	RGB (Red, Green, Blue) vertical stripe	-
Display colors	16,777,216 (8bit per color)	color
Weight	2430 (max.)	g

ABSOLUTE MAXIMUM RATINGS

Parameter	Symbol	Rating	Unit	Remarks
Supply voltage	V _{DD}	-0.3 to +14.0	V	T _a = 25°C
	V _{DD} B	-0.3 to +14.0	V	
Logic input voltage (LCD)	V _i	- 0.3 to + 3.6	V	V _{DD} =12V, T _a = 25°C
Logic input voltage (backlight-BRTC signal)	V _i BL1	-0.3 to +5.5	V	V _{DD} B=12V, T _a = 25°C
Logic input voltage (backlight-BRTL signal)	V _i BL2	-0.3 to +1.5	V	
Storage temp.	T _{ST}	-20 to +60	°C	-
Operating temp.	T _{OP}	0 to +55	°C	Module surface
Humidity (No condensation)	-	95% relative humidity	-	T _a 40°C
	-	85% relative humidity	-	40 < T _a 50°C
	-	70% rel	-	50 < T 55°C
	-	Absolute humidity shall not exceed T _a = 55°C, 70% relative humidity level.	-	T _a > 55°C

Note: The temperature is measured at the surface of display.

ELECTRICAL CHARACTERISTICS

(1) Logic, LCD driving

T_a = 25°C

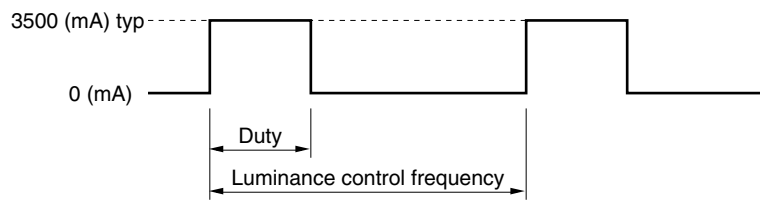
Parameter	Symbol	MIN.	TYP.	MAX.	Unit	Remarks
Supply voltage	V _{DD}	11.4	12.0	12.6	V	–
Ripple voltage	V _{rp}	–	–	100	mV	for V _{DD}
LVDS signal input “L” voltage	V _{IL}	–100	–	–	mV	VCM = 1.2 V VCM: Common mode voltage in LVDS driver
LVDS signal input “H” voltage	V _{IH}	–	–	+100	mV	
Input voltage	V _i	0	–	2.4	V	–
Terminating resistor	R _t	–	100	–		–
Supply current	I _{DD}	–	380 Note	1000	mA	V _{DD} = 12.0V

Note Checkered flag pattern (in EIAJ ED-2522)

(2) Backlight

T_a = 25°C

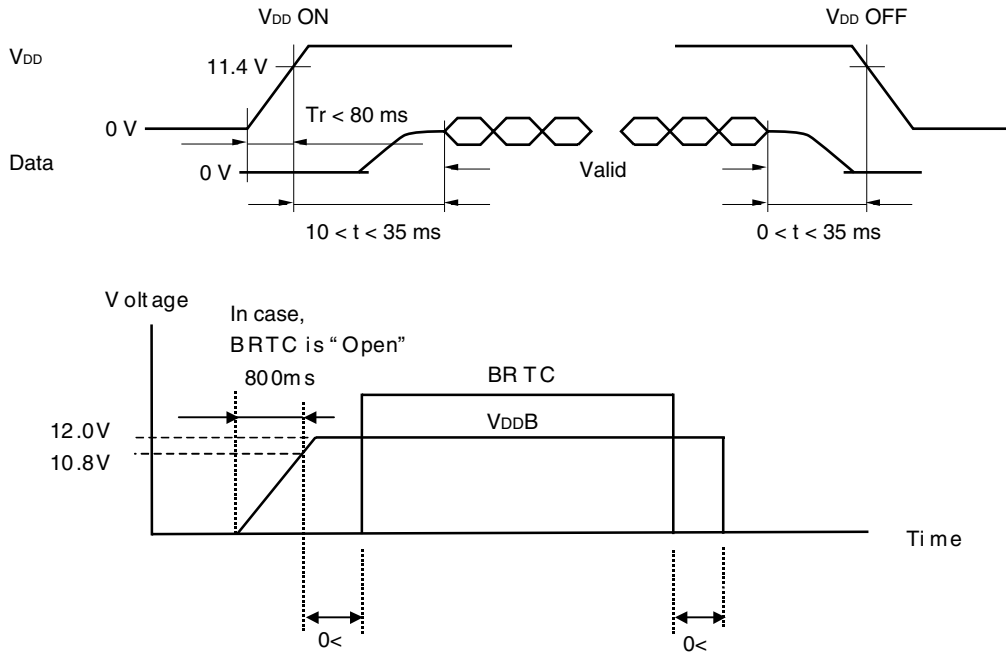
Parameter	Symbol	MIN.	TYP.	MAX.	Unit	Remarks
Supply voltage	V _{DDB}	10.8	12.0	13.2	V	–
Logic input “L” current	I _{iBL1}	-1.6	–	–	mA	for BRTC
Logic input “H” current	I _{iBL1}	–	–	3.5	mA	
Logic input “L” current	I _{iBL2}	-610	–	–	A	for BRTC, PWSEL
Logic input “H” current	I _{iBL2}	–	–	440	A	
Supply current	I _{DDB}	–	3500	4200	mA	V _{DDB} = 12 V (at max. luminance)



Maximum luminance control: 100 %
 Minimum luminance control: 20 %
 Luminance control frequency: 243 to 297 Hz, 270 Hz (typ.)

Note: The power supply line (V_{DDB} and G_{NDB}) has a large ripple noise while dimming. Certain consideration should be taken to reduce the noise.

SUPPLY VOLTAGE SEQUENCE



- Notes**
1. Data: pixel data and Pixel clock.
 2. The supply voltage for input signals should be the same as V_{DD}.
 3. Apply V_{DD}B within the LCD operation period. When the backlight turns on before LCD operation or the LCD operation turns off before the backlight turns off, the display may momentarily become white. However, 12 V for backlight should be started up within 800ms, otherwise, the protection circuit makes the backlight turns off.
 4. The backlight on/off signal (BRTC) should be controlled while logic signals are supplied.
 5. Do not input "H" for PWSE, when V_{DD}B is 0V or BRTC is "L".
 6. When the power is off, please keep whole signals low level or high impedance.

INTERFACE PIN CONNECTION

(1) Interface connector for signal and power

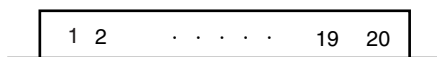
Part No. : 53780-2010
 Adaptable socket: 51146-2000
 Supplier : Molex Incorporated

CN1

Pin No.	Symbol	Signal type	Function
1	NC	Non-connection	Keep the terminal open
2	NC		
3	GND	Ground	Connect to system ground
4	GND		
5	DA0-	Odd pixel data input 0	Odd pixel data input 0 (LVDS level)
6	DA0+		
7	GND	Ground	Connect to system ground
8	DA1-	Odd pixel data input 1	Odd pixel data input 1 (LVDS level)
9	DA1+		
10	GND	Ground	Connect to system ground
11	DA2-	Odd pixel data input 2	Odd pixel data input 2 (LVDS level)
12	DA2+		
13	GND	Ground	Connect to system ground
14	CKA-	Odd pixel clock input	Odd pixel clock input (LVDS level)
15	CKA+		
16	GND	Ground	Connect to system ground
17	DA3-	Odd pixel data input 3	Odd pixel data input 3 (LVDS level)
18	DA3+		
19	GND	Ground	Connect to system ground
20	NC	Non-connection	Keep the terminal open

- Notes**
- Signal ground for logic and LCD driving. GND should be connected to system ground. Neither GND nor GNDB is connected to frame.
 - Connect all pins and GND terminal. Cable use 100 twist pair.
 Connect all pins (except 1, 2, 20) to avoid noise issue.
 Use 100 twist pair wires for the cable.

CN1: Figure from socket view



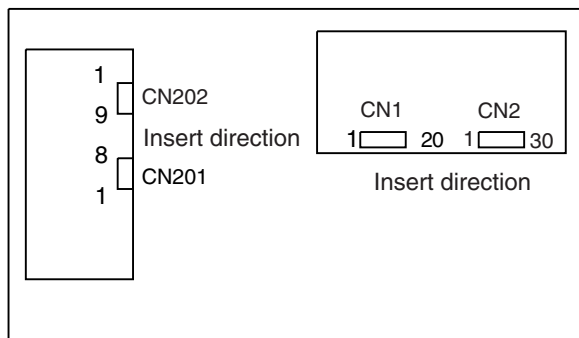
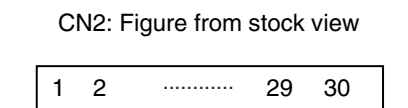
Part No. : 53780-3010
 Adaptable socket : 51146-3000
 Supplier : Molex Incorporated.

CN2

Pin No.	Symbols	Signal type	Function
1	N.C.	Non-connection	Keep the terminal open
2	N.C.		
3	GND	Ground	Connect to system ground
4	GND		
5	DB0-	Even Pixel Data0	Even pixel data input 0 (LVD S level)
6	DB0+		
7	GND	Ground	Connect to system ground
8	DB1-	Even Pixel Data1	Even pixel data input 1 (LVD S level)
9	DB1+		
10	GND	Ground	Connect to system ground
11	DB2-	Even Pixel Data 2	Even pixel data input 2 (LVD S level)
12	DB2+		
13	GND	Ground	Connect to system ground
14	CKB-	Even Pixel Clock	Even pixel clock input (LVD S level)
15	CKB+		
16	GND	Ground	Connect to system ground
17	DB3-	Even Pixel Data3	Even pixel data input 3 (LVD S level)
18	DB3+		
19	GND	Ground	Connect to system ground
20	Res.	Reserved	Keep the terminal open
21	Res.		
22	Res.		
23	Res.		
24	GND	Ground	Connect to system ground
25	GND		
26	GND		
27	N.C.	Non-connection	Keep the terminal open
28	VDD	+12V Power Supply	12V±5%
29	VDD		
30	VDD		

Note 1: GND is signal ground for logic and LCD driving. GND is connected to FG (Frame Ground) in the LCD module. Neither GND nor FG is connected to GNDB (Backlight Ground).
 GND, FG and GNDB should be connected to the system ground.

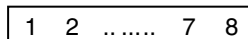
Remark: Connect all pins except 1, 2 and 27 to avoid noise issues. Use 100 ohm twist pair wires for the cable.



(2) Connector for backlight unit

Part No. : DF3-8P-2H
 Adaptable socket: DF3-8S-2C
 Supplier : HIROSE Electric Co., Ltd.

CN201: Figure from socket view



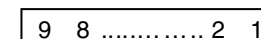
CN201

Pin No.	Symbols	Signal type	Function
1	GNDB	Ground for backlight	Note 1
2	GNDB		
3	GNDB		
4	GNDB		
5	VDDB	12V power supply	+12V+/-10%
6	VDDB		
7	VDDB		
8	VDDB		

Note 1. GNDB is not connected to GND or the frame.

Part No. ; IL -Z-9PL1-SMT Y
 Adaptable socket : IL -Z-9S-S125C3
 Supplier : Japan Aviation Electronics Industry Limited (JAE)

CN202: Figure from socket view



CN202

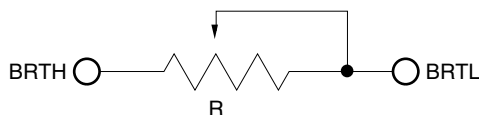
Pin No.	Symbols	Signal type	Function
1	GNDB	Ground for backlight	Note 1
2	GNDB		
3	N.C.	Non-connection	Keep the terminal open
4	BRTC	Backlight ON/OFF control signal	"H" or "Open" Backlight on "L" Backlight off
5	BRTH	Luminance control signal	Note 2
6	BRTL	Luminance control signal	
7	BRTP	Luminance control signal	Note 2
8	GNDB	Ground for backlight	Note 1
9	PWSEL	Luminance control select signal	Note 2

Note 1. GNDB is not connected to GND or the frame.

2. There are three ways of controlling luminance.

1) A way of luminance control by a variable resistor (PWSEL="H" or "Open", BRTP="Open")

The variable resistor for luminance control should be 10 k type, and zero point of the resistor corresponds to the minimum of luminance.



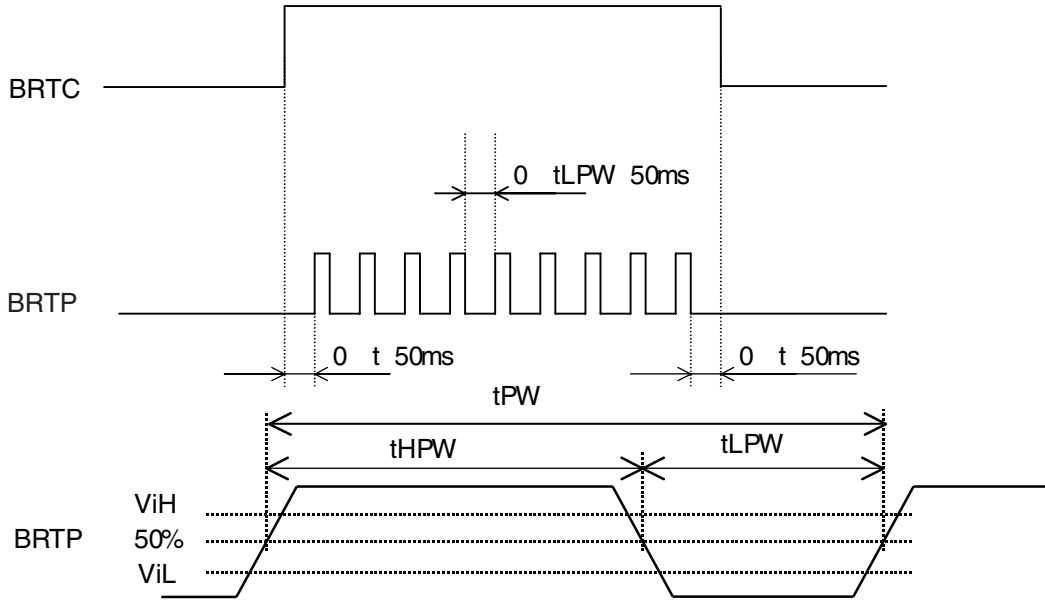
Mating variable resistor : 10 K ±5 %, B curve
 Maximum luminance (100 %) : R = 10 K
 Minimum luminance (30 %) : R = 0

2) A way of luminance control by voltage (PWSEL="H" or "Open", BRTP="Open")

BRTH should be fixed to 0 V to control luminance by voltage. The range of input voltage between BRTL and GNDB is as follows.

Maximum luminance (100%) : 1 V (typ.)
 Minimum luminance (30%) : 0 V

- 3) A way of luminance control by PWM
 Outside control is valid, when PWSEL="L" and input signal for B RTP. Luminance can be controlled by the duty value of input signal for B RTP.
 Duty=100%: Luminance is maximum.
 Duty=20%: Luminance is minimum.



Parameters	Symbols	Min.	Typ.	Max.	Unit	Remarks
Frequency	$1/t_{PW}$	185	-	325	Hz	-
"L" period	t_{LPW}	-	-	50	ms	-
Pulse-width	t_{HPW}/t_{PW}	20	-	100	%	at Max. luminance (100%)
Input voltage	V_{iL}	0	-	0.8	V	-
	V_{iH}	2.0	-	5.25	V	-

Regarding set up for frequency, refer to the below method.

Set up frequency = V_{sync} frequency \times (n+0.25) or (n+0.75)

Adopt the frequency evaluating the display quality, because the display will be disturbed depend on frequency.

- (3) Display position of input data

D (0, 0)	D (1, 0)	---	D (X, 0)	---	D (1022, 0)	D (1023, 0)
D (0, 1)	D (1, 1)	---	D (X, 1)	---	D (1022, 1)	D (1023, 1)
⋮	⋮	+-	⋮	+-	⋮	⋮
D (0, Y)	D (1, Y)	---	D (X, Y)	---	D (1022, Y)	D (1023, Y)
⋮	⋮	+-	⋮	+-	⋮	⋮
D (0, 766)	D (1, 766)	---	D (X, 766)	---	D (1022, 766)	D (1023, 766)
D (0, 767)	D (1, 767)	---	D (X, 767)	---	D (1022, 767)	D (1023, 767)

METHOD OF CONNECTION FOR THC63LVDF63A

		System side ←		→ LCD module side									
		TRANSMITTER		I/F CN		RECIVER							
		pin	THC63LVDF8A	pin	CN1	pin	THC63LVD84A						
Odd pixel data and control data	RA	→ 51	TA0		1	N.C.		RA0	27	→	RA2		
	RA	→ 52	TA1		2	N.C.		RA1	29	→	RA3		
	RA	→ 54	TA2		3	GND		RA2	30	→	RA4		
	RA	→ 55	TA3		4	GND		RA3	32	→	RA5		
	RA	→ 56	TA4	TA-	48	→ 5	DA0-	→ 9	RA-	RA4	33	→	RA6
	RA	→ 3	TA5	TA+	47	→ 6	DA0+	→ 10	RA+	RA5	35	→	RA7
	GA2	→ 4	TA6			7	GND		RA6	37	→	GA2	
	GA3	→ 6	TB0	TB-	46	→ 8	DA1-	→ 11	RB-	RB0	38	→	GA3
	GA4	→ 7	TB1	TB+	45	→ 9	DA1+	→ 12	RB+	RB1	39	→	GA4
	GA5	→ 11	TB2			10	GND			RB2	43	→	GA5
	GA6	→ 12	TB3	TC-	42	→ 11	DA2-	→ 15	RC-	RB3	45	→	GA6
	GA7	→ 14	TB4	TC+	41	→ 12	DA2+	→ 16	RC+	RB4	46	→	GA7
	BA2	→ 15	TB5			13	GND			RB5	47	→	BA2
	BA3	→ 19	TB6	TCLK-	40	→ 14	CKA-	→ 17	RCLK-	RB6	51	→	BA3
	BA4	→ 20	TC0	TCLK+	39	→ 15	CKA+	→ 18	RCLK+	RC0	53	→	BA4
	BA5	→ 22	TC1			16	GND			RC1	54	→	BA5
	BA6	→ 23	TC2	TD-	38	→ 17	DA3-	→ 19	RD-	RC2	55	→	BA6
	BA7	→ 24	TC3	TD+	37	→ 18	DA3+	→ 20	RD+	RC3	1	→	BA7
	Hsync	→ 27	TC4			19	GND			RC4	3	→	Hsync
	Vsync	→ 28	TC5			20	Reserved			RC5	5	→	Vsync
	DE	→ 30	TC6							RC6	6	→	DE
	RA0	→ 50	TD0							RD0	7	→	RA0
	RA1	→ 2	TD1							RD1	34	→	RA1
	GA0	→ 8	TD2							RD2	41	→	GA0
	GA1	→ 10	TD3							RD3	42	→	GA1
	BA0	→ 16	TD4							RD4	49	→	BA0
	BA1	→ 18	TD5							RD5	50	→	BA1
	RSVD	→ 25	TD6							RD6	2	→	RSVD
	CLK	→ 31	CLKIN			pin	CN2		CLKOUT	26	→	CLKA	
	Even pixel data	RB2	→ 51	TA0		1	N.C.			RA0	27	→	RB2
		RB3	→ 52	TA1		2	N.C.			RA1	29	→	RB3
RB4		→ 54	TA2		3	GND			RA2	30	→	RB4	
RB5		→ 55	TA3		4	GND			RA3	32	→	RB5	
RB6		→ 56	TA4	TA-	48	→ 5	DB0-	→ 9	RA-	RA4	33	→	RB6
RB7		→ 3	TA5	TA+	47	→ 6	DB0+	→ 10	RA+	RA5	35	→	RB7
GB2		→ 4	TA6			7	GND			RA6	37	→	GB2
GB3		→ 6	TB0	TB-	46	→ 8	DB1-	→ 11	RB-	RB0	38	→	GB3
GB4		→ 7	TB1	TB+	45	→ 9	DB1+	→ 12	RB+	RB1	39	→	GB4
GB5		→ 11	TB2			10	GND			RB2	43	→	GB5
GB6		→ 12	TB3	TC-	42	→ 11	DB2-	→ 15	RC-	RB3	45	→	GB6
GB7		→ 14	TB4	TC+	41	→ 12	DB2+	→ 16	RC+	RB4	46	→	GB7
BB2		→ 15	TB5			13	GND			RB5	47	→	BB2
BB3		→ 19	TB6	TCLK-	40	→ 14	CKB-	→ 17	RCLK-	RB6	51	→	BB3
BB4		→ 20	TC0	TCLK+	39	→ 15	CKB+	→ 18	RCLK+	RC0	53	→	BB4
BB5		→ 22	TC1			16	GND			RC1	54	→	BB5
BB6		→ 23	TC2	TD-	38	→ 17	DB3-	→ 19	RD-	RC2	55	→	BB6
BB7		→ 24	TC3	TD+	37	→ 18	DB3+	→ 20	RD+	RC3	1	→	BB7
RSVD		→ 27	TC4			19	GND			RC4	3	→	RSVD
RSVD		→ 28	TC5			20	Reserved			RC5	5	→	RSVD
RSVD		→ 30	TC6			21	Reserved			RC6	6	→	RSVD
RB0		→ 50	TD0			22	Reserved			RD0	7	→	RB0
RB1		→ 2	TD1			23	Reserved			RD1	34	→	RB1
GB0		→ 8	TD2			24	GND			RD2	41	→	GB
GB1		→ 10	TD3			25	GND			RD3	42	→	GB
BB0		→ 16	TD4			26	GND			RD4	49	→	BB0
BB1		→ 18	TD5			27	N.C.			RD5	50	→	BB1
RSVD		→ 25	TD6			28	VDD:12V			RD6	2	→	RSVD
CLK		→ 31	CLKIN			29	VDD:12V			CLKOUT	26	→	CLKB
						30	VDD:12V						

Notes 1. 100 twist pair.

DISPLAY COLORS vs. INPUT DATA SIGNALS

Display colors		Data signal(0: Low level, 1: High level)																							
		RA7	RA6	RA5	RA4	RA3	RA2	RA1	RA0	GA7	GA6	GA5	GA4	GA3	GA2	GA1	GA0	BA7	BA6	BA5	BA4	BA3	BA2	BA1	BA0
		RB7	RB6	RB5	RB4	RB3	RB2	RB1	RB0	GB7	GB6	GB5	GB4	GB3	GB2	GB1	GB0	BB7	BB6	BB5	BB4	BB3	BB2	BB1	BB0
Basic colors	Black	0	0	0	0	0	0	0	0	0	0	0	0	0	0	0	0	0	0	0	0	0	0	0	0
	Blue	0	0	0	0	0	0	0	0	0	0	0	0	0	0	0	0	1	1	1	1	1	1	1	1
	Red	1	1	1	1	1	1	1	1	0	0	0	0	0	0	0	0	0	0	0	0	0	0	0	0
	Magenta	1	1	1	1	1	1	1	1	0	0	0	0	0	0	0	0	1	1	1	1	1	1	1	1
	Green	0	0	0	0	0	0	0	0	1	1	1	1	1	1	1	1	0	0	0	0	0	0	0	0
	Cyan	0	0	0	0	0	0	0	0	1	1	1	1	1	1	1	1	1	1	1	1	1	1	1	1
	Yellow	1	1	1	1	1	1	1	1	1	1	1	1	1	1	1	1	0	0	0	0	0	0	0	0
	White	1	1	1	1	1	1	1	1	1	1	1	1	1	1	1	1	1	1	1	1	1	1	1	1
Red grayscale	Black	0	0	0	0	0	0	0	0	0	0	0	0	0	0	0	0	0	0	0	0	0	0	0	0
	dak	0	0	0	0	0	0	0	1	0	0	0	0	0	0	0	0	0	0	0	0	0	0	0	0
	:	:	:	:	:	:	:	:	:	:	:	:	:	:	:	:	:	:	:	:	:	:	:	:	
	bright	1	1	1	1	1	1	0	1	0	0	0	0	0	0	0	0	0	0	0	0	0	0	0	0
	Red	1	1	1	1	1	1	1	1	0	0	0	0	0	0	0	0	0	0	0	0	0	0	0	0
Green grayscale	Black	0	0	0	0	0	0	0	0	0	0	0	0	0	0	0	0	0	0	0	0	0	0	0	0
	dak	0	0	0	0	0	0	0	0	0	0	0	0	0	0	1	0	0	0	0	0	0	0	0	0
	:	:	:	:	:	:	:	:	:	:	:	:	:	:	:	:	:	:	:	:	:	:	:	:	
	bright	0	0	0	0	0	0	0	0	1	1	1	1	1	1	0	1	0	0	0	0	0	0	0	0
	Green	0	0	0	0	0	0	0	0	1	1	1	1	1	1	1	1	0	0	0	0	0	0	0	0
Blue grayscale	Black	0	0	0	0	0	0	0	0	0	0	0	0	0	0	0	0	0	0	0	0	0	0	0	0
	dak	0	0	0	0	0	0	0	0	0	0	0	0	0	0	0	0	0	0	0	0	0	0	0	1
	:	:	:	:	:	:	:	:	:	:	:	:	:	:	:	:	:	:	:	:	:	:	:	:	
	bright	0	0	0	0	0	0	0	0	0	0	0	0	0	0	0	0	1	1	1	1	1	1	0	1
	Blue	0	0	0	0	0	0	0	0	0	0	0	0	0	0	0	0	1	1	1	1	1	1	1	1

Note Colors are developed in combination with 8-bit signals (256 step in grayscale) of each primary red, green, and blue color.

This process can result in up to 16,777,216 (256 x 256 x 256) colors.

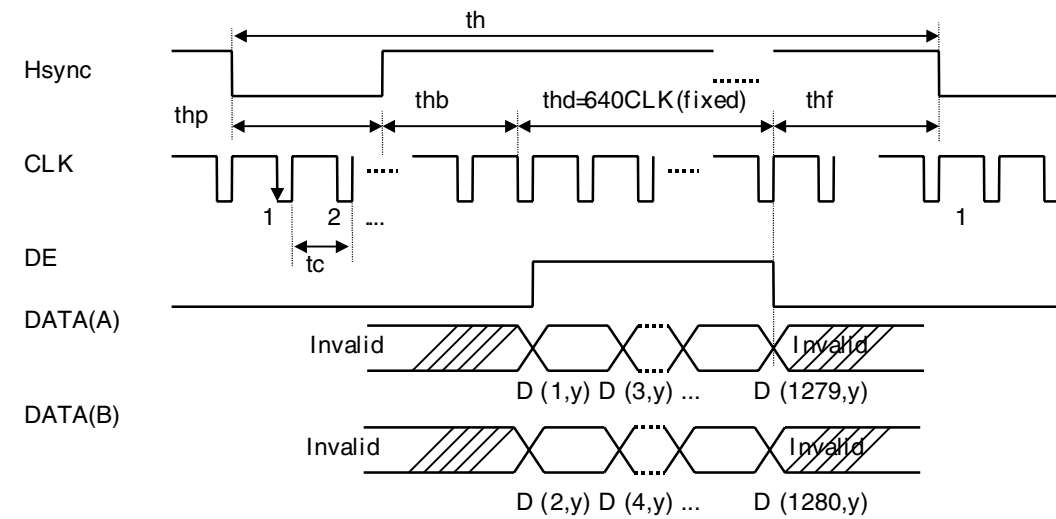
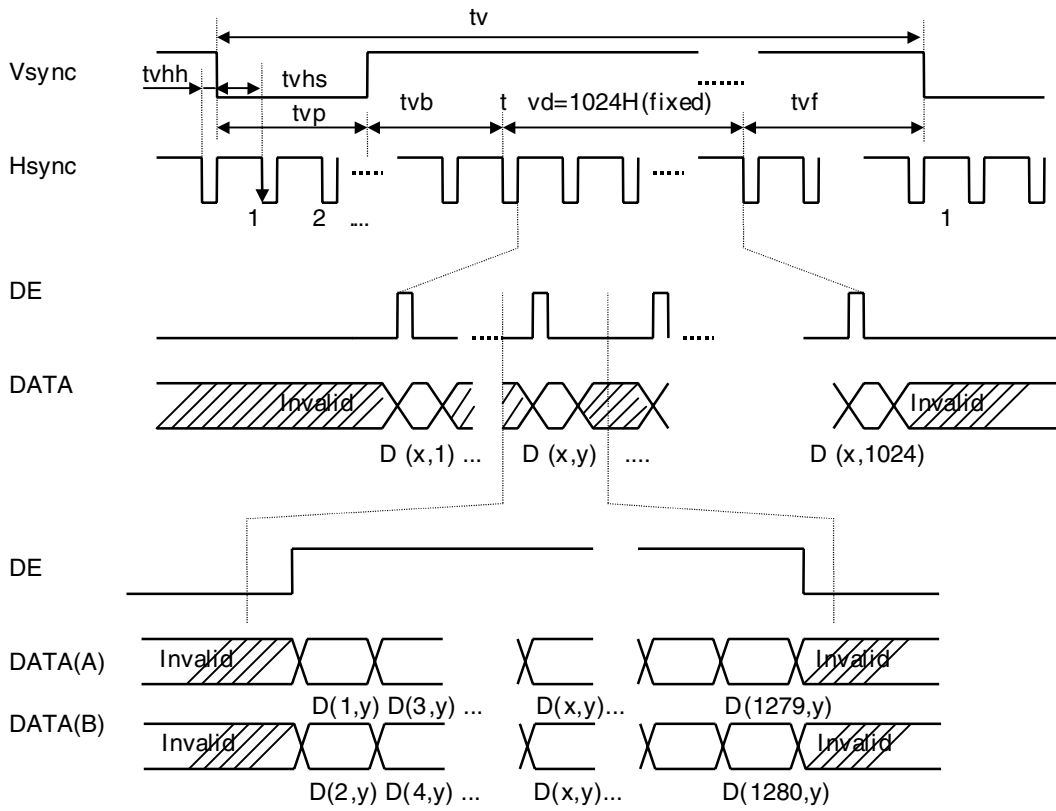
INPUT SIGNAL TIMING

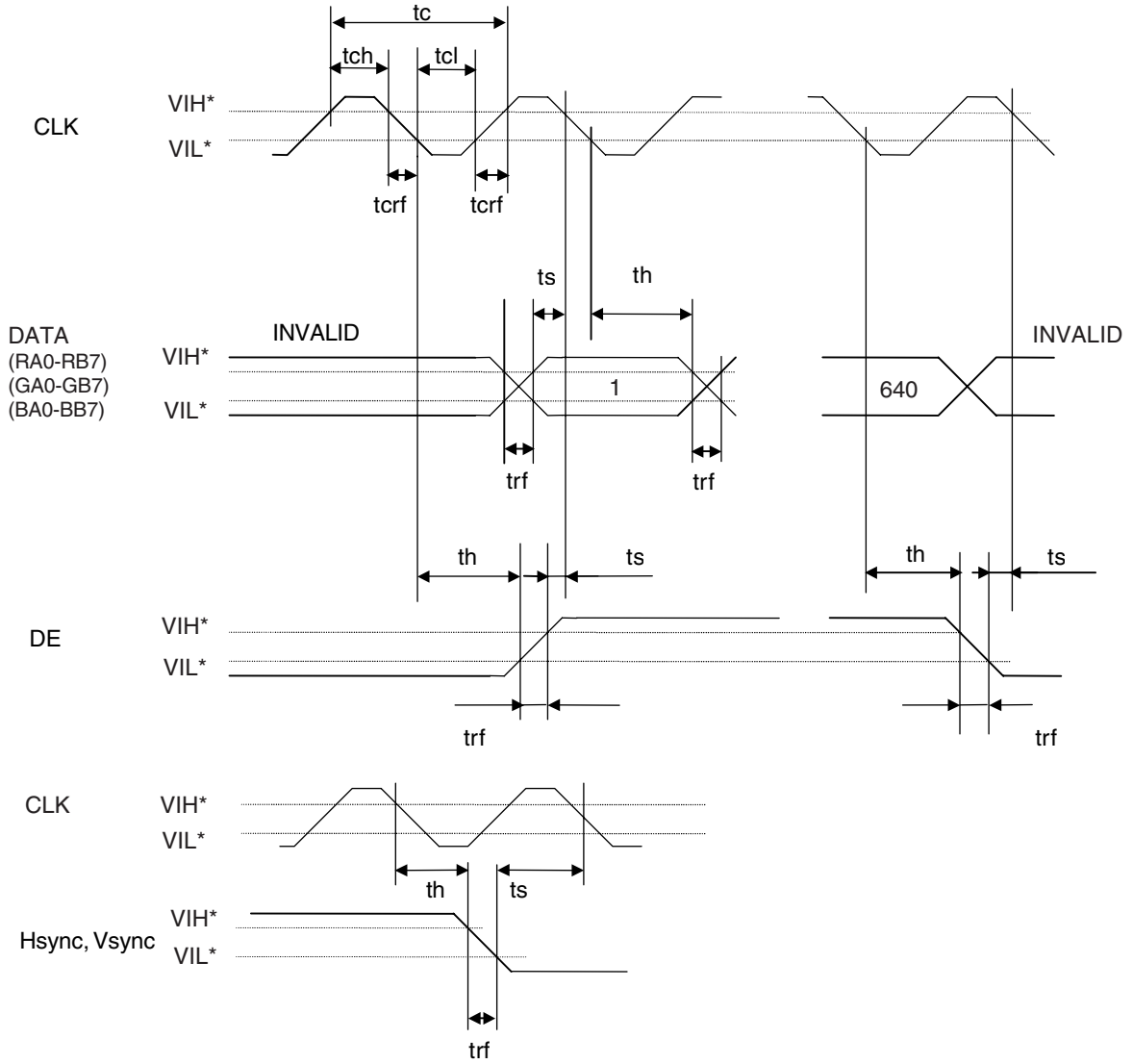
(1) Input signal specifications for LCD controller

	Parameters		Symbols	Min.	Typ.	Max.	Unit	Remarks
CLK	Frequency	Vf =75Hz	1/ tc	65.0	67.5	70.0	MH z	-
				-	14.815	-	ns	
		Vf =60Hz		51.5	54.0	56.5	MH z	-
				-	18.52	-	ns	
	Duty		tc/tcl	Note 1			-	-
	Rise, fall		trf				ns	-
Hsync	Period	Vf =75Hz	th	(12.3)	12.504	-	s	Typ=80.0kHz
				(750)	844	-	CLK	
		Vf =60Hz		(12.3)	15.630	-	s	Typ=64.0kHz
				(750)	844	-	CLK	
	Display period		thd	-	640	-	CLK	-
	Front-porch		thf	-	-	-	CLK	-
	Pulse width	Vf =75Hz	thp *	-	72	-	CLK	-
		Vf =60Hz		-	56	-	CLK	-
Back-porch		thb *	-	124	-	CLK	-	
		* thp + thb	(110)	-	-	CLK	-	
Vsync	Period	Vf =75Hz	tv	-	13.329	-	ms	Typ=75.0Hz
				(1027)	1066	-	H	
		Vf =60Hz		-	16.661	-	ms	Typ=60.0Hz
				(1027)	1066	-	H	
	Display period		tvd	-	1024	-	H	-
	Front-porch		tvf *	-	1	-	H	-
	Pulse width		tvp *	-	3	-	H	-
	Back-porch		tvb *	-	38	-	H	-
			* tvp + tvb + tvf	(1980)	-	-	CLK	-
Vsync-Hsync timing		tvhs	1	-	-	CLK	-	
Hsync-Vsync timing		tvhh	1	-	-	CLK	-	
DATA	DATA-CLK (Set up)		ts	Note 1			ns	-
	CLK-DATA (Hold)		th				ns	-
	Rise, fall		trf				ns	-

Note These values are in the timing regulation of THC63LVDM83A (THine).
 The product equivalent to THC63LVDM83A (THine) is recommended to the input of LVDS transmitter.
 The Timing regulation prescribes in the input of the LVDS transmitter.

(2) Definition of input signal timing

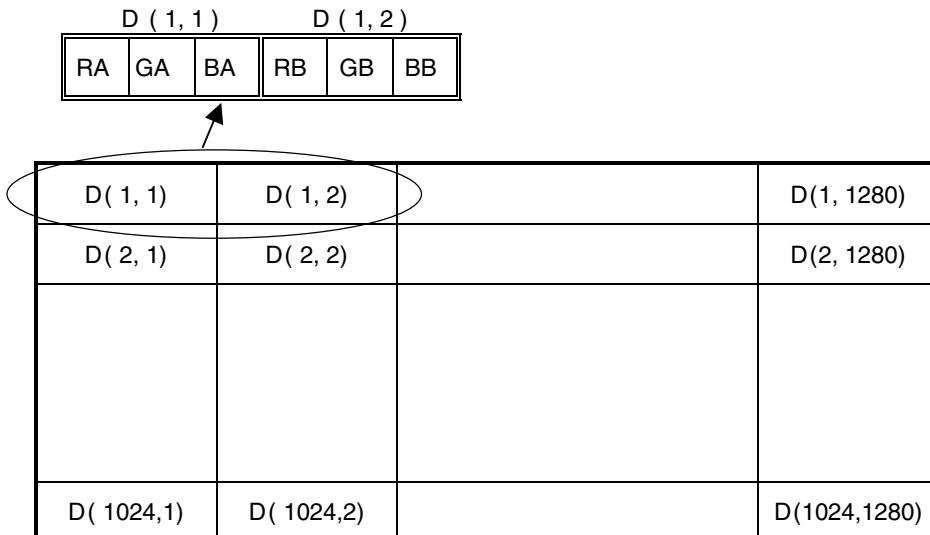




* 1: Refer to the specification of LVDS manufacture for the detail timing design.

(3) Display positions of input data

Odd Pixel: RA = R DATA Even Pixel: RB = R DATA
 Odd Pixel: GA = G DATA Even Pixel: GB = G DATA
 Odd Pixel: BA = B DATA Even Pixel: BB = B DATA



Memo

Intentionally blank

OPTICAL CHARACTERISTICS

($T_a = 25^\circ\text{C}$, $V_{DD} = 12\text{ V}$, $V_{DDB} = 12\text{ V}$)

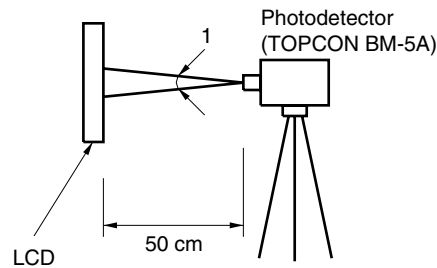
Parameter	Symbol	Condition	MIN.	TYP.	MAX.	Unit	Remark
Luminance	Lumax	"White"	150	200	–	cd/m ²	Note 1
Contrast ratio	CR	$X = \pm 0^\circ$, $Y = \pm 0^\circ$, at center	150	250	–	–	Note 2
Luminance uniformity	–	Maximum luminance	–	1.1	1.30	–	Note 3

Reference data

($T_a = 25^\circ\text{C}$, $V_{DD} = 12\text{ V}$, $V_{DDB} = 12\text{ V}$)

Parameter	Symbol	Condition	MIN.	TYP.	MAX.	Unit	Remark	
Chromaticity Coordinate		$Y = \pm 0^\circ$ $X = \pm 0^\circ$	–		–	–		
Viewing angle range	Horizontal	X+	$CR > 10$, $Y = \pm 0^\circ$	70	85	–	deg.	Note 4
		X–	$CR > 10$, $Y = \pm 0^\circ$	70	85	–	deg.	
	Vertical	Y+	$CR > 10$, $X = \pm 0^\circ$	70	85	–	deg.	
		Y–	$CR > 10$, $X = \pm 0^\circ$	70	85	–	deg.	
Color gamut	C	To NTSC	50	60	–	%	–	
Response time	ton	White to black	–	45	TBD	ms	Note 5	
	toff	Black to white	–	35	TBD			

Notes 1. The luminance is measured after 20 minutes from the module works, with all pixels in white. Typical value is measured after luminance saturation.

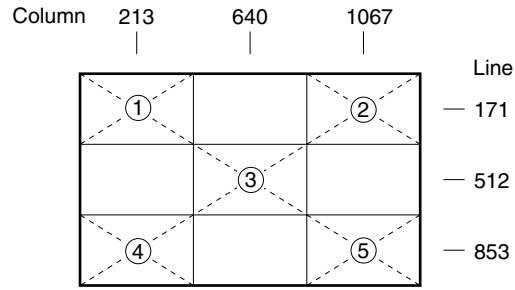


2. The contrast ratio is calculated by using the following formula.

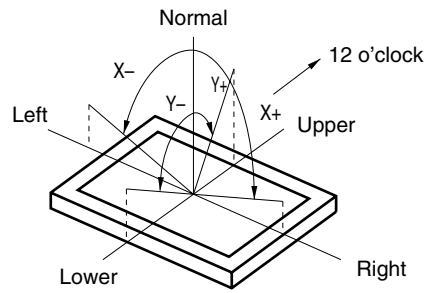
$$\text{Contrast ratio (CR)} = \frac{\text{Luminance with all pixels in white}}{\text{Luminance with all pixels in black}}$$

The Luminance is measured in darkroom.

3. The luminance is measured at near the five points shown below.

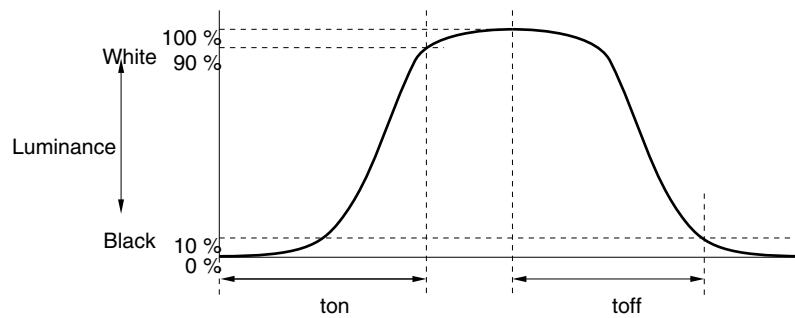


4. Definitions of viewing angle are as follows.



5. Definition of response time is as follows.

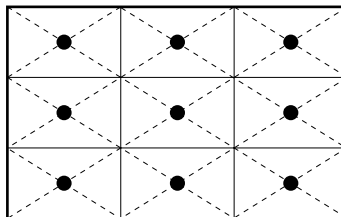
Photo-detector output signal is measured when the luminance changes “white” to “black” or “black” to “white”.



RELIABILITY TEST


Test item	Test condition
High temperature/humidity operation Note 1	60 ± 2°C, 60% relative humidity 240 hours Display data is black.
Heat cycle (operation) Note 1	<1> 0°C ± 3°C ... 1 hour 55°C ± 3°C ... 1 hour <2> 50 cycles, 4 hours/cycle <3> Display data is black.
Thermal shock (non-operation) Note 1	<1> -20°C ± 3°C ... 30 minutes 60°C ± 3°C ... 30 minutes <2> 100 cycles <3> Temperature transition time within 5 minutes
Vibration (non-operation) Notes 1, 2	<1> 5 - 100 Hz, 1.2G 1 minute/cycle X, Y, Z direction <2> 50 times each direction
Mechanical shock (non-operation) Notes 1, 2	<1> 30 G, 11 ms X, Y, Z direction <2> 3 times each direction
ESD (operation) Notes 1, 3	150 pF, 150 , ±10 kV 9 places on a panel 10 times each place at one-second intervals
Dust (operation) Note 1	15 kinds of dust (JIS Z 8901) Hourly 15 seconds stir, 8 times repeat


- Notes**
1. Display function is checked by the same condition as LCD module out-going inspection.
 2. Physical damage.
 3. Discharge points “z” are shown in the figure.




GENERAL CAUTIONS


Next figures and sentence are very important. Please understand these contents as follows.


	CAUTION This figure is a mark that you will get hurt and/or the module will have damages when you make a mistake to operate.
---	--

	This figure is a mark that you will get an electric shock when you make a mistake to operate.
---	---

	This figure is a mark that you will get hurt when you make a mistake to operate
---	---

 CAUTION

	Do not touch an inverter, on which is stuck a caution label, while the LCD module is under the operation, because of dangerous high voltage.
---	--

- (1) Caution when taking out the module
 - a) Pick the pouch only, in taking out module from a carrier box.
- (2) Cautions for handling the module
 - a) As the electrostatic discharges may break the LCD module, handle the LCD module with care against electrostatic discharges.
 - b)  As the LCD panel and backlight element are made from fragile glass material, impulse and pressure to the LCD module should be avoided.
 - c) As the surface of polarizer is very soft and easily scratched, use a soft dry cloth without chemicals for cleaning.
 - d) Do not pull the interface connectors in or out while the LCD module is operating.
 - e) Put the module display side down on a flat horizontal plane.
 - f) Handle connectors and cables with care.
 - g) When the module is operating, do not lose CLK, Hsync or Vsync signal. If any one of these signals is lost, the LCD panel would be damaged.
 - h) The torque to mounting screw should never exceed 0.392 N·m (4 kgf·cm).
- (3) Cautions for the atmosphere
 - a) Dew drop atmosphere should be avoided.
 - b) Do not store and/or operate the LCD module in a high temperature and/or high humidity atmosphere. Storage in an anti-static pouch and under the room temperature atmosphere is recommended.
 - c) This module uses cold cathod fluorescent lamp. Therefore, the life time of lamp becomes short if the module is operated under the low temperature environment.
 - d) Do not operate the LCD module in a high magnetic field.

(4) Caution for the module characteristics

- a) Do not apply fixed pattern data signal for a long time to the LCD module. It may cause image sticking. Please use screen savers if the display pattern is fixed more than one hour.
- b) This module has the retardation film which may cause the variation of the color hue in the different viewing angles. The nonuniformity may appear on the screen under the high temperature operation.
- c) The light vertical stripe may be observed depending on the display pattern. This is not defects or malfunctions.
- d) The noise from the inverter circuit may be observed in the luminance control mode. This is not defects or malfunctions.

(5) Other cautions

- a) Do not disassemble and/or reassemble LCD module.
- b) Do not readjust variable resistors or switches in the module.
- c) When returning the module for repair or etc, please pack the module properly to avoid any damages. We recommend using the original shipping packages.
- d) In case that the scan converter is used to convert VGA signal to NTSC, it is recommended using the frame-memory type, not the line-memory.

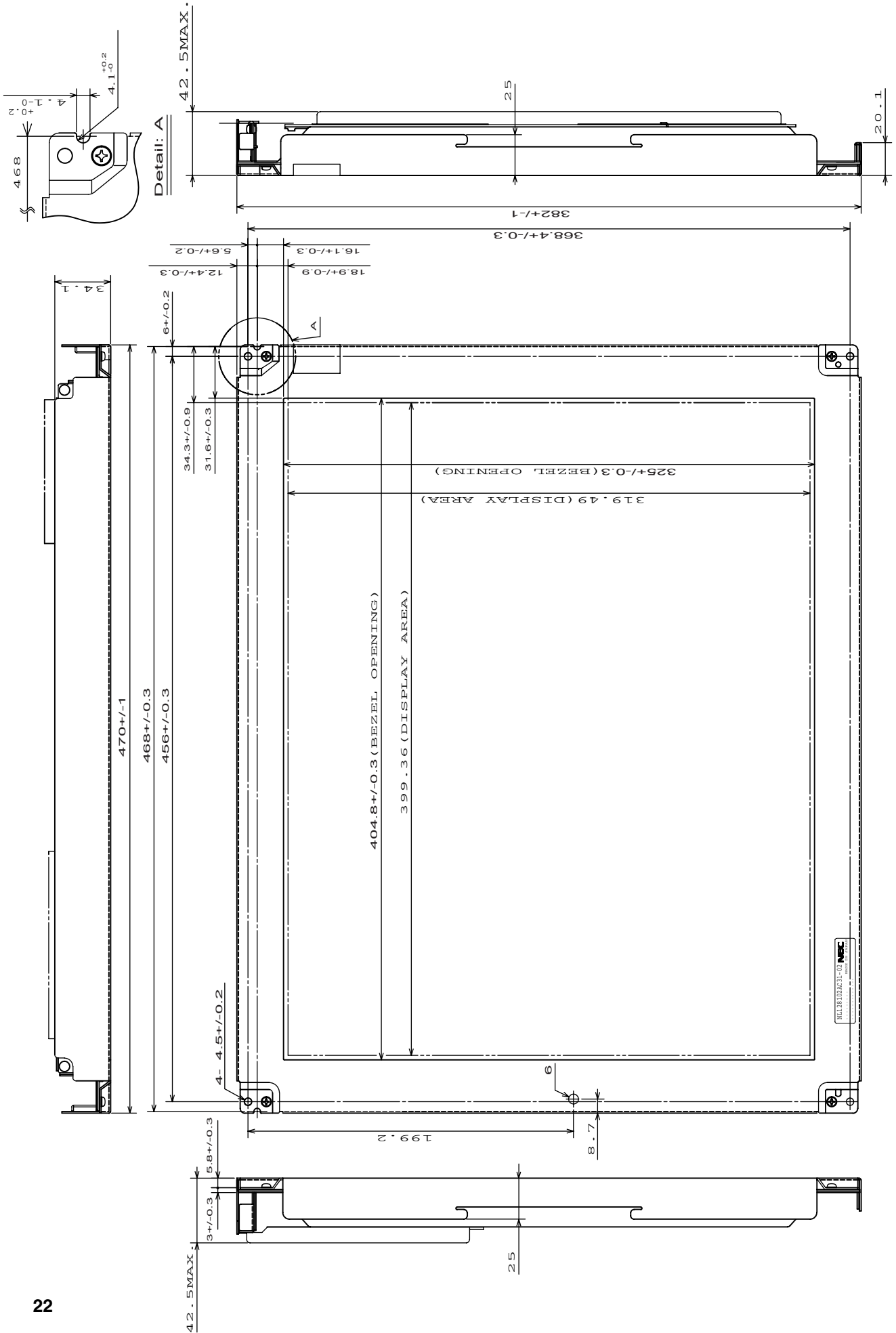
Liquid Crystal Display has the following specific characteristics. There are not defects or malfunctions.

The optical characteristics of this module may be affected by the ambient temperature.

This module has cold cathode tube for backlight. Optical characteristics, like luminance or uniformity, will be changed by the progress in time.

Uneven brightness and/or small spots may be observed depending on different display patterns.

OUTLINE DRAWING (1/2): Front View (Unit: mm)



Note 1: The dimensions without tolerances are $\pm 0.5 \text{ mm}$.
 Note 2: The torque for mounting screws should never exceed $0.392 \text{ N}\cdot\text{m}$ ($4 \text{ kgf}\cdot\text{cm}$).

No part of this document may be copied or reproduced in any form or by any means without the prior written consent of NEC Corporation. NEC Corporation assumes no responsibility for any errors which may appear in this document.

NEC Corporation does not assume any liability for infringement of patents. Copyrights or other intellectual property rights of third parties by or arising from use of a device described herein or any other liability arising from use of such device. No license, either express, implied or otherwise, is granted under any patents, copyrights or other intellectual property rights of NEC Corporation or others.

While NEC Corporation has been making continuous effort to enhance the reliability of its Electronic Components, the possibility of defects cannot be eliminated entirely. To minimize risks of damage or injury to persons or property arising from a defect in an NEC Electronic Components, customers must incorporate sufficient safety measures in its design, such as redundancy, fire-containment, and anti-failure features.

NEC devices are classified into the following three quality grades:

“Standard”, “Special”, and “Specific”. The Specific quality grade applies only to devices developed based on a customer designated “quality assurance program” for a specific application. The recommended applications of a device depend on its quality grade, as indicated below. Customers must check the quality grade of each device before using it in a particular application.

Standard: Computers, office equipment, communications equipment, test and measurement equipment, audio and visual equipment, home electronic appliances, machine tools, personal electronic equipment and industrial robots

Special: Transportation equipment (automobiles, trains, ships, etc.), traffic control systems, anti-disaster systems, anti-crime systems, safety equipment and medical equipment (not specifically designed for life support)

Specific: Aircrafts, aerospace equipment, submersible repeaters, nuclear reactor control systems, life support systems or medical equipment for life support, etc.

The quality grade of NEC devices is “Standard” unless otherwise specified in NEC’s Data Sheets or Data Books. If customers intend to use NEC devices for applications other than those specified for Standard quality grade, they should contact an NEC sales representative in advance.

Anti-radioactive design is not implemented in this product.