



**ELECTRONICS, INC.**  
 44 FARRAND STREET  
 BLOOMFIELD, NJ 07003  
 (973) 748-5089  
<http://www.nteinc.com>

## NTE1102 Integrated Circuit 3 Stage Audio Amplifier

**Features:**

- Recommended for Driver of Push-Pull Output Stage
- Possible to Drive 4 Watt Output Stage
- Wide Range of Supply Voltage

**Absolute Maximum Ratings:** ( $T_A = +25^\circ\text{C}$  unless otherwise specified)

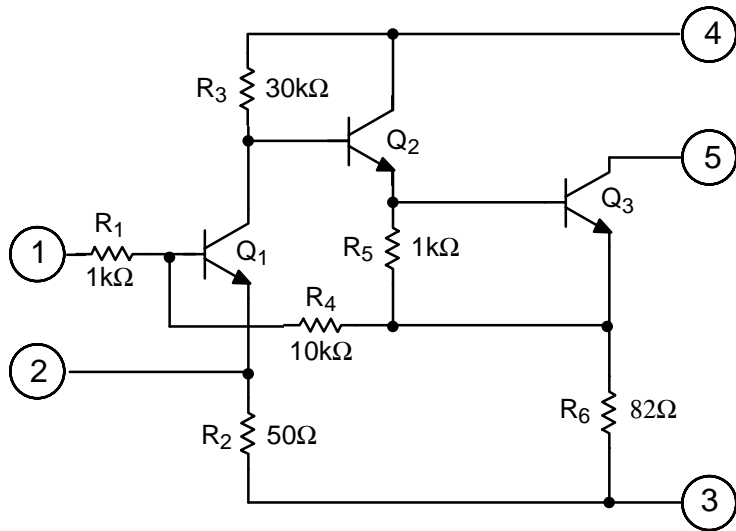
Supply Voltage, $V_{CC}$ .....	20V
Source Current, $I_{CC}$ .....	15mA
Internal Power Dissipation, $P_T$ .....	300mW
Input Voltage, $V_{IN}$ .....	$\pm 3V$
Operating Temperature Range, $T_{opr}$ .....	$-30^\circ$ to $+75^\circ\text{C}$
Storage Temperature Range, $T_{stg}$ .....	$-55^\circ$ to $+125^\circ\text{C}$

**Electrical Characteristics:** ( $T_A = +25^\circ\text{C}$ ,  $V_{CC} = 10V$  unless otherwise specified)

Parameter	Symbol	Test Conditions	Min	Typ	Max	Unit
Collector Current	$I_{c5}$		–	10	–	mA
Output Power	$P_{OUT}$	$f = 1\text{kHz}$ , $Z_L = 1\text{k}\Omega$ , $KF = 5\%$	–	30	–	mW
Voltage Gain	$G_V$	$f = 1\text{kHz}$ , $Z_L = 1\text{k}\Omega$	40	–	–	dB
Input Resistance	$R_{IN}$	$f = 1\text{kHz}$ , $Z_L = 1\text{k}\Omega$	–	1.0		k $\Omega$
Output Resistance	$R_{OUT}$	$f = 1\text{kHz}$	10	–	–	k $\Omega$



### Equivalent Circuit



### Pin Connection Diagram (Front View)

