



ELECTRONICS, INC.
44 FARRAND STREET
BLOOMFIELD, NJ 07003
(973) 748-5089

NTE110A Germanium Diode General Purpose

Features:

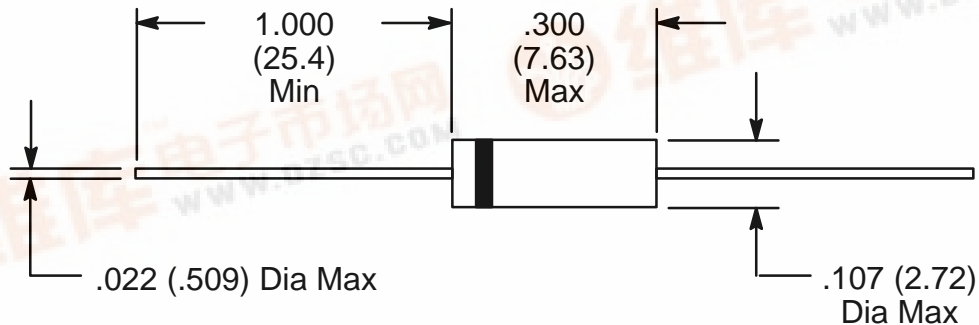
- Low Forward Voltage Drop
- Low Power Consumption
- Very Low Noise Level

Absolute Maximum Ratings: ($T_A = +25^\circ\text{C}$ unless otherwise specified)

Peak Reverse Voltage, P_{RV}	30V
Peak Forward Current, I_F	150mA
Average Power Dissipation, P_D	80mW
Operating Temperature Range, T_{opr}	-65° to $+85^\circ\text{C}$

Electrical Characteristics: ($T_A = +25^\circ\text{C}$ unless otherwise specified)

Parameter	Symbol	Test Conditions	Min	Typ	Max	Unit
Peak Reverse Voltage	P_{RV}	1mA	30	-	-	V
Inverse Current	I_r	10V	-	-	65	μA
Forward Voltage	V_f	5mA	-	-	1.0	V



Color Band Denotes Cathode

