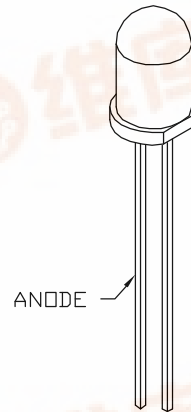
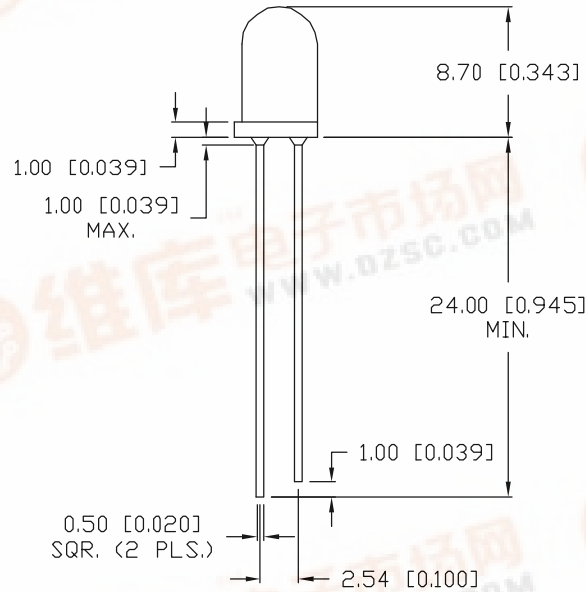
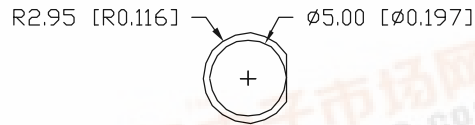


UNCONTROLLED DOCUMENT



PART NUMBER		REV.
OED-EL-1L2		D
REV.	E.C.N. NUMBER AND REVISION COMMENTS	DATE
A	REDRAWN.	11.24.93
B	CHG'D INTENSITY AND HALF ANGLE.	2.22.94
C	E.C.N. #10BRDR.	1.7.98
D	E.C.N. #10BRDR. & REDRAWN IN 3D.	12.31.02

ELECTRO-OPTICAL CHARACTERISTICS $T_A=25^\circ\text{C}$ $I_f=20\text{mA}$					
PARAMETER	MIN	TYP	MAX	UNITS	TEST COND
PEAK WAVELENGTH		940		nm	
SPECTRAL BANDWIDTH		45		nm	
FORWARD VOLTAGE		1.4	1.5	V_f	
REVERSE VOLTAGE	5.0			V_r	$I_r=10\mu\text{A}$
RADIANT INTENSITY		60		mW/SR	$I_f=100\text{mA}$
HALF ANGLE		± 30		degrees	
EPOXY LENS FINISH: WATER CLEAR					

LIMITS OF SAFE OPERATION AT 25°C		
PARAMETER	MAX	UNITS
PEAK FORWARD CURRENT*	1	A
STEADY CURRENT	100	mA
POWER DISSIPATION	150	mW
DERATE FROM 25°C	-1.2	mW/ $^\circ\text{C}$
OPERATING TEMP.	-25 TO +85	$^\circ\text{C}$
STORAGE TEMP.	-25 TO +100	$^\circ\text{C}$
SOLDERING TEMP.	+260	$^\circ\text{C}$
2.0mm FROM BODY		3 SEC. MAX

* $t_p < ? \mu\text{s}$, $t_p/T = ?$

*UNLESS OTHERWISE SPECIFIED TOLERANCES PER DECIMAL PRECISION ARE: X ± 1 (± 0.039), X.X ± 0.5 (± 0.020), X.XX ± 0.25 (± 0.010), X.XXX ± 0.127 (± 0.005). LEAD SIZE ± 0.05 (± 0.002), LEAD LENGTH ± 0.75 (± 0.030). MIN=^{+DECIMAL PRECISION}-0.00 MAX.=^{+DECIMAL PRECISION}-0.00

UNCONTROLLED DOCUMENT

PART NUMBER
OED-EL-1L2

CONFIDENTIAL INFORMATION
THE INFORMATION CONTAINED IN THIS DOCUMENT IS THE PROPERTY OF LUMEX INC. EXCEPT AS SPECIFICALLY AUTHORIZED IN WRITING BY LUMEX INC., THE HOLDER OF THIS DOCUMENT SHALL KEEP ALL INFORMATION CONTAINED HEREIN CONFIDENTIAL AND SHALL PROTECT SAME IN WHOLE OR IN PART FROM DISCLOSURE AND DISSEMINATION TO ALL THIRD PARTIES.



290 E. HELEN ROAD
PALATINE, IL 60067-6976
PHONE: +1.847.359.2790
US WEB: www.lumex.com
TW WEB: www.lumex.com.tw

RELIABILITY NOTE
OUR MANY YEARS OF EXPERIENCE DATA ACCUMULATION INDICATE THAT

DRAWN BY: CHECKED BY: APPROVED BY: DATE: 12.20.90



T=5mm, 940nm INFRARED EMITTING DIODE,