

OAK TECHNOLOGY[®]

FEATURES

- ◆ ATAPI (SFF-8020) standard support
- ◆ Supports CD-ROM disk speeds of 40x
- ◆ Unlimited host transfers up to 40x
- ◆ Pin and firmware compatible with the OTI-911LP
- ◆ Supports x8 or x16 FPM or EDO DRAM
- ◆ PIO Native Mode 4 support
- ◆ DMA Multiword Mode 2 support
- ◆ Reduced power consumption and EMI
- ◆ Memory interface supports industry-standard DRAMs (256K x 4, 256K x 8, 128K x 8, 64K x 16, 128K x 16, 256K x 16)
- ◆ Real-time error correction of up to 138 P and Q byte errors per block
- ◆ Segmented memory support for sophisticated caching schemes
- ◆ 100-pin PQFP

DESCRIPTION

Oak Technology's OTI-912 CD-ROM controller contains new features and enhancements required by tomorrow's ATAPI CD-ROM drives. Peak data rates required by the drive interface controller have increased dramatically due to a recent shift towards CAV (constant angular velocity) drives. The flexible architecture and features of the OTI-912 allow it to be used at peak data rates of up to 40x. This speed can be achieved while supporting the PIO Mode 4 and DMA Mode 2 timing requirements of a 120ns cycle time for an entire 31 block transfer. Use of the OTI-912 in existing 8-bit designs can provide an increase of over 400% in host throughput at peak disk speeds while using the same clock and DRAM speed. Designs with firmware are available that ease the task of implementing an ATAPI interface capable of handling the high data rates of a CAV drive.

The OTI-912 has advanced power management and EMI (electromagnetic interference) reduction features. It also has a programmable DRAM refresh rate and programmable I/O drive buffers on all of its major interfaces. This, in conjunction with a more efficient internal architecture and the OTI-912's ability to use a lower clock with 16-bit DRAM, provides a reduction in both power consumption and EMI when compared to the OTI-911LP.

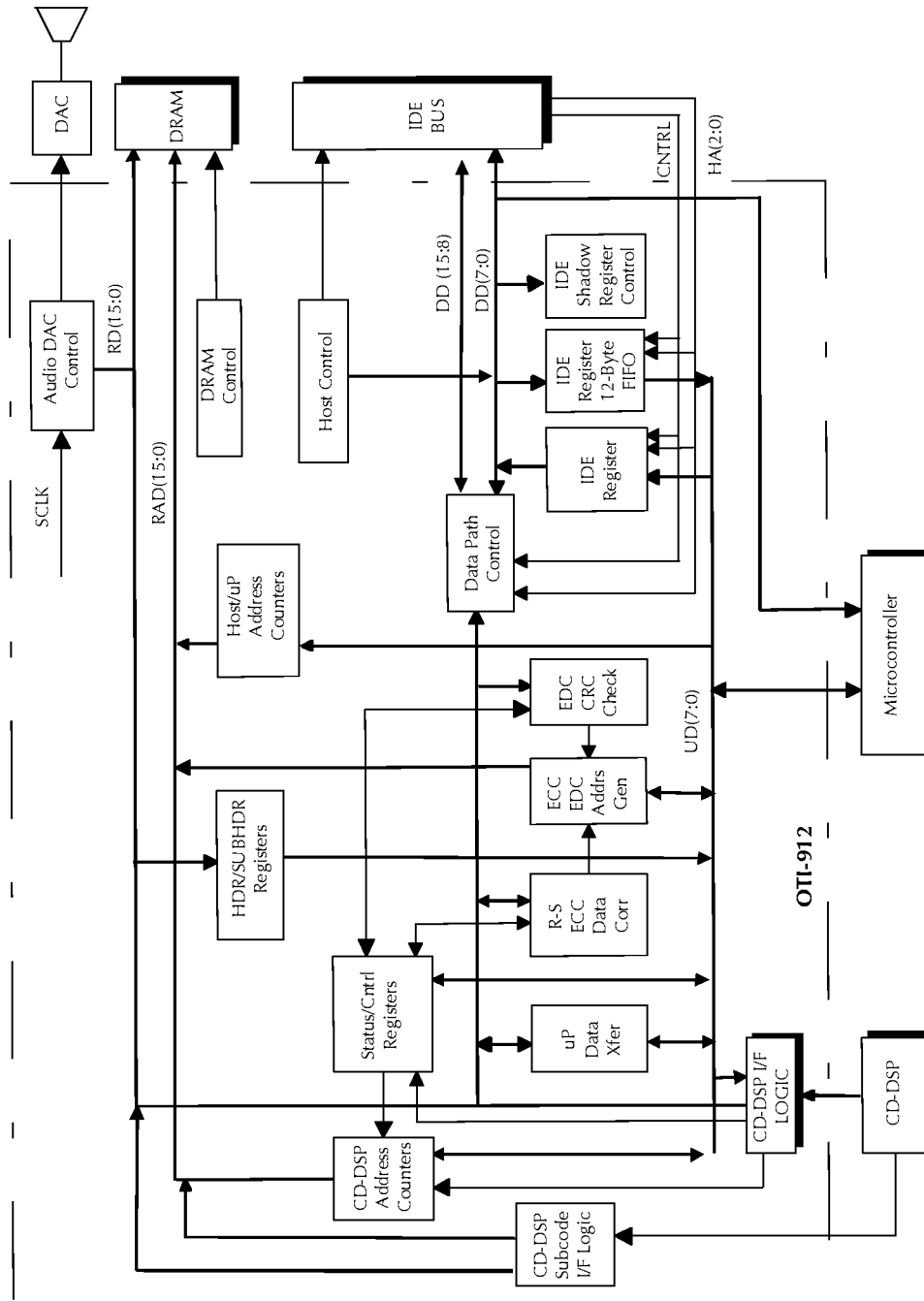
The OTI-912 performs simultaneous disk data buffering, real-time error correction, and 31 block transfers with 120ns cycle times to the host. This provides the fastest possible access to data because it is available from the DSP during transfers at peak disk speeds and after seeks. The ability to perform 31 block transfers with a 120ns cycle time provides ideal throughput over the IDE interface.

OTI-912

IDE CD-ROM Controller

OTI-912 Product Brief

Block Diagram



v.001
3/97

Oak Technology and the Oak logo are registered trademarks of Oak Technology. All other brands, product names and company names are trademarks or registered trademarks of their respective owners. The information in this document is believed to be reliable. However, Oak Technology, Inc. makes no guarantee or warranty concerning the accuracy of said information and shall not be responsible for any loss or damage of whatever nature resulting from the use of, or reliance upon it. Oak does not guarantee that the use of any information contained herein will not infringe upon patent, trademark, copyright, or rights of third parties. No patent or license is implied hereby. This document does not in any way extend the warranty on any product beyond that set forth in Oak's standard terms and conditions of sale. Oak Technology, Inc. reserves the right to make changes in the product or specifications, or both, presented in this publication at any time without notice.

Copyright © Each Manufacturing Company.

All Datasheets cannot be modified without permission.

This datasheet has been download from :

www.AllDataSheet.com

100% Free DataSheet Search Site.

Free Download.

No Register.

Fast Search System.

www.AllDataSheet.com