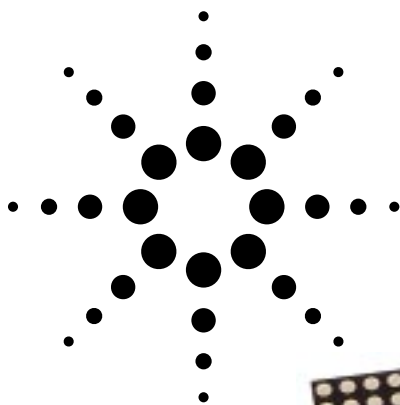


Agilent HDSP-S51E Series 27.4 mm (1.08 inch) General Purpose 5 x 7 Dot Matrix Alphanumeric Displays Data Sheet



Description

These displays have a 27.4 mm (1.08 inch) character height and use industry standard size and pin-out. The devices are available in either common row anode or common row cathode configurations. The displays come in only black face paint and are available in a choice of GaP Red (HER) or GaP

Green colors. The Bi-color display consists of GaP Red and Green colors.

These parts are subjected to Outgoing Quality Assurance (OQA) inspection with an AQL of 0.065% for functional and visual/cosmetic defects.

Features

- **5 x 7 Dot matrix font**
- **Stackable horizontally**
- **Industry standard pin-out**
 - 22.86 mm (0.9 in.) Dual-In-Line (DIP) leads on 2.54 mm (0.1 in.) centers
- **Choice of colors**
 - Single color: GaP Red or GaP Green
 - Bi-color: GaP Red and GaP Green
- **Face paint color: black**
- **Design flexibility**
 - Common row anode or common row cathode
- **Categorized for luminous intensity or luminance**
- **Green categorized for color**

Devices

GaP Red HDSP-	Green HDSP-	Description
S51E	S51G	27.4 mm Black Surface Common Row Anode
S56E	S56G	27.4 mm Black Surface Common Row Cathode
	B51Z	27.4 mm Black Surface Bi-Color Common Row Anode
	B56Z	27.4 mm Black Surface Bi-Color Common Row Cathode

Note:

1. For details, please contact your local Agilent components sales office or an authorized distributor.

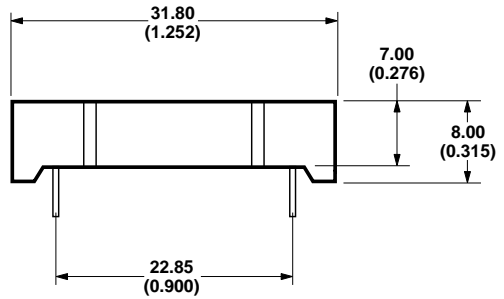
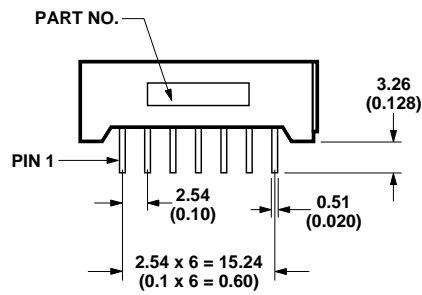
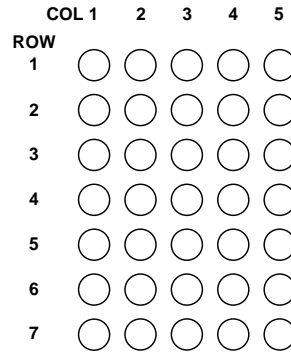
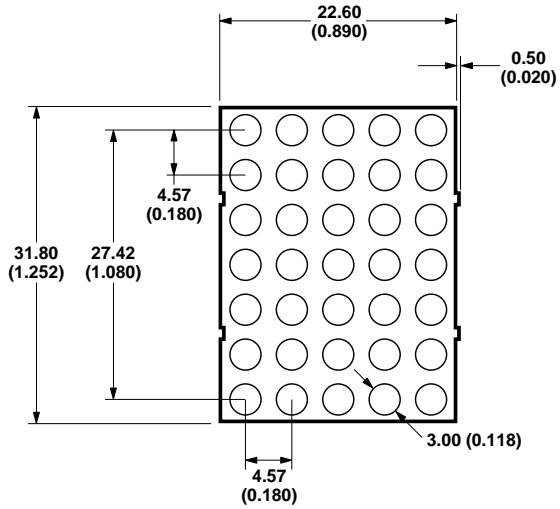
Applications

- **Suitable for indoor use**
- **Not recommended for industrial applications, i.e., operating temperature requirements exceeding 85°C or below -35°C**
- **Extreme temperature cycling not recommended^[1]**



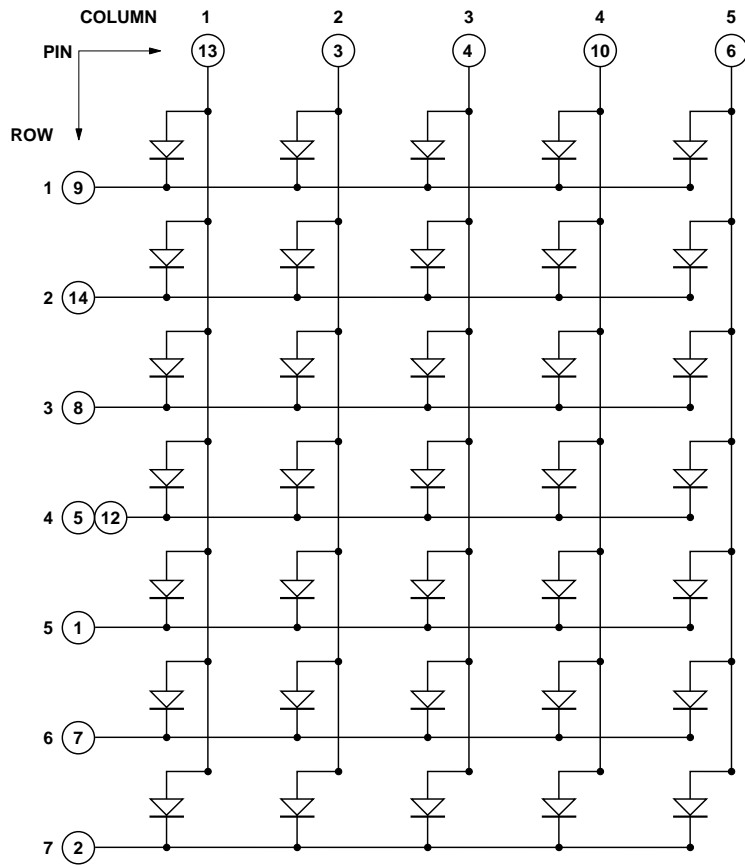
Package Dimensions

Single Color



Internal Circuit Diagram

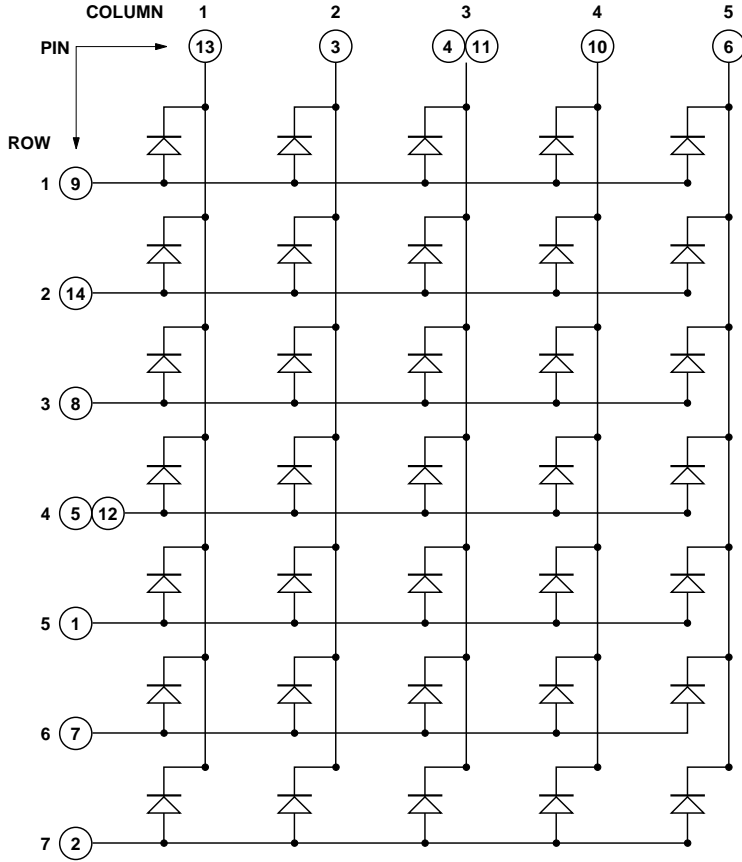
Common Row Cathode (Single Color)



PIN NO.	CONNECTION
1	ROW 5
2	ROW 7
3	COLUMN 2
4	COLUMN 3
5	ROW 4
6	COLUMN 5
7	ROW 6
8	ROW 3
9	ROW 1
10	COLUMN 4
11	COLUMN 3
12	ROW 4
13	COLUMN 1
14	ROW 2

Internal Circuit Diagram

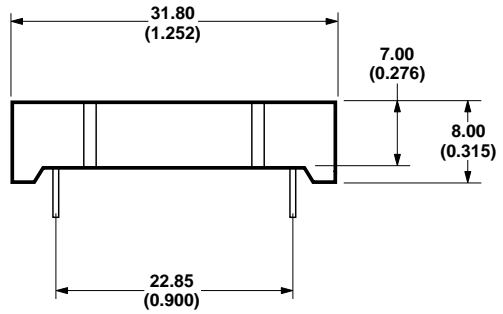
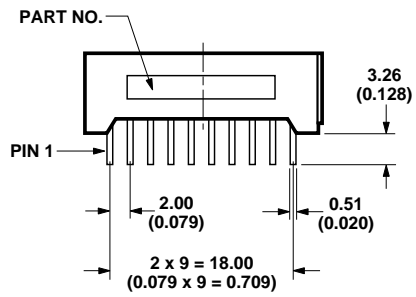
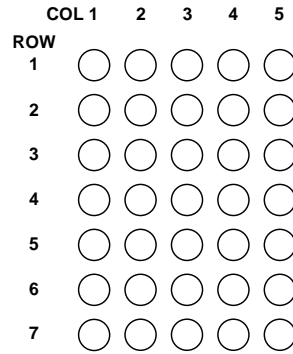
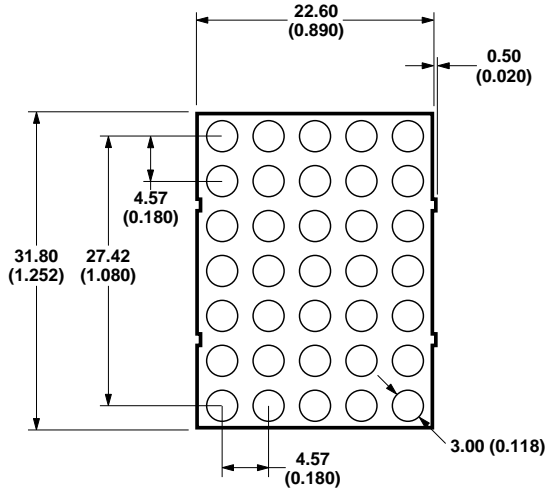
Common Row Anode (Single Color)



PIN NO.	CONNECTION
1	ROW 5
2	ROW 7
3	COLUMN 2
4	COLUMN 3
5	ROW 4
6	COLUMN 5
7	ROW 6
8	ROW 3
9	ROW 1
10	COLUMN 4
11	COLUMN 3
12	ROW 4
13	COLUMN 1
14	ROW 2

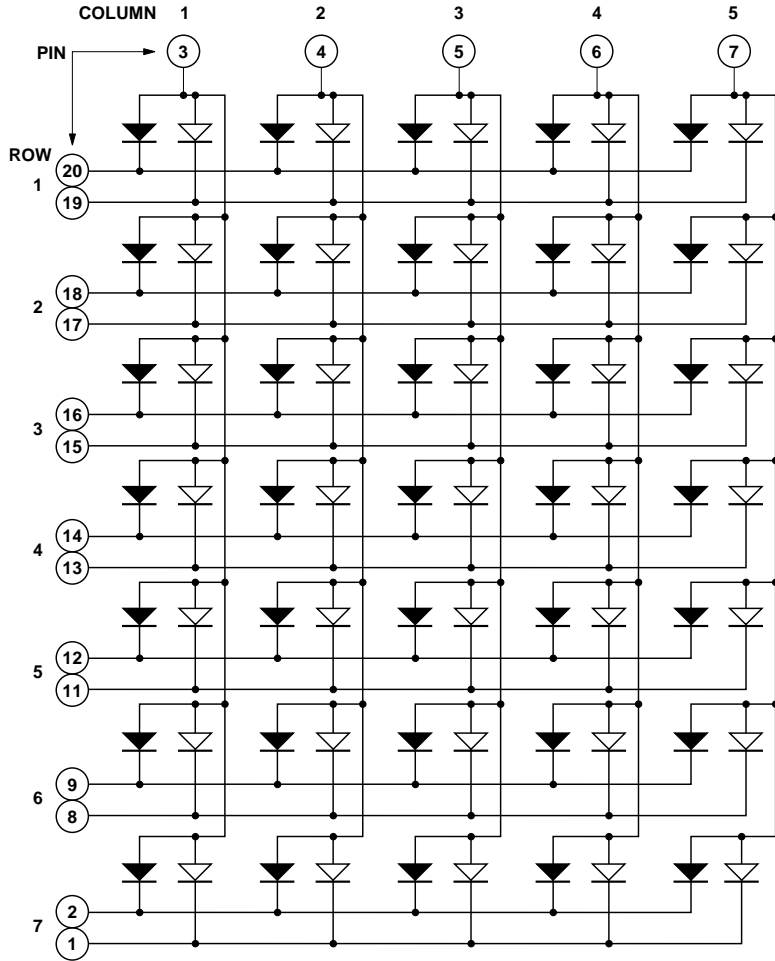
Package Dimensions

Bi-Color



Internal Circuit Diagram

Common Row Cathode (Bi-Color)



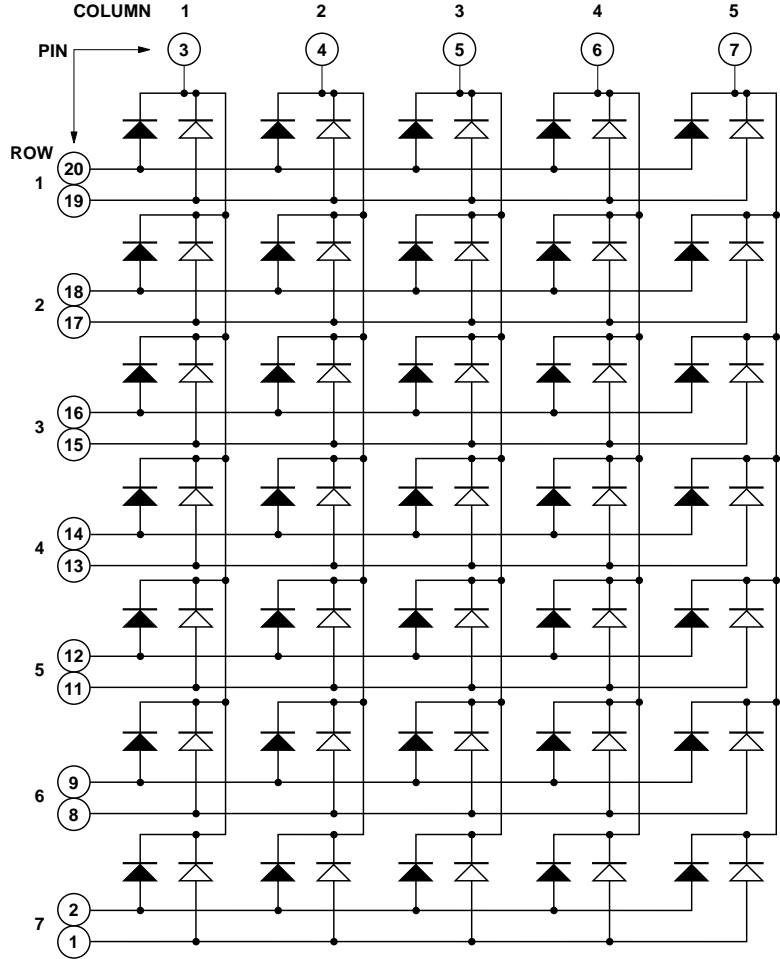
THE SIGN  STANDS FOR HER COLOR DICE



THE SIGN  STANDS FOR GREEN COLOR DICE

PIN NO.	CONNECTION
1	ROW 7 (GREEN)
2	ROW 7 (HER)
3	COLUMN 1
4	COLUMN 2
5	COLUMN 3
6	COLUMN 4
7	COLUMN 5
8	ROW 6 (GREEN)
9	ROW 6 (HER)
10	NC
11	ROW 5 (GREEN)
12	ROW 5 (HER)
13	ROW 4 (GREEN)
14	ROW 4 (HER)
15	ROW 3 (GREEN)
16	ROW 3 (HER)
17	ROW 2 (GREEN)
18	ROW 2 (HER)
19	ROW 1 (GREEN)
20	ROW 1 (HER)

Internal Circuit Diagram

Common Row Anode (Bi-Color)



THE SIGN  STANDS FOR HER COLOR DICE
 THE SIGN  STANDS FOR GREEN COLOR DICE

PIN NO.	CONNECTION
1	ROW 7 (GREEN)
2	ROW 7 (HER)
3	COLUMN 1
4	COLUMN 2
5	COLUMN 3
6	COLUMN 4
7	COLUMN 5
8	ROW 6 (GREEN)
9	ROW 6 (HER)
10	NC
11	ROW 5 (GREEN)
12	ROW 5 (HER)
13	ROW 4 (GREEN)
14	ROW 4 (HER)
15	ROW 3 (GREEN)
16	ROW 3 (HER)
17	ROW 2 (GREEN)
18	ROW 2 (HER)
19	ROW 1 (GREEN)
20	ROW 1 (HER)

Absolute Maximum Ratings at T_A = 25°C

Parameter	GaP Red HDSP-S51E/S56E/B51Z/B56Z	GaP Green HDSP-S51G/S56G/B51Z/B56Z	Units
Average Power per Dot ^[1]	65	65	mW
Peak Forward Current per Dot ^[1] (1/8 Duty Cycle at 10 KHz)	80	100	mA
Average Forward Current per Dot	25 ^[1,2]	25 ^[1,3]	mA
Reverse Voltage per Dot	3	3	V
Operating Temperature	-35 to +85	-35 to +85	°C
Storage Temperature	-35 to +85	-35 to +85	°C
Lead Solder Temperature for 3 seconds ^[4] (2 mm [0.078 in.] below seating plane)	260	260	°C

Notes:

1. Do not exceed maximum average current per dot.
2. Derate above 25°C at 0.20 mA/°C.
3. Derate above 25°C at 0.33 mA/°C.
4. Not recommended to be soldered more than 2 times. Minimum interval between solderings is 15 minutes. Total soldering time not to exceed 3 seconds.

Optical/Electrical Characteristics at T_A = 25°C

GaP Red

Devices							
HDSP-	Parameter	Symbol	Min.	Typ.	Max.	Units	Test Conditions
S51E	Luminous Intensity/Unit (Digit Average) ^[1]	I _v	0.97	1.5	3.3	mcd	I _{FP} = 40 mA, 1/8 Duty Factor
	Peak Wavelength	λ _{peak}		632		nm	I _F = 20 mA
S56E	Dominant Wavelength ^[2]	λ _d		622		nm	I _F = 20 mA
B51Z	Forward Voltage	V _F		2.1	2.6	V	I _F = 20 mA
B56Z	Reverse Voltage ^[3]	V _R	3.0			V	I _R = 100 μA
	Luminous Intensity Matching Ratio	I _{v-m}			2:1		I _{FP} = 40 mA, 1/8 Duty Factor

GaP Green

Devices							
HDSP-	Parameter	Symbol	Min.	Typ.	Max.	Units	Test Conditions
S51G	Luminous Intensity/Unit (Digit Average) ^[1]	I _v	1.46	3.0	4.97	mcd	I _{FP} = 40 mA, 1/8 Duty Factor
	Peak Wavelength	λ _{peak}		568		nm	I _F = 20 mA
S56G	Dominant Wavelength ^[2]	λ _d		573		nm	I _F = 20 mA
B51Z	Forward Voltage	V _F		2.3	2.6	V	I _F = 20 mA
B56Z	Reverse Voltage ^[3]	V _R	3.0			V	I _R = 100 μA
	Luminous Intensity Matching Ratio	I _{v-m}			2:1		I _{FP} = 40 mA, 1/8 Duty Factor

Bi-Color

Devices							
HDSP-	Parameter	Symbol	Min.	Typ.	Max.	Units	Test Conditions
B51Z	Luminance/Unit (Digit Average) ^[1]	I _v	86.0	180.0	310.0	Cd/m ²	I _{FP} = 40 mA, 1/8 Duty Factor
B56Z							

Notes:

1. The digits are categorized for luminance. The luminance category is designated by a letter on the side of the package.
2. The dominant wavelength, λ_d, is derived from the CIE chromaticity diagram and represents the single wavelength which defines the color of the device.
3. Typical specification for reference only. Do not exceed absolute maximum ratings.

Intensity Bin Limits^[1] (mcd at I_{FP} = 40 mA, 1/8 Duty Factor)**GaP Red**

Bin Name	Min. ^[2]	Max. ^[2]
E	0.97	1.45
F	1.46	2.19
G	2.2	3.3

GaP Green

Bin Name	Min. ^[2]	Max. ^[2]
F	1.46	2.19
G	2.20	3.30
H	3.31	4.97

Bi-Color (Cd/m² at I_{FP} = 40 mA, 1/8 Duty Factor)

Bin Name	Min. ^[2]	Max. ^[2]
F	86	104
G	104.1	124
H	124.1	149
I	149.1	179
J	179.1	215
K	215.1	258
L	258.1	310

Hue Grade

Coordinate	Bin						
	4	5	6	7	8	9	10
X	0.542-0.553	0.552-0.563	0.562-0.573	0.572-0.583	0.582-0.593	0.592-0.603	0.602-0.613
Y	0.445-0.456	0.435-0.446	0.425-0.436	0.415-0.426	0.405-0.416	0.395-0.406	0.385-0.396

Notes:

- Hue categories are established for classification of products. Products may not be available in all bin categories.
- Tolerance for each intensity bin limit is $\pm 10\%$.

Color Bin Limits (nm)^[1]**Green**

Bin Name	Min. ^[2]	Max. ^[2]
3	569.1	571
4	571.1	573
5	573.1	575

Notes:

- Bin categories are established for classification of products. Products may not be available in all bin categories.
- Tolerance for each color bin limit is ± 1.0 nm.

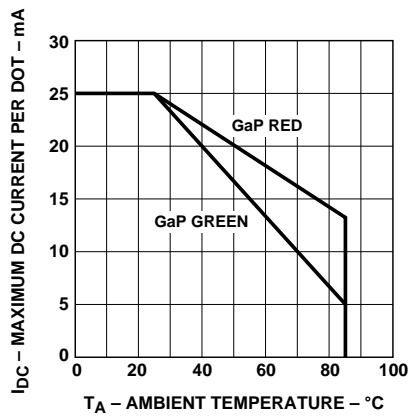


Figure 1. Maximum allowable average current per dot vs. ambient temperature.

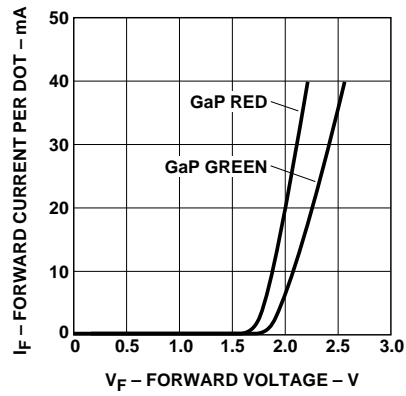


Figure 2. Forward current vs. forward voltage.

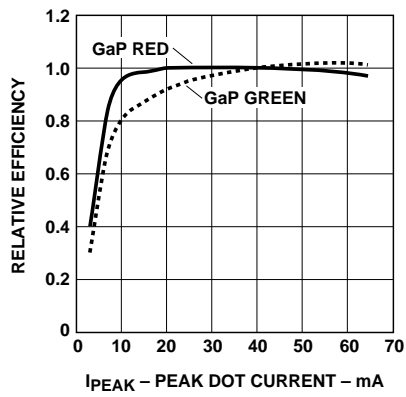


Figure 3. Relative efficiency (luminous intensity per dot) vs. peak current per dot.

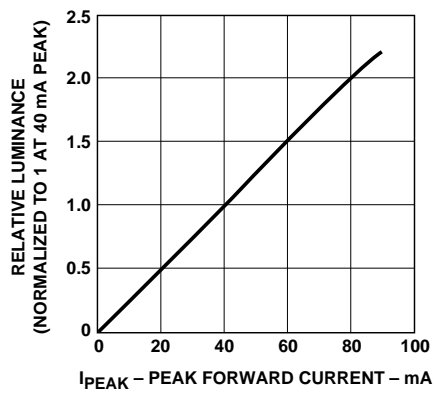


Figure 4. Relative luminance vs. peak forward current.

Contrast Enhancement

For information on contrast enhancement, please see Application Note 1015.

Soldering/Cleaning

Cleaning agents from the ketone family (acetone, methyl ethyl ketone, etc.) and from the chlorinated hydrocarbon family (methylene chloride, trichloroethylene, carbon tetrachloride, etc.) are not recommended for cleaning LED parts. All of these various solvents attack or dissolve the encapsulating epoxies used to form the package of plastic LED parts.

For information on soldering LEDs, please refer to Application Note 1027.

Device Reliability

For reliability information, please see the reliability data sheet *27.4 mm General Purpose 5 x 7 Dot Matrix Alphanumeric Displays*.

www.agilent.com/semiconductors

For product information and a complete list of distributors, please go to our web site.

For technical assistance call:

Americas/Canada: +1 (800) 235-0312 or (408) 654-8675

Europe: +49 (0) 6441 92460

China: 10800 650 0017

Hong Kong: (+65) 271 2451

India, Australia, New Zealand: (+65) 271 2394

Japan: (+81 3) 3335-8152(Domestic/International), or 0120-61-1280(Domestic Only)

Korea: (+65) 271 2194

Malaysia, Singapore: (+65) 271 2054

Taiwan: (+65) 271 2654

Data subject to change.

Copyright © 2002 Agilent Technologies, Inc.

Obsoletes 5988-1730EN

January 17, 2002

5988-5283EN



Agilent Technologies

Copyright © Each Manufacturing Company.

All Datasheets cannot be modified without permission.

This datasheet has been download from :

www.AllDataSheet.com

100% Free DataSheet Search Site.

Free Download.

No Register.

Fast Search System.

www.AllDataSheet.com