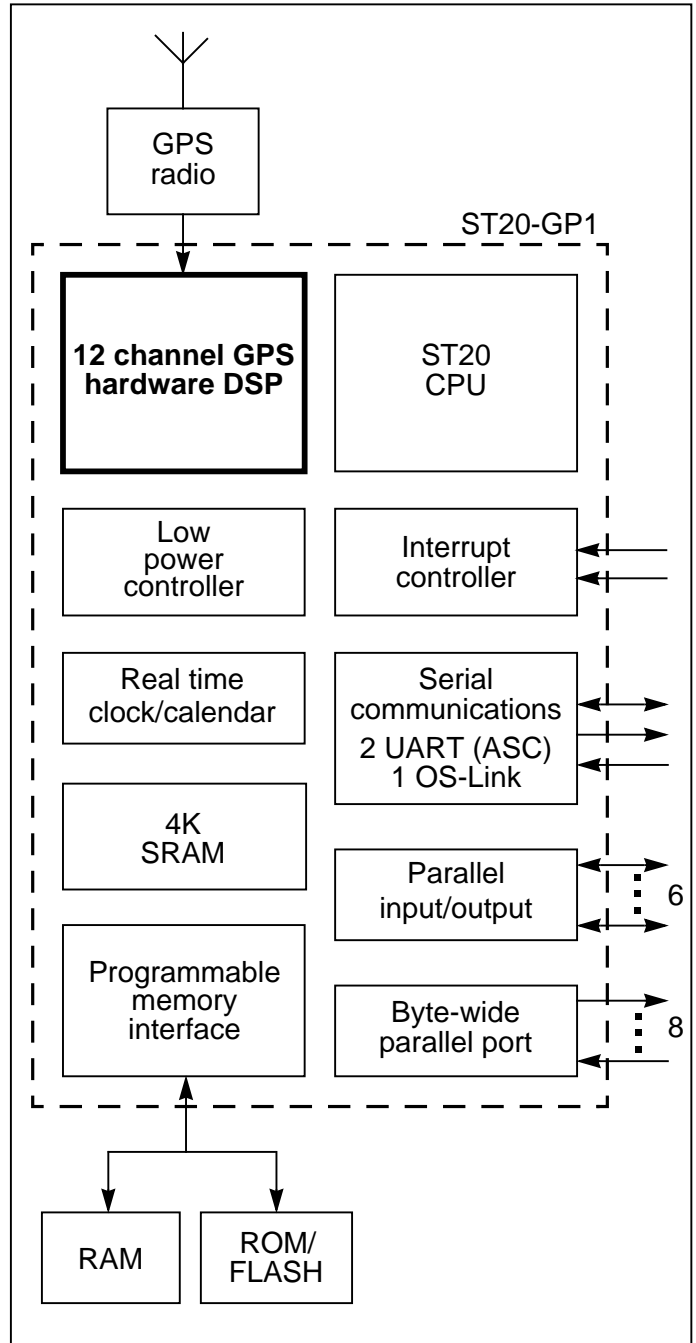


GPS PROCESSOR

ENGINEERING DATA

FEATURES

- Application specific features
 - 12 channel GPS correlation DSP hardware and ST20 CPU (for control and position calculations) on one chip
 - no TCXO required
 - RTCA-SC159 / WAAS / EGNOS supported
- GPS performance
 - accuracy
 - stand alone with SA on <100m, SA off <30m
 - differential <1m
 - surveying <1cm
 - time to first fix
 - autonomous start 90s
 - cold start 45s
 - warm start 7s
 - obscuration 1s
- 32-bit ST20 CPU
 - 16/33 MHz processor clock
 - 25 MIPS at 33 MHz
 - fast integer/bit operations
- 4 Kbytes on-chip SRAM
 - 130 Mbytes/s maximum bandwidth
- Programmable memory interface
 - 4 separately configurable regions
 - 8/16-bits wide
 - support for mixed memory
 - 2 cycle external access
- Serial communications
 - Programmable UART (ASC)
 - OS-Link
- Vectored interrupt subsystem
 - 2 dedicated interrupt pins
 - 5 levels of interrupt
- Power management
 - low power operation
 - power down modes
- Professional toolset support
 - ANSI C compiler and libraries
 - INQUEST advanced debugging tools
- Technology
 - Static clocked 50 MHz design
 - 3.3 V, sub micron technology
- 100 pin PQFP package



APPLICATIONS

- Global Positioning System (GPS) receivers
- Car navigation systems
- Fleet management systems
- Time reference for telecom systems

Contents

1	Introduction	5
2	ST20-GP1 architecture overview	7
3	Digital signal processing module	11
3.1	DSP module registers	13
4	Central processing unit	18
4.1	Registers	18
4.2	Processes and concurrency	19
4.3	Priority	21
4.4	Process communications	21
4.5	Timers	22
4.6	Traps and exceptions	23
5	Interrupt controller	28
5.1	Interrupt vector table	29
5.2	Interrupt handlers	29
5.3	Interrupt latency	30
5.4	Pre-emption and interrupt priority	30
5.5	Restrictions on interrupt handlers	30
5.6	Interrupt configuration registers	31
6	Instruction set	34
6.1	Instruction cycles	34
6.2	Instruction characteristics	35
6.3	Instruction set tables	36
7	Memory map	45
7.1	System memory use	45
7.2	Boot ROM	46
7.3	Internal peripheral space	46
8	Memory subsystem	49
8.1	SRAM	49
9	Programmable memory interface	50
9.1	EMI signal descriptions	51
9.2	Strobe allocation	52
9.3	External accesses	52

9.4	MemWait	56
9.5	EMI configuration registers	58
9.6	Reset and bootstrap behavior	59
10	Clocks and low power controller	61
10.1	Clocks	61
10.2	Low power control	61
10.3	Low power configuration registers	63
10.4	Clocking sources	65
11	System services	67
11.1	Reset, initialization and debug	67
11.2	Bootstrap	68
12	Serial link interface (OS-Link)	70
12.1	OS-Link protocol	70
12.2	OS-Link speed	70
12.3	OS-Link connections	71
13	UART interface (ASC)	72
13.1	Asynchronous serial controller operation	73
13.2	Hardware error detection capabilities	76
13.3	Baud rate generation	76
13.4	Interrupt control	77
13.5	ASC configuration registers	79
14	Parallel input/output	85
14.1	PIO Port	85
15	Byte-wide parallel port	88
15.1	EMI mode operation	88
15.2	Parallel link (DMA) mode operation	88
15.3	Configuration registers	88
15.4	External data transfer protocols	89
16	Configuration register addresses	93
17	Electrical specifications	97
18	GPS Performance	100
18.1	Accuracy	100
18.2	Time to first fix	101

19	Timing specifications	102
19.1	EMI timings	102
19.2	Link timings	104
19.3	Reset and Analyse timings	105
19.4	ClockIn timings	106
19.5	Parallel port timings	107
20	Pin list	110
21	Package specifications	112
21.1	ST20-GP1 package pinout	112
21.2	100 pin PQFP package dimensions	113
22	Device ID	115
23	Ordering information	115

1 Introduction

The ST20-GP1 is an application-specific single chip micro using the ST20 CPU with microprocessor style peripherals added on-chip. It incorporates DSP hardware for processing the signals from GPS (Global Positioning System) satellites.

The twelve channel GPS correlation DSP hardware is designed to handle twelve satellites, two of which can be initialized to support the RTCA-SC159 specification for WAAS (Wide Area Augmentation Service) and EGNOS (European Geostationary Navigation Overlay System) services.

The ST20-GP1 has been designed to minimize system costs and reduce the complexity of GPS systems. It offers all hardware DSP and microprocessor functions on one chip. Whilst the entire analogue section, RF and clock generation are available on a companion chip. Thus, with the addition of a ROM and a RAM chip, a complete GPS system is possible using just four chips, see Figure 1.1.

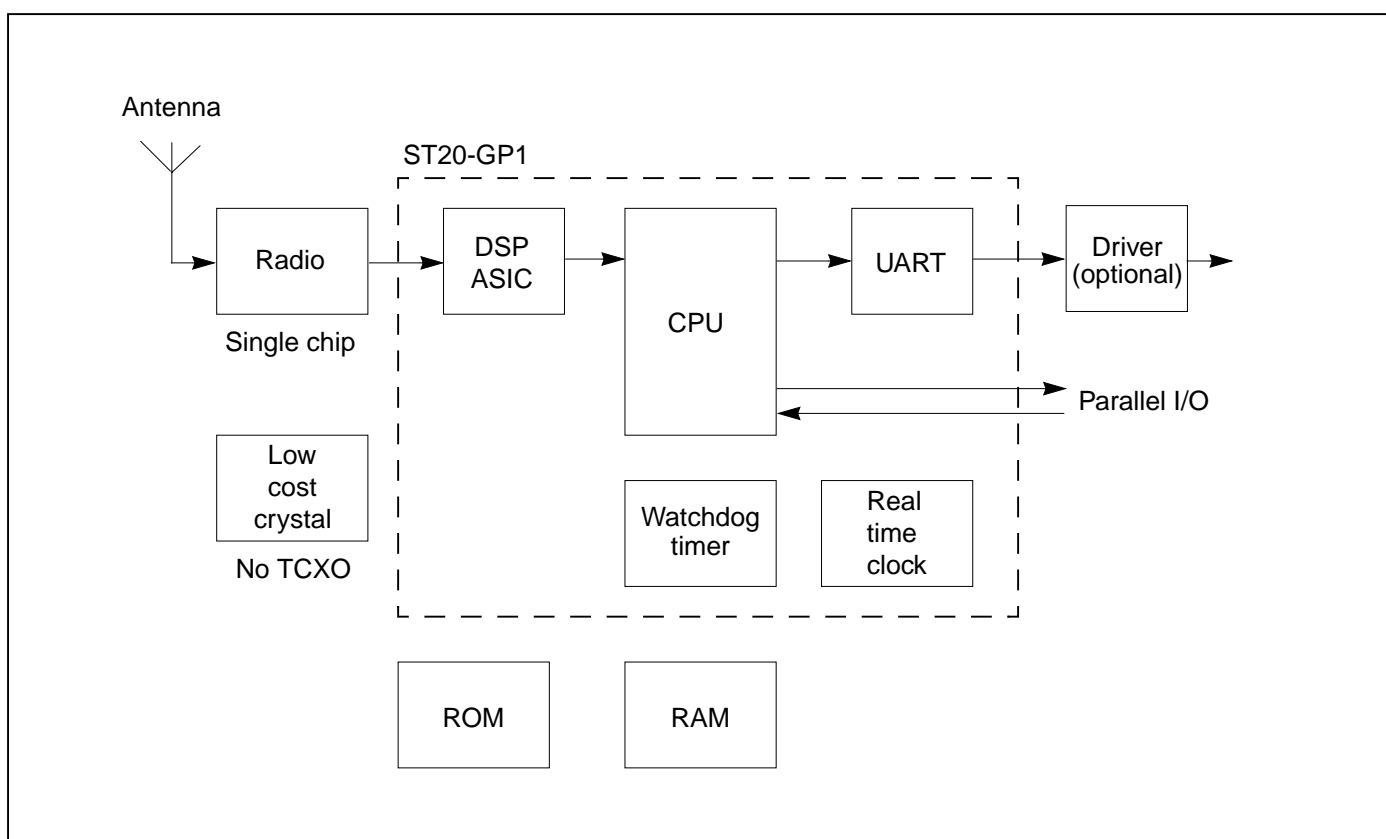


Figure 1.1 GPS system

The ST20-GP1 supports large values of frequency offset, allowing the use of a very low cost oscillator, thus saving the cost of a Temperature Controlled Crystal Oscillator (TCXO).

The CPU and software have access to the part-processed signal to enable accelerated acquisition time.

The ST20-GP1 can implement the GPS digital signal processing algorithms using less than 50% of the available CPU processing power. This leaves the rest available for integrating OEM application functions such as route-finding, map display and telemetry. A hardware microkernel in the ST20

CPU supports the sharing of CPU time between applications without an operating system or executive overhead.

The architecture is based on the ST20 CPU core and supporting macrocells developed by SGS-THOMSON Microelectronics. The ST20 micro-core family provides the tools and building blocks to enable the development of highly integrated application specific 32-bit devices at the lowest cost and fastest time to market. The ST20 macrocell library includes the ST20Cx family of 32-bit VL-RISC (variable length reduced instruction set computer) micro-cores, embedded memories, standard peripherals, I/O, controllers and ASICs.

The ST20-GP1 uses the ST20 macrocell library to provide the hardware modules required in a GPS system. These include:

- DSP hardware
- Dual channel UART for serial communications
- 6 bits of parallel I/O
- Interrupt controller
- Real time clock/calendar
- Watchdog timer

The ST20-GP1 is supported by a range of software and hardware development tools for PC and UNIX hosts including an ANSI-C ST20 software toolset and the ST20 INQUEST window based debugging toolkit.

2 ST20-GP1 architecture overview

The ST20-GP1 consists of an ST20 CPU plus application specific DSP hardware for handling GPS signals, plus a dual channel UART, 8-bit parallel half-duplex link interface, 6-bit parallel IO, real time clock and watchdog functions.

Figure 2.1 shows the subsystem modules that comprise the ST20-GP1. These modules are outlined below and more detailed information is given in the following chapters.

DSP

The ST20-GP1 includes DSP hardware for processing signals from the GPS satellites. The DSP module generates the pseudo-random noise (prn) signals, and de-spreads the incoming signal.

It consists of a down conversion stage that takes the 4 MHz input signal down to nominally zero frequency both in-phase and quadrature (I & Q). This is followed by 12 parallel hardware channels for satellite tracking, whose output is passed to the CPU for further software processing at a programmable interval, nominally every millisecond.

CPU

The Central Processing Unit (CPU) on the ST20-GP1 is the ST20 32-bit processor core. It contains instruction processing logic, instruction and data pointers, and an operand register. It directly accesses the high speed on-chip memory, which can store data or programs. The processor can access up to 4 Mbytes of memory via the programmable memory interface.

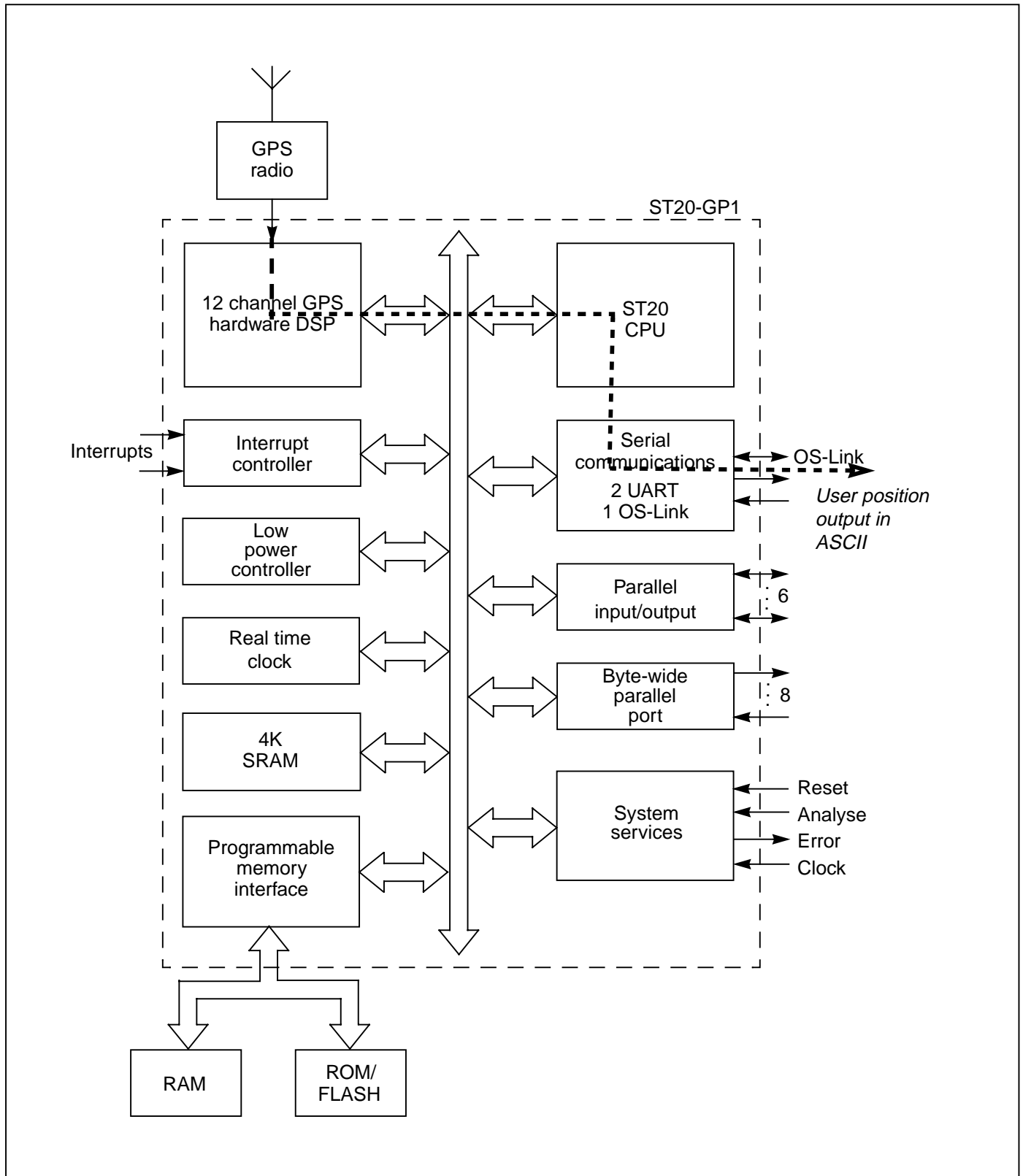


Figure 2.1 ST20-GP1 architectural block diagram

Memory subsystem

The ST20-GP1 on-chip memory system provides 130 Mbytes/s internal data bandwidth, supporting pipelined 2-cycle internal memory access at 30 ns cycle times. The ST20-GP1 memory system consists of SRAM and a programmable memory interface. The programmable memory interface is also referred to as an external memory interface (EMI).

The ST20-GP1 uses 8 or 16-bit external RAM, 8 or 16-bit ROM, and supports an address width of 20 bits.

The ST20-GP1 product has 4 Kbytes of on-chip SRAM. The advantage of this is the ability to store time critical code on chip, for instance interrupt routines, software kernels or device drivers, and even frequently used data.

The ST20-GP1 memory interface controls the movement of data between the ST20-GP1 and off-chip memory. It is designed to support memory subsystems without any external support logic and is programmable to support a wide range of memory types. Memory is divided into 4 banks which can each have different memory characteristics and each bank can access up to 1 Mbyte of external memory.

The normal memory provision in a simple GPS receiver is a single 128K x 8-bit SRAM (55 or 70 ns access time), and a single 64K x 16-bit ROM or Flash ROM (70, 90 or 100 ns access time). The ST20-GP1 can support up to 1 Mbyte of SRAM plus 1 Mbyte of ROM, enabling additional applications to be loaded if required.

Low power controller, real time clock and watchdog timer

The ST20-GP1 has power-down capabilities configurable in software. When powered down, a timer can be used as an alarm, re-activating the CPU after a programmed delay. This is suitable for ultra low power or solar powered applications such as container tracking, railway truck tracking, or marine navigation buoys that must check they are on station at intervals. The timer can also be used to provide a watchdog function, resetting the system if it times out.

The real time clock/calendar function is provided by a 64-bit binary counter running continuously from the low-power clock (nominally 32768 Hz).

The ST20-GP1 is designed for 0.5 micron, 3.3 V CMOS technology and runs at speeds of up to 33 MHz. 3.3 V operation provides reduced power consumption internally and allows the use of low power peripherals. In addition, a power-down mode is available on the ST20-GP1.

The different power levels of the ST20-GP1 are listed below.

- Operating power — power consumed during functional operation.
- Stand-by power — power consumed during little or no activity. The CPU is idle but ready to immediately respond to an interrupt/reschedule.
- Power-down — clocks are stopped and power consumption is significantly reduced. Functional operation is stalled. Normal functional operation can be resumed from previous state as soon as the clocks are stable. No information is lost during power down as all internal logic is static.
- Power to most of the chip removed — only the real time clock supply (**RTCVDD**) power on.

In power-down mode the processor and all peripherals are stopped, including the external memory controller and optionally the PLL. Effectively the internal clock is stopped and functional operation is stalled. On restart the clock is restarted and the chip resumes normal functional operation.

Serial communications

The ST20-GP1 has two UARTs (Asynchronous Serial Controllers (ASCs)) for serial communication. The UARTs provide an asynchronous serial interface and can be programmed to support a range of baud rates and data formats, for example, data size, stop bits and parity.

There is one OS-Link on the ST20-GP1 which acts as a DMA engine independent of the CPU. The OS-Link uses an asynchronous bit-serial (byte-stream) protocol, each bit received is sampled five times, hence the term *oversampled link* (OS-Link). The OS-Link provides a pair of channels, one input and one output channel. The link is used for:

- bootstrapping during development,
- debugging,
- communicating with OS-Link peripherals or other ST20 devices.

Interrupt subsystem

The ST20-GP1 interrupt subsystem supports five prioritized interrupts. Three interrupts are connected to on-chip peripherals (2 for the UARTs, 1 for the programmable IO) and two are available as external interrupt pins.

All interrupts are at a higher priority than the high priority process queue. Each interrupt level has a higher priority than the previous and each level supports only one software handler process.

Note that interrupt handlers must not prevent the GPS DSP data traffic from being handled. During continuous operation this has 1 ms latency and is not a problem, but during initial acquisition it has a 32 μ s rate and thus all interrupts must be disabled except if used to stop GPS operation.

Byte-wide parallel port

The byte-wide parallel port is provided to communicate with an external device. It transfers a byte at a time, operating half duplex in the program-selected direction.

Parallel IO module

Six bits of parallel IO are provided. Each bit is programmable as an output or an input. Edge detection logic is provided which can generate an interrupt on any change of an input bit.

System services module

The ST20-GP1 system services module includes:

- reset, initialization and error port.
- phase locked loop (PLL) — accepts 16.368 MHz input and generates all the internal high frequency clocks needed for the CPU and the OS-Link.

3 Digital signal processing module

The ST20-GP1 chip includes 12 channel GPS correlation DSP hardware. It is designed to handle twelve satellites, two of which can be initialized to support the RTCA-SC159 specification.

The digital signal processing (DSP) module extracts GPS data from the incoming IF (Intermediate Frequency) data. There are a number of stages of processing involved; these are summarized below and in Figure 3.1. After the 12 pairs of hardware correlators, the data for all channels are time division multiplexed onto the appropriate internal buses (i.e. values for each channel are passed in sequence, for example: $I_1, Q_1, I_2, Q_2 \dots I_{12}, Q_{12}, I_1, Q_1$).

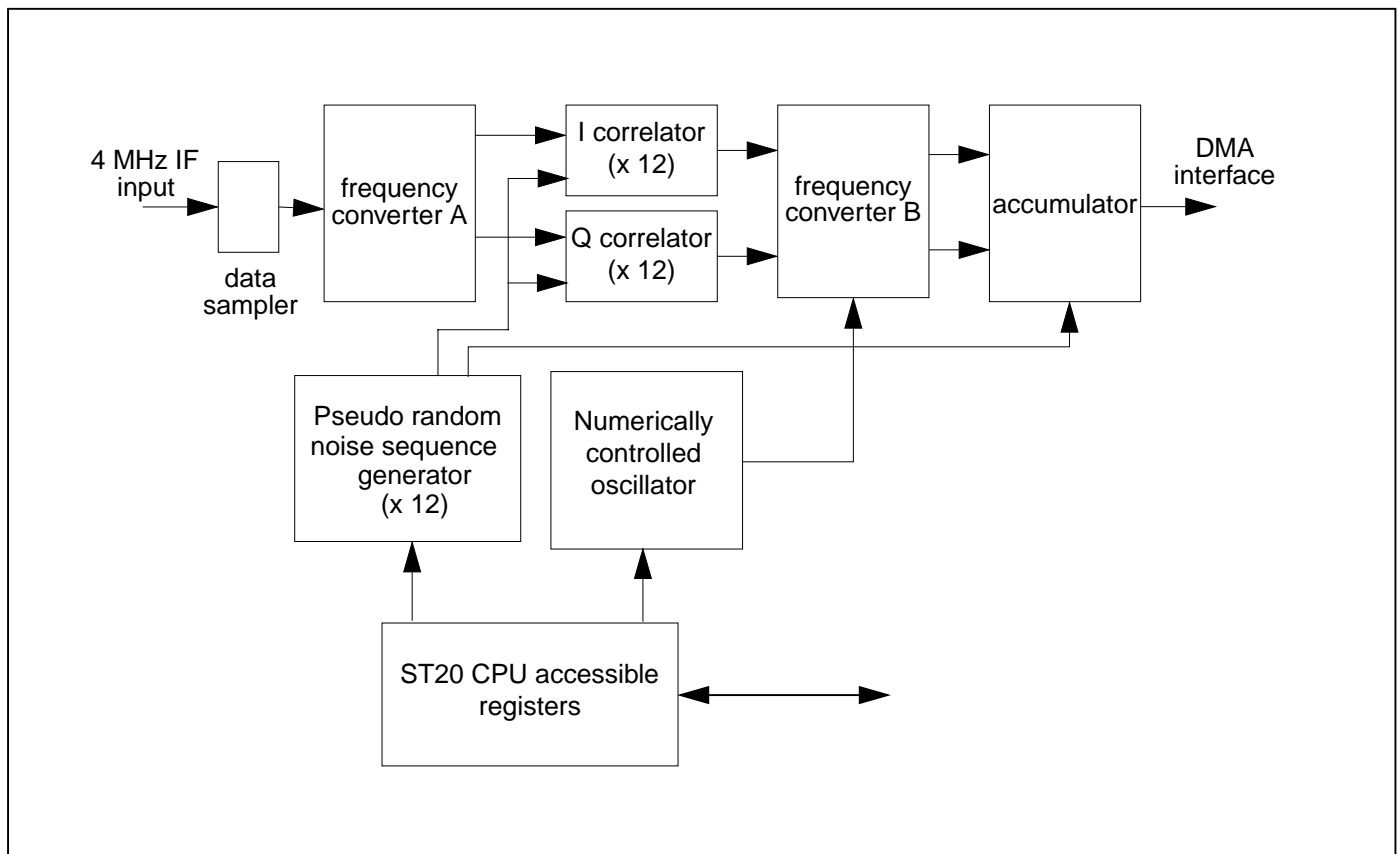


Figure 3.1 DSP module block diagram

The main stages of processing are as follows:

Data sampling

This stage removes any meta-stability caused by the asynchronous input data coming from an analogue source (the radio receiver). The data at this point consists of a carrier of nominally 4.092 MHz with a bandwidth of approximately ± 1 MHz.

This stage is common to all 12 channels.

Frequency conversion (A)

The first frequency converter mixes the sampled IF data with the (nominal) 4.092 MHz signal. This is done twice with a quarter cycle offset to produce I and Q (In-phase and Quadrature) versions of the data at nominal zero centre frequency (this can actually be up to ± 132 KHz due to errors such

as doppler shift, crystal accuracy, etc.). The sum frequency (~8 MHz) is removed by low-pass filtering in the correlator.

This stage is common to all 12 channels.

Correlation against pseudo-random sequence

The GPS data is transmitted as a spread-spectrum signal (with a bandwidth of about 2 MHz). In order to recover the data it is necessary to correlate against the same Pseudo-Random Noise (PRN) signal that was used to transmit the data. The output of the correlator accumulator is sampled at 264 KHz. The PRN sequences come from the PRN generator.

There is a correlator for the I and Q signals for each of the 12 channels. The output signal is now narrowband.

Frequency conversion (B)

The second stage of frequency conversion mixes the data with the local oscillator signal generated by the Numerically Controlled Oscillator (NCO). This signal is locked, under software control, to the Space Vehicle (SV) frequency and phase to remove the errors and take the frequency and bandwidth of the data down to 0 and ± 50 Hz respectively. Filtering to 500 Hz is achieved in hardware, to 50 Hz in software.

This stage is shared by time division multiplexing between all 12 channels. This is loss-free as the stage supports 12 channels x 264 KHz, approximately 3 MHz, well within its 16 MHz clock rate.

Result integration

The final stage sums the I and Q values for each channel over a user defined period. In normal operation, the sampling period is slightly less than the 1ms length of the PRN sequence. This ensures that no data is lost, although it may mean that some data samples are seen twice — this is handled (mainly) in software.

The sampling period can also be programmed to be much shorter (i.e. a higher cut-off frequency for the filter) when the system is trying to find new satellites ('acquisition mode').

There are two further stages of buffering for the accumulated 16-bit I and Q values for each channel. These allow for the slightly different time domains involved¹.

The results after hardware processing of the signal, using the parameters set in the DSP registers, refer to Section 3.1, are delivered to the CPU via a DMA engine in packet format. The CPU should perform an *in* (input) instruction on the appropriate channel (see address map, Figure 7.1 on page 47) in order to read a packet.

The format of the 62-byte packets is given in Figure 3.2. These represent a two byte header, followed by the 16-bit I-values for 12 channels, then the 16-bit Q-values for 12 channels, then the 8-bit timestamp values for the 12 channels. The I and Q values are sent least significant byte first. The 2 byte header contains: a 'sync' byte with the value #1B, and a 'sample rate' byte which contains the two **SampleRate** bits from the **DSPControl** register, see Table 3.1.

Packets are delivered at the rate selected by the **DSPControl** register, even if new data is not available. In this case, the data value for the field is set to #8000. This guarantees that synchronism

1. Data sampled in SV time, data transmitted to the CPU at fixed intervals.

is maintained between the satellite one-millisecond epochs and the receiver, despite time-of-reception variations due to the varying path length from the satellite.

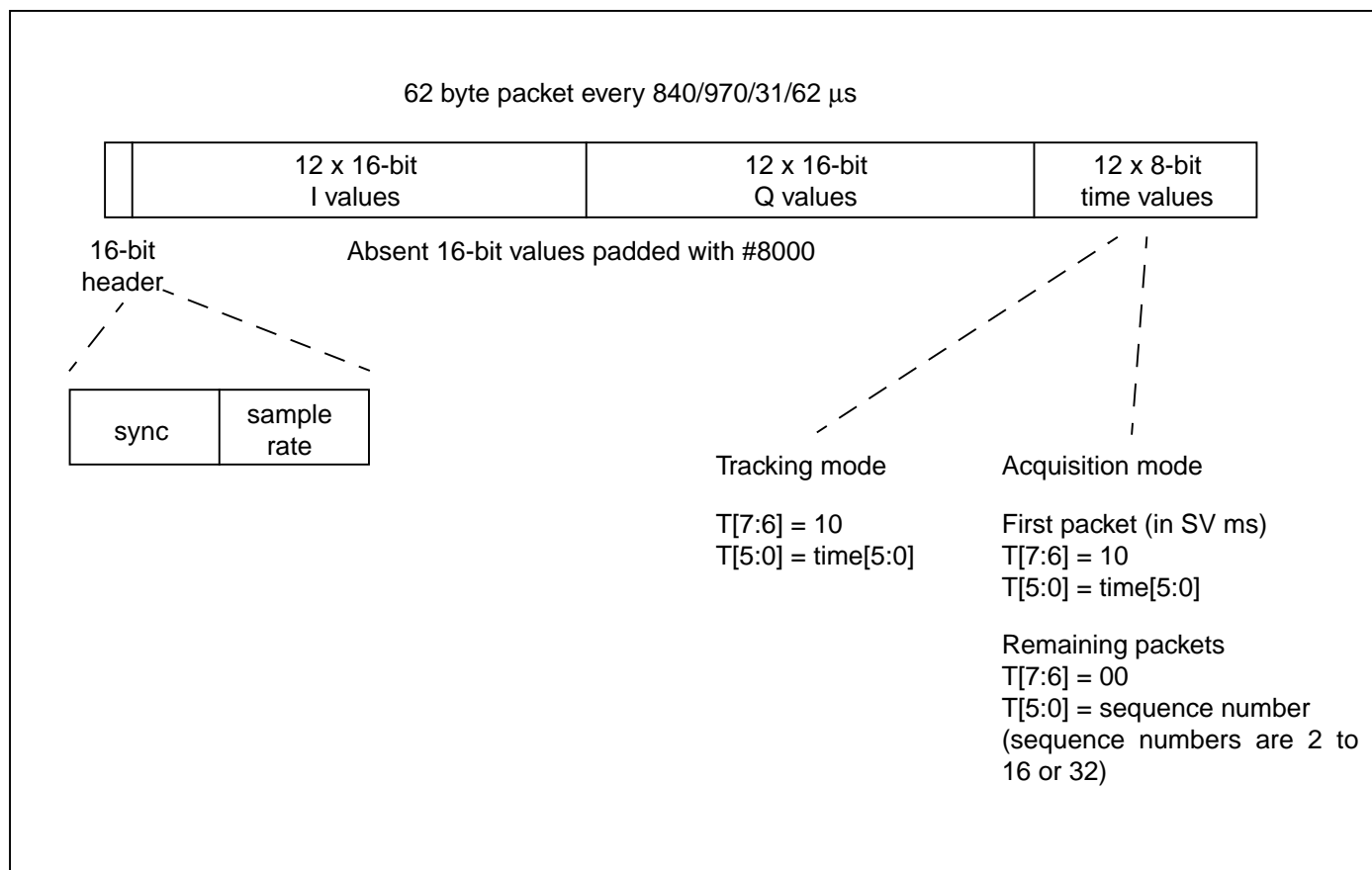


Figure 3.2 DSP packet format

3.1 DSP module registers

The GPS hardware channels of the ST20-GP1 are controlled by three sets of registers:

- 1 **DSPControl** register
- 2 **PRNcode0-11** and **PRNphase0-11** registers
- 3 **NCOfrequency0-11** and **NCOPhase0-11** registers

The base addresses for the DSP registers are given in the Memory Map chapter.

DSPControl register

The **DSPControl** register determines whether the PRN generators are on (normal use) or disabled (for built-in-self-test of a system), whether the system is in tracking mode (840/970 μ s output rate) or initial acquisition mode (31/62 μ s), and selects which of the two rates for each mode. It also determines whether the accumulated carrier phase in the NCO are reset to zero automatically or continue from their existing value. The bit allocations are given in Table 3.1.

DSPControl		DSP base address + #140	Write only		
Bit	Bit field	Function			
1:0	SampleRate	These bits control the sampling rate (the rate at which data is sent to the DMA controller). The encoding of these bits is as follows:			
		SampleRate[1:0]	Transfer period	No. of samples accumulated	Mode
		00	840 μ s	256	Tracking
		01	970 μ s	256	
		10	31 μ s	8	
	11	62 μ s	16		
2	NCOResetEnable	When set to 1, the accumulated NCO phase for a channel is reset when the corresponding PRN code register is written.			
3	PRNDisable	When set to 1, all PRN generators are disabled.			

Table 3.1 DSPControl register format

PRNcode0-11 registers

The **PRNcode0-11** registers choose the code for the particular satellite, and writing these causes a reset to the accumulated carrier phase in the NCO for the corresponding channel, if enabled by the **DSPControl** register.

PRNcode0-11		DSP base address + #00 to #2C	Write only
Bit	Bit field	Function	
6:0	PRNcode	Satellite code as a 7-bit value.	

Table 3.2 PRNcode0-11 register format

The bit-fields for selecting particular GPS satellites are given in Table 3.3.

Satellite ID	PRNcode0-11 register value	Taps selected from G2 shift register ^a	
		by bits 6 to 4	by bits 3 to 0
1	#62	6	2
2	#73	7	3
3	#04	8	4
4	#15	9	5
5	#11	9	1
6	#22	10	2
7	#01	8	1
8	#12	9	2
9	#23	10	3
10	#32	3	2
11	#43	4	3
12	#65	6	5
13	#76	7	6
14	#07	8	7
15	#18	9	8

Table 3.3 PRNcode0-11 register value

Satellite ID	PRNcode0-11 register value	Taps selected from G2 shift register ^a	
		by bits 6 to 4	by bits 3 to 0
16	#29	10	9
17	#41	4	1
18	#52	5	2
19	#63	6	3
20	#74	7	4
21	#05	8	5
22	#16	9	6
23	#31	3	1
24	#64	6	4
25	#75	7	5
26	#06	8	6
27	#17	9	7
28	#28	10	8
29	#61	6	1
30	#72	7	2
31	#03	8	3
32	#14	9	4
-	#25	10	5
-	#24	10	4
-	#71	7	1
-	#02	8	2
-	#24	10	4
WAAS ^b	#20	10	0

Table 3.3 PRNcode0-11 register value

- a. Refer to the US DoD document ICD-GPS-200.
- b. It is the responsibility of the software to ensure that when this value is selected, a suitable value has been written into the **PRNinitialVal0-1** register. If this channel is later used for a standard GPS satellite, the **PRNinitialVal0-1** must be set to all ones (#3FF).

For channels 0 and 1, RTCA-SC159 satellite codes can also be selected. This is achieved by setting the **PRNcode0-11** register appropriately and also writing the initial value for the satellite to the **PRNinitialVal0-1** register, see Table 3.8. If uninitialized by the software, the **PRNinitialVal** register defaults to 11 1111 1111 (#3FF) as required for GPS satellites.

The **PRNcode0-11** and **PRNinitialVal0-1** registers are normally written only when the satellite is first chosen.

PRNphase0-11 registers

The **PRN0-11phase** registers determine the relative delay between the receiver master clock, and the start of the one millisecond repetitive code sequence. The code sequence starts when the receiver clock counter (invisible to the software except through message timestamps) reaches the value written to the **PRNphase0-11** register. The **PRNphase0-11** register must only be written once per satellite milliseconds-epoch, which varies from the receiver epoch dynamically due to satellite motion. Synchronism with the software is achieved by reading the register, when a write enable flag is returned. If not enabled, the write operation is abandoned by the software.

The 19-bit value comprises three fields. The 3 least significant bits represent the fractional-delay in eighths of a code-chip. The middle 10 bits represent the integer delay in code-chips, 0-1022, with the value 1023 illegal. The upper 6 most significant bits represent the delay in integer milliseconds.

PRNphase0-11		DSP base address + #40 to #6C	Write only
Bit	Bit field	Function	
2:0	FractionalDelay	Fractional delay in eighths of a code-chip.	
12:3	IntegerDelay	Integer delay in code-chips. Value 0-1022. Note, the value 1023 is illegal.	
18:13	Delay	Delay in integer milliseconds.	

Table 3.4 **PRNphase0-11** register format

Note also that the eighth-chip resolution of the code generator is not sufficient for positioning. At 125 ns it represents approximately 40 m of range, over 100 m of position. The software must maintain the range measurements around the 1 ns resolution level in a 32-bit field, and send an appropriate 19-bit sub-field to the register. Note, care must be taken when calculating this field from a computed delay, or vice versa, to allow for the missing value 1023. The overall register bit-field cannot be used mathematically as a single binary number.

PRNphase0-11WrEn registers

The **PRNphase0-11WrEn** flags are active low flags that record when the **PRNphase0-11** register can be updated. The **PRNphaseWrEn** flag for a channel is set high when the corresponding **PRNphase** register is written. The flag is reset again when the value written is loaded into the PRN generator. Note, the **PRNphase0-11** register should only be updated when the **PRNphase0-11WrEn** register has been cleared by the hardware.

PRNphase0-11WrEn		DSP base address + #40 to #6C	Read only
Bit	Bit field	Function	
0	PRNphaseWrEn	Set when the corresponding PRNphase0-11 register is set.	

Table 3.5 **PRNphase0-11WrEn** register format

NCOfrequency0-11 registers

The **NCOfrequency0-11** registers hold a signed 18-bit value that is added repetitively, ignoring overflows, to the accumulated NCO phase from which the NCO sine and cosine waveforms are generated. The addition is performed at a 264 KHz rate (16.368MHz/62). The accumulated NCO phase is not accessible to the software, but can be cleared when initialising the channel if enabled by the **DSPControl** register.

Each unit value in the **NCOfrequency0-11** register represents $264\text{KHz}/(2^{18})$, i.e. 1.007080078125 Hz.

If the extreme values are written, #1FFFF and #20000, the sine wave generated will be at approximately +132 KHz, and precisely -132 KHz respectively.

NCOfrequency0-11		DSP base address + #80 to #AC	Write only
Bit	Bit field	Function	
17:0	NCOfrequency	NCO frequency as a signed 18-bit value.	

Table 3.6 **NCOfrequency0-11** register format

NCOPhase0-11 registers

The **NCOPhase0-11** registers contents are added to the accumulated phase to correct the carrier for the final 1 Hz that cannot be resolved by the NCO frequency. This addition is not cumulative, and the value must be updated regularly by the software as a result of carrier phase errors measured on the satellite signal. The register holds a signed 7-bit field representing +/-180 degrees total in steps of 2.8125 degrees (360/128).

NCOPhase0-11		DSP base address + #C4 to #EC	Write only
Bit	Bit field	Function	
6:0	NCOPhase	NCO phase as a signed 7-bit value representing +/-180 degrees total in steps of 2.8125 degrees (360/128).	

Table 3.7 **NCOPhase0-11** register format

PRNInitialVal0-1 registers

The initial value for the two RTCA-SC159 capable satellites channels should be written to the **PRNInitialVal0-1** registers. The value can be found in the *RTCA-SC159 Specification*.

Note: The value written to the register is the Initial Value defined by RTCA-SC159 for the PRN required. The conversion from 'big-endian' as used in the specification to 'little-endian' as conventionally used in ST20 architectures has been implemented in the hardware.

If uninitialized by the software, this register defaults to 11 1111 1111 (#3FF) as required for GPS satellites.

PRNInitialVal0-1		DSP base address + #100, #104	Write only
Bit	Bit field	Function	
9:0	InitialValue	Initial value of the RTCA-SC159 satellite channel.	

Table 3.8 **PRNInitialVal0-1** register format

4 Central processing unit

The Central Processing Unit (CPU) is the ST20 32-bit processor core. It contains instruction processing logic, instruction and data pointers, and an operand register. It can directly access the high speed on-chip memory, which can store data or programs. Where larger amounts of memory are required, the processor can access memory via the External Memory Interface (EMI).

The processor provides high performance:

- Fast integer multiply — 3 cycle multiply
- Fast bit shift — single cycle barrel shifter
- Byte and part-word handling
- Scheduling and interrupt support
- 64-bit integer arithmetic support

The scheduler provides a single level of pre-emption. In addition, multi-level pre-emption is provided by the interrupt subsystem, see Chapter 5 for details. Additionally, there is a per-priority trap handler to improve the support for arithmetic errors and illegal instructions, refer to section 4.6.

4.1 Registers

The CPU contains six registers which are used in the execution of a sequential integer process. The six registers are:

- The workspace pointer (**Wptr**) which points to an area of store where local data is kept.
- The instruction pointer (**IptrReg**) which points to the next instruction to be executed.
- The status register (**StatusReg**).
- The **Areg**, **Breg** and **Creg** registers which form an evaluation stack.

The **Areg**, **Breg** and **Creg** registers are the sources and destinations for most arithmetic and logical operations. Loading a value into the stack pushes **Breg** into **Creg**, and **Areg** into **Breg**, before loading **Areg**. Storing a value from **Areg**, pops **Breg** into **Areg** and **Creg** into **Breg**. **Creg** is left undefined.

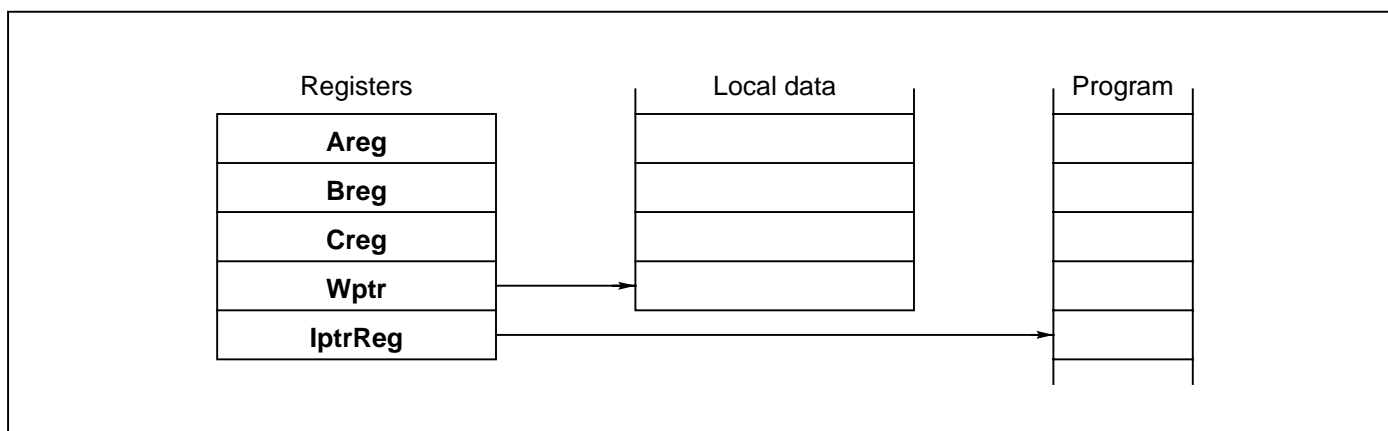


Figure 4.1 Registers used in sequential integer processes

Expressions are evaluated on the evaluation stack, and instructions refer to the stack implicitly. For example, the *add* instruction adds the top two values in the stack and places the result on the top of the stack. The use of a stack removes the need for instructions to explicitly specify the location of their operands. No hardware mechanism is provided to detect that more than three values have been loaded onto the stack; it is easy for the compiler to ensure that this never happens.

Note that a location in memory can be accessed relative to the workspace pointer, enabling the workspace to be of any size.

The use of shadow registers provides fast, simple and clean context switching.

4.2 Processes and concurrency

The following section describes ‘default’ behavior of the CPU and it should be noted that the user can alter this behavior, for example, by disabling timeslicing, installing a user scheduler, etc.

A process starts, performs a number of actions, and then either stops without completing or terminates complete. Typically, a process is a sequence of instructions. The CPU can run several processes in parallel (concurrently). Processes may be assigned either high or low priority, and there may be any number of each.

The processor has a microcoded scheduler which enables any number of concurrent processes to be executed together, sharing the processor time. This removes the need for a software kernel, although kernels can still be written if desired.

At any time, a process may be

- active*
 - being executed
 - interrupted by a higher priority process
 - on a list waiting to be executed
- inactive*
 - waiting to input
 - waiting to output
 - waiting until a specified time

The scheduler operates in such a way that inactive processes do not consume any processor time. Each active high priority process executes until it becomes inactive. The scheduler allocates a portion of the processor’s time to each active low priority process in turn (see Section 4.3). Active processes waiting to be executed are held in two linked lists of process workspaces, one of high priority processes and one of low priority processes. Each list is implemented using two registers, one of which points to the first process in the list, the other to the last. In the linked process list shown in Figure 4.2, process *S* is executing and *P*, *Q* and *R* are active, awaiting execution. Only the low priority process queue registers are shown; the high priority process ones behave in a similar manner.

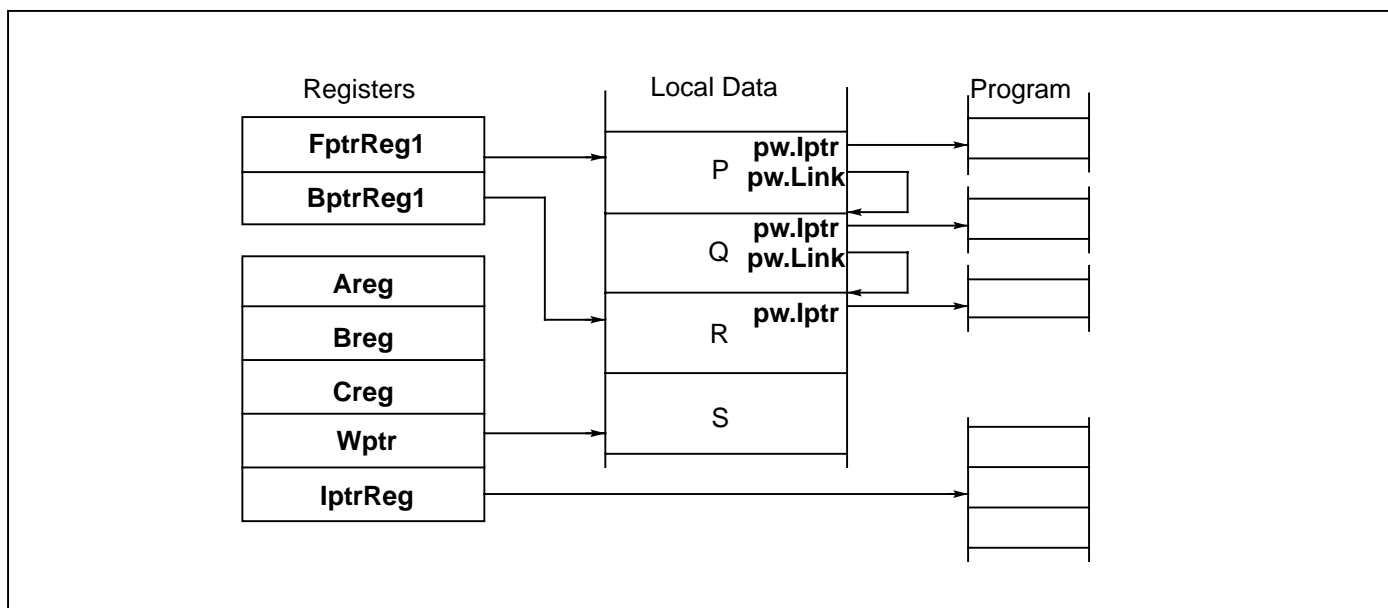


Figure 4.2 Linked process list

Function	High priority	Low priority
Pointer to front of active process list	FptrReg0	FptrReg1
Pointer to back of active process list	BptrReg0	BptrReg1

Table 4.1 Priority queue control registers

Each process runs until it has completed its action or is descheduled. In order for several processes to operate in parallel, a low priority process is only permitted to execute for a maximum of two timeslice periods. After this, the machine deschedules the current process at the next timeslicing point, adds it to the end of the low priority scheduling list and instead executes the next active process. The timeslice period is 1ms.

There are only certain instructions at which a process may be descheduled. These are known as descheduling points. A process may only be timesliced at certain descheduling points. These are known as timeslicing points and are defined in such a way that the operand stack is always empty. This removes the need for saving the operand stack when timeslicing. As a result, an expression evaluation can be guaranteed to execute without the process being timesliced part way through.

Whenever a process is unable to proceed, its instruction pointer is saved in the process workspace and the next process taken from the list.

The processor core provides a number of special instructions to support the process model, including *startp* (start process) and *endp* (end process). When a main process executes a parallel construct, *startp* is used to create the necessary additional concurrent processes. A *startp* instruction creates a new process by adding a new workspace to the end of the scheduling list, enabling the new concurrent process to be executed together with the ones already being executed. When a process is made active it is always added to the end of the list, and thus cannot pre-empt processes already on the same list.

The correct termination of a parallel construct is assured by use of the *endp* instruction. This uses a data structure that includes a counter of the parallel construct components which have still to terminate. The counter is initialized to the number of components before the processes are started. Each component ends with an *endp* instruction which decrements and tests the counter. For all but

the last component, the counter is non zero and the component is descheduled. For the last component, the counter is zero and the main process continues.

4.3 Priority

The following section describes 'default' behavior of the CPU and it should be noted that the user can alter this behavior, for example, by disabling timeslicing and priority interrupts.

The processor can execute processes at one of two priority levels, one level for urgent (high priority) processes, one for less urgent (low priority) processes. A high priority process will always execute in preference to a low priority process if both are able to do so.

High priority processes are expected to execute for a short time. If one or more high priority processes are active, then the first on the queue is selected and executes until it has to wait for a communication, a timer input, or until it completes processing.

If no process at high priority is active, but one or more processes at low priority are active, then one is selected. Low priority processes are periodically timesliced to provide an even distribution of processor time between computationally intensive tasks.

If there are n low priority processes, then the maximum latency from the time at which a low priority process becomes active to the time when it starts processing is the order of $2n$ timeslice periods. It is then able to execute for between one and two timeslice periods, less any time taken by high priority processes. This assumes that no process monopolizes the CPU's time; i.e. it has frequent timeslicing points.

The specific condition for a high priority process to start execution is that the CPU is idle or running at low priority and the high priority queue is non-empty.

If a high priority process becomes able to run whilst a low priority process is executing, the low priority process is temporarily stopped and the high priority process is executed. The state of the low priority process is saved into 'shadow' registers and the high priority process is executed. When no further high priority processes are able to run, the state of the interrupted low priority process is re-loaded from the shadow registers and the interrupted low priority process continues executing. Instructions are provided on the processor core to allow a high priority process to store the shadow registers to memory and to load them from memory. Instructions are also provided to allow a process to exchange an alternative process queue for either priority process queue (see Table 6.21 on page 43). These instructions allow extensions to be made to the scheduler for custom runtime kernels.

A low priority process may be interrupted after it has completed execution of any instruction. In addition, to minimize the time taken for an interrupting high priority process to start executing, the potentially time consuming instructions are interruptible. Also some instructions are abortable and are restarted when the process next becomes active (refer to the Instruction Set chapter).

4.4 Process communications

Communication between processes takes place over channels, and is implemented in hardware. Communication is point-to-point, synchronized and unbuffered. As a result, a channel needs no process queue, no message queue and no message buffer.

A channel between two processes executing on the same CPU is implemented by a single word in memory; a channel between processes executing on different processors is implemented by point-

to-point links. The processor provides a number of operations to support message passing, the most important being *in* (input message) and *out* (output message).

The *in* and *out* instructions use the address of the channel to determine whether the channel is internal or external. This means that the same instruction sequence can be used for both hard and soft channels, allowing a process to be written and compiled without knowledge of where its channels are implemented.

Communication takes place when both the inputting and outputting processes are ready. Consequently, the process which first becomes ready must wait until the second one is also ready. The inputting and outputting processes only become active when the communication has completed.

A process performs an input or output by loading the evaluation stack with, a pointer to a message, the address of a channel, and a count of the number of bytes to be transferred, and then executing an *in* or *out* instruction.

4.5 Timers

There are two 32-bit hardware timer clocks which ‘tick’ periodically. These are independent of any on-chip peripheral real time clock. The timers provide accurate process timing, allowing processes to deschedule themselves until a specific time.

One timer is accessible only to high priority processes and is incremented every microsecond, cycling completely in approximately 4295 seconds. The other is accessible only to low priority processes and is incremented every 64 microseconds, giving 15625 ticks in one second. It has a full period of approximately 76 hours. All times are approximate due to the clock rate.

Register	Function
ClockReg0	Current value of high priority (level 0) process clock
ClockReg1	Current value of low priority (level 1) process clock
TnextReg0	Indicates time of earliest event on high priority (level 0) timer queue
TnextReg1	Indicates time of earliest event on low priority (level 1) timer queue
TptrReg0	High priority timer queue
TptrReg1	Low priority timer queue

Table 4.2 Timer registers

The current value of the processor clock can be read by executing a *ldtimer* (load timer) instruction. A process can arrange to perform a *tin* (timer input), in which case it will become ready to execute after a specified time has been reached. The *tin* instruction requires a time to be specified. If this time is in the ‘past’ then the instruction has no effect. If the time is in the ‘future’ then the process is descheduled. When the specified time is reached the process becomes active. In addition, the *ldclock* (load clock), *stclock* (store clock) instructions allow total control over the clock value and the *clockenb* (clock enable), *clockdis* (clock disable) instructions allow each clock to be individually stopped and re-started.

Figure 4.3 shows two processes waiting on the timer queue, one waiting for time 21, the other for time 31.

Note, these timers stop counting when power-down mode (see Section 10.2 on page 61) is invoked.

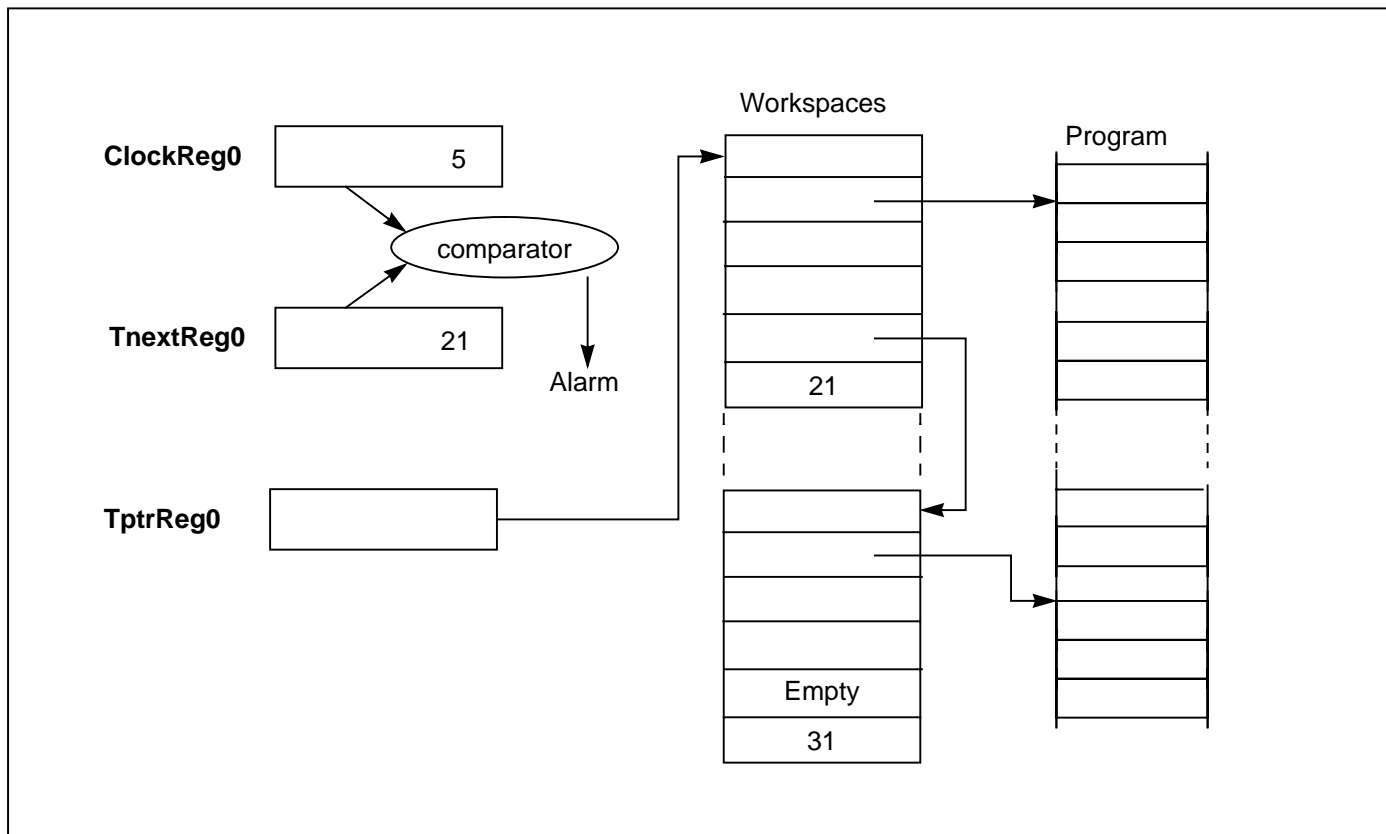


Figure 4.3 Timer registers

4.6 Traps and exceptions

A software error, such as arithmetic overflow or array bounds violation, can cause an error flag to be set in the CPU. The flag is directly connected to the **ErrorOut** pin. Both the flag and the pin can be ignored, or the CPU stopped. Stopping the CPU on an error means that the error cannot cause further corruption. As well as containing the error in this way it is possible to determine the state of the CPU and its memory at the time the error occurred. This is particularly useful for postmortem debugging where the debugger can be used to examine the state and history of the processor leading up to and causing the error condition.

In addition, if a trap handler process is installed, a variety of traps/exceptions can be trapped and handled by software. A user supplied trap handler routine can be provided for each high/low process priority level. The handler is started when a trap occurs and is given the reason for the trap. The trap handler is not re-entrant and must not cause a trap itself within the same group. All traps are individually maskable.

4.6.1 Trap groups

The trap mechanism is arranged on a per priority basis. For each priority there is a handler for each group of traps, as shown in Figure 4.4.

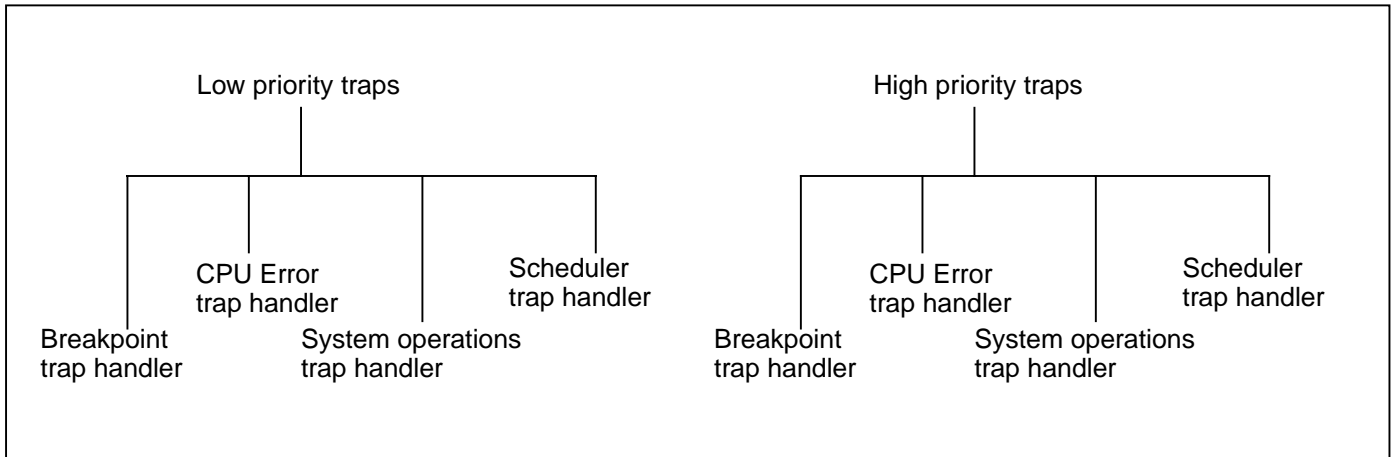


Figure 4.4 Trap arrangement

There are four groups of traps, as detailed below.

- Breakpoint

This group consists of the *Breakpoint* trap. The breakpoint instruction (*j0*) calls the breakpoint routine via the trap mechanism.

- Errors

The traps in this group are *IntegerError* and *Overflow*. *Overflow* represents arithmetic overflow, such as arithmetic results which do not fit in the result word. *IntegerError* represents errors caused when data is erroneous, for example when a range checking instruction finds that data is out of range.

- System operations

This group consists of the *LoadTrap*, *StoreTrap* and *IllegalOpcode* traps. The *IllegalOpcode* trap is signalled when an attempt is made to execute an illegal instruction. The *LoadTrap* and *StoreTrap* traps allow a kernel to intercept attempts by a monitored process to change or examine trap handlers or trapped process information. It enables a user program to signal to a kernel that it wishes to install a new trap handler.

- Scheduler

The scheduler trap group consists of the *ExternalChannel*, *InternalChannel*, *Timer*, *TimeSlice*, *Run*, *Signal*, *ProcessInterrupt* and *QueueEmpty* traps. The *ProcessInterrupt* trap signals that the machine has performed a priority interrupt from low to high. The *QueueEmpty* trap indicates that there is no further executable work to perform. The other traps in this group indicate that the hardware scheduler wants to schedule a process on a process queue, with the different traps enabling the different sources of this to be monitored.

The scheduler traps enable a software scheduler kernel to use the hardware scheduler to implement a multi-priority software scheduler.

Note that scheduler traps are different from other traps as they are caused by the micro-scheduler rather than by an executing process.

Note, when the scheduler trap is caused by a process that is ready to be scheduled, the **Wptr** of that process is stored in the workspace of the scheduler trap handler, at address 0. The trap handler can access this using a *ldl 0* instruction.

Trap groups encoding is shown in Table 4.4 below. These codes are used to identify trap groups to various instructions.

Trap group	Code
Breakpoint	0
CPU Errors	1
System operations	2
Scheduler	3

Table 4.3 Trap group codes

In addition to the trap groups mentioned above, the **CauseError** flag in the **Status** register is used to signal when a trap condition has been activated by the *causeerror* instruction. It can be used to indicate when trap conditions have occurred due to the user setting them, rather than by the system.

4.6.2 Events that can cause traps

Table 4.4 summarizes the events that can cause traps and gives the encoding of bits in the trap **Status** and **Enable** words.

Trap cause	Status/Enable codes	Trap group	Comments
<i>Breakpoint</i>	0	0	When a process executes the breakpoint instruction (<i>j0</i>) then it traps to its trap handler.
<i>IntegerError</i>	1	1	Integer error other than integer overflow – e.g. explicitly checked or explicitly set error.
<i>Overflow</i>	2	1	Integer overflow or integer division by zero.
<i>IllegalOpcode</i>	3	2	Attempt to execute an illegal instruction. This is signalled when <i>opr</i> (operate) is executed with an invalid operand.
<i>LoadTrap</i>	4	2	When the trap descriptor is read with the <i>ldtraph</i> (load trap handler) instruction or when the trapped process status is read with the <i>ldtrapped</i> (load trapped) instruction.
<i>StoreTrap</i>	5	2	When the trap descriptor is written with the <i>sttraph</i> (store trap handler) instruction or when the trapped process status is written with the <i>sttrapped</i> (store trapped) instruction.
<i>InternalChannel</i>	6	3	Scheduler trap from internal channel.
<i>ExternalChannel</i>	7	3	Scheduler trap from external channel.
<i>Timer</i>	8	3	Scheduler trap from timer alarm.
<i>Timeslice</i>	9	3	Scheduler trap from timeslice.
<i>Run</i>	10	3	Scheduler trap from <i>runp</i> (run process) or <i>startp</i> (start process).
<i>Signal</i>	11	3	Scheduler trap from <i>signal</i> .
<i>ProcessInterrupt</i>	12	3	Start executing a process at a new priority level.
<i>QueueEmpty</i>	13	3	Caused by no process active at a priority level.
<i>CauseError</i>	15 (Status only)	Any, encoded 0-3	Signals that the <i>causeerror</i> instruction set the trap flag.

Table 4.4 Trap causes and **Status/Enable** codes

4.6.3 Trap handlers

For each trap handler there is a trap handler structure and a trapped process structure. Both the trap handler structure and the trapped process structure are in memory and can be accessed via instructions, see Section 4.6.4.

The trap handler structure specifies what should happen when a trap condition is present, see Table 4.6.

	Comments	
Iptra	Iptra of trap handler process.	Base + 3
Wptra	Wptra of trap handler process.	Base + 2
Status	Contains the Status register that the trap handler starts with.	Base + 1
Enables	Contains a word which encodes the trap enable and global interrupt masks which will be ANDed with the existing masks to allow the trap handler to disable various events while it runs.	Base + 0

Table 4.5 Trap handler structure

The trapped process structure saves some of the state of the process that was running when the trap was taken, see Table 4.7.

	Comments	
Iptra	Points to the instruction after the one that caused the trap condition.	Base + 3
Wptra	Wptra of the process that was running when the trap was taken.	Base + 2
Status	The relevant trap bit is set, see Table 4.5 for trap codes.	Base + 1
Enables	Interrupt enables.	Base + 0

Table 4.6 Trapped process structure

In addition, for each priority, there is an **Enables** register and a **Status** register. The **Enables** register contains flags to enable each cause of trap. The **Status** register contains flags to indicate which trap conditions have been detected. The **Enables** and **Status** register bit encodings are given in Table 4.4.

A trap will be taken at an interruptible point if a trap is set and the corresponding trap enable bit is set in the **Enables** register. If the trap is not enabled then nothing is done with the trap condition. If the trap is enabled then the corresponding bit is set in the **Status** register to indicate the trap condition has occurred.

When a process takes a trap the processor saves the existing **Iptra**, **Wptra**, **Status** and **Enables** in the trapped process structure. It then loads **Iptra**, **Wptra** and **Status** from the equivalent trap handler structure and ANDs the value in **Enables** with the value in the structure. This allows the user to disable various events while in the handler, in particular a trap handler must disable all the traps of its trap group to avoid the possibility of a handler trapping to itself.

The trap handler then executes. The values in the trapped process structure can be examined using the *Idtrapped* instruction (see Section 4.6.4). When the trap handler has completed its operation it returns to the trapped process via the *tret* (trap return) instruction. This reloads the values saved in the trapped process structure and clears the trap flag in **Status**.

Note that when a trap handler is started, **Areg**, **Breg** and **Creg** are not saved. The trap handler must save the **Areg**, **Breg**, **Creg** registers using *stl* (store local).

4.6.4 Trap instructions

Trap handlers and trapped processes can be set up and examined via the *ldtraph*, *sttraph*, *ldtrapped* and *sttrapped* instructions. Table 4.8 describes the instructions that may be used when dealing with traps.

Instruction	Meaning	Use
<i>ldtraph</i>	load trap handler	load the trap handler from memory to the trap handler descriptor
<i>sttraph</i>	store trap handler	store an existing trap handler descriptor to memory
<i>ldtrapped</i>	load trapped	load replacement trapped process status from memory
<i>sttrapped</i>	store trapped	store trapped process status to memory
<i>trapenb</i>	trap enable	enable traps
<i>trapdis</i>	trap disable	disable traps
<i>tret</i>	trap return	used to return from a trap handler
<i>causeerror</i>	cause error	program can simulate the occurrence of an error

Table 4.7 Instructions which may be used when dealing with traps

The first four instructions transfer data to/from the trap handler structures or trapped process structures from/to an area in memory. In these instructions **Areg** contains the trap group code (see Table 4.4) and **Breg** points to the 4 word area of memory used as the source or destination of the transfer. In addition **Creg** contains the priority of the handler to be installed/examined in the case of *ldtraph* or *sttraph*. *ldtrapped* and *sttrapped* apply only to the current priority.

If the *LoadTrap* trap is enabled then *ldtraph* and *ldtrapped* do not perform the transfer but set the **LoadTrap** trap flag. If the *StoreTrap* trap is enabled then *sttraph* and *sttrapped* do not perform the transfer but set the **StoreTrap** trap flag.

The trap enable masks are encoded by an array of bits (see Table 4.5) which are set to indicate which traps are enabled. This array of bits is stored in the lower half-word of the **Enables** register. There is an **Enables** register for each priority. Traps are enabled or disabled by loading a mask into **Areg** with bits set to indicate which traps are to be affected and the priority to affect in **Breg**. Executing *trapenb* ORs the mask supplied in **Areg** with the trap enables mask in the **Enables** register for the priority in **Breg**. Executing *trapdis* negates the mask supplied in **Areg** and ANDs it with the trap enables mask in the **Enables** register for the priority in **Breg**. Both instructions return the previous value of the trap enables mask in **Areg**.

4.6.5 Restrictions on trap handlers

There are various restrictions that must be placed on trap handlers to ensure that they work correctly.

- 1 Trap handlers must not deschedule or timeslice. Trap handlers alter the **Enables** masks, therefore they must not allow other processes to execute until they have completed.
- 2 Trap handlers must have their **Enable** masks set to mask all traps in their trap group to avoid the possibility of a trap handler trapping to itself.
- 3 Trap handlers must terminate via the *tret* (trap return) instruction. The only exception to this is that a scheduler kernel may use *restart* to return to a previously shadowed process.

5 Interrupt controller

The ST20-GP1 supports external interrupts, enabling an on-chip subsystem or external interrupt pin to interrupt the currently running process in order to run an interrupt handling process.

The ST20-GP1 interrupt subsystem supports five prioritized interrupts. This allows nested preemptive interrupts for real-time system design. Three interrupts are connected to on-chip peripherals (2 for the UARTs, 1 for the programmable IO) and two are available as external interrupt pins.

All interrupts are at a higher priority than the high priority process queue, see Figure 5.1. Each interrupt level has a higher priority than the previous (interrupt 0 is lowest priority) and each level supports only one software handler process. Note that interrupt handlers must not prevent the GPS DSP data traffic from being handled. During continuous operation this has 1 ms latency and is not a problem, but during initial acquisition it has a 32 μ s rate and thus all interrupts must be disabled except if used to stop GPS operation.

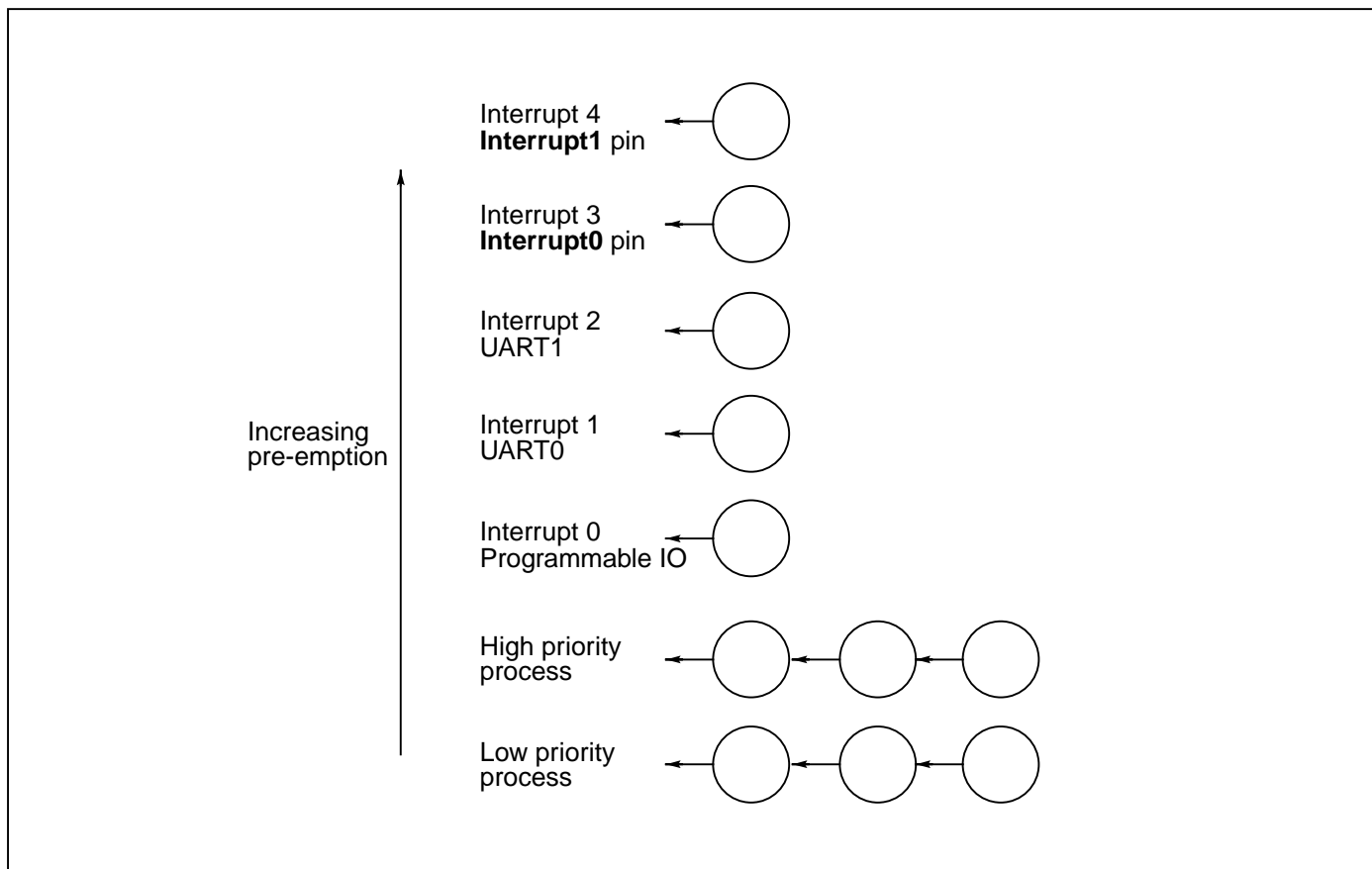


Figure 5.1 Interrupt priority

Interrupts on the ST20-GP1 are implemented via an on-chip interrupt controller peripheral. An interrupt can be signalled to the controller by one of the following:

- a signal on an external **Interrupt** pin
- a signal from an internal peripheral or subsystem
- software asserting an interrupt in a bit mask

5.1 Interrupt vector table

The interrupt controller contains a table of pointers to interrupt handlers. Each interrupt handler is represented by its workspace pointer (**Wptr**). The table contains a workspace pointer for each level of interrupt.

The **Wptr** gives access to the code, data and interrupt save space of the interrupt handler. The position of the **Wptr** in the interrupt table implies the priority of the interrupt.

Run-time library support is provided for setting and programming the vector table.

5.2 Interrupt handlers

At any interruptible point in its execution the CPU can receive an interrupt request from the interrupt controller. The CPU immediately acknowledges the request.

In response to receiving an interrupt the CPU performs a procedure call to the process in the vector table. The state of the interrupted process is stored in the workspace of the interrupt handler as shown in Figure 5.2. Each interrupt level has its own workspace.

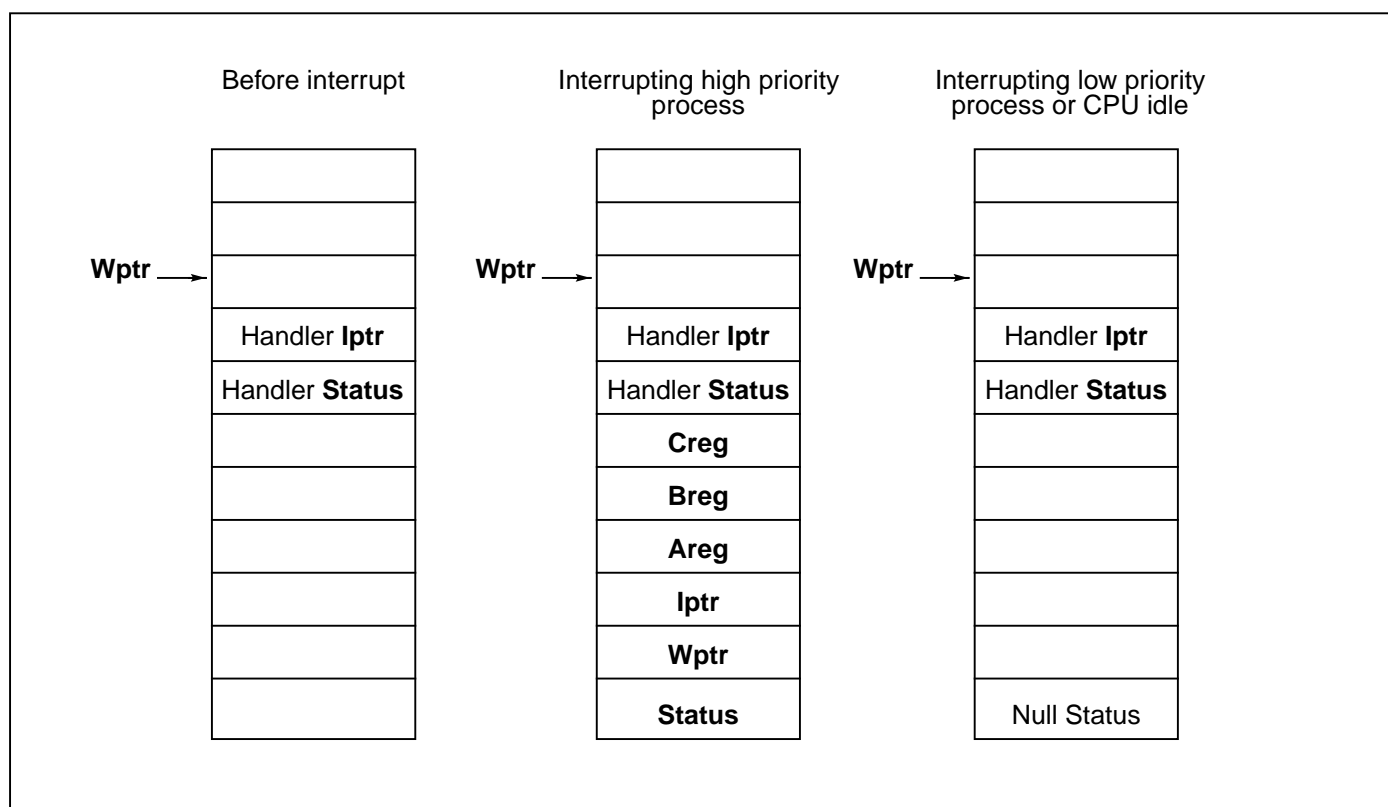


Figure 5.2 State of interrupted process

The interrupt routine is initialized with space below **Wptr**. The **Iptra** and **Status** word for the routine are stored there permanently. This should be programmed before the **Wptr** is written into the vector table. The behavior of the interrupt differs depending on the priority of the CPU when the interrupt occurs.

When an interrupt occurs when the CPU was running at high priority, the CPU saves the current process state (**Areg**, **Breg**, **Creg**, **Wptr**, **Iptra** and **Status**) into the workspace of the interrupt handler. The value **HandlerWptr**, which is stored in the interrupt controller, points to the top of this

workspace. The values of **Ip**tr and **Status** to be used by the interrupt handler are loaded from this workspace and starts executing the handler. The value of **Wp**tr is then set to the bottom of this save area.

When an interrupt occurs when the CPU was idle or running at low priority, the **Status** is saved. This indicates that no valid process is running (*Null Status*). The interrupted processes (low priority process) state is stored in shadow registers. This state can be accessed via the *ldshadow* (load shadow registers) and *stshadow* (store shadow registers) instructions. The interrupt handler is then run at high priority.

When the interrupt routine has completed it must adjust **Wp**tr to the value at the start of the handler code and then execute the *iret* (interrupt return) instruction. This restores the interrupted state from the interrupt handler structure and signals to the interrupt controller that the interrupt has completed. The processor will then continue from where it was before being interrupted.

5.3 Interrupt latency

The interrupt latency is dependent on the data being accessed and the position of the interrupt handler and the interrupted process. This allows systems to be designed with the best trade-off use of fast internal memory and interrupt latency.

5.4 Pre-emption and interrupt priority

Each interrupt channel has an implied priority fixed by its place in the interrupt vector table. All interrupts will cause scheduled processes of any priority to be suspended and the interrupt handler started. Once an interrupt has been sent from the controller to the CPU the controller keeps a record of the current executing interrupt priority. This is only cleared when the interrupt handler executes a return from interrupt (*iret*) instruction. Interrupts of a lower priority arriving will be blocked by the interrupt controller until the interrupt priority has descended to such a level that the routine will execute. An interrupt of a higher priority than the currently executing handler will be passed to the CPU and cause the current handler to be suspended until the higher priority interrupt is serviced.

In this way interrupts can be nested and a higher priority interrupt will always pre-empt a lower priority one. Deep nesting and placing frequent interrupts at high priority can result in a system where low priority interrupts are never serviced or the controller and CPU time are consumed in nesting interrupt priorities and not executing the interrupt handlers.

5.5 Restrictions on interrupt handlers

There are various restrictions that must be placed on interrupt handlers to ensure that they interact correctly with the rest of the process model implemented in the CPU.

- 1 Interrupt handlers must not deschedule.
- 2 Interrupt handlers must not execute communication instructions. However they may communicate with other processes through shared variables using the semaphore *signal* to synchronize.
- 3 Interrupt handlers must not perform block move instructions.
- 4 Interrupt handlers must not cause program traps. However they may be trapped by a scheduler trap.

5.6 Interrupt configuration registers

The interrupt controller is allocated a 4k block of memory in the internal peripheral address space. Information on interrupts is stored in registers as detailed in the following section. The registers can be examined and set by the *dev/w* (device load word) and *devsw* (device store word) instructions. Note, they can not be accessed using memory instructions.

HandlerWptr register

The **HandlerWptr** registers (1 per interrupt) contain a pointer to the workspace of the interrupt handler.

Note, before the interrupt is enabled, by writing a 1 in the **Mask** register, the user (or toolset) must ensure that there is a valid **Wptr** in the register.

HandlerWptr0-4		Interrupt controller base address + #00 to #10	Read/Write
Bit	Bit field	Function	
31:2	HandlerWptr	Pointer to the workspace of the interrupt handler.	
1:0		RESERVED. Write 0.	

Table 5.1 **HandlerWptr** register format — one register per interrupt

TriggerMode register

Each interrupt channel can be programmed to trigger on rising/falling edges or high/low levels on the external **Interrupt**.

TriggerMode0-4		Interrupt controller base address + #40 to #50	Read/Write
Bit	Bit field	Function	
2:0	Trigger	Control the triggering condition of the Interrupt , as follows: Trigger2:0 Interrupt triggers on 000 No trigger mode 001 High level - triggered while input high 010 Low level - triggered while input low 011 Rising edge - low to high transition 100 Falling edge - high to low transition 101 Any edge - triggered on rising and falling edges 110 No trigger mode 111 No trigger mode	

Table 5.2 **TriggerMode** register format — one register per interrupt

Note, level triggering is different to edge triggering in that if the input is held at the triggering level, a continuous stream of interrupts is generated.

Mask register

An interrupt mask register is provided in the interrupt controller to selectively enable or disable external interrupts. This mask register also includes a global interrupt disable bit to disable all external interrupts whatever the state of the individual interrupt mask bits.

To complement this the interrupt controller also includes an interrupt pending register which contains a pending flag for each interrupt channel. The **Mask** register performs a masking function on the **Pending** register to give control over what is allowed to interrupt the CPU while retaining the ability to continually monitor external interrupts.

On start-up, the **Mask** register is initialized to zero's, thus all interrupts are disabled, both globally and individually. When a 1 is written to the **GlobalEnable** bit, the individual interrupt bits are still disabled and must also have a 1 individually written to the **InterruptEnable** bit to enable the respective interrupt.

Mask		Interrupt controller base address + #C0	Read/Write
Bit	Bit field	Function	
0	Interrupt0Enable	When set to 1, interrupt 0 is enabled. When 0, interrupt 0 is disabled.	
1	Interrupt1Enable	When set to 1, interrupt 1 is enabled. When 0, interrupt 1 is disabled.	
2	Interrupt2Enable	When set to 1, interrupt 2 is enabled. When 0, interrupt 2 is disabled.	
3	Interrupt3Enable	When set to 1, interrupt 3 is enabled. When 0, interrupt 3 is disabled.	
4	Interrupt4Enable	When set to 1, interrupt 4 is enabled. When 0, interrupt 4 is disabled.	
16	GlobalEnable	When set to 1, the setting of the interrupt is determined by the specific InterruptEnable bit. When 0, all interrupts are disabled.	
15:5		RESERVED. Write 0.	

Table 5.3 **Mask** register format

The **Mask** register is mapped onto two additional addresses so that bits can be set or cleared individually.

Set_Mask (address 'interrupt base address + #C4') allows bits to be set individually. Writing a '1' in this register sets the corresponding bit in the **Mask** register, a '0' leaves the bit unchanged.

Clear_Mask (address 'interrupt base address + #C8') allows bits to be cleared individually. Writing a '1' in this register resets the corresponding bit in the **Mask** register, a '0' leaves the bit unchanged.

Pending register

The **Pending** register contains a bit per interrupt with each bit controlled by the corresponding interrupt. A read can be used to examine the state of the interrupt controller while a write can be used to explicitly trigger an interrupt.

A bit is set when the triggering condition for an interrupt is met. All bits are independent so that several bits can be set in the same cycle. Once a bit is set, a further triggering condition will have no effect. The triggering condition is independent of the **Mask** register.

The highest priority interrupt bit is reset once the interrupt controller has made an interrupt request to the CPU.

The interrupt controller receives external interrupt requests and makes an interrupt request to the CPU when it has a pending interrupt request of higher priority than the currently executing interrupt handler.

Pending		Interrupt controller base address + #80	Read/Write
Bit	Bit field	Function	
0	PendingInt0	Interrupt 0 pending bit.	
1	PendingInt1	Interrupt 1 pending bit.	
2	PendingInt2	Interrupt 2 pending bit.	
3	PendingInt3	Interrupt 3 pending bit.	
4	PendingInt4	Interrupt 4 pending bit.	

Table 5.4 **Pending** register format

The **Pending** register is mapped onto two additional addresses so that bits can be set or cleared individually.

Set_Pending (address 'interrupt base address + #84') allows bits to be set individually. Writing a '1' in this register sets the corresponding bit in the **Pending** register, a '0' leaves the bit unchanged.

Clear_Pending (address 'interrupt base address + #88') allows bits to be cleared individually. Writing a '1' in this register resets the corresponding bit in the **Pending** register, a '0' leaves the bit unchanged.

Note, if the CPU wants to write or clear some bits of the **Pending** register, the interrupts should be masked (by writing or clearing the **Mask** register) before writing or clearing the **Pending** register. The interrupts can then be unmasked.

Exec register

The **Exec** register keeps track of the currently executing and pre-empted interrupts. A bit is set when the CPU starts running code for that interrupt. The highest priority interrupt bit is reset once the interrupt handler executes a return from interrupt (*iret*).

Exec		Interrupt controller base address + #100	Read/Write
Bit	Bit field	Function	
0	Interrupt0Exec	Set to 1 when the CPU starts running code for interrupt 0.	
1	Interrupt1Exec	Set to 1 when the CPU starts running code for interrupt 1.	
2	Interrupt2Exec	Set to 1 when the CPU starts running code for interrupt 2.	
3	Interrupt3Exec	Set to 1 when the CPU starts running code for interrupt 3.	
4	Interrupt4Exec	Set to 1 when the CPU starts running code for interrupt 4.	

Table 5.5 **Exec** register format

The **Exec** register is mapped onto two additional addresses so that bits can be set or cleared individually.

Set_Exec (address 'interrupt base address + #104') allows bits to be set individually. Writing a '1' in this register sets the corresponding bit in the **Exec** register, a '0' leaves the bit unchanged.

Clear_Exec (address 'interrupt base address + #108') allows bits to be cleared individually. Writing a '1' in this register resets the corresponding bit in the **Exec** register, a '0' leaves the bit unchanged.

6 Instruction set

This chapter provides information on the instruction set. It contains tables listing all the instructions, and where applicable provides details of the number of processor cycles taken by an instruction.

The instruction set has been designed for simple and efficient compilation of high-level languages. All instructions have the same format, designed to give a compact representation of the operations occurring most frequently in programs.

Each instruction consists of a single byte divided into two 4-bit parts. The four most significant bits (MSB) of the byte are a function code and the four least significant bits (LSB) are a data value, as shown in Figure 6.1.

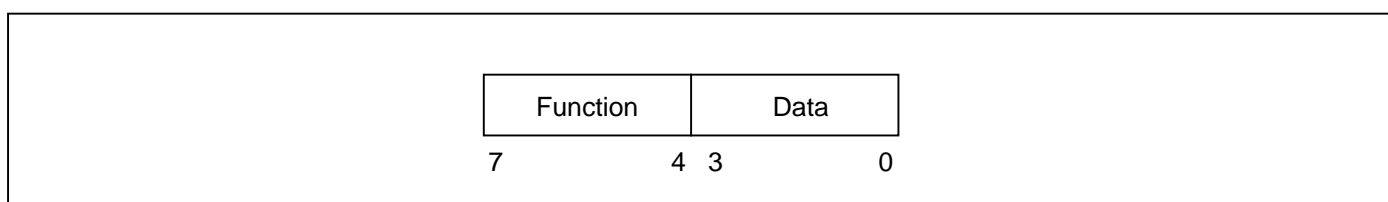


Figure 6.1 Instruction format

For further information on the instruction set refer to the *ST20 Instruction Set Manual (document number 72-TRN-273-01)*.

6.1 Instruction cycles

Timing information is available for some instructions. However, it should be noted that many instructions have ranges of timings which are data dependent.

Where included, timing information is based on the number of clock cycles assuming any memory accesses are to 2 cycle internal memory and no other subsystem is using memory. Actual time will be dependent on the speed of external memory and memory bus availability.

Note that the actual time can be increased by:

- 1 the instruction requiring a value on the register stack from the final memory read in the previous instruction — the current instruction will stall until the value becomes available.
- 2 the first memory operation in the current instruction can be delayed while a preceding memory operation completes — any two memory operations can be in progress at any time, any further operation will stall until the first completes.
- 3 memory operations in current instructions can be delayed by access by instruction fetch or subsystems to the memory interface.
- 4 there can be a delay between instructions while the instruction fetch unit fetches and partially decodes the next instruction — this will be the case whenever an instruction causes the instruction flow to jump.

Note that the instruction timings given refer to 'standard' behavior and may be different if, for example, traps are set by the instruction.

6.2 Instruction characteristics

The Primary Instructions Table 6.3 gives the basic function code. Where the operand is less than 16, a single byte encodes the complete instruction. If the operand is greater than 15, one prefix instruction (*prefix*) is required for each additional four bits of the operand. If the operand is negative the first prefix instruction will be *nfix*. Examples of *prefix* and *nfix* coding are given in Table 6.1.

Mnemonic	Function code	Memory code
<i>ldc</i> #3	#4	#43
<i>ldc</i> #35		
is coded as		
<i>prefix</i> #3	#2	#23
<i>ldc</i> #5	#4	#45
<i>ldc</i> #987		
is coded as		
<i>prefix</i> #9	#2	#29
<i>prefix</i> #8	#2	#28
<i>ldc</i> #7	#4	#47
<i>ldc</i> -31 (<i>ldc</i> #FFFFFFE1)		
is coded as		
<i>nfix</i> #1	#6	#61
<i>ldc</i> #1	#4	#41

Table 6.1 Prefix coding

Any instruction which is not in the instruction set tables is an invalid instruction and is flagged illegal, returning an error code to the trap handler, if loaded and enabled.

The **Notes** column of the tables indicates the descheduling and error features of an instruction as described in Table 6.2.

Ident	Feature
E	Instruction can set an <i>IntegerError</i> trap
L	Instruction can cause a <i>LoadTrap</i> trap
S	Instruction can cause a <i>StoreTrap</i> trap
O	Instruction can cause an <i>Overflow</i> trap
I	Interruptible instruction
A	Instruction can be aborted and later restarted.
D	Instruction can deschedule
T	Instruction can timeslice

Table 6.2 Instruction features

6.3 Instruction set tables

Function code	Memory code	Mnemonic	Processor cycles	Name	Notes
0	0X	j	7	jump	D, T
1	1X	ldlp	1	load local pointer	
2	2X	prefx	0 to 3	prefix	
3	3X	ldnl	1	load non-local	
4	4X	ldc	1	load constant	
5	5X	ldnlp	1	load non-local pointer	
6	6X	nfix	0 to 3	negative prefix	
7	7X	ldl	1	load local	
8	8X	adc	2 to 3	add constant	O
9	9X	call	8	call	
A	AX	cj	1 or 7	conditional jump	
B	BX	ajw	2	adjust workspace	
C	CX	eqc	1	equals constant	
D	DX	stl	1	store local	
E	EX	stnl	2	store non-local	
F	FX	opr	0	operate	

Table 6.3 Primary functions

Memory code	Mnemonic	Processor cycles	Name	Notes
22FA	testpranal	1	test processor analyzing	
23FE	saveh	3	save high priority queue registers	
23FD	savel	3	save low priority queue registers	
21F8	sthf	1	store high priority front pointer	
25F0	sthb	1	store high priority back pointer	
21FC	stlf	1	store low priority front pointer	
21F7	stlb	1	store low priority back pointer	
25F4	sttimer	2	store timer	
2127FC	lddevid	1	load device identity†	
27FE	ldmemstartval	1	load value of MemStart address	

†See Section 22

Table 6.4 Processor initialization operation codes

Memory code	Mnemonic	Processor cycles	Name	Notes
24F6	and	1	and	
24FB	or	1	or	
23F3	xor	1	exclusive or	
23F2	not	1	bitwise not	
24F1	shl	1	shift left	
24F0	shr	1	shift right	
F5	add	2	add	A, O
FC	sub	2	subtract	A, O
25F3	mul	3	multiply	A, O
27F2	fmul	5	fractional multiply	A, O
22FC	div	4 to 35	divide	A, O
21FF	rem	3 to 35	remainder	A, O
F9	gt	2	greater than	A
25FF	gtu	2	greater than unsigned	A
F4	diff	1	difference	
25F2	sum	1	sum	
F8	prod	3	product	A
26F8	satadd	2 to 3	saturating add	A
26F9	satsub	2 to 3	saturating subtract	A
26FA	satmul	4	saturating multiply	A

Table 6.5 Arithmetic/logical operation codes

Memory code	Mnemonic	Processor cycles	Name	Notes
21F6	ladd	2	long add	A, O
23F8	lsub	2	long subtract	A, O
23F7	lsum	1	long sum	
24FF	ldiff	1	long diff	
23F1	lmul	4	long multiply	A
21FA	ldiv	3 to 35	long divide	A, O
23F6	lshl	2	long shift left	A
23F5	lshr	2	long shift right	A
21F9	norm	3	normalize	A
26F4	slmul	4	signed long multiply	A, O
26F5	sulmul	4	signed times unsigned long multiply	A, O

Table 6.6 Long arithmetic operation codes

Memory code	Mnemonic	Processor cycles	Name	Notes
F0	rev	1	reverse	
23FA	xword	3	extend to word	A
25F6	cword	2 to 3	check word	A, E
21FD	xdbl	1	extend to double	
24FC	csngl	2	check single	A, E
24F2	mint	1	minimum integer	
25FA	dup	1	duplicate top of stack	
27F9	pop	1	pop processor stack	
68FD	reboot	2	reboot	

Table 6.7 General operation codes

Memory code	Mnemonic	Processor cycles	Name	Notes
F2	bsub	1	byte subscript	
FA	wsub	1	word subscript	
28F1	wsubdb	1	form double word subscript	
23F4	bcnt	1	byte count	
23FF	wcnt	1	word count	
F1	lb	1	load byte	
23FB	sb	2	store byte	
24FA	move		move message	I

Table 6.8 Indexing/array operation codes

Memory code	Mnemonic	Processor cycles	Name	Notes
22F2	ldtimer	1	load timer	
22FB	tin		timer input	I
24FE	talt	3	timer alt start	
25F1	taltwt		timer alt wait	D, I
24F7	enbt	1 to 7	enable timer	
22FE	dist		disable timer	I

Table 6.9 Timer handling operation codes

Memory code	Mnemonic	Processor cycles	Name	Notes
F7	in		input message	D
FB	out		output message	D
FF	outword		output word	D
FE	outbyte		output byte	D
24F3	alt	2	alt start	
24F4	altwt	3 to 6	alt wait	D
24F5	altend	8	alt end	
24F9	enbs	1 to 2	enable skip	
23F0	diss	1	disable skip	
21F2	resetch	3	reset channel	
24F8	enbc	1 to 4	enable channel	
22FF	disc	1 to 6	disable channel	

Table 6.10 Input and output operation codes

Memory code	Mnemonic	Processor cycles	Name	Notes
22F0	ret	2	return	
21FB	ldpi	1	load pointer to instruction	
23FC	gajw	2 to 3	general adjust workspace	
F6	gcall	6	general call	
22F1	lend	4 to 5	loop end	T

Table 6.11 Control operation codes

Memory code	Mnemonic	Processor cycles	Name	Notes
FD	startp	5 to 6	start process	
F3	endp	4 to 6	end process	D
23F9	runp	3	run process	
21F5	stopp	2	stop process	
21FE	ldpri	1	load current priority	

Table 6.12 Scheduling operation codes

Memory code	Mnemonic	Processor cycles	Name	Notes
21F3	csub0	2	check subscript from 0	A, E
24FD	ccnt1	2	check count from 1	A, E
22F9	testerr	1	test error false and clear	
21F0	seterr	1	set error	
25F5	stoperr	1 to 3	stop on error (no error)	D
25F7	clrhalterr	2	clear halt-on-error	
25F8	sethalterr	1	set halt-on-error	
25F9	testhalterr	1	test halt-on-error	

Table 6.13 Error handling operation codes

Memory code	Mnemonic	Processor cycles	Name	Notes
25FB	move2dinit	1	initialize data for 2D block move	
25FC	move2dall		2D block copy	I
25FD	move2dnnonzero		2D block copy non-zero bytes	I
25FE	move2dzero		2D block copy zero bytes	I

Table 6.14 2D block move operation codes

Memory code	Mnemonic	Processor cycles	Name	Notes
27F4	crcword	34	calculate crc on word	A
27F5	crcbyte	10	calculate crc on byte	A
27F6	bitcnt	3	count bits set in word	A
27F7	bitrevword	1	reverse bits in word	
27F8	bitrevnbits	2	reverse bottom n bits in word	A

Table 6.15 CRC and bit operation codes

Memory code	Mnemonic	Processor cycles	Name	Notes
27F3	cflerr	2	check floating point error	E
29FC	fpsterr	1	load value true (FPU not present)	
26F3	unpacksn	4	unpack single length floating point number	A
26FD	roundsn	7	round single length floating point number	A
26FC	postnormsn	7 to 8	post-normalize correction of single length floating point number	A
27F1	ldinf		load single length infinity	

Table 6.16 Floating point support operation codes

Memory code	Mnemonic	Processor cycles	Name	Notes
2CF7	cir	2 to 4	check in range	A, E
2CFC	ciru	2 to 4	check in range unsigned	A, E
2BFA	cb	2 to 3	check byte	A, E
2BFB	cbu	2 to 3	check byte unsigned	A, E
2FFA	cs	2 to 3	check sixteen	A, E
2FFB	csu	2 to 3	check sixteen unsigned	A, E
2FF8	xsword	2	sign extend sixteen to word	A
2BF8	xbword	3	sign extend byte to word	A

Table 6.17 Range checking and conversion instructions

Memory code	Mnemonic	Processor cycles	Name	Notes
2CF1	ssub	1	sixteen subscript	
2CFA	ls	1	load sixteen	
2CF8	ss	2	store sixteen	
2BF9	lbx	1	load byte and sign extend	
2FF9	lsx	1	load sixteen and sign extend	

Table 6.18 Indexing/array instructions

Memory code	Mnemonic	Processor cycles	Name	Notes
2FF0	devlb	3	device load byte	A
2FF2	devls	3	device load sixteen	A
2FF4	devlw	3	device load word	A
62F4	devmove		device move	I
2FF1	devsb	3	device store byte	A
2FF3	devss	3	device store sixteen	A
2FF5	devsw	3	device store word	A

Table 6.19 Device access instructions

Memory code	Mnemonic	Processor cycles	Name	Notes
60F5	wait	4 to 10	wait	D
60F4	signal	6 to 10	signal	

Table 6.20 Semaphore instructions

Memory code	Mnemonic	Processor cycles	Name	Notes
60F0	swapqueue	3	swap scheduler queue	
60F1	swaptimer	5	swap timer queue	
60F2	insertqueue	1 to 2	insert at front of scheduler queue	
60F3	timeslice	3 to 4	timeslice	
60FC	ldshadow	6 to 23	load shadow registers	A
60FD	stshadow	5 to 17	store shadow registers	A
62FE	restart	19	restart	
62FF	causeerror	2	cause error	
61FF	iret	3 to 9	interrupt return	
2BF0	settimeslice	1	set timeslicing status	
2CF4	intdis	1	interrupt disable	
2CF5	intenb	2	interrupt enable	
2CFD	gintdis	2	global interrupt disable	
2CFE	gintenb	2	global interrupt enable	

Table 6.21 Scheduling support instructions

Memory code	Mnemonic	Processor cycles	Name	Notes
26FE	ldtraph	11	load trap handler	L
2CF6	ldtrapped	11	load trapped process status	L
2CFB	sttrapped	11	store trapped process status	S
26FF	sttraph	11	store trap handler	S
60F7	trapenb	2	trap enable	
60F6	trapdis	2	trap disable	
60FB	tret	9	trap return	

Table 6.22 Trap handler instructions

Memory code	Mnemonic	Processor cycles	Name	Notes
68FC	ldprodid	1	load product identity	
63F0	nop	1	no operation	

Table 6.23 Processor initialization and no operation instructions

Memory code	Mnemonic	Processor cycles	Name	Notes
64FF	clockenb	2	clock enable	
64FE	clockdis	2	clock disable	
64FD	ldclock	1	load clock	
64FC	stclock	2	store clock	

Table 6.24 Clock instructions

7 Memory map

The ST20-GP1 processor memory has a 32-bit signed address range. Words are addressed by 30-bit word addresses and a 2-bit byte-selector identifies the bytes in the word. Memory is divided into 4 banks which can each have different memory characteristics and can be used for different purposes. In addition, on-chip peripherals can be accessed via the device access instructions (see Table 6.19).

Various memory locations at the bottom and top of memory are reserved for special system purposes. There is also a default allocation of memory banks to different uses.

Note that the ST20-GP1 uses 30 bits of addressing internally, but addresses A20-A29 are not brought out to external pins. Address bits A30 and A31 are used as bank selects.

7.1 System memory use

The ST20-GP1 has a signed address space where the address ranges from **MinInt** (#80000000) at the bottom to **MaxInt** (#7FFFFFFF) at the top. The ST20-GP1 has an area of 4 Kbytes of RAM at the bottom of the address space provided by on chip memory. The bottom of this area is used to store various items of system state. These addresses should not be accessed directly but via the appropriate instructions.

Near the bottom of the address space there is a special address **MemStart**. Memory above this address is for use by user programs while addresses below it are for private use by the processor and used for subsystem channels and trap handlers. The address of **MemStart** can be obtained via the *ldmemstartval* instruction.

7.1.1 Subsystem channels memory

Each DMA channel between the processor and a subsystem is allocated a word of storage below **MemStart**. This is used by the processor to store information about the state of the channel. This information should not normally be examined directly, although debugging kernels may need to do so.

Boot channel

The subsystem channel which is a link input channel is identified as a 'boot channel'. When the processor is reset, and is set to boot from link, it waits for boot commands on this channel.

7.1.2 Trap handlers memory

The area of memory reserved for trap handlers is broken down hierarchically. Full details on trap handlers is given in see Section 4.6 on page 23.

- Each high/low process priority has a set of trap handlers.
- Each set of trap handlers has a handler for each of the four trap groups (refer to Section 4.6.1).
- Each trap group handler has a trap handler structure and a trapped process structure.
- Each of the structures contains four words, as detailed in Section 4.6.3.

The contents of these addresses can be accessed via *ldtraph*, *sttraph*, *ldtrapped* and *sttrapped* instructions.

7.2 Boot ROM

When the processor boots from ROM, it jumps to a boot program held in ROM with an entry point 2 bytes from the top of memory at #7FFFFFFE. These 2 bytes are used to encode a negative jump of up to 256 bytes down in the ROM program. For large ROM programs it may then be necessary to encode a longer negative jump to reach the start of the routine.

7.3 Internal peripheral space

On-chip peripherals are mapped to addresses in the top half of memory bank 2 (address range #20000000 to #3FFFFFFF). They can only be accessed by the device access instructions (see Table 6.19). When used with addresses in this range, the device instructions access the on-chip peripherals rather than external memory. For all other addresses the device instructions access memory. Standard load/store instructions to these addresses will access external memory.

This area of memory is allocated to peripherals in 4K blocks, see the following memory map.

	ADDRESS	USE	MEMORY BANK
MaxInt BootEntry	#7FFFFFFF		Bank 3
	#7FFFFFFE	Boot entry point	
	↑ #40000000	User code/Data/Stack and Boot ROM	
	↑ #2000E000	RESERVED	Bank 2
	↑ #2000C000	DSP controller peripheral (registers accessed via CPU device accesses)	
	↑ #2000A000	Parallel port controller peripheral (registers accessed via CPU device accesses)	
	↑ #20008000	PIO controller peripheral (registers accessed via CPU device accesses)	
	↑ #20006000	ASC1 controller peripheral (registers accessed via CPU device accesses)	
	↑ #20004000	ASC0 controller peripheral (registers accessed via CPU device accesses)	
	↑ #20002000	EMI controller peripheral (registers accessed via CPU device accesses)	
	↑ #20000000	Interrupt and low power controller peripheral (registers accessed via CPU device accesses)	
	↑ #00000000	External peripherals or memory	
	↑ #C0000000		
<i>Start of external memory</i> MemStart	↑ #80001000	User code/Data/Stack	Bank 0
	↑ #80000140		
	#80000130	Low priority Scheduler trapped process	
	#80000120	Low priority Scheduler trap handler	
	#80000110	Low priority SystemOperations trapped process	
	#80000100	Low priority SystemOperations trap handler	
	#800000F0	Low priority Error trapped process	
	#800000E0	Low priority Error trap handler	
	#800000D0	Low priority Breakpoint trapped process	
	#800000C0	Low priority Breakpoint trap handler	
	#800000B0	High priority Scheduler trapped process	
	#800000A0	High priority Scheduler trap handler	

Figure 7.1 ST20-GP1 memory map

	ADDRESS	USE	MEMORY BANK
TrapBase	#80000090	High priority SystemOperations trapped process	Bank 0
	#80000080	High priority SystemOperations trap handler	
	#80000070	High priority Error trapped process	
	#80000060	High priority Error trap handler	
	#80000050	High priority Breakpoint trapped process	
	#80000040	High priority Breakpoint trap handler	
	#8000003C	RESERVED	
	↑		
	#8000001C		
	#80000018	Byte wide parallel port input DMA channel	
	#80000014	DSP module DMA channel	
	#80000010	Link0 (boot) input channel	
	#8000000C	RESERVED	
	#80000008	Byte wide parallel port output DMA channel	
#80000004	RESERVED		
MinInt	#80000000	Link0 output channel	

Figure 7.1 ST20-GP1 memory map

8 Memory subsystem

The memory system consists of SRAM and a programmable memory interface. The specific details on the operation of the memory interface are described separately in Chapter 9.

8.1 SRAM

There is an internal memory module of 4 Kbytes of SRAM. The internal SRAM is mapped into the base of the memory space from **MinInt** (#80000000) extending upwards, as shown in Figure 8.1.

This memory can be used to store on-chip data, stack or code for time critical routines.

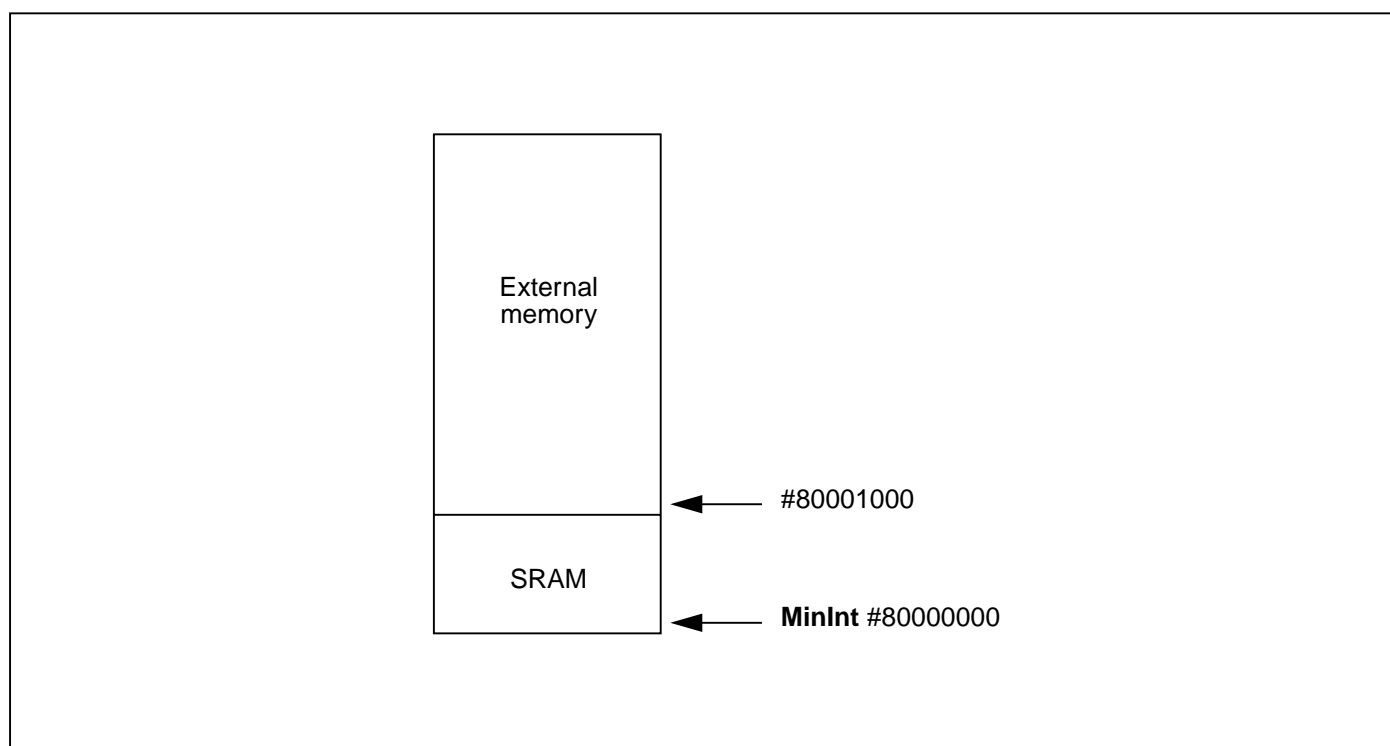


Figure 8.1 SRAM mapping

Where internal memory overlays external memory, internal memory is accessed in preference.

9 Programmable memory interface

The ST20-GP1 programmable memory interface provides glueless support for up to four banks of SRAM or ROM memory. Sufficient configuration options are provided to enable the interface to be used with a wide variety of SRAM speeds, permitting systems to be built with optimum price/performance trade-offs.

Although designed primarily for SRAM-like memory devices, the configurability enables glueless connection to other peripheral devices such as FIFOs and UARTs.

The programmable memory interface is also referred to as the external memory interface (EMI). The EMI provides configuration information for four independent banks of external memory devices. The addresses of these bank boundaries are hard wired to give each bank one quarter of the address space of the machine. Bank 0 occupies the lowest quarter of the [signed] address space, bank 3 is the highest, see Figure 9.1. Each bank can contain up to 1 Mbyte of external memory.

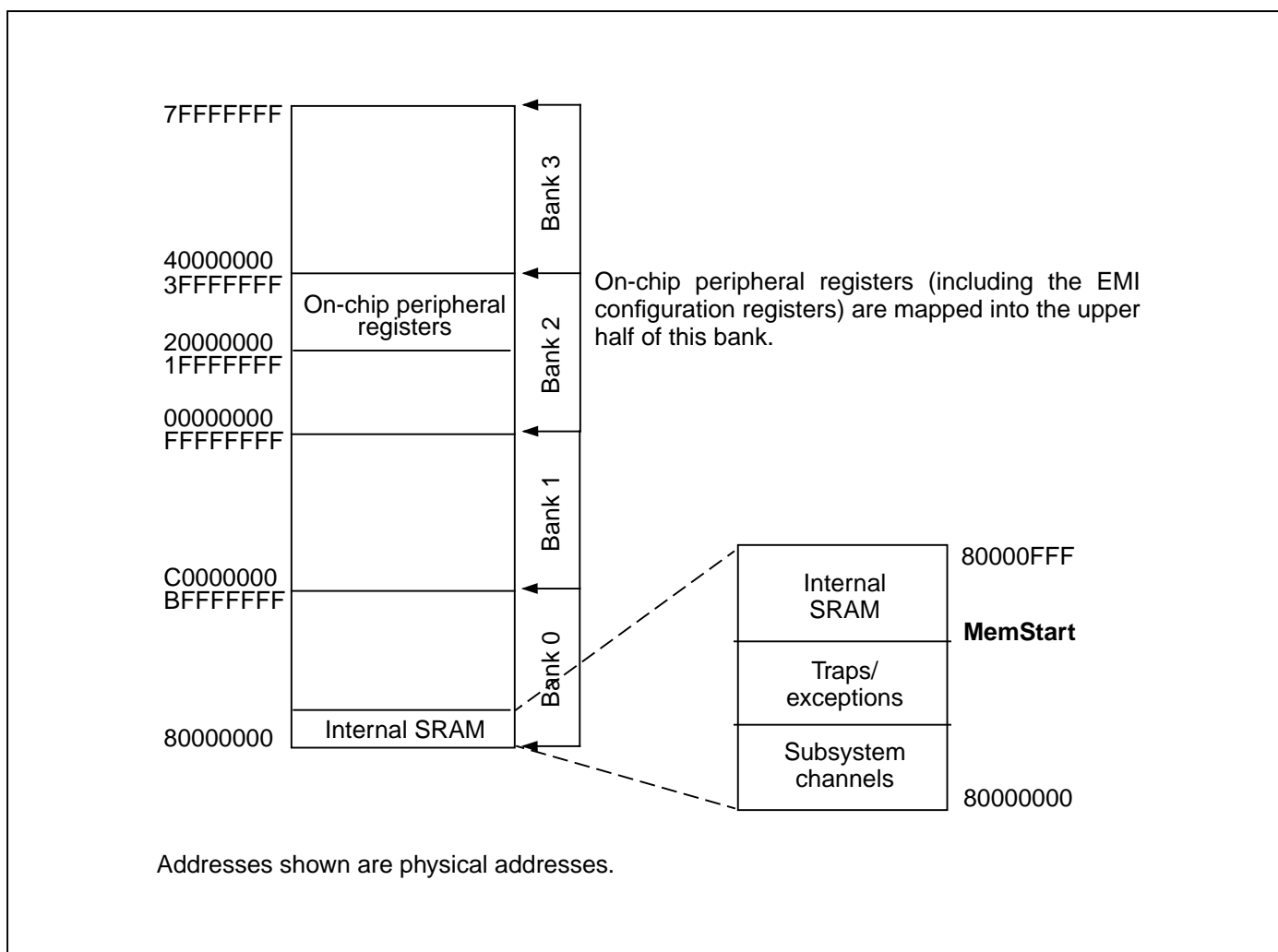


Figure 9.1 Memory allocation

9.1 EMI signal descriptions

The following section describes the functions of the EMI pins. Note that a signal name prefixed by **not** indicates active low.

MemAddr1-19

External address bus. The ST20-GP1 uses 30 bits of addressing internally but only the bottom 18 bits are brought out to external pins (**MemAddr2-19**); **MemAddr1** is generated by the EMI. **MemAddr1-19** is valid and constant for the whole duration of an external access. The memory locations in each bank can be accessed at multiple addresses, as bits 20-29 are ignored when making external accesses.

MemData0-15

External data bus. The data bus may be configured to be either 8 or 16 bits wide on a per bank basis. **MemData0** is always the least significant bit. **MemData7** is the most significant bit in 8-bit mode and **MemData15** is the most significant bit in 16-bit mode. When performing a write access to a bank configured to be 8-bits wide, **MemData8-15** are held in a high-impedance state for the duration of the access; **MemData0-7** behave according to the configuration parameters as specified in Section 9.5. When making a write to a bank configured to be 16-bits wide, **MemData0-15** behave according to the configuration parameters.

notMemCE0-3

Chip enable strobes, one per bank. The **notMemCE0-3** strobe corresponding to the bank being accessed will be active on both reads and writes to that bank.

notMemOE3-0

Output enable strobes, one per bank. The **notMemOE0-3** strobe corresponding to the bank being accessed will be active only on reads to that bank.

notMemWB0-1

Byte selector strobes to select bytes within a 16-bit half-word. These strobes are shared between all four banks. **notMemWB0** always corresponds to write data on **MemData0-7** whether the bus is currently 8 or 16 bits wide. When the EMI is writing to a bank configured to be 16 bits wide, **notMemWB1** corresponds to **MemData8-15**. When the EMI is accessing a bank configured to be 8 bits wide, **notMemWB1** becomes address bit 0 and follows the timing of **MemAddr1-19** for that bank.

MemWait

Halt external access. The EMI samples **MemWait** at or just after the midpoint of an access. If **MemWait** is sampled high, the access is stalled. **MemWait** will then continue to be sampled and the access proceeds when **MemWait** is sampled low. The action of **MemWait** may be disabled by software, see Section 9.4. No mechanism is provided to abort an access; if **MemWait** is held high too long the EMI will become a contentious resource and may stall the ST20-GP1.

BootSource0-1

These signals are sampled immediately after reset and determine both the bootstrap behavior and

the initial bus width of all banks after reset.

BootSource[1:0]	Bootstrap start-up conditions
00	Boot from link. 16-bit bus width for all banks.
01	Boot from ROM. 8-bit bus width for all banks. Link operational.
10	Boot from ROM. 16-bit bus width for all banks. Link powered down.
11	Boot from ROM. 8-bit bus width for all banks. Link powered down.

Table 9.1 **BootSource0-1** encoding

9.2 Strobe allocation

Pin	Bank allocation	Correspondence	Active access type
notMemCE0-3	1 per bank	0 ⇒ bank 0 1 ⇒ bank 1 2 ⇒ bank 2 3 ⇒ bank 3	Reads and writes
notMemOE0-3	1 per bank	0 ⇒ bank 0 1 ⇒ bank 1 2 ⇒ bank 2 3 ⇒ bank 3	Reads only
notMemWB0	Shared amongst all banks.	MemData0-7	Writes only. Indicates valid write data on MemData0-7 .
notMemWB1	Shared amongst all banks.	16-bit bus: MemData8-15	Writes only. Indicates valid write data on MemData8-15 .
		8-bit bus: not applicable	Reads and writes. Behaves as address bit 0 with same timing as MemAddr1-19 .

Table 9.2 Strobe allocation

9.3 External accesses

The EMI differentiates accesses and transactions. An access is the lowest denominator of a transaction. Since the ST20 word size is 32 bits, several accesses are required to complete a transaction in most cases. The following are cases where several accesses may not be required:

- CPU executes a *sb* (store byte), *lb* (load byte) or *ss* (store sixteen), *ls* (load sixteen) instruction.
- CPU is executing a *move2dnonzero* (2D block copy non-zero bytes) or *move2dzero* (2D block copy zero bytes) instruction and the data dictates that certain bytes are not to be written.
- The first or last DMA operation to or from a link is to a non word aligned byte address.

Figure 9.2 shows the generic EMI activity during a read access and the configurable parameters. The rising edge of **notMemOE** always occurs at the end of the read access just after the data is latched on chip. **notMemWB0** is always inactive during a read access. **notMemWB1** activity during a read access depends on the bus width for the bank. The strobe is inactive if the bus width is configured to be 16-bit. If the bus width is configured to be 8-bit, **notMemWB1** behaves as address bit 0 with the same timing as **MemAddr1-19**.

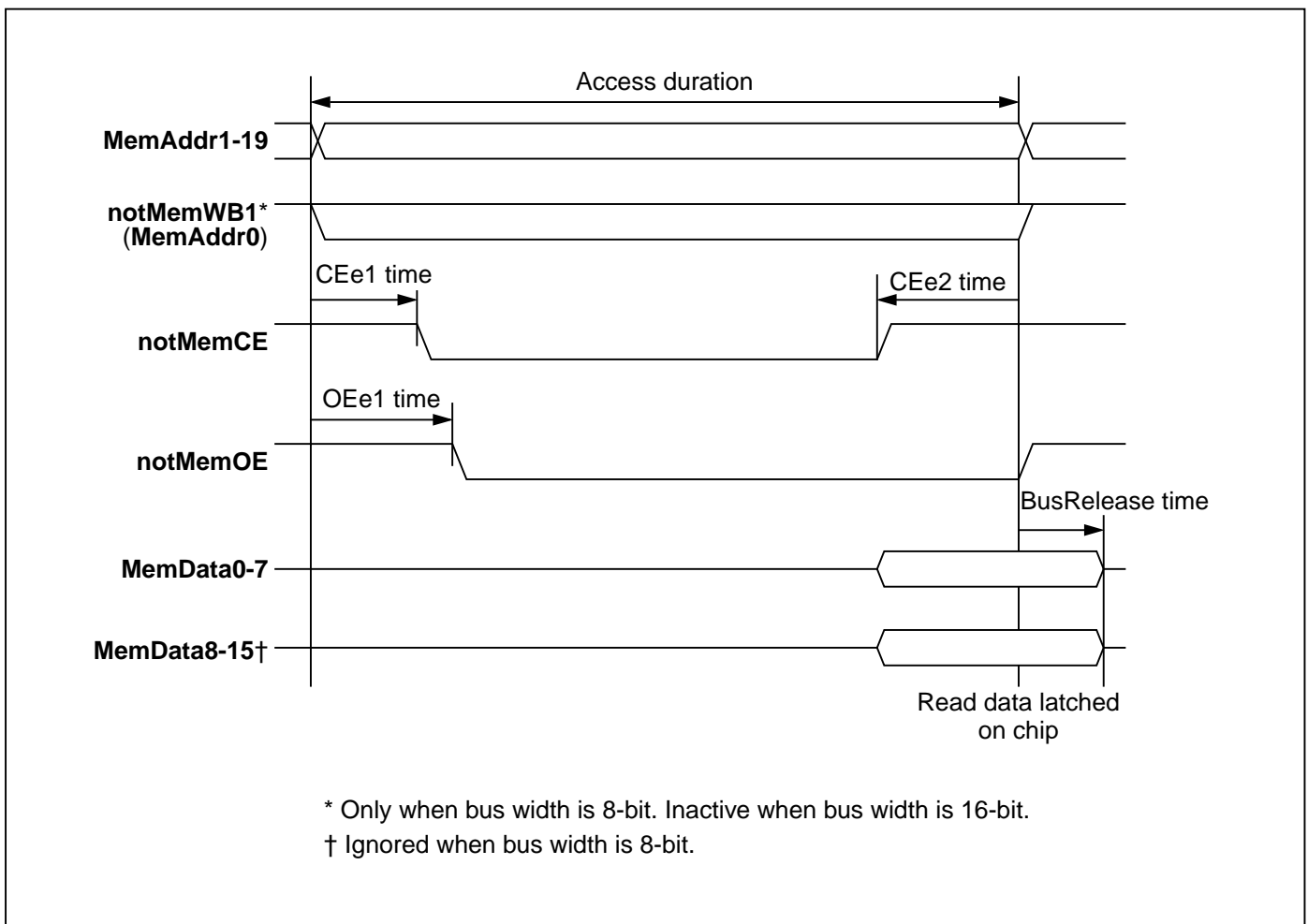


Figure 9.2 Configuration parameters for a read access

Figure 9.3 shows the generic EMI activity during a write access. **notMemOE** is inactive during a write access, and the function of **notMemWB1** is dictated by the bus width of the bank in the same way as for a read access. **MemData8-15** is held in high impedance during a write access if the bus width is 8-bit, otherwise it follows the timing configured for **MemData0-7**.

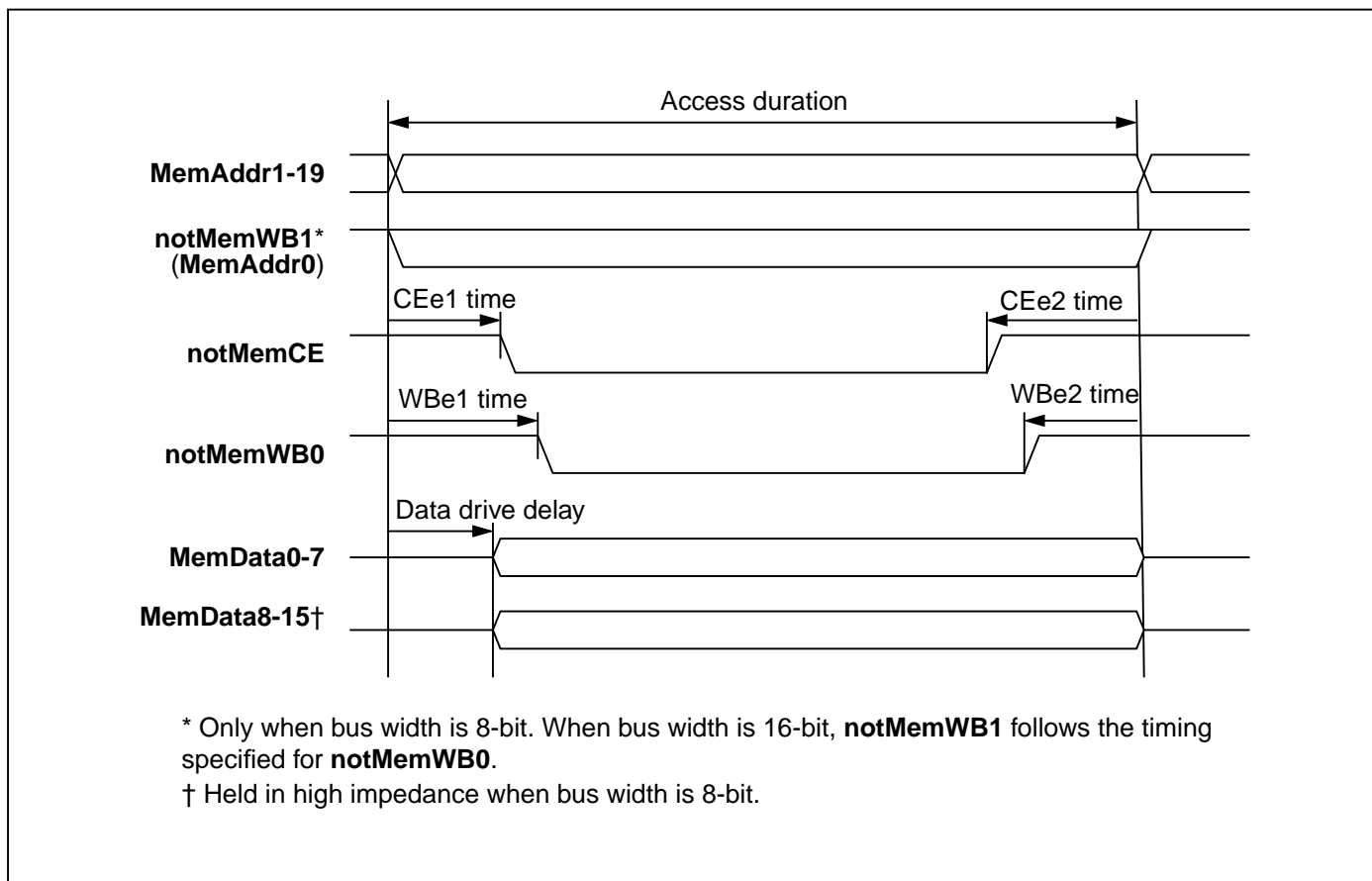


Figure 9.3 Configuration parameters for a write access

The following caveats relate to strobe edge programming:

- If any of the strobe edges are programmed to occur outside the period defined by **Access-Duration**, the activity for that strobe is undefined.
- If a strobe's rising and falling edges are programmed to occur on the same system clock edge, they will nullify each other and the strobe will stay in the same state. This rule also applies for consecutive accesses.

Transactions normally consist of several accesses which run consecutively without any 'dead cycles'. The number of accesses in a transaction is dependent on the bus width and the nature of the memory bus request. Table 9.3 lists the transaction composition and the behavior of **MemAddr1** and **notMemWB0-1** for each access.

Bus width	Valid bytes <3:0>	Number of accesses required	MemAddr1				notMemWB1				notMemWB0			
			1	2	3	4	1	2	3	4	1	2	3	4
8	0001	1	L	-	-	-	L	-	-	-	A	-	-	-
8	0010	1	L	-	-	-	H	-	-	-	A	-	-	-
8	0011	2	L	L	-	-	L	H	-	-	A	A	-	-
8	0100	1	H	-	-	-	L	-	-	-	A	-	-	-
8	0101	2	L	H	-	-	L	L	-	-	A	A	-	-
8	0110	2	L	H	-	-	H	L	-	-	A	A	-	-
8	0111	3	L	L	H	-	L	H	L	-	A	A	A	-
8	1000	1	H	-	-	-	H	-	-	-	A	-	-	-
8	1001	2	L	H	-	-	L	H	-	-	A	A	-	-
8	1010	2	L	H	-	-	H	H	-	-	A	A	-	-
8	1011	3	L	L	H	-	L	H	H	-	A	A	A	-
8	1100	2	H	H	-	-	L	H	-	-	A	A	-	-
8	1101	3	L	H	H	-	L	L	H	-	A	A	A	-
8	1110	3	L	H	H	-	H	L	H	-	A	A	A	-
8	1111	4	L	L	H	H	L	H	L	H	A	A	A	A
16	0001	1	L	-	-	-	I	-	-	-	A	-	-	-
16	0010	1	L	-	-	-	A	-	-	-	I	-	-	-
16	0011	1	L	-	-	-	A	-	-	-	A	-	-	-
16	0100	1	H	-	-	-	I	-	-	-	A	-	-	-
16	0101	2	L	H	-	-	I	I	-	-	A	A	-	-
16	0110	2	L	H	-	-	A	I	-	-	I	A	-	-
16	0111	2	L	H	-	-	A	I	-	-	A	A	-	-
16	1000	1	H	-	-	-	A	-	-	-	I	-	-	-
16	1001	2	L	H	-	-	I	A	-	-	A	I	-	-
16	1010	2	L	H	-	-	A	A	-	-	I	I	-	-
16	1011	2	L	H	-	-	A	A	-	-	A	I	-	-
16	1100	1	H	-	-	-	A	-	-	-	A	-	-	-
16	1101	2	L	H	-	-	I	A	-	-	A	A	-	-
16	1110	2	L	H	-	-	A	A	-	-	I	A	-	-
16	1111	2	L	H	-	-	A	A	-	-	A	A	-	-

Table 9.3 Transaction composition for valid bytes on internal memory bus

Key: L = low for whole access
H = high for whole access
A = active on write accesses
I = inactive for whole access

The EMI buffers subsequent transactions which may occur, without intervening dead cycles except

in the following two cases:

- The previous access was a read and the pending one is a write. The write access will not start until the programmed number of **BusReleaseTime** cycles have elapsed.
- The previous access was to a different bank to the pending access (bank switch). One cycle is always inserted between accesses to different banks. Note that, if the first condition is also true, further cycles may be inserted to account for **BusReleaseTime**.

The first case may be optimized slightly by making use of the **DataDriveDelay** configuration register parameter, see Table 9.4. When this is used, the programmed **BusReleaseTime** may be smaller, reducing the number of dead cycles, see Figure 9.4.

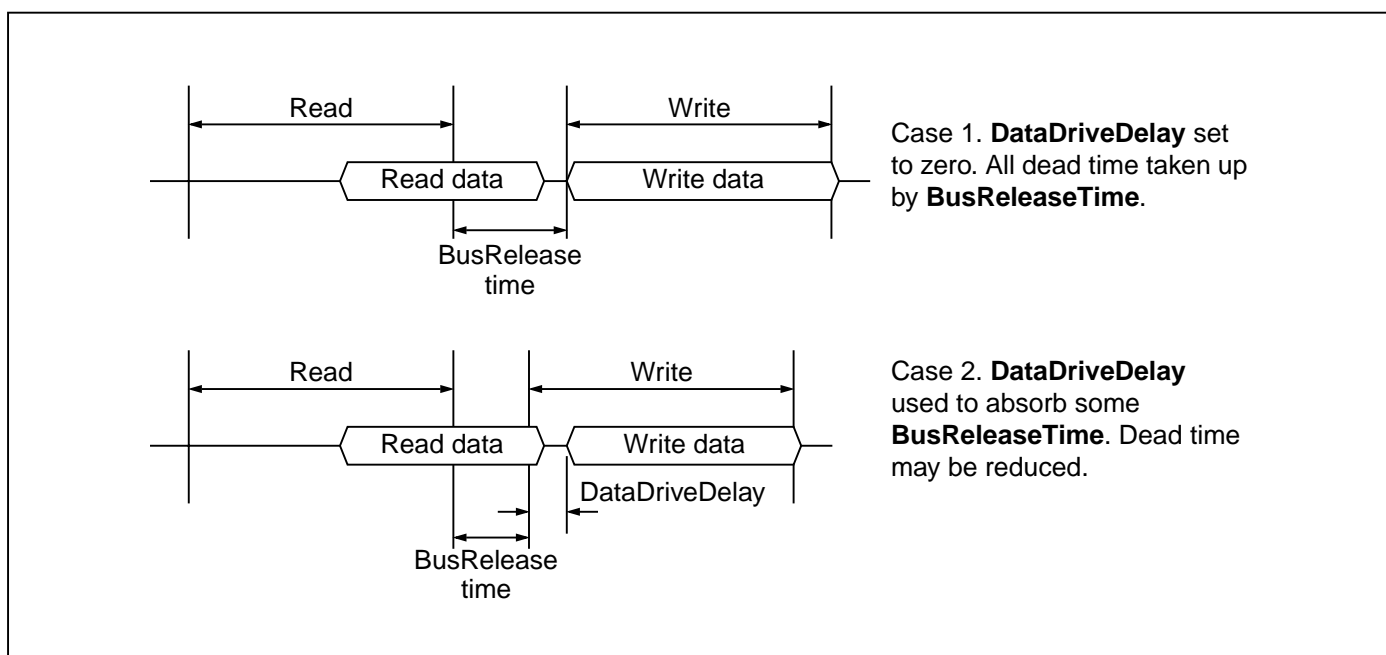


Figure 9.4 Use of DataDriveDelay parameter

Note, if **DataDriveDelay** is used, it must be used for all banks. If this rule is not adhered to, bus contention may occur on bank switches. For example, consider case 2 in Figure 9.4 above. If the **BusReleaseTime** coincides with the dead cycle inserted due to a bank switch, contention will occur unless **DataDriveDelay** is programmed in the same way as if no bank switch had occurred.

9.4 MemWait

When enabled (see Table 9.4), **MemWait** is sampled at the midpoint of accesses which are configured to be four cycles or greater. If the duration of the external access is not an even number of cycles (i.e. the **AccessDuration** bit field in the **EMIconfigData** register, see Table 9.4, is an odd number), **MemWait** is sampled on the internal rising clock edge just after the midpoint of the access.

Once a high has been sampled, the access is stalled. **MemWait** suspends the state of the EMI in the cycle after it is sampled high. The state remains suspended until **MemWait** is sampled low. Any strobe edges scheduled to occur in the cycle after **MemWait** is sampled will not occur. Strobe edges scheduled to occur on the same edge as **MemWait** is sampled are not affected. Figure 9.5 and Figure 9.6 show the extension of the external memory cycle and the delaying of strobe

transitions. Note, the clock shown in the figures is the internal on-chip clock and is provided as a guide to show the minimum setup time of **MemWait** relative to the strobes.

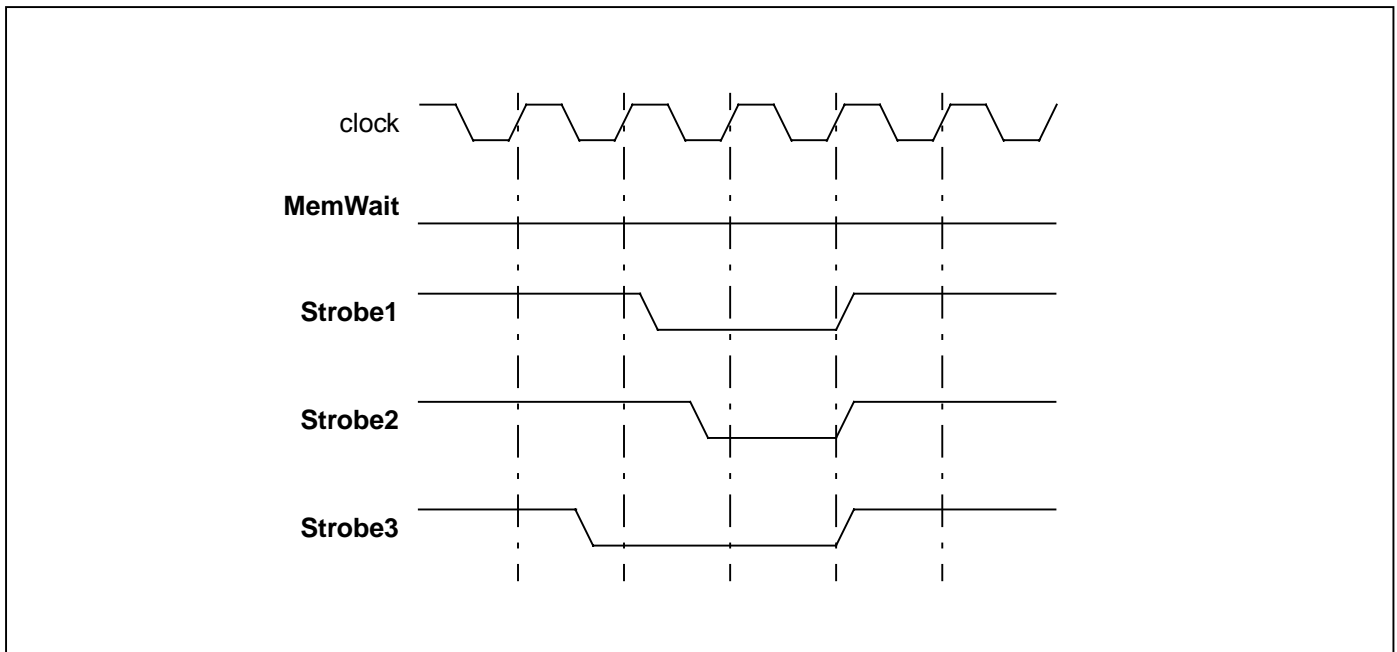


Figure 9.5 Strobe activity without **MemWait**

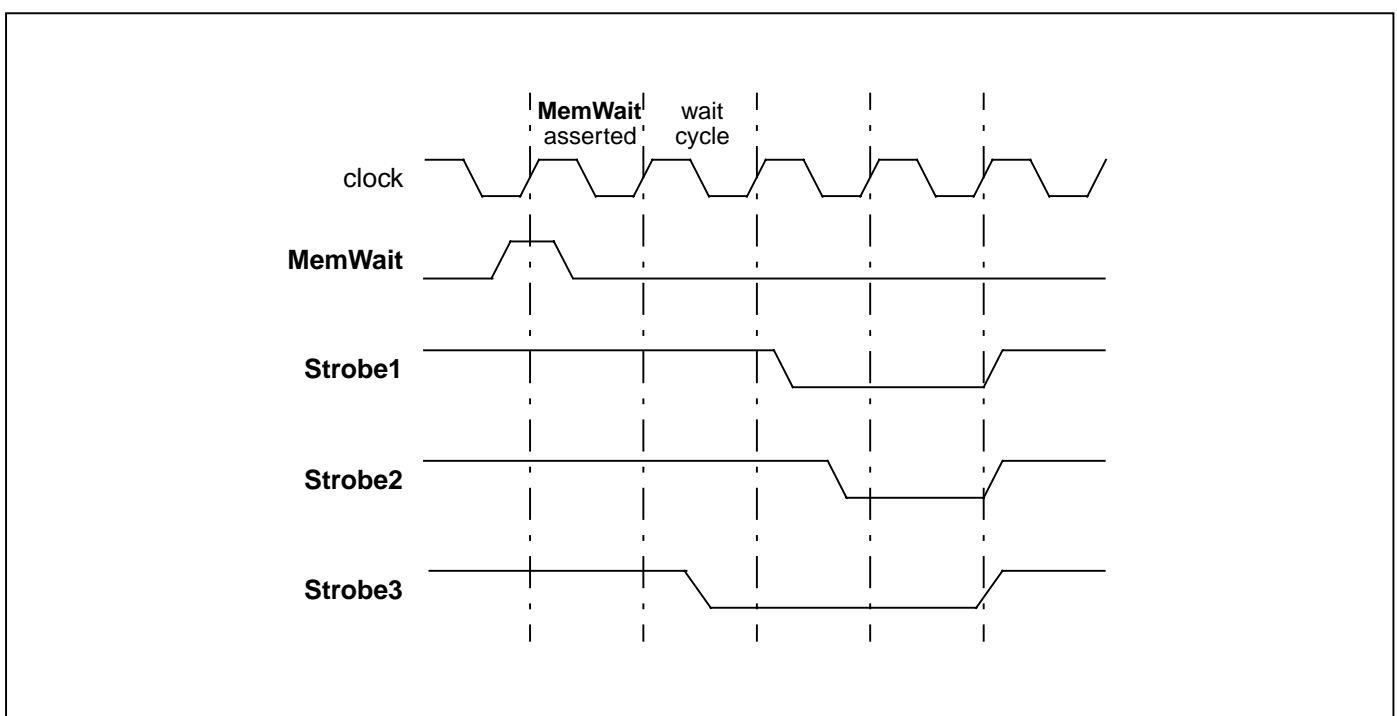


Figure 9.6 Strobe activity with **MemWait**

9.5 EMI configuration registers

Configuration parameters are stored in registers which are mapped into the device address space. They may be accessed using *devsw* (device store word) and *devlw* (device load word) instructions.

The base addresses for the EMI registers are given in the Memory Map chapter.

EMIConfigData0-3 registers

The **EMIConfigData0-3** registers contain configuration data for each of the EMI banks. The format of each of the **EMIConfigData0-3** registers is identical and is shown in Table 9.4.

EMIConfigData0-3		EMI base address + #00, #04, #08, #0C	Read/Write						
Bit	Bit field	Function	Units						
0	MemWaitEnable	Enables the MemWait pin.	-						
3:1	DataDriveDelay	Drive delay of data bus for writes.	Phases						
4	BusWidth	Bus width of the bank (8 or 16 bits). <table border="0" style="margin-left: 20px;"> <tr> <td style="padding-right: 20px;">BusWidth</td> <td>Bank width</td> </tr> <tr> <td>0</td> <td>16 bits</td> </tr> <tr> <td>1</td> <td>8 bits</td> </tr> </table>	BusWidth	Bank width	0	16 bits	1	8 bits	-
BusWidth	Bank width								
0	16 bits								
1	8 bits								
8:5	AccessDuration	Duration of the external access.	Cycles						
10:9	BusReleaseTime	Duration bus release time.	Cycles						
14:11	CEe1Time	Delay from access start to notMemCE falling edge.	Phases						
18:15	CEe2Time	Delay from notMemCE rising edge to end of access.	Phases						
22:19	OEe1Time	Delay from access start to notMemOE falling edge.	Phases						
26:23	WBe1Time	Delay from access start to notMemWB falling edge.	Phases						
30:27	WBe2Time	Delay from notMemWB rising edge to end of access.	Phases						
31		Reserved	-						

Table 9.4 **EMIConfigData0-3** register format - 1 per bank

EMIConfigLock register

The **EMIConfigLock** register is provided to write protect the **EMIConfigData0-3** registers (further writes to these registers are ignored). This bit is set by performing a *devsw* instruction to the given address; the write data is ignored.

This register, once set, can only be cleared by resetting the ST20-GP1.

EMIConfigLock		EMI base address + #10	Write only
Bit	Bit field	Function	
0	ConfigLock	When set, the EMIConfigData0-3 registers are read only.	

Table 9.5 **EMIConfigLock** register format

EMIConfigStatus register

The **EMIConfigStatus** register is provided to indicate which registers have been written to and the

status of the lock and stall bits. Table 9.6 shows the format of the **EMIConfigStatus** register.

EMIConfigStatus		EMI base address + #20	Read only
Bit	Bit field	Function	
0	WrittenBank0	Bank 0 configuration has been written to using a <i>devsw</i> instruction.	
1	WrittenBank1	Bank 1 configuration has been written to using a <i>devsw</i> instruction.	
2	WrittenBank2	Bank 2 configuration has been written to using a <i>devsw</i> instruction.	
3	WrittenBank3	Bank 3 configuration has been written to using a <i>devsw</i> instruction.	
4	WriteLock	EMIConfigData0-3 registers are write protected.	
5	MemStall	EMIConfigStall has been set.	
31:6		Reserved	

Table 9.6 **EMIConfigStatus** register format

EMIConfigStall register

The **EMIConfigStall** register can be used to stall the EMI. When set it prevents the EMI from accepting further requests from the CPU or communications subsystems. Its main use is intended to be in systems which anticipate turning the power off; the EMI must be inactive during such an event, otherwise battery backed memory may be corrupted.

This register, once set, can only be cleared by resetting the ST20-GP1.

EMIConfigStall		EMI base address + #30	Write only
Bit	Bit field	Function	
0	EMIS Stall	When set, this bit prevents the arbiter from granting any more accesses to the memory subsystem.	

Table 9.7 **EMIConfigStall** register format

9.6 Reset and bootstrap behavior

Table 9.8 shows the state of the EMI signals during reset. **MemAddr2-19** are driven with a copy of the value on the internal memory bus2-19.

Pins	Value
MemAddr2-19	Valid
MemAddr1	High
notMemCE0-3	All high
notMemOE0-1	All high
notMemWB0-1	All high
MemData0-15	High impedence

Table 9.8 EMI signal values during reset

Table 9.9 shows the configuration values for all banks during and after reset. If the **BootSource0-1** pins indicate that the ST20-GP1 will boot from ROM, the **BusWidth** is set to the correct value as the ST20-GP1 comes out of reset.

Parameter	Bits	Value during and after reset	Units
BusWidth	1	Depends on BootSource0-1 pins (see Table 9.1, page 52).	-
MemWaitEnable	1	1 (Enabled)	-
BankReadOnly	1	0 (Read/Write)	-
AccessDuration	4	1010 (10 cycles)	Cycles
CEe1Time	4	0000	Phases
CEe2Time	4	0000	Phases
Oe1Time	4	0000	Phases
WBe1Time	4	1001 (9 phases; 4.5 cycles)	Phases
WBe2Time	4	0010 (2 phases; 1 cycle)	Phases
BusReleaseTime	2	10 (2 cycles)	Cycles
DataDriveDelay	3	101 (5 phases; 2.5 cycles)	Phases

Table 9.9 Configuration register values during reset

The behavior of the ST20-GP1 after reset depends upon the value on the **BootSource0-1** pins. In all cases, the EMI is loaded with a slow default configuration which is suitable for performing accesses to ROM and SRAM (see Figure 9.7).

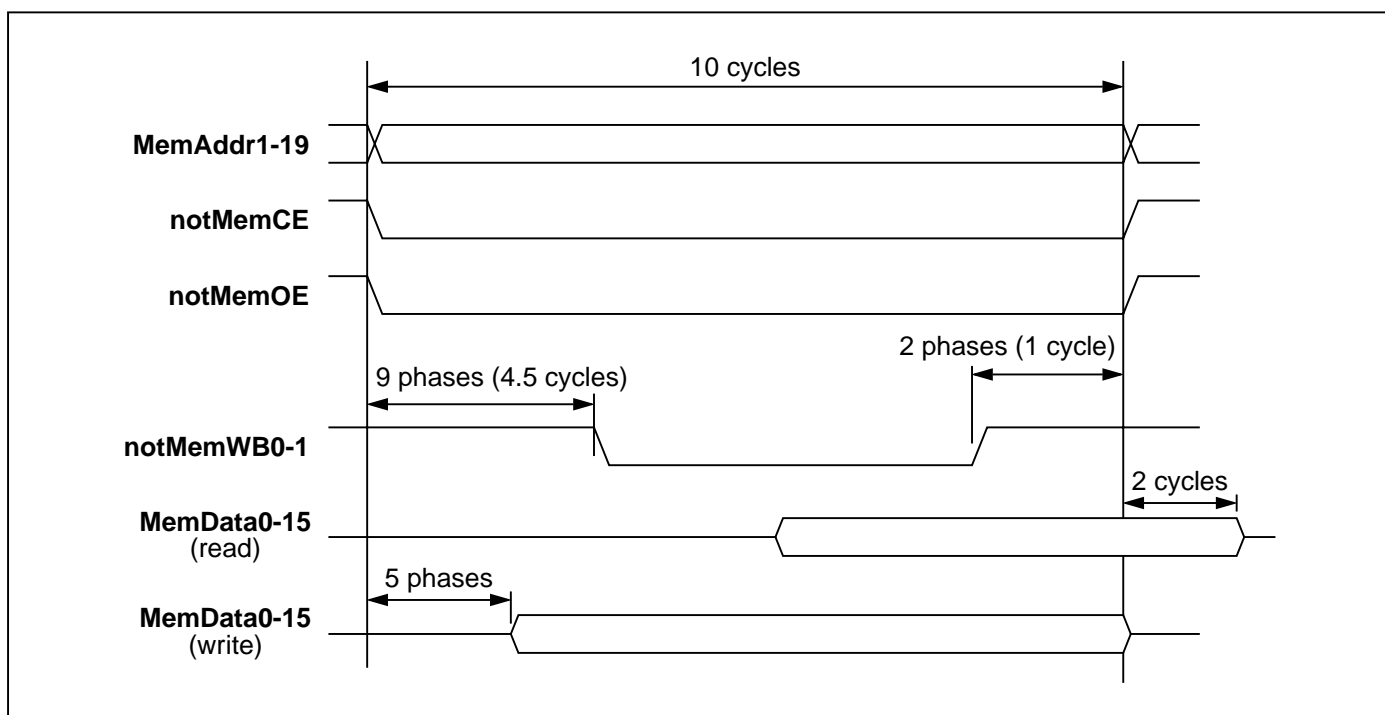


Figure 9.7 Default configuration

When booting from ROM, the first EMI access will be an instruction fetch from bank 3. When booting from a link, the bootstrap is loaded into the ST20-GP1 internal SRAM located logically at the bottom of bank 0.

The default bus width for all banks is set at reset by reading the value on the **BootSource0-1** pins (see Table 9.1). If this bus width is inappropriate for a particular bank, then configuration software must change it before it is accessed, otherwise some memory locations will contain indeterminate contents. Note, particular care must be paid to instruction fetching behavior of the CPU. It is important to match the program memory with the correct bus width using **BootSource0-1**.

10 Clocks and low power controller

10.1 Clocks

An on-chip phase locked loop (PLL) generates all the internal high frequency clocks. The PLL is used to generate the internal clock frequencies needed for the CPU and the Link. Alternatively a direct clock input can provide the system clocks. The single clock input (**ClockIn**) must be 16.368 MHz for PLL operation for GPS.

The internal clock may be turned off (including the PLL) enabling power down mode.

The ST20-GP1 can be set to operate in **TimesOneMode**, which is when the PLL is bypassed. During **TimesOneMode** the input clock must be in the range 0 to 30 MHz and should be nominally 50/50 mark space ratio.

10.1.1 Speed select

The speed of the internal processor clock is variable in discrete steps. The clock rate at which the ST20-GP1 runs is determined by the logic levels applied on the two speed select lines **SpeedSelect0-1** as detailed in Table 10.1. The frequency of **ClockIn** (fclk) for the speeds given in the table is 16.368 MHz.

The **SysRatio** register, see Table 10.9, gives the speed at which the system PLL is running. It contains the relevant PLL multiply ratio when using the PLL, or contains the value '1' when in **TimesOneMode** for the PLL.

SpeedSelect1	SpeedSelect0	Processor clock speed (MHz)	Processor cycle time (ns) approximate	Phase lock loop factor (PLLx)	Link speed (Mbits/s)
0	0	TimesOneMode			0.4 x fclk
0	1	16.368	61.0	1	19.641
1	0	32.736	30.5	2	19.641
1	1	RESERVED			

Table 10.1 Processor speed selection

10.2 Low power control

The ST20-GP1 is designed for 0.5 micron, 3.3V CMOS technology and runs at speeds of up to 32.736 MHz. 3.3V operation provides reduced power consumption internally and allows the use of low power peripherals. In addition, to further enhance the potential for battery operation, a low power power-down mode is available.

The different power levels of the ST20-GP1 are listed below.

- Operating power — power consumed during functional operation.
- Stand-by power — power consumed during little or no activity. The CPU is idle but ready to immediately respond to an interrupt/reschedule.
- Power-down — internal clocks are stopped and power consumption is significantly reduced. Functional operation is stalled. Normal functional operation can be resumed from previous

state as soon as the clocks are stable. All internal logic is static so no information is lost during power down.

- Power to most of the chip removed — only the real time clock supply (**RTCVDD**) power on.

10.2.1 Power-down mode

The ST20-GP1 enters power-down when:

- the low power alarm is programmed and started, via configuration registers, providing there are no interrupts pending.

The ST20-GP1 exits power-down when:

- an unmasked interrupt becomes pending.
- the low power alarm counter reaches zero.

In power-down mode the processor and all peripherals are stopped, including the external memory controller and optionally the PLL. Effectively the internal clock is stopped and functional operation is stalled. On restart the clock is restarted and the chip resumes normal functional operation.

10.2.2 Low power mode

Low power mode can be achieved in one of two ways, as listed below.

- Availability of direct clock input — this allows external control of clocking directly and thus direct control of power consumption.
- Internal global system clock may be stopped — in this case the external clock remains running. This mechanism allows the PLL to be kept running (if desired) so that wake up from low power mode will be fast.

Wake-up from low power mode can be from: specific external pin activity (**Interrupt** pin); or the low power timer alarm.

The low power timer and alarm are provided to control the duration for which the global clock generation is stopped during low power mode. The timer and alarm registers can be set by the device store instructions and read by the device load instructions.

Low power timer

The timer keeps track of real time, even when the internal clocks are stopped. The timer is a 64-bit counter which runs off an external clock (**LPClockIn**). This clock rate must not be more than one eighth of the system clock rate.

The real time clock is powered from a separate Vdd (**RTCVDD**) allowing it to be maintained at minimal power consumption.

Low power alarm

There is also a 40-bit counter which can be used as a low power alarm or as a watchdog timer, this is determined by the setting of the **WdEnable** register, see Table 10.10.

Alarm

A write to the **LPAlarmStart** register starts the low power alarm counter and the ST20-GP1 enters low power mode. When the counter has counted down to zero, assuming no other valid wake-up sources occur first, the ST20-GP1 exits low power mode and the global clocks are turned back on. Whilst the clocks are turned off the **LowPowerStatus** pin is high, otherwise it is low.

Watchdog timer

The low power alarm counter is set to operate as a watchdog timer by setting the **WdEnable** register to 1. This disables entering low power mode when starting the timer. The low power alarm is programmed and started as normal.

The **WdFlag** register can be read to determine if the device was reset by the **notRST** input or by a watchdog time-out.

When the low power alarm counts down to the value #1, the **notWdReset** pin is asserted low for 1 low power clock cycle. In addition an internal reset of the ST20-GP1 is performed.

10.3 Low power configuration registers

The low power controller is allocated a 4k block of memory in the internal peripheral address space. Information on low power mode is stored in registers as detailed in the following section. The registers can be examined and set by the *devlw* (device load word) and *devsw* (device store word) instructions, see Table 6.19 on page 43. Note, they can not be accessed using memory instructions.

LPTimerLS and LPTimerMS

The **LPTimerLS** and **LPTimerMS** registers are the least significant word and most significant word of the **LPTimer** register. This enables the least significant or most significant word to be written independently without affecting the other word.

LPTimerLS		LPC base address + #400	Read/Write
Bit	Bit field	Function	
31:0	LPTimerLS	Least significant word of the low power timer.	

Table 10.2 LPTimerLS register format

LPTimerMS		LPC base address + #404	Read/Write
Bit	Bit field	Function	
31:0	LPTimerMS	Most significant word of the low power timer.	

Table 10.3 LPTimerMS register format

When the **LPTimer** register is written, the low power timer is stopped and the new value is available to be written to the low power timer.

LPTimerStart

A write to the **LPTimerStart** register starts the low power timer counter. The counter is stopped and the **LPTimerStart** register reset if either counter word (**LPTimerLS** and **LPTimerMS**) is written.

Note, setting the **LPTimerStart** register to zero does not stop the timer.

LPTimerStart		LPC base address + #408	Write
Bit	Bit field	Function	
0	LPTimerStart	A write to this bit starts the low power timer counter.	

Table 10.4 LPTimerStart register format

LPAlarmLS and LPAlarmMS

The **LPAlarmLS** and **LPAlarmMS** registers are the least significant word and most significant word of the **LPAlarm** register. This is used to program the low power alarm.

LPAlarmLS		LPC base address + #410	Read/Write
Bit	Bit field	Function	
31:0	LPAlarmLS	Least significant word of the low power alarm.	

Table 10.5 **LPAlarmLS** register format

LPAlarmMS		LPC base address + #414	Read/Write
Bit	Bit field	Function	
7:0	LPAlarmMS	Most significant word of the low power alarm.	

Table 10.6 **LPAlarmMS** register format

LPAlarmStart

A write to the **LPAlarmStart** register starts the low power alarm counter. The counter is stopped and the **LPStart** register reset if either counter word (**LPTimerLS** and **LPTimerMS**) is written.

LPAlarmStart		LPC base address + #418	Write
Bit	Bit field	Function	
0	LPAlarmStart	A write to this bit starts the low power alarm counter.	

Table 10.7 **LPAlarmStart** register format

LPSysPll

The **LPSysPll** register controls the System Clock PLL operation when low power mode is entered. This allows a compromise between wake-up time and power consumption during stand-by.

LPSysPll		LPC base address + #420	Read/Write
Bit	Bit field	Function	
1:0	LPSysPll	Determines the system clock PLL when low power mode is entered, as follows: LPSysPll1:0 System clock 00 PLL off 01 PLL reference on and power on 10 PLL reference on and power on 11 PLL on	

Table 10.8 **LPSysPll** register format

SysRatio

The **SysRatio** register is a read only register and gives the speed at which the system PLL is running. It contains the relevant PLL multiply ratio when using the PLL, or contains the value '1' when in **TimesOneMode** for the PLL.

SysRatio		LPC base address + #500	Read
Bit	Bit field	Function	
5:0	SysRatio	PLL speed, as follows: SysRatio PLL 1 x1 TimesOneMode 2 x1 16.368 MHz 4 x2 32.736 MHz 6 x3 RESERVED	

Table 10.9 **SysRatio** register format

WdEnable

Setting the **WdEnable** register enables the low power alarm counter to be used as a watchdog timer.

WdEnable		LPC base address + #510	Read/Write
Bit	Bit field	Function	
0	WdEnable	Determines whether the low power alarm is set to operate as an alarm or as a watchdog timer. 0 alarm 1 watchdog	

Table 10.10 **WdEnable** register format

WdFlag

This register can be used to determine if the device was reset by the **notRST** input or by a watchdog time-out.

Note that this bit is not reset by the **CPUReset** input.

WdFlag		LPC base address + #514	Read
Bit	Bit field	Function	
0	WdFlag	Watchdog timer flag. 0 set to 0 by an external notRST 1 set to 1 when the watchdog counter is #1 and the WdEnable register is 1	

Table 10.11 **WdFlag** register format

10.4 Clocking sources

The low power timer and alarm must be clocked at all times by one of the following clocking sources:

- External clock input (**LPClockIn**) — this clock must not be more than one eighth of the system clock rate. In this case the **LPClockOsc** pin should not be connected on the board.
- Watch crystal, as in Figure 10.1.

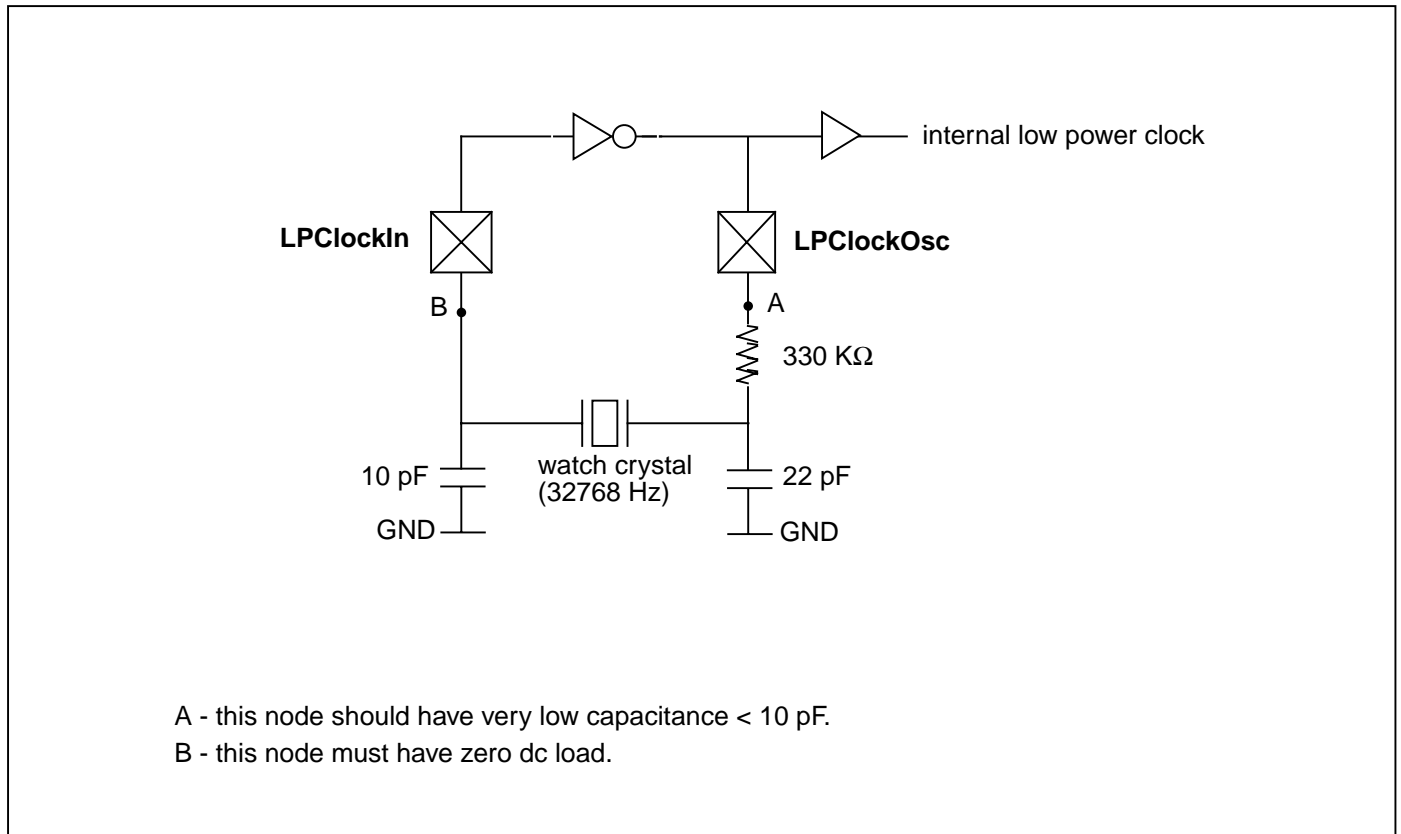


Figure 10.1 Watch crystal clocking source

11 System services

The system services module includes the control system, the PLL and power control. System services include all the necessary logic to initialize and sustain operation of the device and also includes error handling and analysis facilities.

11.1 Reset, initialization and debug

The ST20-GP1 is controlled by a **notRST** pin which is a global power-on-reset. The CPU itself can also be controlled by **CPUReset** and **CPUAnalyse** signals separately from the on-chip peripherals.

11.1.1 Reset

notRST initializes the device and causes it to enter its boot sequence which can either be in off-chip ROM or can be received down a link (see Section 11.2 on bootstrap). **notRST** must be asserted at power-on.

When **notRST** is asserted low, all modules are forced into their power-on reset condition. The clocks are stopped. The rising edge of **notRST** is internally synchronized and delayed until the clocks are stable before starting the initialization sequence.

CPUReset is provided as a functional reset which is quicker to reboot as the PLL is not reset. In other respects the effect is the same as **notRST**. **CPUReset** can be used in conjunction with **CPUAnalyse**.

11.1.2 CPUAnalyse

If **CPUAnalyse** is taken high when the ST20-GP1 is running, the ST20-GP1 will halt at the next descheduling point. **CPUReset** may then be asserted. When **CPUReset** comes low again the ST20-GP1 will be in its reset state, and information on the state of the machine when it was halted by the assertion of **CPUAnalyse**, is maintained permitting analysis of the halted machine.

An input link will continue with outstanding transfers. An output link will not make another access to memory for data but will transmit only those bytes already in the link buffer. Providing there is no delay in link acknowledgment, the link will be inactive within a few microseconds of the ST20-GP1 halting.

If **CPUAnalyse** is taken low without **CPUReset** going high the processor state and operation are undefined.

11.1.3 Errors

Software errors, such as arithmetic overflow or array bounds violation, can cause an error flag to be set. This flag is directly connected to the **ErrorOut** pin. The ST20-GP1 can be set to ignore the error flag in order to optimize the performance of a proven program. If error checks are removed any unexpected error then occurring will have an arbitrary undefined effect. The ST20-GP1 can alternatively be set to halt-on-error to prevent further corruption and allow postmortem debugging. The ST20-GP1 also supports user defined trap handlers, see Section 4.6 on page 23 for details.

If a high priority process pre-empts a low priority one, status of the **Error** and **HaltOnError** flags is saved for the duration of the high priority process and restored at the conclusion of it. Status of both flags is transmitted to the high priority process. Either flag can be altered in the process without

upsetting the error status of any complex operation being carried out by the pre-empted low priority process.

In the event of a processor halting because of **HaltOnError**, the link will finish outstanding transfers before shutting down. If **CPUAnalyse** is asserted then all inputs continue but outputs will not make another access to memory for data. Memory refresh will continue to take place.

11.2 Bootstrap

The ST20-GP1 can be bootstrapped from external ROM, internal ROM or from a link. This is determined by the setting of the **BootSource0-1** pins, see Table 9.1 on page 52. If both **BootSource0-1** pins are held low it will boot from a link. If either or both pins are held high, it will boot from ROM. This is sampled once only by the ST20-GP1, before the first instruction is executed after reset.

11.2.1 Booting from ROM

When booting from ROM, the ST20-GP1 starts to execute code from the top two bytes in external memory, at address #7FFFFFFE which should contain a backward jump to a program in ROM.

11.2.2 Booting from link

When booting from a link, the ST20-GP1 will wait for the first bootstrap message to arrive on the link. The first byte received down the link is the control byte. If the control byte is greater than 1 (i.e. 2 to 255), it is taken as the length in bytes of the boot code to be loaded down the link. The bytes following the control byte are then placed in internal memory starting at location **MemStart**. Following reception of the last byte the ST20-GP1 will start executing code at **MemStart**. The memory space immediately above the loaded code is used as work space. A byte arriving on the bootstrapping link after the last bootstrap byte, is retained and no acknowledge is sent until a process inputs from the link.

11.2.3 Peek and poke

Any location in internal or external memory can be interrogated and altered when the ST20-GP1 is waiting for a bootstrap from link.

When booting from link, if the first byte (the control byte) received down the link is greater than 1, it is taken as the length in bytes of the boot code to be loaded down the link.

If the control byte is 0 then eight more bytes are expected on the link. The first four byte word is taken as an internal or external memory address at which to *poke* (write) the second four byte word.

If the control byte is 1 the next four bytes are used as the address from which to *peek* (read) a word of data; the word is sent down the output channel of the link.

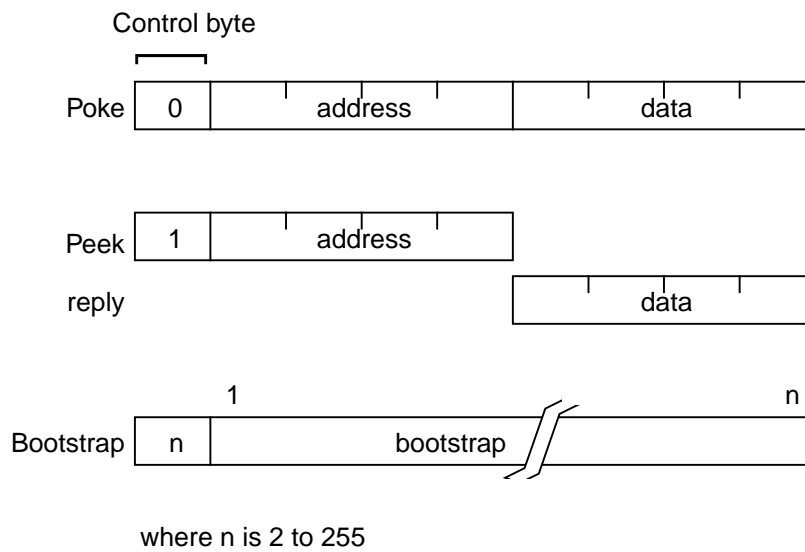


Figure 11.1 Peek, poke and bootstrap

Note, *peeks* and *pokes* in the address range #20000000 to #3FFFFFFF access the internal peripheral device registers. Therefore they can be used to configure the EMI before booting. Note that addresses that overlap the internal peripheral addresses (#20000000 to 3FFFFFFF) can not be accessed via the link.

Following a *peek* or *poke*, the ST20-GP1 returns to its previously held state. Any number of accesses may be made in this way until the control byte is greater than 1, when the ST20-GP1 will commence reading its bootstrap program.

12 Serial link interface (OS-Link)

The OS-Link based serial communications subsystem provides serial data transfer. Its main function is for booting the device during software development.

The OS-Link is a serial communications engine consisting of two signal wires, one in each direction. OS-Links use an asynchronous bit-serial (byte-stream) protocol, each bit received is sampled five times, hence the term *over-sampled links* (OS-Links). The OS-Link provides a pair of channels, one input and one output channel.

The OS-Link is used for the following purposes:

- Bootstrapping — the program which is executed at power up or after reset can reside in ROM in the address space, or can be loaded via the OS-Link directly into memory.
- Diagnostics — diagnostic and debug software can be downloaded over the link connected to a PC or other diagnostic equipment, and the system performance and functionality can be monitored.
- Communicating with OS-Link peripherals or other ST20 devices.

12.1 OS-Link protocol

The quiescent state of a link output is low. Each data byte is transmitted as a high start bit followed by a one bit followed by eight data bits followed by a low stop bit (see Figure 12.1). The least significant bit of data is transmitted first. After transmitting a data byte the sender waits for the acknowledge, which consists of a high start bit followed by a zero bit. The acknowledge signifies both that a process was able to receive the acknowledged data byte and that the receiving link is able to receive another byte. The sending link reschedules the sending process only after the acknowledge for the final byte of the message has been received. The link allows an acknowledge to be sent before the data has been fully received.

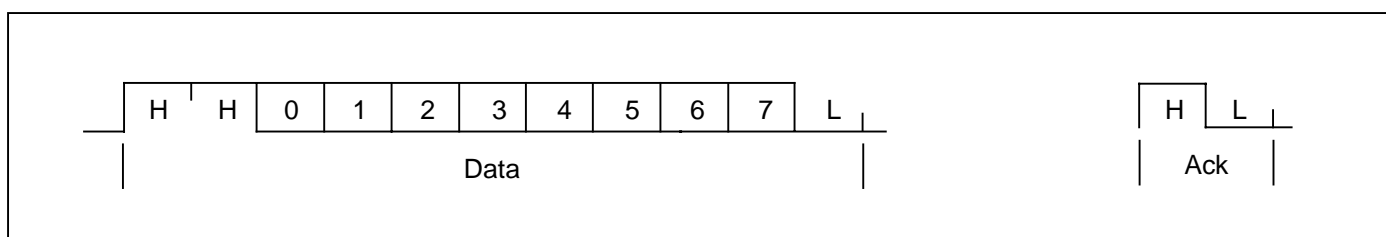


Figure 12.1 OS-Link data and acknowledge formats

12.2 OS-Link speed

The OS-Link data rate is 19.6416 Mbits/s. This rate is the result of basing the clock on the GPS-specific 16.368 MHz input. Standard 20 MHz development systems are **not** within specification, but operate correctly under benign conditions. To operate within spec, the reference clock for 5 MHz (B008, C011, C012) systems should be changed to 4.9104 MHz, for 10 MHz to 9.8208 MHz.

12.3 OS-Link connections

Links are TTL compatible and intended to be used in electrically quiet environments, between devices on a single printed circuit board or between two boards via a backplane. Direct connection may be made between devices separated by a distance of less than 300 mm. For longer distances a matched 100 ohm transmission line should be used with series matching resistors (RM), see Figure 12.3. When this is done the line delay should be less than 0.4 bit time to ensure that the reflection returns before the next data bit is sent. Buffers may be used for very long transmissions, see Figure 12.4. If so, their overall propagation delay should be stable within the skew tolerance of the link, although the absolute value of the delay is immaterial.

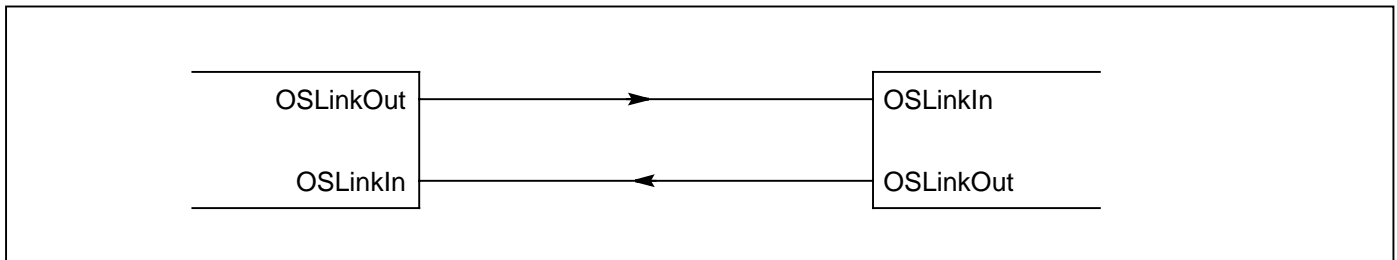


Figure 12.2 OS-Links directly connected

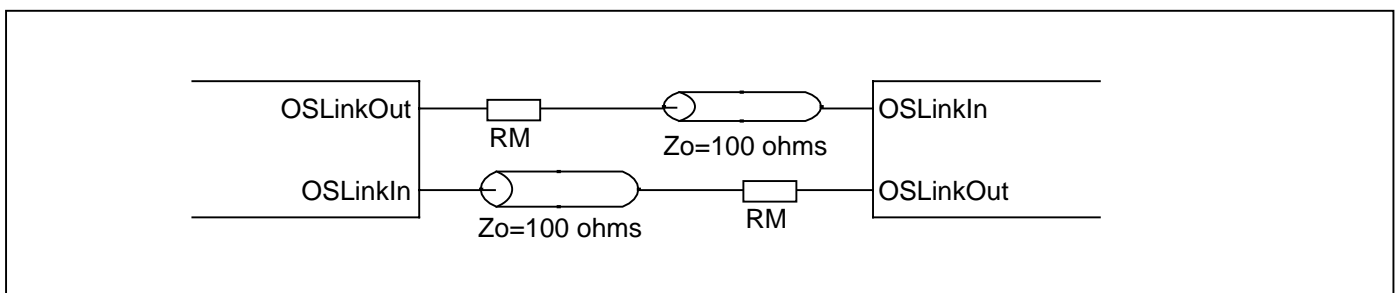


Figure 12.3 OS-Links connected by transmission line

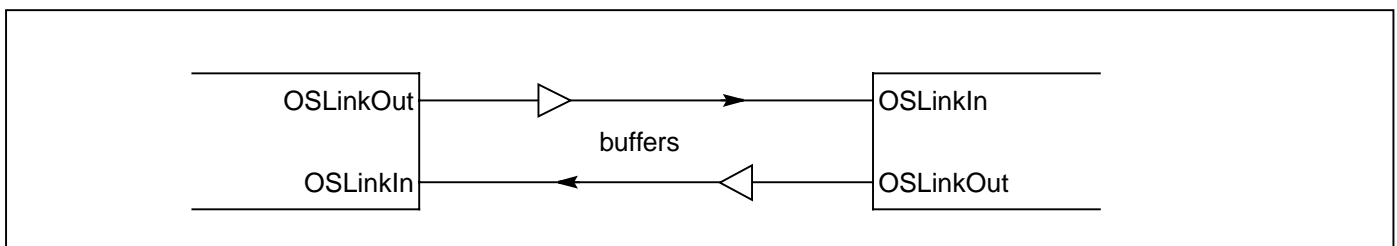


Figure 12.4 OS-Links connected by buffers

13 UART interface (ASC)

The UART interface, also referred to as the Asynchronous Serial Controller (ASC), provides serial communication between the ST20 device and other microcontrollers, microprocessors or external peripherals.

The ASC supports full-duplex asynchronous communication, where both the transmitter and the receiver use the same data frame format and the same baud rate. Data is transmitted on the transmit data output pin (**TXD**) and received on the receive data input pin (**RXD**).

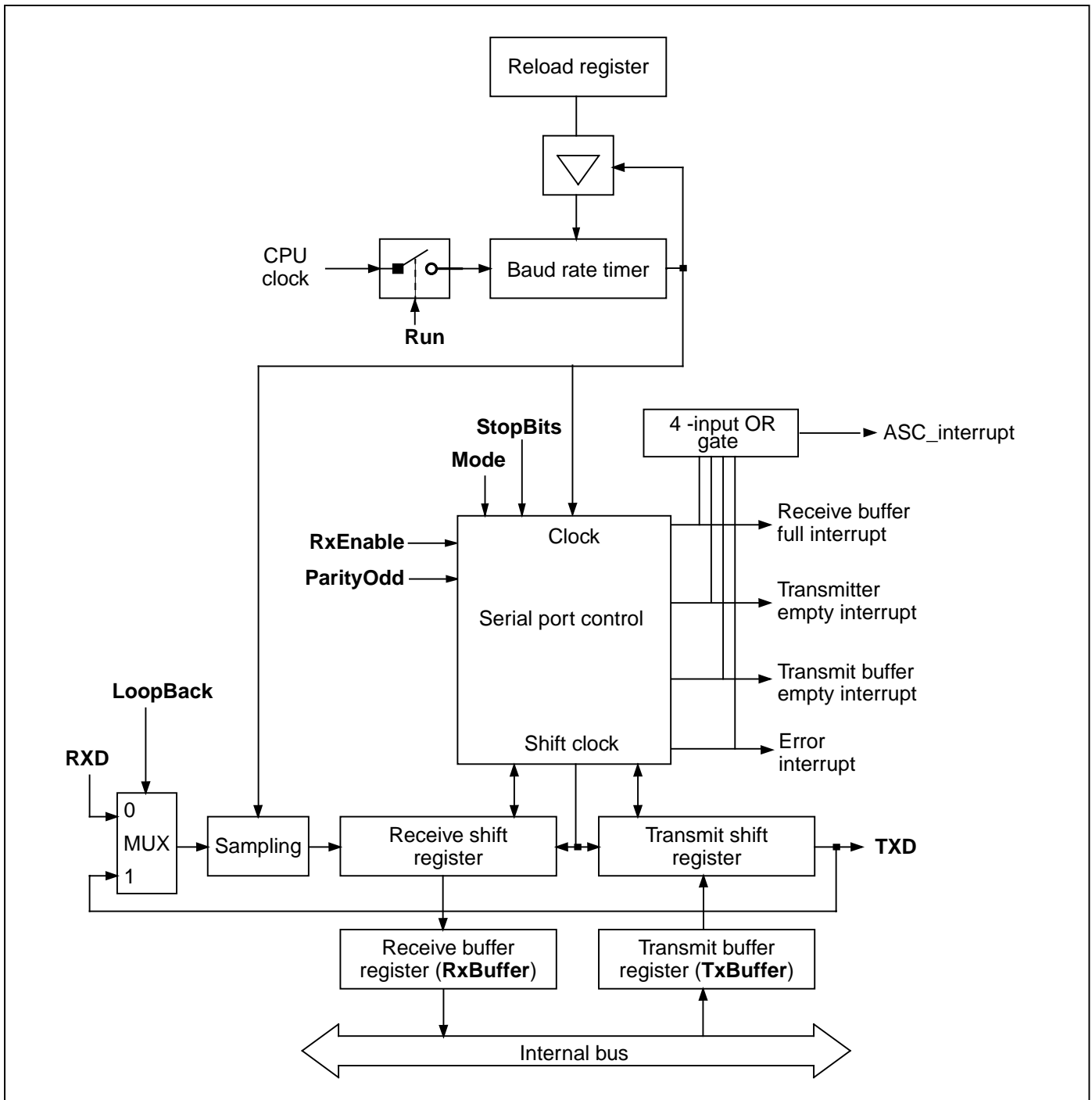


Figure 13.1 Block diagram of the ASC

Eight or nine bit data transfer, parity generation, and the number of stop bits are programmable. Parity, framing, and overrun error detection is provided to increase the reliability of data transfers. Transmission and reception of data is double-buffered. For multiprocessor communication, a mechanism to distinguish address from data bytes is included. Testing is supported by a loop-back option. A 16-bit baud rate generator provides the ASC with a separate serial clock signal.

13.1 Asynchronous serial controller operation

The operating mode of the serial channel ASC is controlled by the control register (**ASCControl**). This register contains control bits for mode and error check selection, and status flags for error identification.

A transmission is started by writing to the transmit buffer register (**ASCTxBuffer**), see Table 13.3.

Data transmission is double-buffered, therefore a new character may be written to the transmit buffer register, before the transmission of the previous character is complete. This allows characters to be sent back-to-back without gaps.

Data reception is enabled by the receiver enable bit (**RxEnable**) in the **ASCControl** register. After reception of a character has been completed the received data, and received parity bit if selected, can be read from the receive buffer register (**ASCRxBuffer**), refer to Table 13.4.

Data reception is double-buffered, so the reception of a second character may begin before the previously received character has been read out of the receive buffer register. The overrun error status flag (**OverrunError**) in the status register (**ASCStatus**), see Table 13.7, will be set when the receive buffer register has not been read by the time reception of a second character is complete. The previously received character in the receive buffer is overwritten, and the **ASCStatus** register is updated to reflect the reception of the new character.

The loop-back option (selected by the **LoopBack** bit) internally connects the output of the transmitter shift register to the input of the receiver shift register. This may be used to test serial communication routines at an early stage without having to provide an external network.

13.1.1 Data frames

Data frames are selected by the setting of the **Mode** bit field in the **ASCControl** register, see Table 13.5.

8-bit data frames

8-bit data frames consist of:

- eight data bits **D0-7**;
- seven data bits **D0-6** plus an automatically generated parity bit.

Parity may be odd or even, depending on the **ParityOdd** bit in the **ASCControl** register. An even parity bit will be set, if the modulo-2-sum of the seven data bits is 1. An odd parity bit will be cleared in this case. The parity error flag (**ParityError**) will be set if a wrong parity bit is received. The parity bit itself will be stored in bit 7 of the **ASCRxBuffer** register.

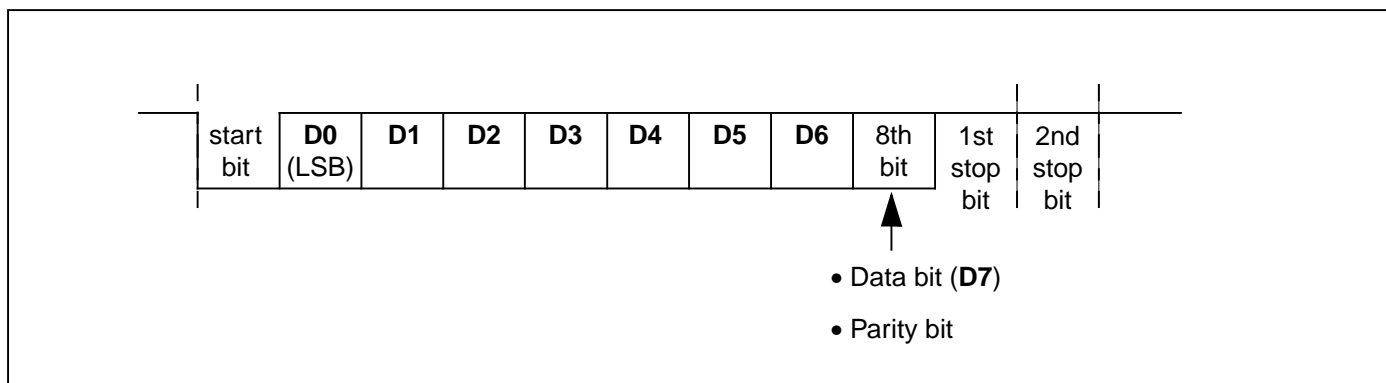


Figure 13.2 8-bit data frames

9-bit data frames

9-bit data frames consist of:

- nine data bits **D0-8**;
- eight data bits **D0-7** plus an automatically generated parity bit;
- eight data bits **D0-7** plus a wake-up bit.

Parity may be odd or even, depending on the **ParityOdd** bit in the **ASCControl** register. An even parity bit will be set, if the modulo-2-sum of the eight data bits is 1. An odd parity bit will be cleared in this case. The parity error flag (**ParityError**) will be set if a wrong parity bit is received. The parity bit itself will be stored in bit 8 of the **ASC Rx Buffer** register, see Table 13.4.

In wake-up mode, received frames are only transferred to the receive buffer register if the ninth bit (the wake-up bit) is 1. If this bit is 0, no receive interrupt request will be activated and no data will be transferred. This feature can be used to control communication in multi-processor systems. When the master processor wants to transmit a block of data to one of several slaves, it first sends out an address byte which identifies the target slave. An address byte differs from a data byte in that the additional ninth bit is a 1 for an address byte and a 0 for a data byte, so no slave will be interrupted by a data byte. An address byte will interrupt all slaves (operating in 8-bit data + wake-up bit mode), so each slave can examine the 8 least significant bits (LSBs) of the received character (the address). The addressed slave will switch to 9-bit data mode, which enables it to receive the data bytes that will be coming (with the wake-up bit cleared). The slaves that are not being addressed remain in 8-bit data + wake-up bit mode, ignoring the following data bytes.

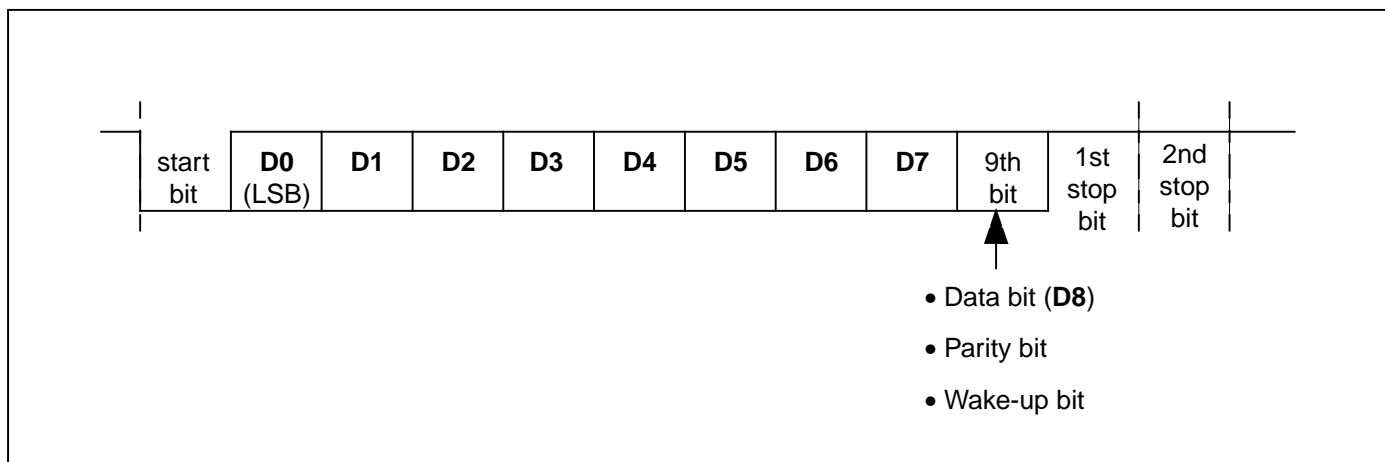


Figure 13.3 9-bit data frames

Transmission

Transmission begins at the next overflow of the divide-by-16 counter (see Figure 13.3 above), provided that the **Run** bit is set and data has been loaded into the **ASCTxBuffer**. The transmitted data frame consists of three basic elements:

- the start bit
- the data field (8 or 9 bits, least significant bit (LSB) first, including a parity bit, if selected)
- the stop bits (0.5, 1, 1.5 or 2 stop bits)

Data transmission is double buffered. When the transmitter is idle, the transmit data written into the transmit buffer is immediately moved to the transmit shift register, thus freeing the transmit buffer for the next data to be sent. This is indicated by the transmit buffer empty flag (**TxBufEmpty**) being set. The transmit buffer can be loaded with the next data, while transmission of the previous data is still going on.

The transmitter empty flag (**TxEEmpty**) will be set at the beginning of the last data frame bit that is transmitted, i.e. during the first system clock cycle of the first stop bit shifted out of the transmit shift register.

Reception

Reception is initiated by a falling edge on the data input pin (**RXD**), provided that the **Run** and **RxEnable** bits are set. The **RXD** pin is sampled at 16 times the rate of the selected baud rate. A majority decision of the first, second and third samples of the start bit determines the effective bit value. This avoids erroneous results that may be caused by noise.

If the detected value is not a 0 when the start bit is sampled, the receive circuit is reset and waits for the next falling edge transition of the **RXD** pin. If the start bit is valid, the receive circuit continues sampling and shifts the incoming data frame into the receive shift register. For subsequent data and parity bits, the majority decision of the seventh, eighth and ninth samples in each bit time is used to determine the effective bit value.

For 0.5 stop bits, the majority decision of the third, fourth, and fifth samples during the stop bit is used to determine the effective stop bit value.

For 1 and 2 stop bits, the majority decision of the seventh, eighth, and ninth samples during the stop bits is used to determine the effective stop bit values.

For 1.5 stop bits, the majority decision of the fifteenth, sixteenth, and seventeenth samples during the stop bits is used to determine the effective stop bit value.

When the last stop bit has been received (at the end of the last programmed stop bit period) the content of the receive shift register is transferred to the receive data buffer register (**ASCRxBuffer**). The receive buffer full flag (**RxBufFull**) is set, and the parity (**ParityError**) and framing error (**FrameError**) flags are updated, after the last stop bit has been received (at the end of the last stop bit programmed period), regardless of whether valid stop bits have been received or not. The receive circuit then waits for the next start bit (falling edge transition) at the **RXD** pin.

Reception is stopped by clearing the **RxEnable** bit. A currently received frame is completed including the generation of the receive status flags. Start bits that follow this frame will not be recognized.

Note: In wake-up mode, received frames are only transferred to the receive buffer register if the ninth bit (the wake-up bit) is 1. If this bit is 0, the receive buffer full (**RxBufFull**) flag will not be set and no data will be transferred.

13.2 Hardware error detection capabilities

To improve the safety of serial data exchange, the ASC provides three error status flags in the **ASCStatus** register which indicate if an error has been detected during reception of the last data frame and associated stop bits.

The parity error (**ParityError**) bit is set when the parity check on the received data is incorrect.

The framing error (**FrameError**) bit is set when the **RXD** pin is not a 1 during the programmed number of stop bit times, sampled as described in the section above.

The overrun error (**OverrunError**) bit is set when the last character received in the **ASCRxBuffer** register has not been read out before reception of a new frame is complete.

These flags are updated simultaneously with the transfer of data to the receive buffer.

13.3 Baud rate generation

The ASC has its own dedicated 16-bit baud rate generator with 16-bit reload capability.

The baud rate generator is clocked with the CPU clock. The timer counts downwards and can be started or stopped by the **Run** bit in the **ASCControl** register. Each underflow of the timer provides one clock pulse. The timer is reloaded with the value stored in its 16-bit reload register each time it underflows. The **ASCBaudRate** register is the dual-function baud rate generator/reload register. A read from this register returns the content of the timer, writing to it updates the reload register.

An auto-reload of the timer with the content of the reload register is performed each time the **ASCBaudRate** register is written to. However, if the **Run** bit is 0 at the time the write operation to the **ASCBaudRate** register is performed, the timer will not be reloaded until the first CPU clock cycle after the **Run** bit is 1.

13.3.1 Baud rates

The baud rate generator provides a clock at 16 times the baud rate. The baud rate and the required reload value for a given baud rate can be determined by the following formulas:

$$\text{Baud rate} = \frac{f_{\text{CPU}}}{16 \langle \text{ASCBaudRate} \rangle}$$

$$\langle \text{ASCBaudRate} \rangle = \left(\frac{f_{\text{CPU}}}{16 \times \text{Baud rate}} \right)$$

where: $\langle \text{ASCBaudRate} \rangle$ represents the content of the **ASCBaudRate** register, taken as unsigned 16-bit integer,
 f_{CPU} is the frequency of the CPU.

Note that altering the CPU speed selection pins will thus change the baud rate. Software can accommodate this by reading the **SysRatio** register, see section 10.3, in calculating the CPU frequency.

The table below lists various commonly used baud rates together with the required reload values and the deviation errors for the ST20-GP1 using a CPU clock of 33.736 MHz.

Baud rate	Reload value (exact)	Reload value (integer)	Reload value (hex)	Deviation error
38400	53.28125	53	35	-0.53%
28800	71.04167	71	47	-0.06%
19200	106.5625	107	6B	0.41%
14400	142.0833	142	8E	-0.06%
9600	213.125	213	D5	-0.06%
4800	426.25	426	1AA	-0.06%
2400	852.5	853	355	0.06%
1200	1705	1705	6A9	0.00%
600	3410	3410	D52	0.00%
300	6820	6820	1AA4	0.00%
75	27280	27280	6A90	0.00%

Table 13.1 Baud rates

Note: The deviation errors given in the table above are rounded.

13.4 Interrupt control

The ASC contains two registers that are used to control interrupts, the status register (**ASCStatus**) and the interrupt enable register (**ASCIntEnable**). The status bits in the **ASCStatus** register determine the cause of the interrupt. Interrupts will occur when a status bit is 1 (high) and the corresponding bit in the **ASCIntEnable** register is 1.

The error interrupt signal (**ErrorInterrupt**) is generated by the ASC from the OR of the parity error, framing error, and overrun error status bits after they have been ANDed with the corresponding enable bits in the **ASCIntEnable** register.

An overall interrupt request signal (**ASC_interrupt**) is generated from the OR of the **ErrorInterrupt** signal and the **TxEEmpty**, **TxBufEmpty** and **RxBufFull** signals.

Note: the status register *cannot* be written directly by software. The reset mechanism for the status register is described below.

The transmitter interrupt status bits (**TxEEmpty**, **TxBufEmpty**) are reset when a character is written to the transmitter buffer.

The receiver interrupt status bit (**RxBufFull**) is reset when a character is read from the receive buffer.

The error status bits (**ParityError**, **FrameError**, **OverrunError**) are reset when a character is read from the receive buffer.

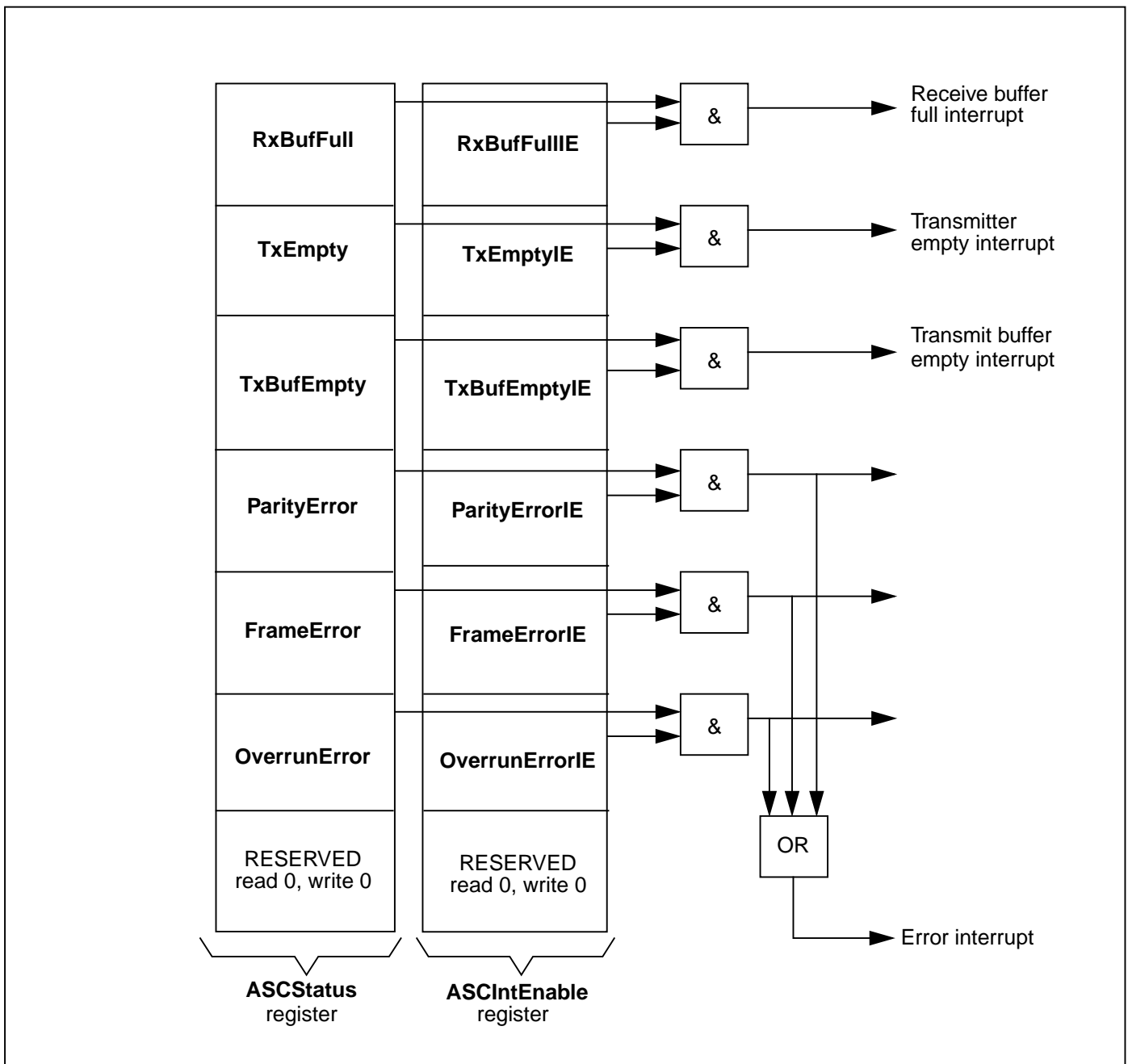


Figure 13.4 ASC status and interrupt registers

13.4.1 Using the ASC interrupts

For normal operation (i.e. besides the error interrupt) the ASC provides three interrupt requests to control data exchange via the serial channel:

- **TxBufEmpty** is activated when data is moved from **ASCTxBuffer** to the transmit shift register.
- **TxEEmpty** is activated before the last bit of a frame is transmitted.
- **RxBufFull** is activated when the received frame is moved to **ASCRxBuffer**.

The transmitter generates two interrupts. This provides advantages for the servicing software.

For single transfers it is sufficient to use the transmitter interrupt (**TxEEmpty**), which indicates that the previously loaded data has been transmitted, except for the last bit of a frame.

For multiple back-to-back transfers it is necessary to load the next data before the last bit of the previous frame has been transmitted. This leaves just one bit-time for the handler to respond to the transmitter interrupt request.

Using the transmit buffer interrupt (**TxBufEmpty**) to reload transmit data allows the time to transmit a complete frame for the service routine, as **ASCTxBuffer** may be reloaded while the previous data is still being transmitted.

As shown in Figure 13.5 below, **TxBufEmpty** is an early trigger for the reload routine, while **TxEEmpty** indicates the completed transmission of the data field of the frame. Therefore, software using handshake should rely on **TxEEmpty** at the end of a data block to make sure that all data has really been transmitted.

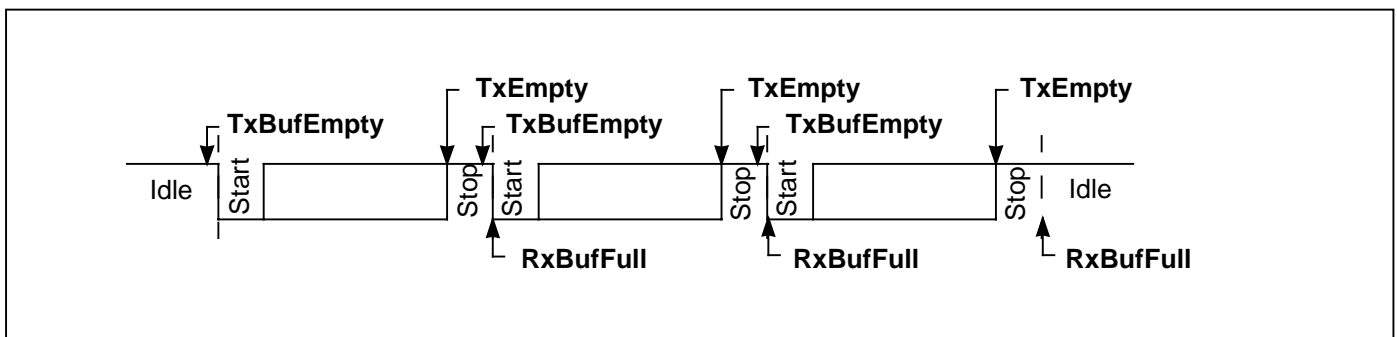


Figure 13.5 ASC interrupt generation

13.5 ASC configuration registers

ASCBaudRate register

The **ASCBaudRate** register is the dual-function baud rate generator/reload register.

A read from this register returns the content of the timer, writing to it updates the reload register.

An auto-reload of the timer with the content of the reload register is performed each time the **ASCBaudRate** register is written to. However, if the **Run** bit of the **ASCControl** register, see Table 13.5, is 0 at the time the write operation to the **ASCBaudRate** register is performed, the timer will not be reloaded until the first CPU clock cycle after the **Run** bit is 1.

ASCBaudRate		ASC base address + #00		Read/Write
Bit	Bit field	Write Function	Read Function	
15:0	ReloadVal	16-bit reload value	16-bit count value	

Table 13.2 ASCBaudRate register format

ASCTxBuffer register

Writing to the transmit buffer register starts data transmission.

ASCTxBuffer		ASC base address + #04		Write only
Bit	Bit field	Function		
0	TD0	Transmit buffer data D0		
1	TD1	Transmit buffer data D1		
2	TD2	Transmit buffer data D2		
3	TD3	Transmit buffer data D3		
4	TD4	Transmit buffer data D4		
5	TD5	Transmit buffer data D5		
6	TD6	Transmit buffer data D6		
7	TD7/Parity	Transmit buffer data D7, or parity bit - dependent on the operating mode (the setting of the Mode field in the ASCControl register).		
8	TD8/Parity /Wake/0	Transmit buffer data D8, or parity bit, or wake-up bit or undefined - dependent on the operating mode (the setting of the Mode field in the ASCControl register). Note: If the Mode field selects an 8-bit frame then this bit should be written as 0.		
15:9		RESERVED. Write 0.		

Table 13.3 ASCTxBuffer register format

ASCRxBuffer register

The received data and, if provided by the selected operating mode, the received parity bit can be read from the receive buffer register.

ASCRxBuffer		ASC base address + #08	Read only
Bit	Bit field	Function	
0	RD0	Receive buffer data D0	
1	RD1	Receive buffer data D1	
2	RD2	Receive buffer data D2	
3	RD3	Receive buffer data D3	
4	RD4	Receive buffer data D4	
5	RD5	Receive buffer data D5	
6	RD6	Receive buffer data D6	
7	RD7/Parity	Receive buffer data D7 , or parity bit - dependent on the operating mode (the setting of the Mode bit in the ASCControl register). Note: If the Mode field selects a 7-bit frame then this bit is undefined. Software should ignore this bit when reading 7-bit frames.	
8	RD8/Parity/Wake/X	Receive buffer data D8 , or parity bit, or wake-up bit - dependent on the operating mode (the setting of the Mode field in the ASCControl register). Note: If the Mode field selects a 7- or 8-bit frame then this bit is undefined. Software should ignore this bit when reading 7- or 8-bit frames.	
15:9		RESERVED. Will read back 0.	

Table 13.4 **ASCRxBuffer** register format

ASCControl register

This register controls the operating mode of the ASC and contains control bits for mode and error check selection, and status flags for error identification.

Note: Programming the mode control field (**Mode**) to one of the reserved combinations may result in unpredictable behavior.

Note: Serial data transmission or reception is only possible when the baud rate generator run bit (**Run**) is set to 1. When the **Run** bit is set to 0, **TXD** will be 1. Setting the **Run** bit to 0 will immediately freeze the state of the transmitter and receiver. This should only be done when the ASC is idle.

ASCControl		ASC base address + #0C	Read/Write
Bit	Bit field	Function	
2:0	Mode	ASC mode control Mode2:0 Mode 000 RESERVED 001 8-bit data 010 RESERVED 011 7-bit data + parity 100 9-bit data 101 8-bit data + wake up bit 110 RESERVED 111 8-bit data + parity	
4:3	StopBits	Number of stop bits selection StopBits1:0 Number of stop bits 00 0.5 stop bits 01 1 stop bit 10 1.5 stop bits 11 2 stop bits	
5	ParityOdd	Parity selection 0 Even parity (parity bit set on odd number of '1's in data) 1 Odd parity (parity bit set on even number of '1's in data)	
6	LoopBack	Loopback mode enable bit 0 Standard transmit/receive mode 1 Loopback mode enabled	
7	Run	Baud rate generator run bit 0 Baud rate generator disabled (ASC inactive) 1 Baud rate generator enabled	
8	RxEnable	Receiver enable bit 0 Receiver disabled 1 Receiver enabled	
15:9		RESERVED. Write 0, will read back 0.	

Table 13.5 **ASCControl** register format**ASCIntEnable register**

The **ASCIntEnable** register enables a source of interrupt.

Interrupts will occur when a status bit in the **ASCStatus** register is 1, and the corresponding bit in the **ASCIntEnable** register is 1.

ASCIntEnable		ASC base address + #10	Read/Write
Bit	Bit field	Function	
0	RxBufFullIE	Receiver buffer full interrupt enable 0 receiver buffer full interrupt disable 1 receiver buffer full interrupt enable	
1	TxEEmptyIE	Transmitter empty interrupt enable 0 transmitter empty interrupt disable 1 transmitter empty interrupt enable	
2	TxBufEmptyIE	Transmitter buffer empty interrupt enable 0 transmitter buffer empty interrupt disable 1 transmitter buffer empty interrupt enable	
3	ParityErrorIE	Parity error interrupt enable 0 parity error interrupt disable 1 parity error interrupt enable	
4	FrameErrorIE	Framing error interrupt enable 0 framing error interrupt disable 1 framing error interrupt enable	
5	OverrunErrorIE	Overrun error interrupt enable 0 overrun error interrupt disable 1 overrun error interrupt enable	
7:6		RESERVED. Write 0, will read back 0.	

Table 13.6 **ASCIntEnable** register format

ASCStatus register

The **ASCStatus** register determines the cause of an interrupt.

ASCStatus		ASC base address + #14	Read Only
Bit	Bit field	Function	
0	RxBufFull	Receiver buffer full flag 0 receiver buffer not full 1 receiver buffer full	
1	TxEEmpty	Transmitter empty flag 0 transmitter not empty 1 transmitter empty	
2	TxBufEmpty	Transmitter buffer empty flag 0 transmitter buffer not empty 1 transmitter buffer empty	
3	ParityError	Parity error flag 0 no parity error 1 parity error	
4	FrameError	Framing error flag 0 no framing error 1 framing error	
5	OverrunError	Overrun error flag 0 no overrun error 1 overrun error	
7:6		RESERVED. Write 0, will read back 0.	

Table 13.7 **ASCStatus** register format

14 Parallel input/output

The ST20-GP1 device has 6 bits of Parallel Input/Output (PIO), each bit is programmable as an input or an output.

The input bits can be compared against a register and an interrupt generated when the value is not equal.

14.1 PIO Port

Each of the bits of the PIO port has a corresponding bit in the PIO registers associated with the port. These registers hold: output data for the port (**POut**); the input data read from the pin (**PIn**); PIO bit configuration register (**PC1**); and the two input compare function registers (**PComp** and **PMask**).

All of the registers, except the **PIn** register, are each mapped onto three separate addresses so that bits can be set or cleared individually.

The **Set_** register allows bits to be set individually. Writing a '1' in this register sets the corresponding bit in the associated register, a '0' leaves the bit unchanged.

The **Clear_** register allows bits to be cleared individually. Writing a '1' in this register resets the corresponding bit in the associated register, a '0' leaves the bit unchanged.

14.1.1 PIO Data registers

The base addresses for the PIO registers are given in the Memory Map chapter.

POut register

This register holds output data for the port.

POut		PIO port base address + #00	Read/Write
Bit	Bit field	Function	
0	POut0	Output data bit 0	
1	POut1	Output data bit 1	
2	POut2	Output data bit 2	
3	POut3	Output data bit 3	
4	POut4	Output data bit 4	
5	POut5	Output data bit 5	

Table 14.1 **POut** register format

PIn register

The data read from this register will give the logic level present on an input pin at the start of the read cycle to this register. The read data will be the last value written to the register irrespective of the pin configuration selected.

PIn		PIO port base address + #10	Read only
Bit	Bit field	Function	
0	PIn0	Input data bit 0	
1	PIn1	Input data bit 1	
2	PIn2	Input data bit 2	
3	PIn3	Input data bit 3	
4	PIn4	Input data bit 4	
5	PIn5	Input data bit 5	

Table 14.2 PIn register format

14.1.2 PIO bit configuration register

The **PC1** register is used to configure each of the PIO port bits as an input or output. Writing a 0 configures the bit as an input, a 1 configures the bit as an output.

PC1		PIO port base address + #30	Read/Write
Bit	Bit field	Function	
0	ConfigData0	Configures the PIO bit 0 as an input or an output.	
1	ConfigData1	Configures the PIO bit 1 as an input or an output.	
2	ConfigData2	Configures the PIO bit 2 as an input or an output.	
3	ConfigData3	Configures the PIO bit 3 as an input or an output.	
4	ConfigData4	Configures the PIO bit 4 as an input or an output.	
5	ConfigData5	Configures the PIO bit 5 as an input or an output.	

Table 14.3 PC1 register format

14.1.3 PIO Input compare and Compare mask registers

The input compare (**PComp**) register holds the value to which the input data from the PIO port pins will be compared. If any of the input bits are different from the corresponding bits in the **PComp** register, and the corresponding bit in the compare mask (**PMask**) register is set to 1, then the internal interrupt signal for the port will be set to 1.

The compare function is sensitive to changes in levels on the pins and so the change in state on the input pin must be greater in duration than the interrupt response time for the compare to be seen as a valid interrupt by an interrupt service routine.

PComp		PIO port base address + #50	Read/Write
Bit	Bit field	Function	
0	PComp0	Value to which input data bit 0 will be compared.	
1	PComp1	Value to which input data bit 1 will be compared.	
2	PComp2	Value to which input data bit 2 will be compared.	
3	PComp3	Value to which input data bit 3 will be compared.	
4	PComp4	Value to which input data bit 4 will be compared.	
5	PComp5	Value to which input data bit 5 will be compared.	

Table 14.4 **PComp** register format

PMask		PIO port base address + #60	Read/Write
Bit	Bit field	Function	
0	PMask0	When set to 1, the compare function for the internal interrupt for the port is enabled. When enabled, if input data bit 0 is different to PComp0 then an interrupt is generated.	
1	PMask1	When set to 1, the compare function for the internal interrupt for the port is enabled. When enabled, if input data bit 1 is different to PComp1 then an interrupt is generated.	
2	PMask2	When set to 1, the compare function for the internal interrupt for the port is enabled. When enabled, if input data bit 2 is different to PComp2 then an interrupt is generated.	
3	PMask3	When set to 1, the compare function for the internal interrupt for the port is enabled. When enabled, if input data bit 3 is different to PComp3 then an interrupt is generated.	
4	PMask4	When set to 1, the compare function for the internal interrupt for the port is enabled. When enabled, if input data bit 4 is different to PComp4 then an interrupt is generated.	
5	PMask5	When set to 1, the compare function for the internal interrupt for the port is enabled. When enabled, if input data bit 5 is different to PComp5 then an interrupt is generated.	

Table 14.5 **PMask** register format

15 Byte-wide parallel port

The byte-wide parallel port is provided to drive an external device using 8-bit half-duplex streamed I/O and two control wires.

The byte-wide parallel port has 2 modes of operation, as follows:

- it can operate as an ASIC interface. In this mode the external data transfer is controlled by the EMI strobes and addresses.
- it can operate as a byte-wide parallel link (PLink) using an external asynchronous transfer mechanism to control transfers.

The mode of operation is determined by the setting of the configuration registers, see Section 15.3.

15.1 EMI mode operation

In this mode the EMI is in total control of the **PlinkData0-7** pins. The **PlinknotAck** output is forced to its 'inactive' state during this mode.

The interface to the external device is controlled by the EMI. The bottom 8 bits of the EMI data bus (**MemData0-7**) are redirected (copied) to the **PlinkData0-7** pins. The direction of these pads is controlled by the EMI. The external timing and data transfer of this activity is controlled by the programmed configuration of the EMI bank 2 (see Section 9.5 on page 58).

15.2 Parallel link (DMA) mode operation

In this mode the byte-wide parallel port is a DMA (direct memory access) engine which performs memory transfers to and from the external links on behalf of a controller (the CPU). The parallel link is unidirectional and only transfers data in one direction across the memory bus at any given time.

The byte-wide parallel port defaults to input (to the ST20-GP1) when the ST20-GP1 is reset (with the **notRST** pin) to prevent contention, and can be used for DMA functions without interfering with memory bank 2. However to access external registers via the **PlinkData0-7** pins, the bit in the **PlinkEmi** register (see Table 15.1) must be set by software. This results in all accesses to external memory bank 2 being diverted via the port rather than **MemData0-7**, allowing both register and DMA access to the external peripheral. External memory bank 2 must be dedicated solely for this use while the register access of this external peripheral is enabled.

Being half-duplex, the direction of the link when in DMA mode must be selected in software by setting the bit in the **PlinkIO** register (see Table 15.2 below). Data transfer for the parallel port (for DMA transfers) occur by the use of a channel. When the EMI is using these pads the directionality is controlled by the EMI and not the DMA control register.

15.3 Configuration registers

There are three control registers for the parallel port which are programmed by use of *devsw* (device store) and *devlw* (device load) instructions. The base address for the parallel port configuration registers is given in the Memory Map chapter.

PlinkEmi register

The **PlinkEmi** register determines the mode of operation of the port.

PlinkEmi		Parallel port base address + #00	Read/Write
Bit	Bit field	Function	
0	PlinkEmi	This bit determines the mode of operation of the port.	
		PlinkEmi	Mode
		0	DMA mode (reset state)
		1	EMI mode

Table 15.1 **PlinkEmi** register format

PlinkIO

The **PlinkIO** register determines the direction of the port interactions when in the DMA mode of operation.

PlinkIO		Parallel port base address + #04	Read/Write
Bit	Bit field	Function	
0	PlinkIO	This bit controls the direction of the parallel port interactions when in DMA mode.	
		PlinkIO	Direction
		0	inputs (reset state)
		1	outputs

Table 15.2 **PlinkIO** register format

PlinkMode

The **PlinkMode** register determines the external protocol used for interactions.

PlinkMode		Parallel port base address + #08	Read/Write
Bit	Bit field	Function	
0	PlinkMode	These bits control the external protocol used for interactions.	
		PlinkMode	Protocol
		00	Idle (reset state)
		01	Dreq/Dack mode
		10	Valid/Ack mode
		11	Direct mode

Table 15.3 **PlinkMode** register format

15.4 External data transfer protocols

The byte-wide parallel port has three control pins. **PlinknotReq** and **PlinknotAck** control data transfers and the **PlinkOut** pin controls external buffers, if required (e.g. an external 3V/5V buffer device). When the **PlinkOut** pin is high it signals the plink is outputting.

The control pins can support three external protocols, as follows:

- Dreq/Dack protocol
- Valid/Ack protocol
- Direct DMA protocol

The protocol used for interactions is programmable via the **PlinkMode** register. In addition, the direction of the link is controlled by the **PlinkIO** register (see Table 15.2).

15.4.1 Dreq/Dack protocol

In this mode the 2 control pins **PlinknotReq** (Dreq) and **PlinknotAck** (Dack) are active low. The initial (inactive) state of the 2 control wires is high.

Dreq/Dack output

The sequence of events for a Dreq/Dack output is outlined below.

- 1 **PlinknotReq** (Dreq), input to ST20, is taken low by the external ASIC.
- 2 The ST20-GP1 asserts the **PlinknotAck** (Dack) output low. The ASIC can then take **PlinknotReq** (Dreq) high.
- 3 Following **PlinknotAck** (Dack) going low, the data in the DMA buffer is applied to the output pins. **PlinknotAck** (Dack) is forced high and the output drivers are tristated. The ASIC can initiate the next transfer.

Dreq/Dack input

The sequence of events for a Dreq/Dack input is outlined below.

- 1 **PlinknotReq** (Dreq), input to ST20, is taken low by the external ASIC.
- 2 The ST20-GP1 then asserts the **PlinknotAck** (Dack) output low.
- 3 The external ASIC applies the data to be transferred to the **PlinkData0-7** pins. The ASIC can then return **PlinknotReq** (Dreq) high at any time.
- 4 The data on the input pins is sampled, then **PlinknotAck** (Dack) is forced high.

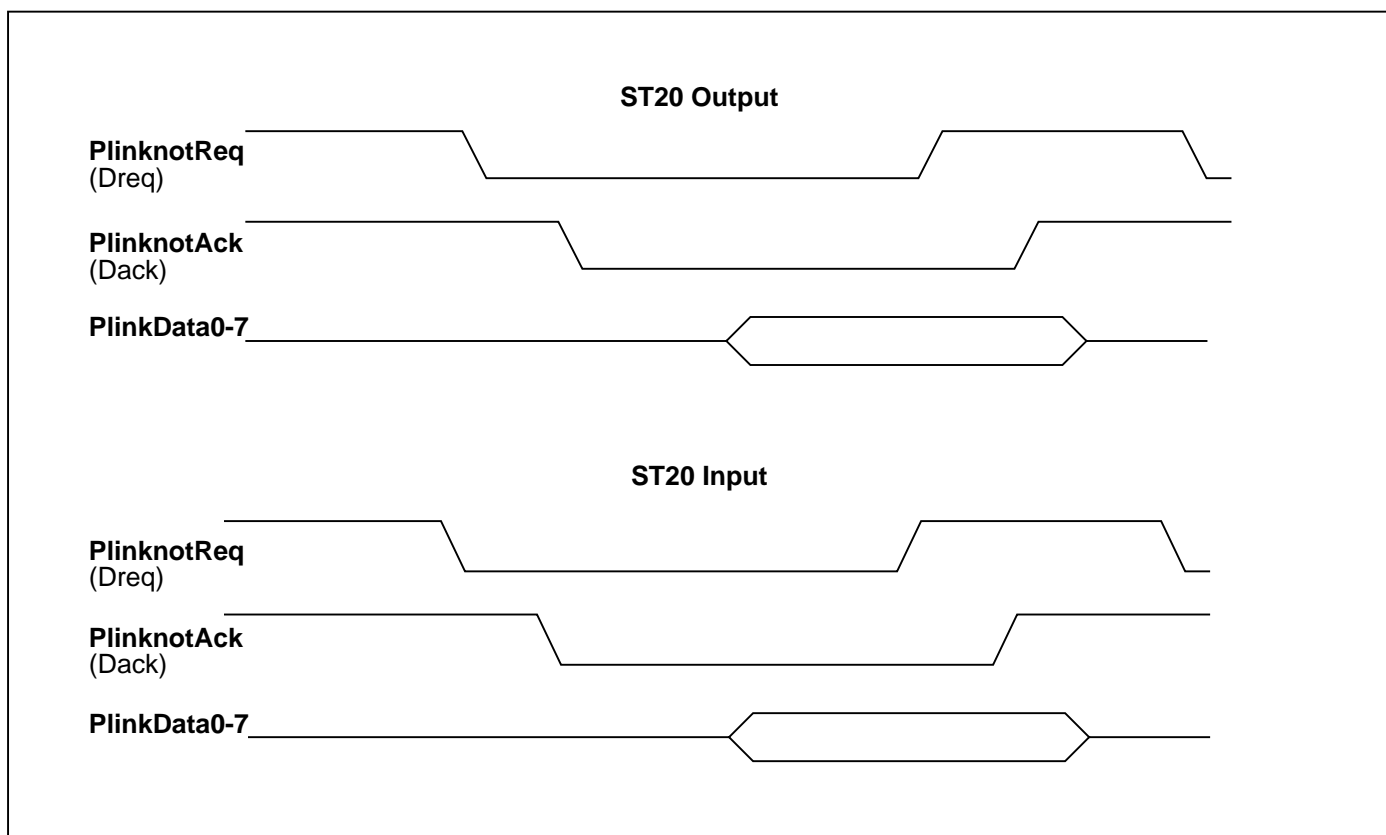


Figure 15.1 Dreq/Dack protocol

15.4.2 Valid/Ack protocol

In this mode the 2 control pins **PlinknotReq** (Qack/Ivalid) and **PlinknotAck** (Qvalid/lack) are active high. The initial (inactive) state of the 2 control wires is low.

Valid Ack output

An output transaction proceeds as follows.

- 1 The DMA is programmed to perform an *out* and the DMA engine receives its first byte in the buffer from the EMI.
- 2 The PLink drives the data to the **PlinkData0-7** pins and drives **PlinknotAck** (Qvalid) high.
- 3 The external device acknowledges receipt of the data by taking **PlinknotReq** (Qack) high. The PLink can then take **PlinknotAck** (Qvalid) low.
- 4 The external device can take **PlinknotReq** (Qack) low ready for the next transaction.

Valid Ack input

An input transaction proceeds as follows.

- 1 The external device drives the data pins and **PlinknotReq** (Ivalid) is asserted high.
- 2 If the DMA engine has empty buffer space **PlinkData0-7** is latched and **PlinknotAck** (lack) is driven high by the PLink. The DMA writes to the appropriate address in memory.
- 3 The external device can then drive **PlinknotReq** (Ivalid) low.
- 4 **PlinknotAck** (lack) can be taken low. The external device can then initiate the next transaction.

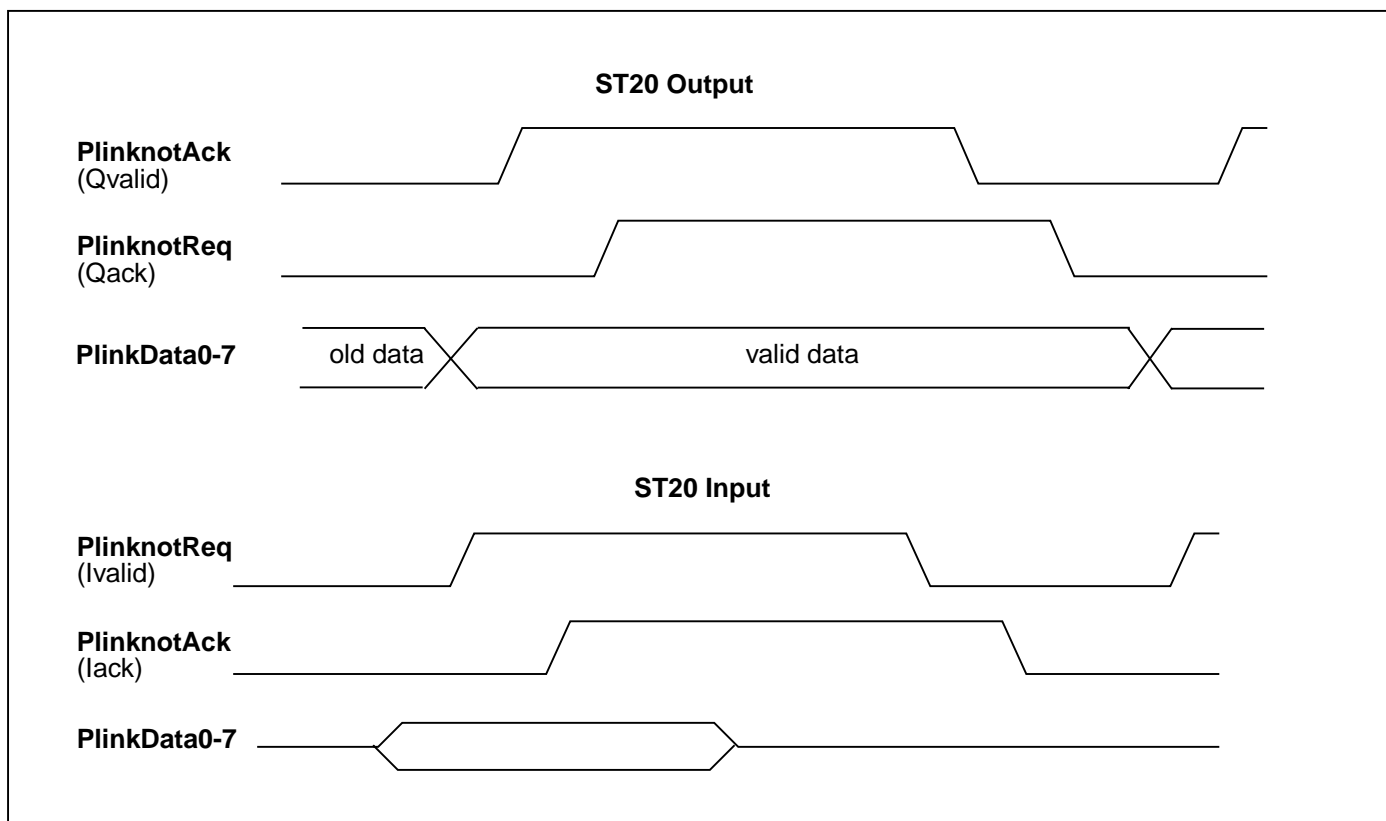


Figure 15.2 Valid/Ack protocol

15.4.3 Direct DMA protocol

In this mode the PLink becomes an unsynchronized (i.e. direct action) bus. The **PlinknotAck** output still behaves as if it were acknowledging a real transfer. The **PlinknotReq** signal has no effect in this mode of operation. In this mode **PlinknotAck** is active high. The initial (inactive) state of the pin is low.

Direct mode output

To drive the output pins the PLink must be programmed to make a single byte DMA. If more than one byte is output, the PLink will continue to drive the output pins as fast as the output DMA can feed the data, i.e. once every 8 or more system clock cycles, until the correct number of bytes have been output. The sequence of events for a single byte read is outlined below. When configured as an output the drivers are always driven.

- 1 The PLink forces the **PlinknotAck** pin high. The output pins are then driven with the new data and the **PlinknotAck** pin is forced low.
- 2 The output data remains static and driven to the pads until either a new value is written as output or until the link direction is changed. If the PLink returns to direct output mode, the old data is once again driven to the pads.

Note: At reset **PlinknotAck** is a logic one, appearing to the outside world as an 'acknowledge'. External logic will assume that the data has been read. Therefore after programming the PLink to direct mode the **PlinknotAck** output falls.

Direct mode input

To read the input pins the PLink must be programmed to make a single byte DMA. The sequence of events for a single byte read is outlined below.

- 1 The PLink forces the **PlinknotAck** pin high. The input pins are then read and the **PlinknotAck** pin is forced low.

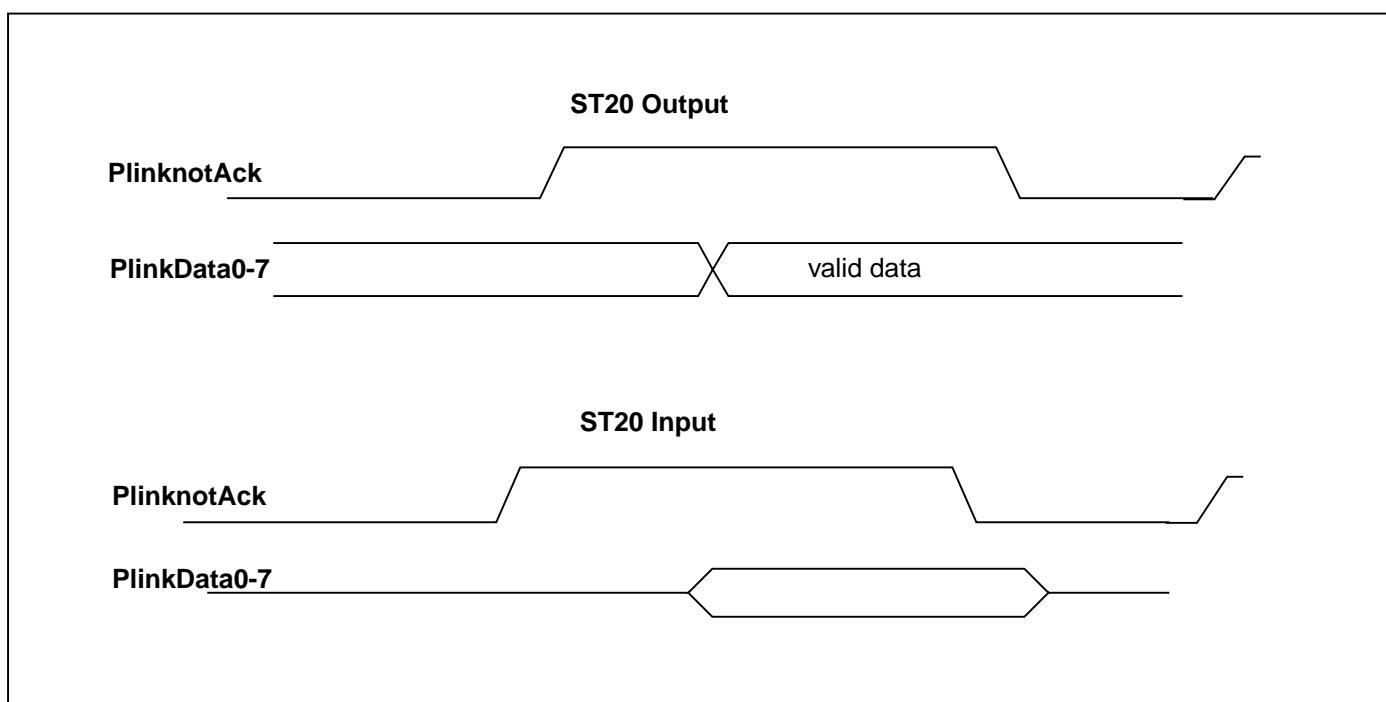


Figure 15.3 Direct DMA protocol

16 Configuration register addresses

This chapter lists all the ST20-GP1 configuration registers and gives the addresses of the registers. The complete bit format of each of the registers and its functionality is given in the relevant chapter.

The registers can be examined and set by the *devlw* (device load word) and *devsw* (device store word) instructions. Note, they cannot be accessed using memory instructions.

Register	Address	Size	Set	Clear	Read/Write
HandlerWptr0	#20000000	32			R/W
HandlerWptr1	#20000004	32			R/W
HandlerWptr2	#20000008	32			R/W
HandlerWptr3	#2000000C	32			R/W
HandlerWptr4	#20000010	32			R/W
TriggerMode0	#20000040	3			R/W
TriggerMode1	#20000044	3			R/W
TriggerMode2	#20000048	3			R/W
TriggerMode3	#2000004C	3			R/W
TriggerMode4	#20000050	3			R/W
Pending	#20000080	5	Interrupt trigger	Interrupt grant	R/W
Set_Pending	#20000084	5			W
Clear_Pending	#20000088	5			W
Mask	#200000C0	17			R/W
Set_Mask	#200000C4	17			W
Clear_Mask	#200000C8	17			W
Exec	#20000100	5	Interrupt valid	Interrupt done	R/W
Set_Exec	#20000104	5			W
Clear_Exec	#20000108	5			W
LPTimerLS	#20000400	32			R/W
LPTimerMS	#20000404	32			R/W
LPTimerStart	#20000408	1		By a write to LP-TimerLS or LP-TimerMS	R/W
LPAIarmLS	#20000410	32			R/W
LPAIarmMS	#20000414	8			R/W
LPAIarmStart	#20000418	1			R/W
LPSysPII	#20000420	2			R/W
SysRatio	#20000500	6			R
WdEnable	#20000510	1			R/W

Table 16.1 ST20-GP1 configuration register addresses

Register	Address	Size	Set	Clear	Read/ Write
WdFlag	#20000514	1			R
EmiConfigDataField0	#20002000	32			R/W
EmiConfigDataField1	#20002004	32			R/W
EmiConfigDataField2	#20002008	32			R/W
EmiConfigDataField3	#2000200C	32			R/W
EmiConfigLock	#20002010	32			W
EmiConfigStatus	#20002020	32			R
EmiConfigStall	#20002030	32			W
ASC0BaudRate	#20004000	16			R/W
ASC0TxBuffer	#20004004	16			W
ASC0RxBuffer	#20004008	16			R
ASC0Control	#2000400C	16			R/W
ASC0IntEnable	#20004010	8			R/W
ASC0Status	#20004014	8			R
ASC1BaudRate	#20006000	16			R/W
ASC1TxBuffer	#20006004	16			W
ASC1RxBuffer	#20006008	16			R
ASC1Control	#2000600C	16			R/W
ASC1IntEnable	#20006010	8			R/W
ASC1Status	#20006014	8			R
POut	#20008000	6			R/W
Set_POut	#20008004	6			W
Clear_POut	#20008008	6			W
PIn	#20008010	6			R
PC1	#20008030	6			R/W
Set_PC1	#20008034	6			W
Clear_PC1	#20008038	6			W
PComp	#20008050	6			R/W
Set_PComp	#20008054	6			W
Clear_PComp	#20008058	6			W
PMask	#20008060	6			R/W
Set_PMask	#20008064	6			W
Clear_PMask	#20008068	6			W
PlinkEmi	#2000A000	1			R/W
PlinkIO	#2000A004	1			R/W
PlinkMode	#2000A008	2			R/W

Table 16.1 ST20-GP1 configuration register addresses

Register	Address	Size	Set	Clear	Read/ Write
PRNcode0	#2000C000	7			W
PRNcode1	#2000C004	7			W
PRNcode2	#2000C008	7			W
PRNcode3	#2000C00C	7			W
PRNcode4	#2000C010	7			W
PRNcode5	#2000C014	7			W
PRNcode6	#2000C018	7			W
PRNcode7	#2000C01C	7			W
PRNcode8	#2000C020	7			W
PRNcode9	#2000C024	7			W
PRNcode10	#2000C028	7			W
PRNcode11	#2000C02C	7			W
PRNphase0	#2000C040	19			W
PRNphase0WrEn		1			R
PRNphase1	#2000C044	19			W
PRNphase1WrEn		1			R
PRNphase2	#2000C048	19			W
PRNphase2WrEn		1			R
PRNphase3	#2000C04C	19			W
PRNphase3WrEn		1			R
PRNphase4	#2000C050	19			W
PRNphase4WrEn		1			R
PRNphase5	#2000C054	19			W
PRNphase5WrEn		1			R
PRNphase6	#2000C058	19			W
PRNphase6WrEn		1			R
PRNphase7	#2000C05C	19			W
PRNphase7WrEn		1			R
PRNphase8	#2000C060	19			W
PRNphase8WrEn		1			R
PRNphase9	#2000C064	19			W
PRNphase9WrEn		1			R
PRNphase10	#2000C068	19			W
PRNphase10WrEn		1			R
PRNphase11	#2000C06C	19			W
PRNphase11WrEn		1			R

Table 16.1 ST20-GP1 configuration register addresses

Register	Address	Size	Set	Clear	Read/ Write
NCOfrequency0	#2000C080	18			W
NCOfrequency1	#2000C084	18			W
NCOfrequency2	#2000C088	18			W
NCOfrequency3	#2000C08C	18			W
NCOfrequency4	#2000C090	18			W
NCOfrequency5	#2000C094	18			W
NCOfrequency6	#2000C098	18			W
NCOfrequency7	#2000C09C	18			W
NCOfrequency8	#2000C0A0	18			W
NCOfrequency9	#2000C0A4	18			W
NCOfrequency10	#2000C0A8	18			W
NCOfrequency11	#2000C0AC	18			W
NCOphase0	#2000C0C0	7			W
NCO1phase	#2000C0C4	7			W
NCOphase2	#2000C0C8	7			W
NCOphase3	#2000C0CC	7			W
NCOphase4	#2000C0D0	7			W
NCOphase5	#2000C0D4	7			W
NCOphase6	#2000C0D8	7			W
NCOphase7	#2000C0DC	7			W
NCOphase8	#2000C0E0	7			W
NCOphase9	#2000C0E4	7			W
NCOphase10	#2000C0E8	7			W
NCOphase11	#2000C0EC	7			W
PRNinitialVal0	#2000C100	10			W
PRNinitialVal1	#2000C104	10			W
DSPControl	#2000C140	4			W

Table 16.1 ST20-GP1 configuration register addresses

17 Electrical specifications

Absolute maximum ratings

Operation beyond the absolute maximum ratings may cause permanent damage to the device.

All voltages are measured referred to **GND**.

Symbol	Parameter	Min	Max	Units	Notes
VDD	DC power supply	-0.5	4.5	V	
VDDrtc	Voltage at RTCVDD pin referred to GND	-0.5	4.5	V	
Ts	Storage temperature (ambient)	-55	125	°C	
Tj	Temperature under bias (junction)	-40	125	°C	1
Io	Continuous DC output current from any output pin.	-20	20	mA	2
Vi	Applied voltage to all functional pins excluding LPClockIn , notRST and test control pins.	-0.5	VDD + 0.5	V	
Virtc	Applied voltage to LPClockIn , notRST and test control pins.	-0.5	VDDrtc + 0.5	V	
Vo	Voltage on bi-directional and output pins except notMemCE0 .	-0.5	VDD + 0.5	V	
Vortc	Voltage on the notMemCE0 pin	-0.5	VDDrtc + 0.5	V	
PDmax	Power dissipation in package		2.0	W	

Table 17.1 Absolute maximum ratings

Notes

- 1 For a package junction to case thermal resistance of 14°C/W.
- 2 For reliability reasons the long-term current from any pin may be limited to a lower value than stated here.

Operating conditions

Symbol	Parameter	Min	Max	Units	Notes
Ta	Ambient operating temperature of case	-40	85	°C	
Tj	Operating temperature of junction	-40	125	°C	1
Vi	Applied voltage to all functional input pins and bidirectional pins excluding LPClockIn , notRST and test control pins.	0	VDD	V	
Virtc	Applied voltage to LPClockIn , notRST and test control pins	0	VDDrtc	V	
fclk	ClockIn frequency ClockIn frequency in TimesOneMode		16.5 36	MHz MHz	2
Cl	Load capacitance per pin		50	pF	

Table 17.2 Operating conditions

Notes

- 1 For a package junction to case thermal resistance of 14°C/W.
- 2 The nominal input clock frequency must be 16.368 MHz for the DSP module to function correctly with the GPS satellites.

DC specifications

Symbol	Parameter	Min	Typical	Max	Units	Notes
VDD	Positive supply voltage during normal operation.	3.0	3.3	3.6	V	
VDDoff	Positive supply voltage when device is off but real time clock is running.	-0.3	0	0.3	V	
VDDrtc	Voltage at RTCVDD pin referred to GND .	3.0	3.3	3.6	V	
VDDdiff	VDD-VDDrtc during normal operation and notRST set to 1.	-0.3	0	0.3	V	1
Vih	Input logic 1 for LPClockIn , notRST and test control pins. Input logic 1 for all other inputs. PIO pins.	2.0 2.0 2.4		VDDrtc + 0.5 VDD + 0.5 VDD + 0.5	V	
Vil	Input logic 0 for all inputs.	-0.5		0.8		
Iin	Input current to input pins.	-10		10	μA	
Ioz	Off state digital output current.	-50		50	μA	
Vohdc	Output logic 1	2.4		VDD	V	2
Voldc	Output logic 0	0		0.4		3
Cin	Input capacitance (input only pins).		4	10	pF	
Cout	Output capacitance and capacitance of bidirectional pins.		6	15	pF	
Pop	Operational power consumption under heavy device activity. fclk of 16.368 MHz and SpeedSelect set to PLL operation (x1). No external memory used.		0.5	0.8	W	4
Papp	Operational power consumption under 'typical' device activity. fclk of 16.368 MHz and SpeedSelect set to PLL operation (x2). External memory used.		0.75	1.1	W	4
Pstby	Operational power during stand-by.		0.16	0.3	W	5
Prtc	Operational power for the real time clock only, supplied through the RTCVDD pin.			1	mW	6

Table 17.3 DC specification

Notes

- 1 This is the static specification to ensure low current.
- 2 Output current of 2mA.
- 3 Output current of -2mA.
- 4 Excludes power used to drive external loads. Includes operation of the 32 KHz watch crystal oscillator.
- 5 Device operation suspended by use of the low power controller with **VDD** and **RTCVDD** within specification. Frequency of system clock (fclk) is 16.368 MHz and frequency of low power clock is 32768 Hz.
- 6 With **RTCVDD** within specification and **VDD** at 0 V. All inputs static except **LowPowerClockIn** and **LowPowerClockOsc**, frequency of low power clock 32768 Hz. All other inputs must be in the range -0.1 to 0.1 V.

AC specifications

Symbol	Parameter	Min	Typical	Max	Units	Notes
tvddr	Rise time of VDD during power up (measured between 0.3 V and 2.7 V).	5 ns		100 ms		1, 2
tvddf	Fall time of VDD during power down (measured between 2.7 V and 0.3 V).	5 ns		100 ms		1, 2

Table 17.4 AC Specification

Notes

- 1 The maximum is only a guideline to ensure a low current consumption during the change in **VDD**.
- 2 The transition need not be monotonic, providing that the **notRST** pin is forced low during the whole period while the main **VDD** voltage is not within limits set in the DC operating conditions.

18 GPS Performance

This chapter details the performance of a ST20-GP1 based GPS receiver.

Note that the performance is dependent on the quality of the user radio, antenna and software used to track the signal and to calculate the resultant position.

18.1 Accuracy

18.1.1 Benign site

The accuracy performance of a GPS receiver is dependent on external factors, in particular the deliberate degradation of the signal by the US DoD, known as Selective Availability (SA). This results in an error specification of 100m.

If signal errors are corrected by differential GPS, the ST20-GP1 can achieve better than 1m accuracy with 1-second rate corrections. Note that the ST20-GP1 supports the RTCA-SC159 provided corrections with no additional hardware.

For surveying use, the resolution of the counters used in the phase/frequency tracking allows resolution down to 1mm.

	Accuracy
Stand alone	
with Selective Availability	< 100m
without Selective Availability	< 30m
Differential	< 1m
Surveying	< 1cm

Table 18.1 Accuracy performance

18.1.2 Under harsh conditions

Under harsh conditions, accuracy degrades due to:

- noise on the weakened signal
- reflected signals from buildings and cliffs
- obstruction of satellites

The ST20-GP1 pays a 2 dB signal/noise ratio penalty by using 1-bit signal coding, there are then no further losses in the signal processing hardware. The fast sampling rate, with both in-phase and quadrature channels, results in the subsequent processing being 11 dB better, on a signal to noise ratio, than earlier systems that sample at 2 MHz. Thus there is a 9 dB overall improvement.

18.2 Time to first fix

Condition	Receiver situation	Time to first fix
autonomous start	the receiver has no estimate of time/date/position and no recent almanac	90s
cold start	the receiver has estimated time/date/position and almanac	45s
warm start	the receiver has estimated time/date/position and almanac and still valid ephemeris data	7s
obscuration	the receiver has precise time (to μ s level) as its calibrated clock is not stopped	1s

Table 18.2 Time to first fix

19 Timing specifications

19.1 EMI timings

The timings are based on a 50 pF load, and are taken at a threshold of 1.5 V.

Symbol	Parameter	Min	Max	Units	Notes
tCHAV	Reference clock high to Address valid	-9.0	0.0	ns	
tCLSV	Reference clock low to Strobe valid	-11.0	3.0	ns	
tCHSV	Reference clock high to Strobe valid	-9.0	0.0	ns	
tRDVCH	Read Data valid to Reference clock high	32.0	-	ns	
tCHRDV	Read Data hold after Reference clock high	-9.0	-	ns	
tCHWDV	Reference clock high to Write Data valid	-9.0	2.0	ns	
tWVCH	MemWait valid to Reference clock high	27.0	-	ns	
tCHWX	MemWait hold after Reference clock high	-6.0	-	ns	

Table 19.1 EMI cycle timings

Note: The 'Reference clock' used in the EMI timings is a virtual clock and is defined as the point at which all data and address outputs are valid. This is designed to remove process dependent skews from the datasheet description and highlight the dominant influence of address and data timings on memory system design.

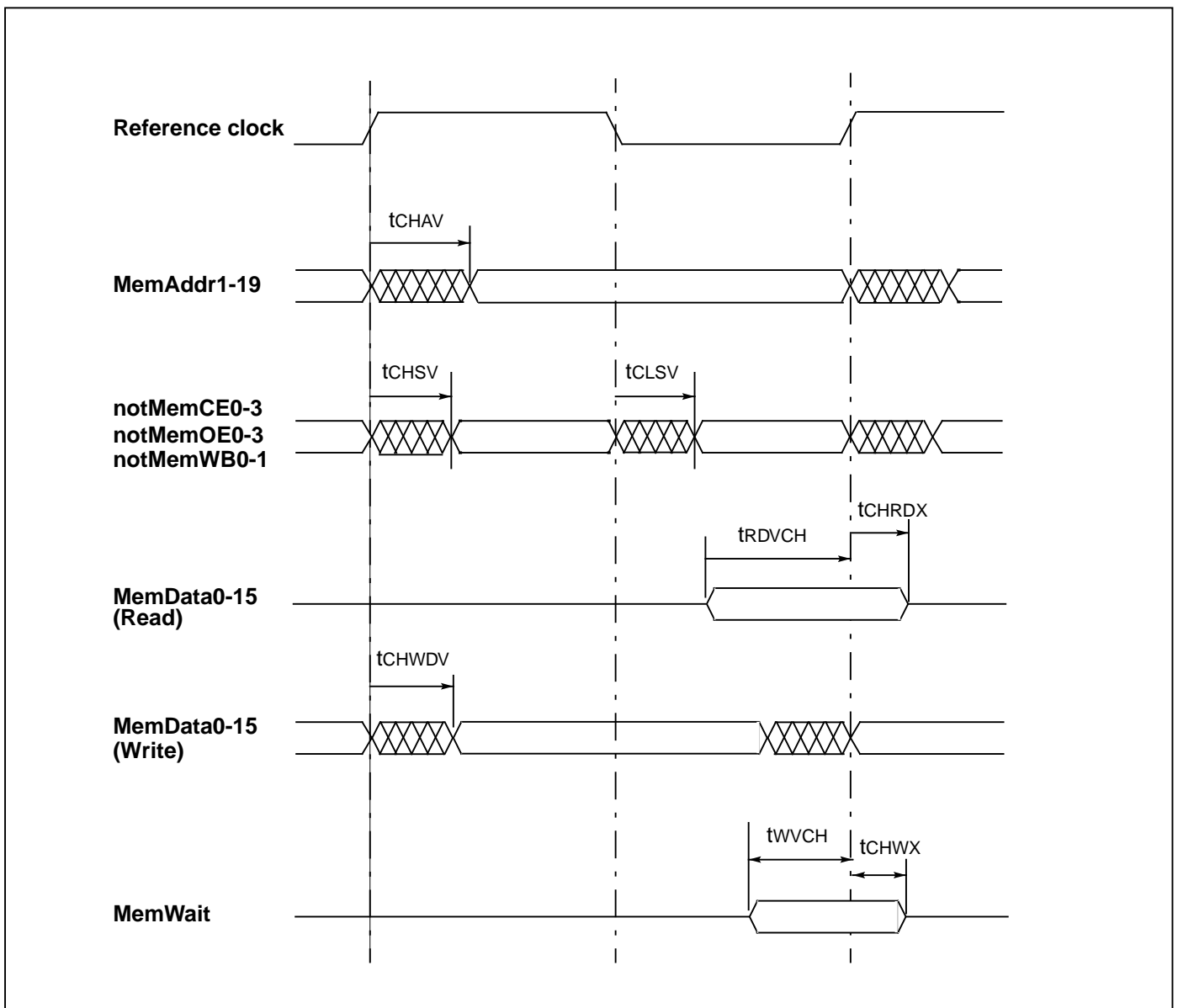


Figure 19.1 EMI timings

19.2 Link timings

Symbol	Parameter	Min	Nom	Max	Units	Notes
tJQr	LinkOut rise time			20	ns	
tJQf	LinkOut fall time			10	ns	
tJDr	LinkIn rise time			20	ns	
tJDf	LinkIn fall time			20	ns	
tJQJD	Buffered edge delay	0			ns	
ΔtJB	Variation in tJQJD	20 Mbits/s		3	ns	1
		10 Mbits/s		10	ns	1
		5 Mbits/s		30	ns	1
CLIZ	LinkIn capacitance @ f=1MHz			10	pF	
CLL	LinkOut load capacitance			50	pF	

Notes

- 1 This is the variation in the total delay through buffers, transmission lines, differential receivers etc., caused by such things as short term variation in supply voltages and differences in delays for rising and falling edges.

Table 19.2 Link timings

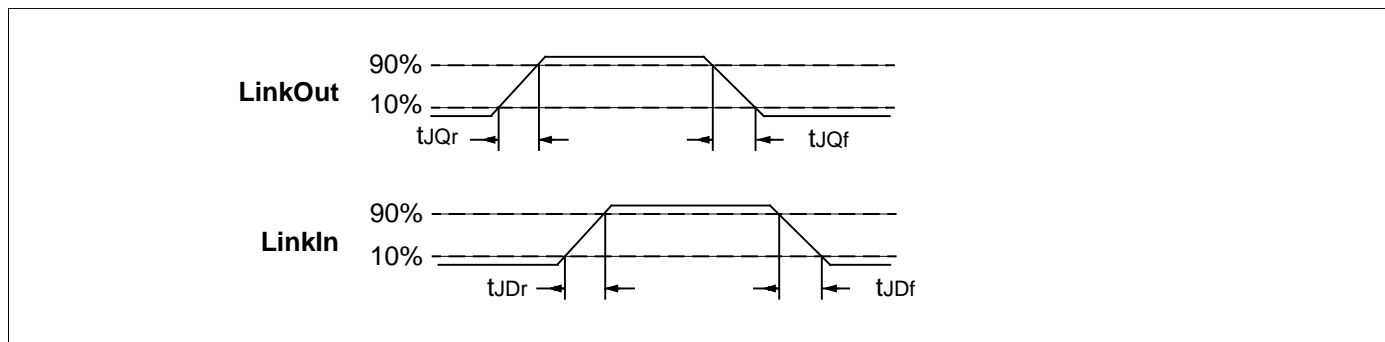


Figure 19.2 Link timings

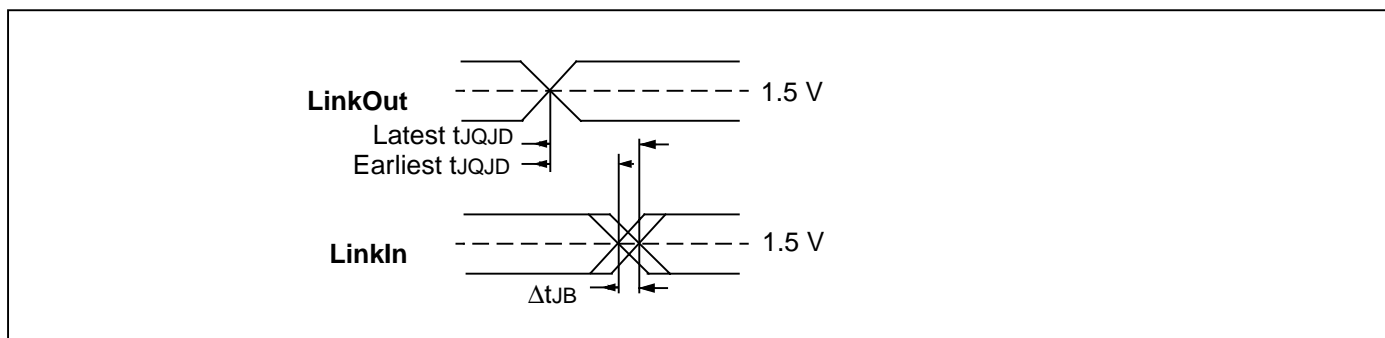


Figure 19.3 Buffered Link timings

19.3 Reset and Analyse timings

Symbol	Parameter	Min	Nom	Max	Units	Notes
tRHRH	notRST pulse width low	8			ClockIn	
tRHRH	CPUReset pulse width high	1			ClockIn	
tAHRH	CPUAnalyse setup before CPUReset	3			ms	
tRLAL	CPUAnalyse hold after CPUReset end	1			ClockIn	

Table 19.3 Reset and Analyse timings

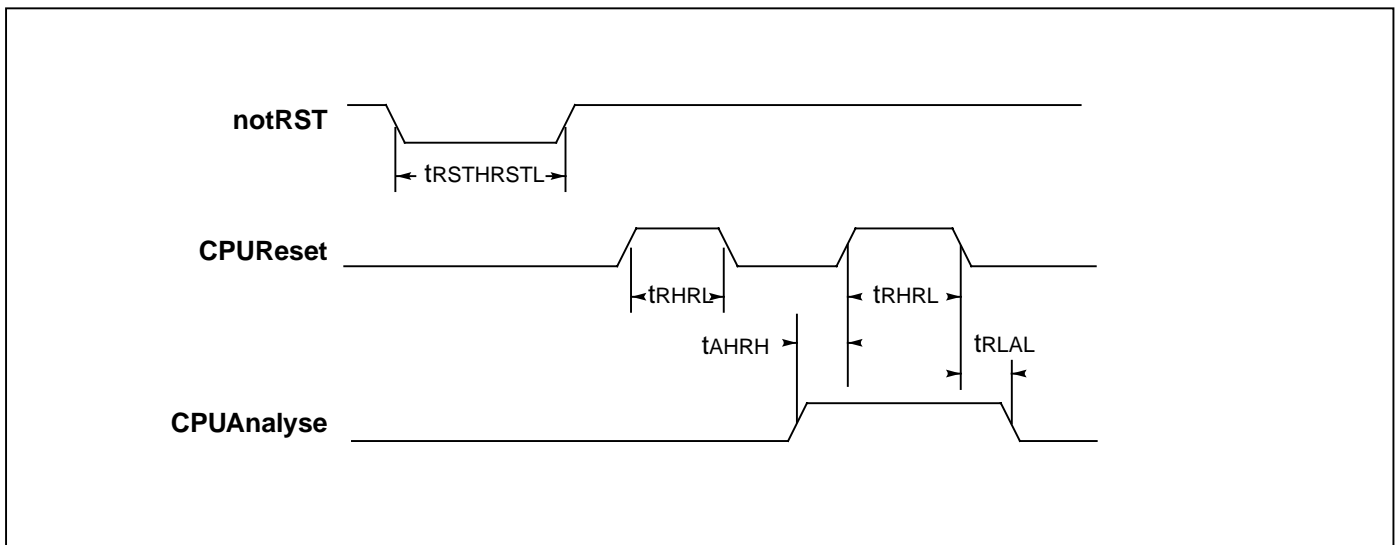


Figure 19.4 Reset and Analyse timings

19.4 ClockIn timings

Symbol	Parameter	Min	Nom	Max	Units	Notes
tDCLDCH	ClockIn pulse width low for PLL operation	18		42.5	ns	
tDCHDCL	ClockIn pulse width high for PLL operation	18		42.5	ns	
tDCr	ClockIn rise time for PLL operation			20	ns	3
tDCf	ClockIn fall time for PLL operation			20	ns	3
tGDVCH	GPSIF valid before clock rising edge	20			ns	
tCHGDX	GPSIF valid after clock rising edge	0			ns	

Notes

- 1 Measured between corresponding points on consecutive falling edges.
- 2 Variation of individual falling edges from their nominal times.
- 3 Clock transitions must be monotonic within the range V_{IH} to V_{IL} (see Electrical Specifications).

Table 19.4 **ClockIn** timings

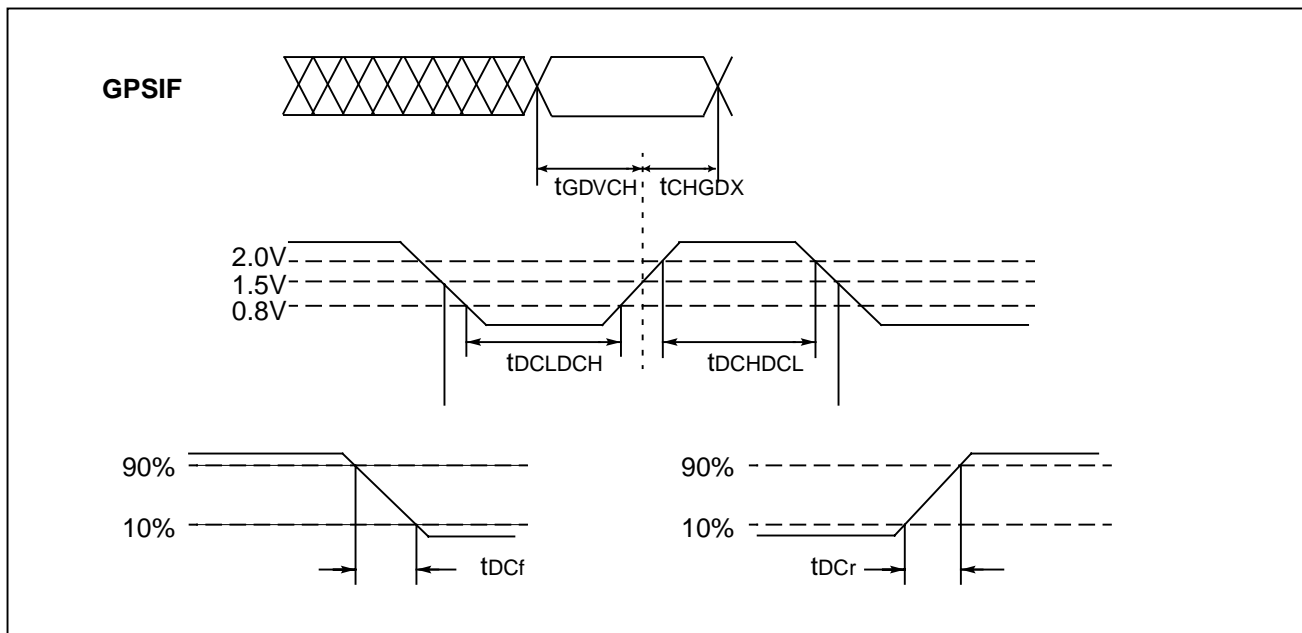


Figure 19.5 **ClockIn** timings

19.4.1 ClockIn frequency

Nominal **ClockIn** frequency is 16.36800 Mhz ± 50 ppm tolerance. This tolerance relates to the GPS system requirements and not for the device to function.

19.5 Parallel port timings

19.5.1 Dreq/Dack protocol

In this mode the two control pins **PlinknotReq** (Dreq) and **PlinknotAck** (Dack) are active low. The initial (inactive) state of the two control wires is high.

	Symbol	Parameter	Min	Max	Units
PLink is output	tPALPDV	PlinknotAck falling transition to PlinkData valid		100	ns
	tPAHDOX	PlinkData hold time after rising edge of PlinknotAck	10		ns
	tPAHDOZ	PlinkData output tristate time from PlinknotAck rising edge		90	ns
PLink is input	tPAHDIX	PlinkData hold after PlinknotAck rising edge	0		ns
	tPALDIV	PlinkData valid after PlinknotAck falling edge		20	ns
PLink is input or output	tPAHPRL	PlinknotAck rising edge to succeeding PlinknotReq falling edge	0		ns
	tPALPAH	PlinknotAck low time	55	340	ns
	tPRLPAL	Time between the input PlinknotReq falling and the output PlinknotAck falling	25	see note 1	ns

Table 19.5 Timings for Dreq/Dack protocol

Notes:

- 1 This will be a maximum of 200 ns if the port is already programmed either to accept another byte or to write another byte and the port has the data available. In the extreme case for a PLink output this value could be very large if the link has to wait for other external accesses to complete before it can read the data to write out through the PLink.

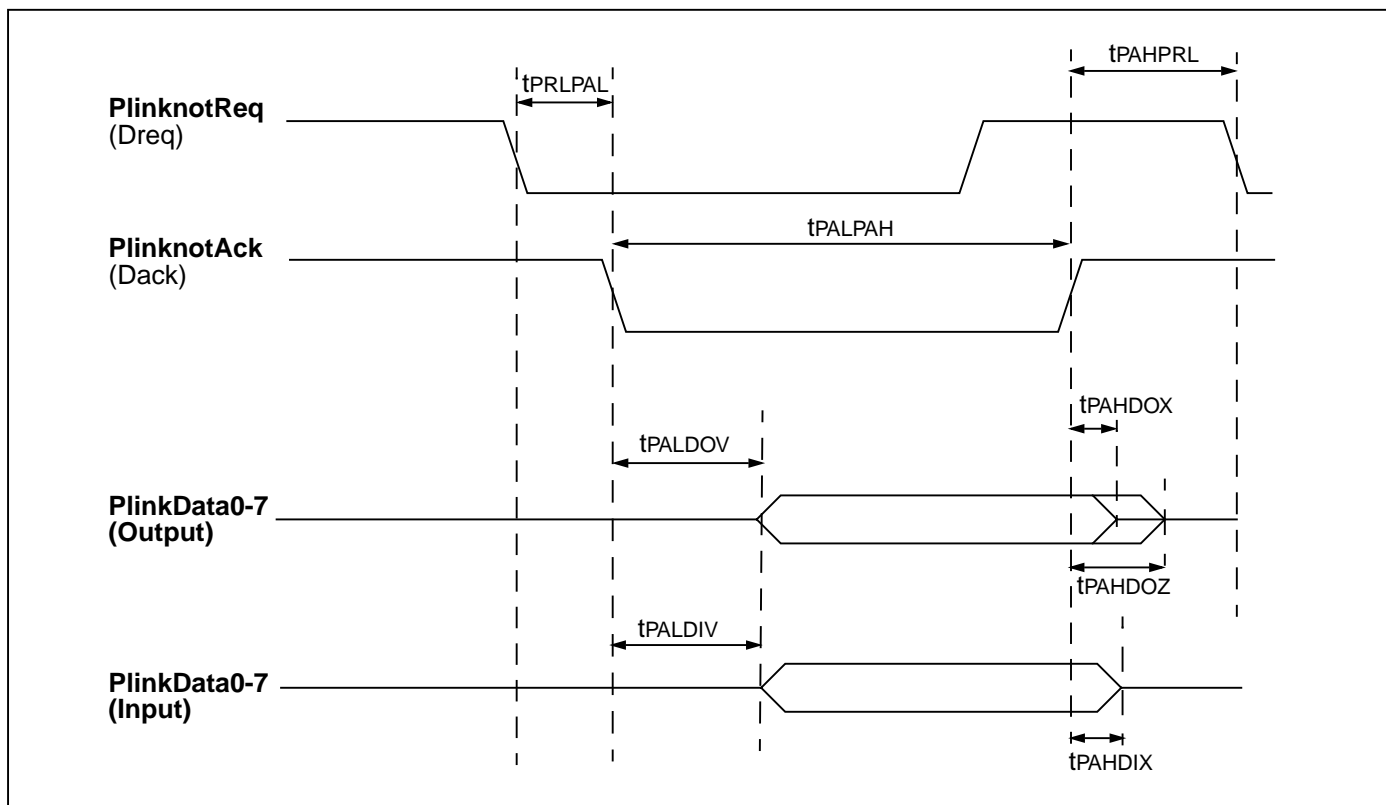


Figure 19.6 Byte-wide parallel port timings when using the Dreq/Dack protocol

19.5.2 Valid/Ack protocol

In this mode the two control pins **PlinknotReq** (Qack/Ivalid) and **PlinknotAck** (Qvalid/lack) are active high. The initial (inactive) state of the two control wires is low.

	Symbol	Parameter	Min	Max	Units
PLink is output	tPAHPRH	PlinknotAck rising transition to PlinknotReq rising	0		ns
	tDOVPAH	PlinkData0-7 setup time before rising edge of PlinknotAck	0		ns
	tPRHPAL	PlinknotReq rising edge to PlinknotAck falling edge	0		ns
	tPALPRL	PlinknotReq falling edge after PlinknotAck falling edge	0		ns
	tPRLDOX	PlinkData0-7 hold time after PlinknotReq falling edge (i.e. before new data may be put onto bus)	0		ns
PLink is input	tDIVPRH	PlinkData setup time before PlinknotReq rising edge	0		ns
	tPAHDIX	PlinkData hold after PlinknotAck rising edge	0		ns
	tPAHPRL	PlinknotReq falling edge after PlinknotAck rising edge	0		ns
	tPRLPAH	PlinknotReq falling edge to PlinknotAck rising edge	0		ns
	tPRLPAL	PlinknotAck falling edge after PlinknotReq falling edge	40	300	ns
	tPALPRH	PlinknotReq rising edge after PlinknotAck falling edge	0		ns

Table 19.6 Timings for Valid/Ack protocol

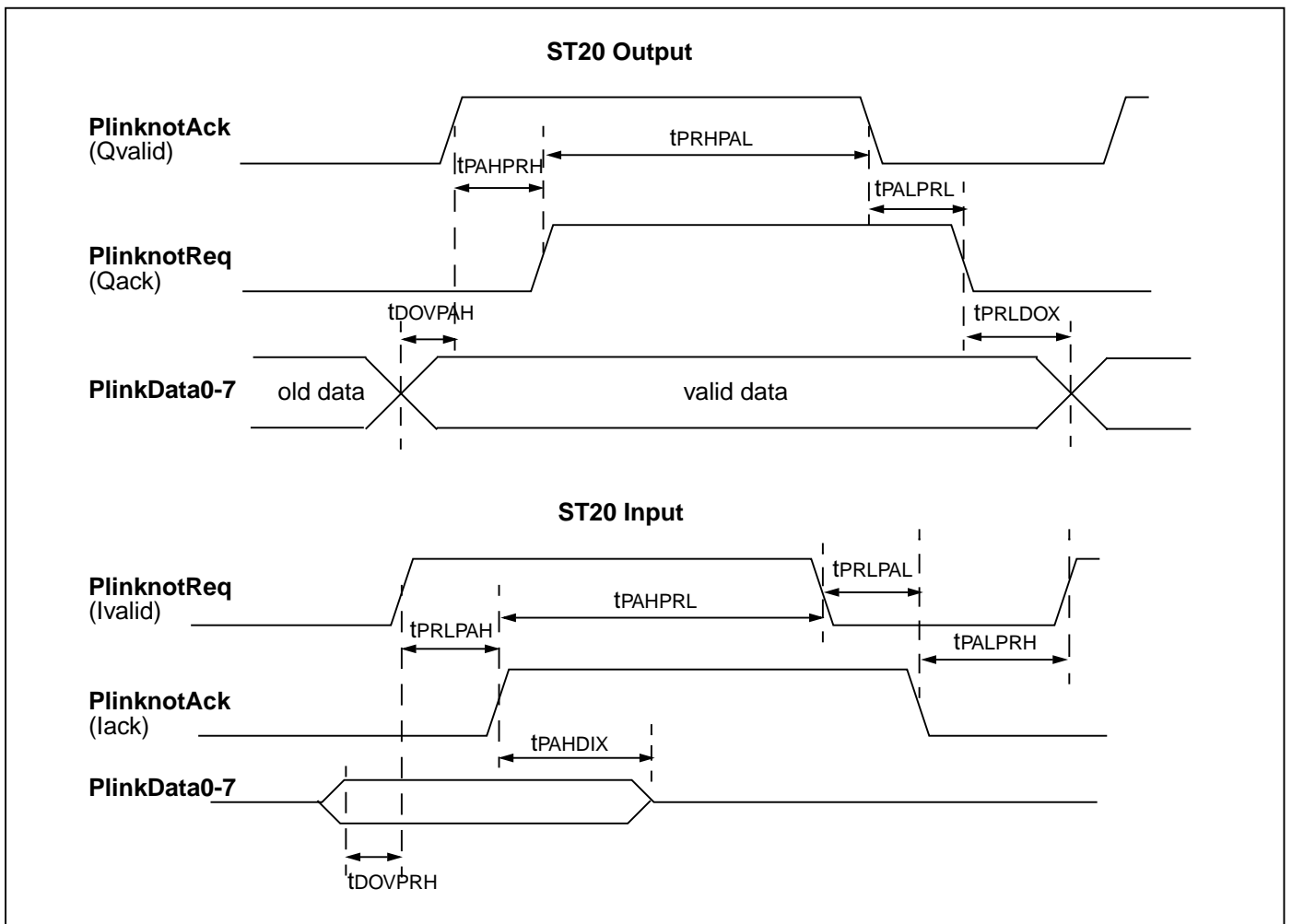


Figure 19.7 Byte-wide parallel port timings when using the Valid/Ack protocol

19.5.3 Direct DMA protocol

In this mode **PlinknotAck** is active high. The initial (inactive) state of the pin is low.

	Symbol	Parameter	16.4 Mhz		32.7 Mhz		Units
			Min	Max	Min	Max	
Plink is output	tPALDOX	PlinkData hold after PlinknotAck falling edge	330		160		ns
	tDOVPAL	PlinkData valid to PlinknotAck falling transition	100		40		ns
Plink is input	tPALDIX	PlinkData hold after PlinknotAck falling edge	0		0		ns
	tDIVPAL	PlinkData valid to PlinknotAck falling transition	100		70		ns
Plink is input or output	tPAHPAL	PlinknotAck high time	220	270	100	140	ns
	tPALPAH	PlinknotAck low time	220	270	100	140	ns

Table 19.7 Timings for Direct mode

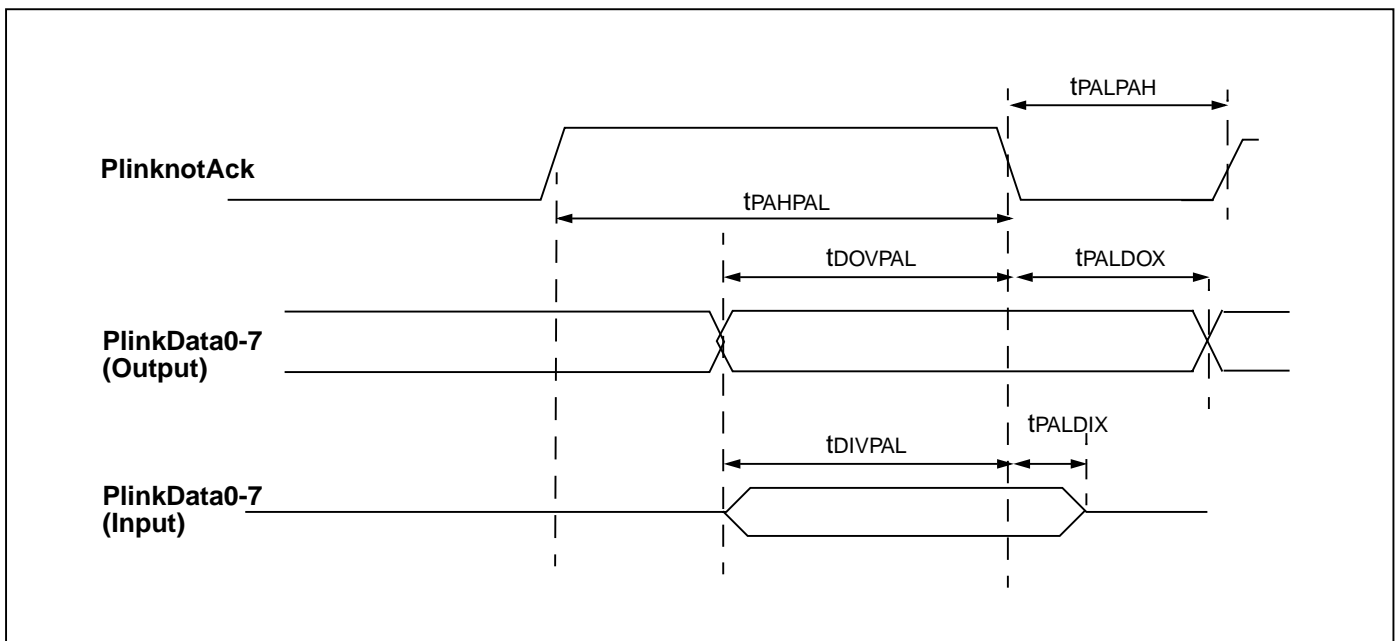


Figure 19.8 Byte-wide parallel port timings when using the Direct DMA protocol

20 Pin list

Signals names are prefixed by **not** if they are active low, otherwise they are active high.

Supplies

Pin	In/Out	Function
VDD		Power supply
GND		Ground

Table 20.1 ST20-GP1 supply pins

Clocks

Pin	In/Out	Function
LowPowerClockIn	in	Low power input clock
LowPowerClockOsc	in/out	Low power clock oscillator
LowPowerStatus	out	Low power status
notWdReset	out	Watchdog timer reset
RTCVDD	in	Real time clock supply

Table 20.2 ST20-GP1 low power controller and real time clock pins

System services

Pin	In/Out	Function
ClockIn	in	System input clock – PLL or TimesOneMode
SpeedSpeed0-1	in	Speed selectors
notRST	in	Reset
CPUReset	in	System reset
CPUAnalyse	in	Error analysis
ErrorOut	out	Error indicator

Table 20.3 ST20-GP1 system services pins

Links

Pin	In/Out	Function
LinkIn	in	Serial data input channel
LinkOut	out	Serial data output channel

Table 20.4 ST20-GP1 link pins

Interrupts

Pin	In/Out	Function
Interrupt0-1	in	Interrupts

Table 20.5 ST20-GP1 interrupt pins

Memory

Pin	In/Out	Function
MemAddr1-19	out	Address bus
MemData0-15	in/out	Data bus. Data0 is the least significant bit (LSB) and Data15 is the most significant bit (MSB).
MemWait	in	Memory cycle extender
notMemOE0-3	out	Output enable strobes – one per bank
notMemCE0-3	out	Chip enable strobes – one per bank
notMemWB0-1	out	Used as write strobe, or MemAddr0 on 8-bit bus.
BootSource0-1	in	Boot from ROM or from link

Table 20.6 ST20-GP1 memory pins

UART

Pin	In/Out	Function
TXD0-1	out	UART serial data output
RXD0-1	in	UART serial data input

Table 20.7 ST20-GP1 UART pins

Parallel IO

Pin	In/Out	Function
PIO0-5	in/out	PIO

Table 20.8 ST20-GP1 parallel IO pins

Byte wide parallel port

Pin	In/Out	Function
PlinkData0-7	in/out	Bidirectional data bus
PlinknotReq	in	Data transfer request
PlinknotAck	out	Data transfer acknowledge
PlinkOut	out	Controls external buffers. When high signals the PLink is outputting.

Table 20.9 ST20-GP1 byte wide parallel port pins

Application specific

Pin	In/Out	Function
GPSIF	in	GPS IF input

Table 20.10 ST20-GP1 application specific pins

Miscellaneous

Pin	In/Out	Function
ConnectToGND		Must be connected to GND

Table 20.11 ST20-GP1 miscellaneous pins

21 Package specifications

The ST20-GP1 is available in a 100 pin plastic quad flat pack (PQFP) package.

21.1 ST20-GP1 package pinout

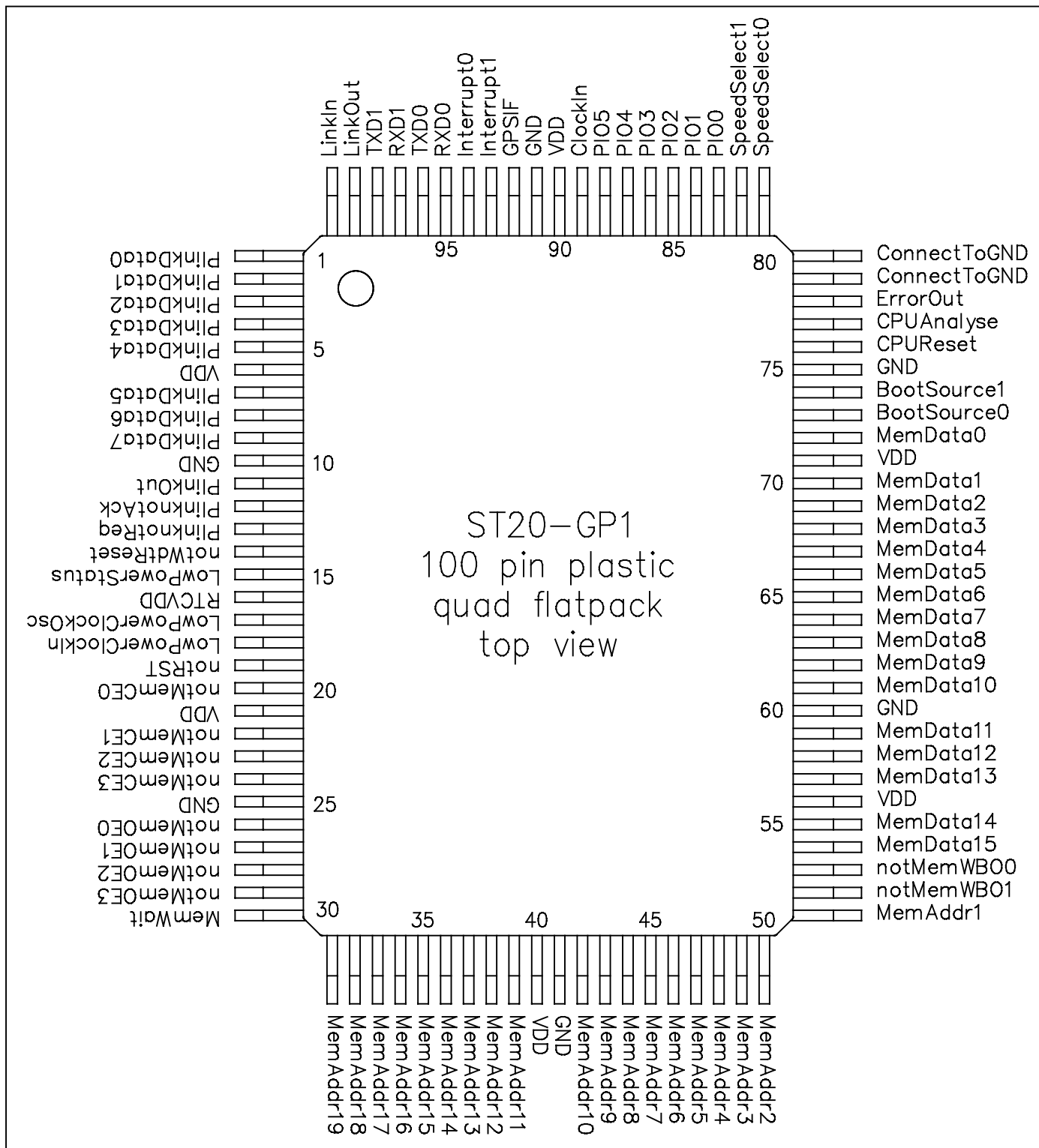


Figure 21.1 ST20-GP1 100 pin PQFP package pinout

21.2 100 pin PQFP package dimensions

REF.	CONTROL DIM. mm			ALTERNATIVE DIM. INCHES			NOTES
	MIN			MIN			
A	-	-	3.400	-	-	0.134	
A1	0.100	-	-	0.004	-	-	
A2	2.540	2.800	3.050	0.096	0.110	0.120	
B	0.220	-	0.380	0.009	-	0.015	
C	0.130	-	0.230	0.005	-	0.009	
D	22.950	-	24.150	0.904	-	0.951	
D1	19.900	20.000	20.100	0.783	0.787	0.791	
D3	-	18.850	-	-	0.742	-	REF
E	16.950	-	18.150	0.667	-	0.715	
E1	13.900	14.000	14.100	0.547	0.551	0.555	
E3	-	12.350	-	-	0.486	-	REF
e	-	0.650	-	-	0.026	-	BSC
G	-	-	0.100	-	-	0.004	
K	0°	-	7°	0°	-	7°	
L	0.650	0.800	0.950	0.026	0.031	0.037	
Zd	-	0.580	-	-	0.23	-	REF
Ze	-	0.830	-	-	0.033	-	REF

Notes

- 1 Lead finish to be 60 Sn/40 Pb solder plate.
- 2 Maximum lead displacement from the notional centre line will be no greater than ± 0.125 mm.

Table 21.1 100 pin PQFP package dimensions

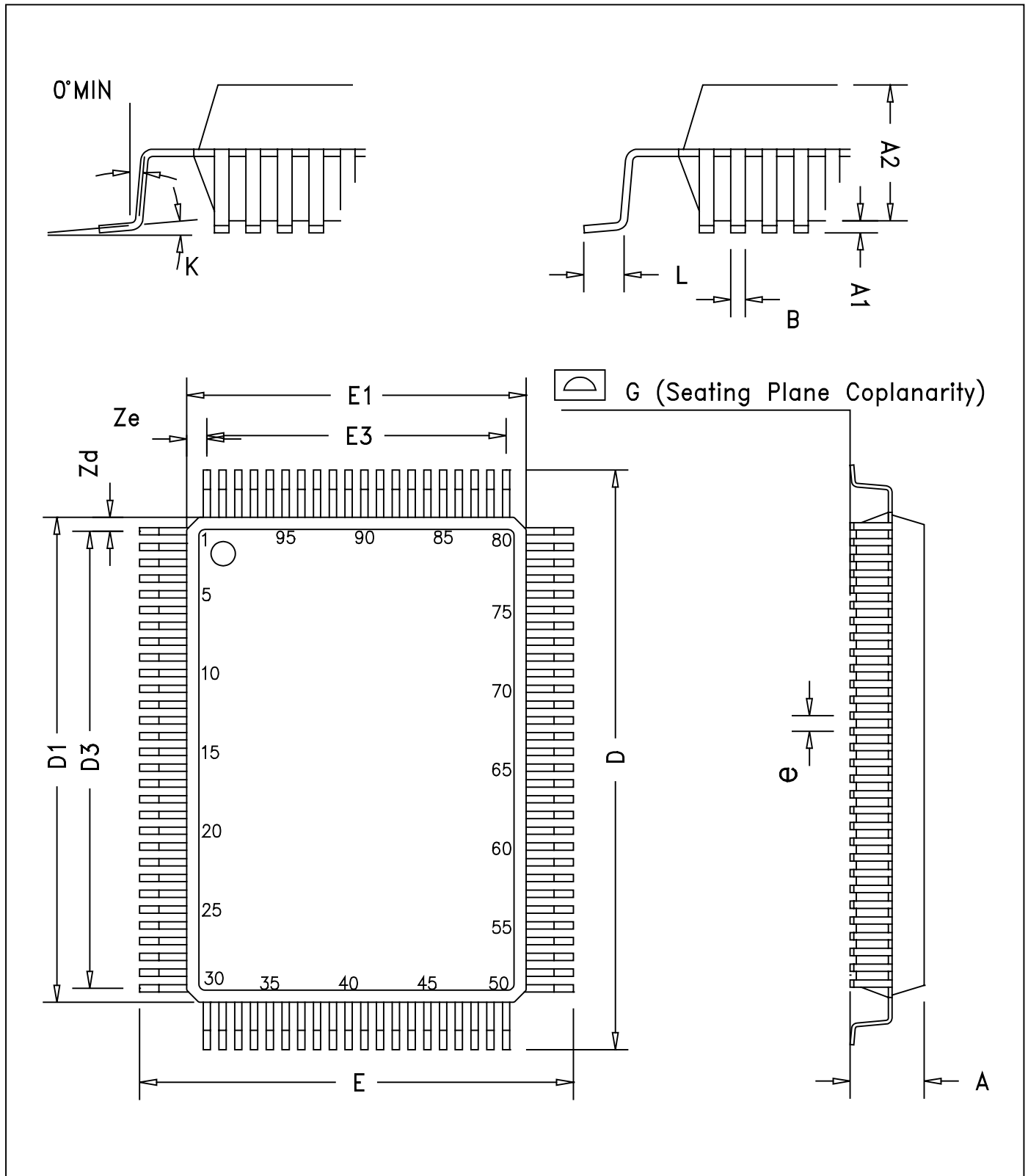


Figure 21.2 100 pin PQFP package dimensions

22 Device ID

The identification code for the ST20-GP1 is #*m*5191011, where *m* is a manufacturing revision number reserved by SGS-THOMSON. See Table 22.1.

bit 31															bit 0																					
Mask rev	a	ST20 family					Variant					SGS-THOMSON manufacturers id					b																			
<i>reserved</i>	0	1	0	1	0	0	0	1	1	0	0	1	0	0	0	1	0	0	0	0	0	0	1	0	0	0	1									
		5					1					9					1					0					1					1				

Table 22.1 Identification code

- a. 0 indicates SGS-THOMSON part, 1 indicates customer part.
- b. Defined as 1 in IEEE 1149.1 standard.

The identification code is returned by the *IddevId* instruction, see Table 6.4.

23 Ordering information


Device	Package
ST20GP1X33S	100 pin plastic quad flatpack (PQFP)

For further information contact your local SGS-THOMSON sales office.

Information furnished is believed to be accurate and reliable. However, SGS-THOMSON Microelectronics assumes no responsibility for the consequences of use of such information nor for any infringement of patents or other rights of third parties which may result from its use. No license is granted by implication or otherwise under any patent or patent rights of SGS-THOMSON Microelectronics. Specifications mentioned in this publication are subject to change without notice. This publication supersedes and replaces all information previously supplied. SGS-THOMSON Microelectronics products are not authorized for use as critical components in life support devices or systems without express written approval of SGS-THOMSON Microelectronics.

© 1996 SGS-THOMSON Microelectronics - All Rights Reserved

IMS and DS-Link are trademarks of SGS-THOMSON Microelectronics Limited.

 is a registered trademark of the SGS-THOMSON Microelectronics Group.

SGS-THOMSON Microelectronics GROUP OF COMPANIES

Australia - Brazil - Canada - China - France - Germany - Hong Kong - Italy - Japan - Korea - Malaysia - Malta - Morocco -
The Netherlands - Singapore - Spain - Sweden - Switzerland - Taiwan - Thailand - United Kingdom - U.S.A.

Copyright © Each Manufacturing Company.

All Datasheets cannot be modified without permission.

This datasheet has been download from :

www.AllDataSheet.com

100% Free DataSheet Search Site.

Free Download.

No Register.

Fast Search System.

www.AllDataSheet.com