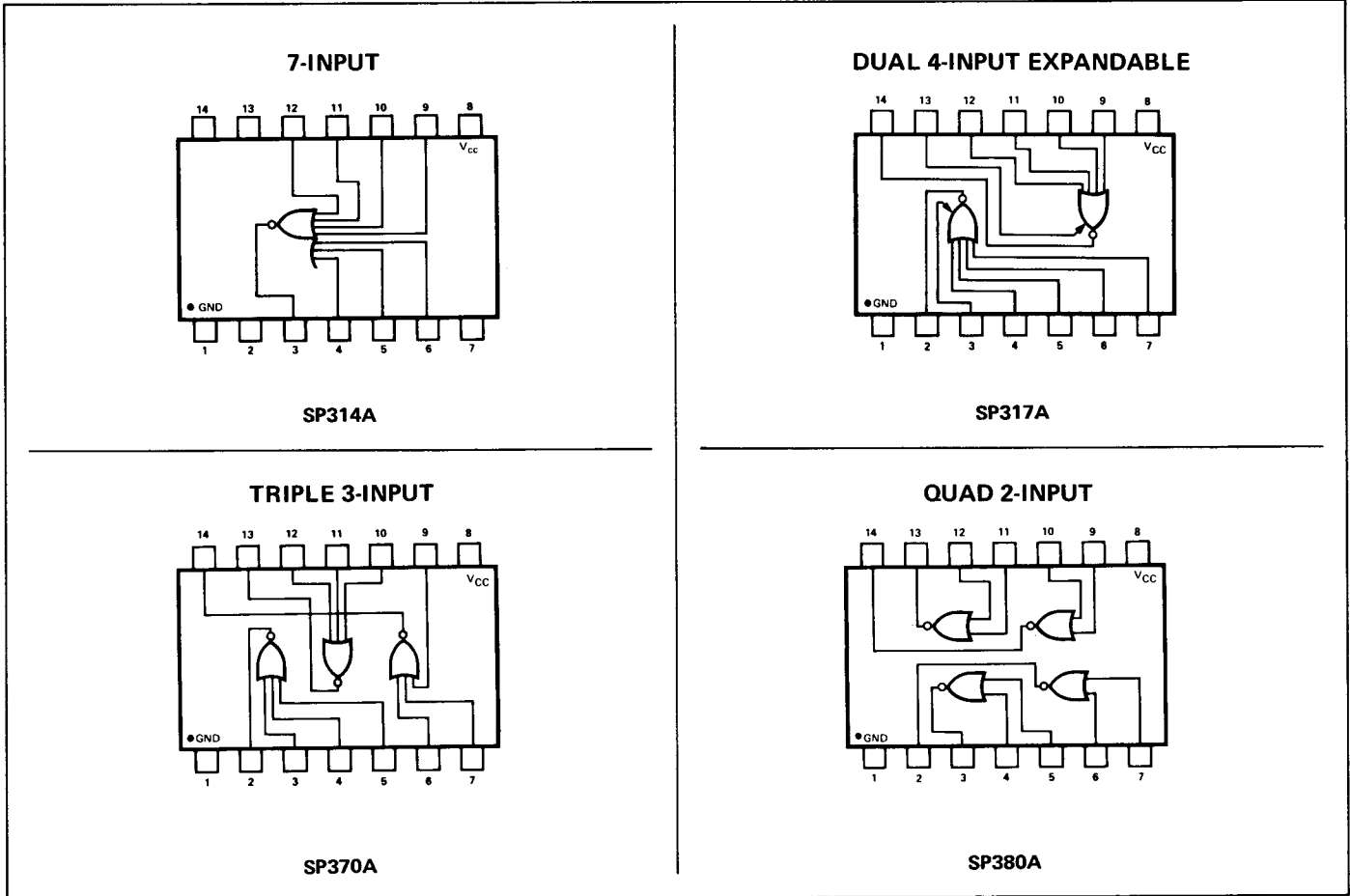


NOR GATES

- SP314A Single 7-Input
- SP317A Dual 4-Input Expandable
- SP370A Triple 3-Input
- SP380A Quad 2-Input

PIN CONFIGURATION



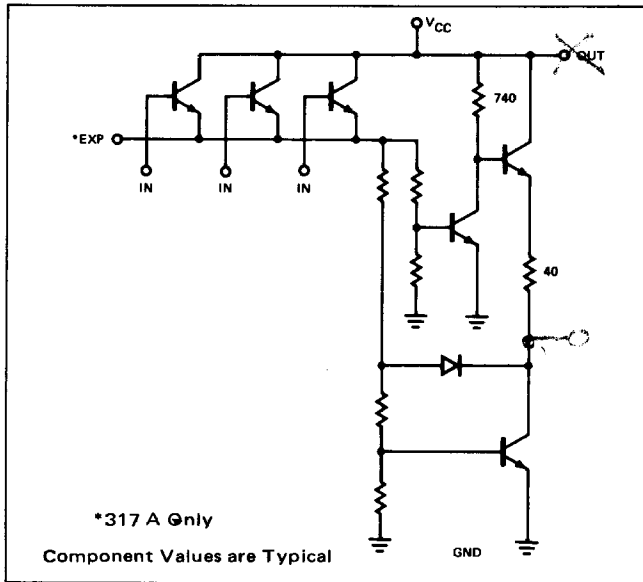
ELECTRICAL CHARACTERISTICS (Notes 1, 2, 3, 5 and 7)

Standard Conditions: $V_{CC} = 5.0V$, $T_A =$ Operating Temp. Range (Unless Noted)

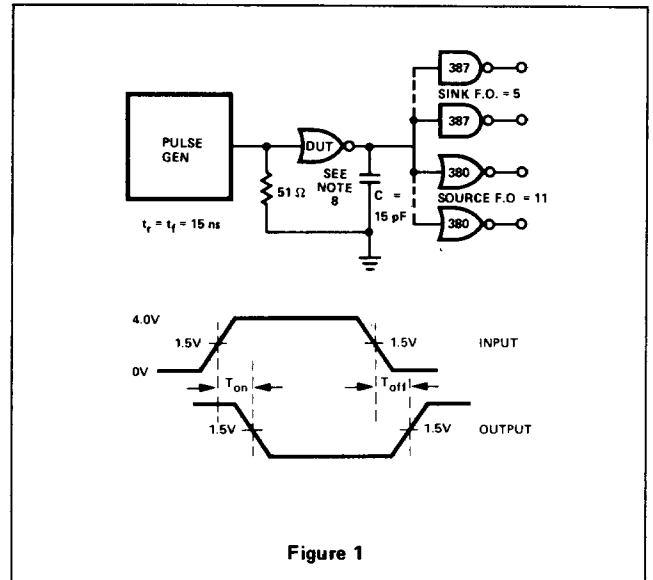
CHARACTERISTIC	TEST CONDITIONS	MIN.	TYP	MAX.	UNITS
Noise Immunity for "1" for "0"	See Note 6	1100 600	1700 1000		mV mV
Output Voltage "1" Level	$I_{out} = -2mA, V_{in} = 1.2V$	3.8			V
"0" Level	$I_{out} = 12.5mA, V_{in} = 2.7V$ $I_{out} = 7.5mA, V_{in} = 2.7V$			0.6 0.4	V V
Input Current - input high	$V_{in} = 2.7V$			180	μA
Power Supply Current output high	$V_{in} = 0V, T_A = 25^\circ C$			0.3	mA/gate
output low	$V_{in} = 4.0V, T_A = 25^\circ C$		13.4	18.1	mA/gate
Turn on Delay	See Test Figure 1, $T_A = 25^\circ C$		25	60	ns
Turn off Delay	See Test Figure 1, $T_A = 25^\circ C$		50	80	ns
Fan-Out -To sink loads (2.5mA/load) -To source loads (180 μA /load)				5 11	
Expander Voltage (317 only)	$V_{in} = 2.7V$	1.85			V

Typical Values are for $T_A = 25^\circ C$. See Page 3 for Notes.

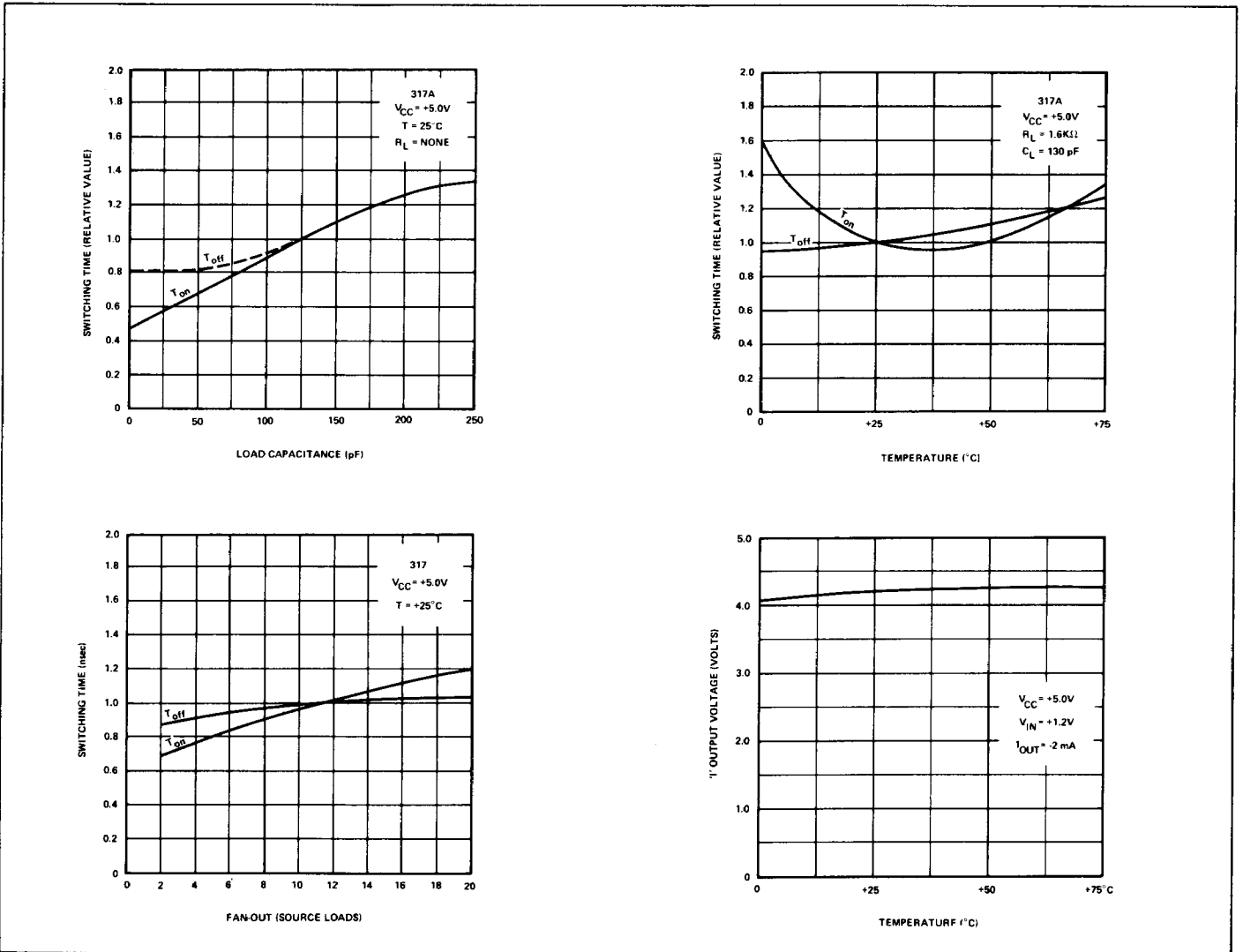
SCHEMATIC DIAGRAM



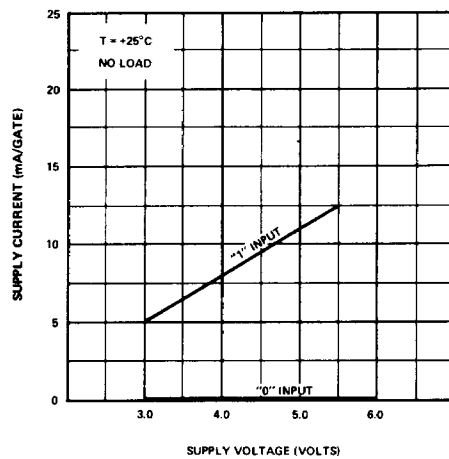
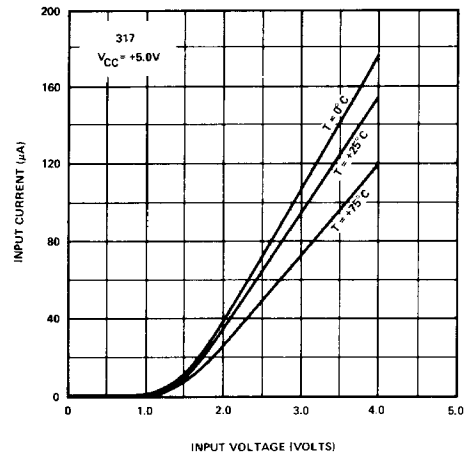
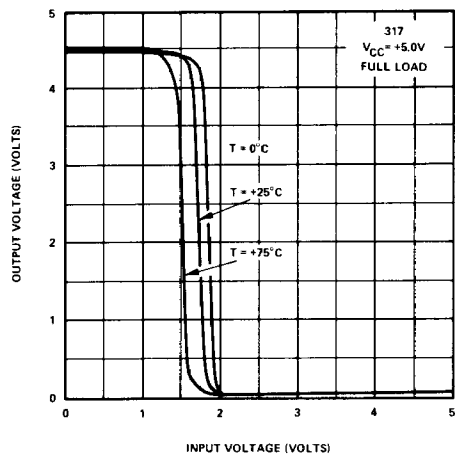
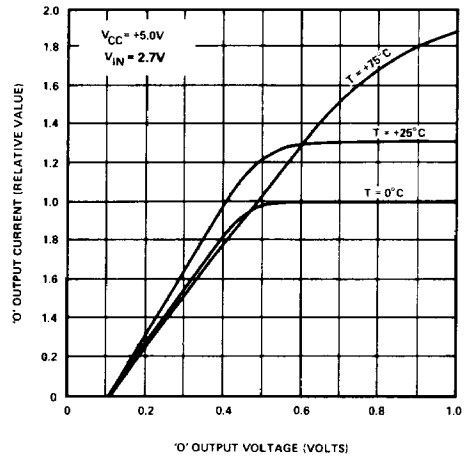
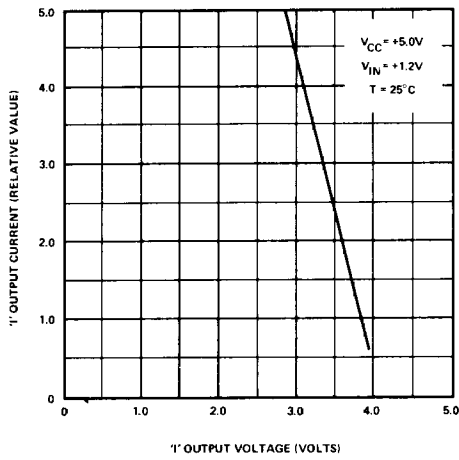
TEST CIRCUIT AND WAVEFORM



The following curves are normalized, when applicable, to the standard data sheet conditions.



The following curves are normalized, when applicable, to the standard data sheet conditions.



Copyright © Each Manufacturing Company.

All Datasheets cannot be modified without permission.

This datasheet has been download from :

www.AllDataSheet.com

100% Free DataSheet Search Site.

Free Download.

No Register.

Fast Search System.

www.AllDataSheet.com