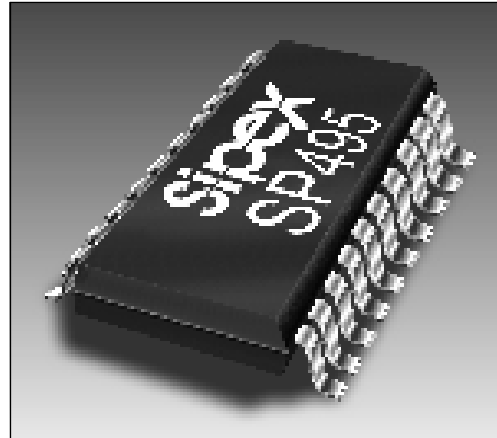


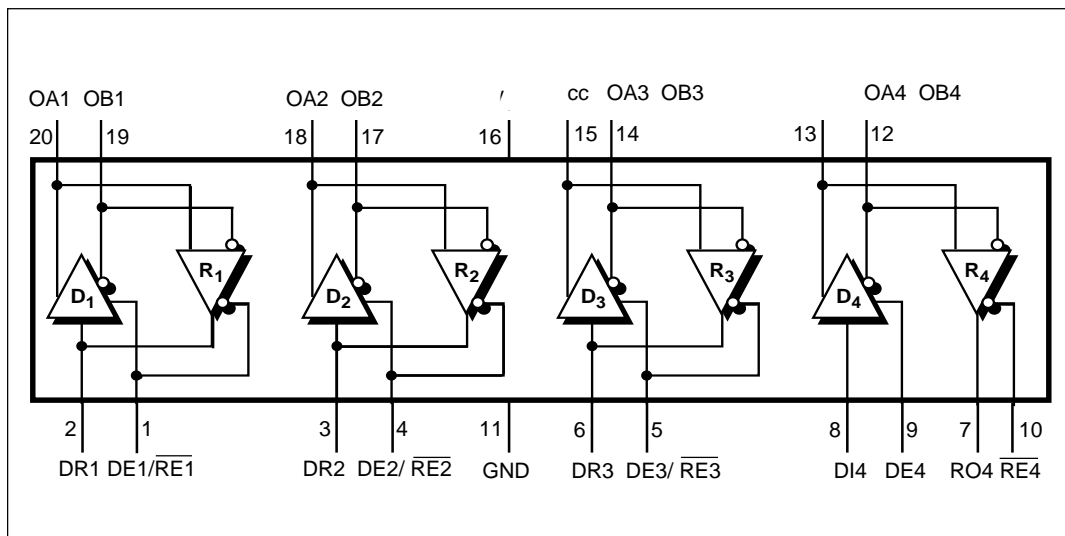
Quad Differential RS-485 Transceiver

- Pinout for SCSI Interface
- Meets EIA-485 Standard for Multipoint Bus Transmission
- +5V-Only Power Supply Required
- Receiver Fail-Safe Mode
- Low Power BiCMOS Technology
- Glitch-Free Power-Up/Down
- Available in 20-Pin Plastic SOIC
- Pin Compatible with DS36954



DESCRIPTION...

The **SP495** is a quad differential line driver/receiver meeting both RS-485 and RS-422 standards at data rates beyond 10Mbps. The **SP495** features three half-duplex transceivers suitable for data bus connections and a fourth full-duplex transceiver with independent driver, receiver enables. Ideal for use as a control bus transceiver. A complete SCSI initiator or target interface can be implemented using five **SP495s**. Propagation Delay Skew is tightly specified to aid in parallel interface designs. The **SP495** is available in a 20-pin plastic SOIC package for operation over the commercial and industrial temperature ranges. For PLCC availability, please consult factory.



ABSOLUTE MAXIMUM RATINGS

These are stress ratings only and functional operation of the device at these ratings or any other above those indicated in the operation sections of the specifications below is not implied. Exposure to absolute maximum rating conditions for extended periods of time may affect reliability.

V _{CC}	+7V
Input Voltages	
Logic.....	-0.5V to (V _{CC} +0.5V)
Drivers.....	-0.5V to (V _{CC} +0.5V)
Receivers.....	15V
Output Voltages	
Logic.....	-0.5V to (V _{CC} +0.5V)
Drivers.....	-8V to 12.5V
Receivers.....	-0.5V to (V _{CC} +0.5V)
Storage Temperature.....	-65°C to +150°C
Power Dissipation.....	1000mW

SPECIFICATIONS

T_{MIN} to T_{MAX} and V_{CC} = 5V ± 5% unless otherwise noted.

PARAMETERS	MIN.	TYP.	MAX.	UNITS	CONDITIONS
DRIVER					
DC Characteristics					
Differential Output Voltage	GND		V _{CC}	Volts	Unloaded; R = ∞ ; see Figure 1
Differential Output Voltage	2		V _{CC}	Volts	With Load; R = 50Ω; (RS-422); see Figure 1
Differential Output Voltage	1.5		V _{CC}	Volts	With Load; R = 27Ω; (RS-485); see Figure 1
Change in Magnitude of Driver Differential Output Voltage for					
Complimentary States Driver Common-Mode Output Voltage	0.2			Volts	R = 27Ω or R = 50Ω; see Figure 1
Input High Voltage	2.0		3	Volts	R = 27Ω or R = 50Ω; see Figure 1
Input Low Voltage			0.8	Volts	Applies to DRx, DEx/ REx
Input Current			±10	μA	Applies to DRx, DEx/ REx
Driver Short-Circuit Current					
V _{OUT} = HIGH			±250	mA	-7V ≤ V _O ≤ 10V
V _{OUT} = LOW			±250	mA	-7V ≤ V _O ≤ 10V
DRIVER					
AC Characteristics					
Maximum Driver Data Rate	10			Mbps	R _{DIFF} = 54Ω, C _{L1} = C _{L2} = 100pF
Driver Input to Output	20	30	60	ns	t _{PLH} ; R _{DIFF} = 54Ω, C _{L1} = C _{L2} = 100pF; see Figures 3 and 6
Driver Input to Output	20	30	60	ns	t _{PHL} ; R _{DIFF} = 54Ω, C _{L1} = C _{L2} = 100pF; see Figures 3 and 6
Driver Skew		10		ns	see Figures 3 and 6
Driver Rise or Fall Time	3	15	40	ns	From 10% to 90%; R _{DIFF} = 54Ω, C _{L1} = C _{L2} = 100pF; see Figures 3 and 6
Driver Enable to Output HIGH		40	70	ns	C _{L1} = C _{L2} = 100pF; see Figures 4 and 7; S ₂ closed
Driver Enable to Output LOW		40	70	ns	C _{L1} = C _{L2} = 100pF; see Figures 4 and 7; S ₁ closed
Driver Disable Time from LOW		40	70	ns	C _{L1} = C _{L2} = 15pF; see Figures 4 and 7; S ₁ closed
Driver Disable Time from HIGH		40	70	ns	C _{L1} = C _{L2} = 15pF; see Figures 4 and 7; S ₂ closed
RECEIVER					
DC Characteristics					
Differential Input Threshold	-0.2		+0.2	Volts	-7V ≤ V _{CM} ≤ 12V
Input Hysteresis		70		mV	V _{CM} = 0V
Output Voltage HIGH	3.5			Volts	I _O = -4mA, V _{ID} = +200mV

SPECIFICATIONS (continued)

T_{MIN} to T_{MAX} and $V_{CC} = 5V \pm 5\%$ unless otherwise noted.

PARAMETERS	MIN.	TYP.	MAX.	UNITS	CONDITIONS
RECEIVER					
DC Characteristics					
Output Voltage LOW			0.4	Volts	$I_O = +4mA, V_{ID} = -200mV$
Three State (high impedance)					
Output Current	12	± 0.5	10	μA	$0.4V \leq V_O \leq 2.4V; DEx/\overline{REx} = 5V$
Input Resistance		15		$k\Omega$	$-7V \leq V_{CM} \leq 12V$
Input Current (A, B); $V_{IN} = 12V$			± 1.0	mA	$DE = 0V, V_{CC} = 0V$ or $5.25V, V_{IN} = 12V$
Input Current (A, B); $V_{IN} = -7V$			-0.8	mA	$DE = 0V, V_{CC} = 0V$ or $5.25V, V_{IN} = -7V$
Short-Circuit Current			85	mA	$0V \leq V_O \leq V_{CC}$
RECEIVER					
AC Characteristics					
Maximum Data Rate	10			Mbps	$DEx/\overline{REx} = 0V$
Receiver Input to Output		60	200	ns	$t_{PLH}; R_{DIFF} = 54\Omega,$ $C_{L1} = C_{L2} = 100pF; Figures 3 \& 8$
Receiver Input to Output		60	200	ns	$t_{PHL}; R_{DIFF} = 54\Omega,$ $C_{L1} = C_{L2} = 100pF; Figures 3 \& 8$
Diff. Receiver Skew $I_{t_{PLH}} - I_{t_{PHL}}$		13		ns	$R_{DIFF} = 54\Omega; C_{L1} = C_{L2} = 100pF;$ <i>Figures 3 & 8</i>
Receiver Enable to Output LOW		45	70	ns	$C_{RL} = 15pF; Figures 2 \text{ and } 9; S_1 \text{ closed}$
Receiver Enable to Output HIGH		45	70	ns	$C_{RL} = 15pF; Figures 2 \text{ and } 9; S_2 \text{ closed}$
Receiver Disable from LOW		45	70	ns	$C_{RL} = 15pF; Figures 2 \text{ and } 9; S_1 \text{ closed}$
Receiver Disable from HIGH		45	70	ns	$C_{RL} = 15pF; Figures 2 \text{ and } 9; S_2 \text{ closed}$
POWER REQUIREMENTS					
Supply Voltage	+4.75		+5.25	Volts	$DEx/\overline{REx}, DRx = 0V$ or V_{CC}
Supply Current		2	5	mA	
ENVIRONMENTAL AND MECHANICAL					
Operating Temperature Commercial ($_C_$)	0		+70	$^{\circ}C$	
Operating Temperature Industrial ($_E_$)	-40		+85	$^{\circ}C$	
Storage Temperature	-65		+150	$^{\circ}C$	
Package					
Plastic LCC ($_L$)					

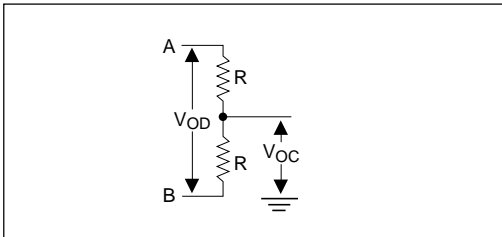


Figure 1. Driver DC Test Load Circuit

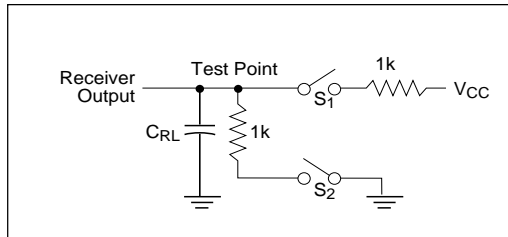


Figure 2. Receiver Timing Test Load Circuit

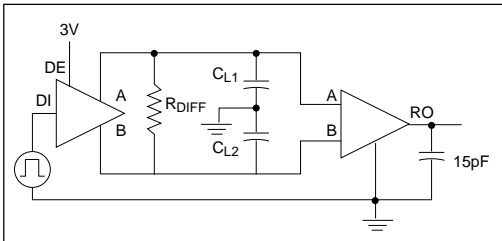


Figure 3. Driver/Receiver Timing Test Circuit

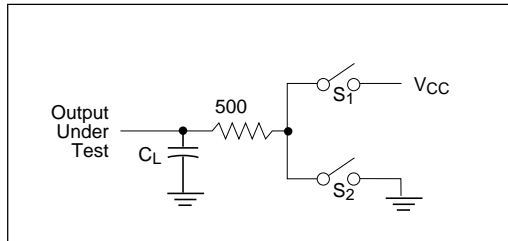


Figure 4. Driver Timing Test Load #2 Circuit

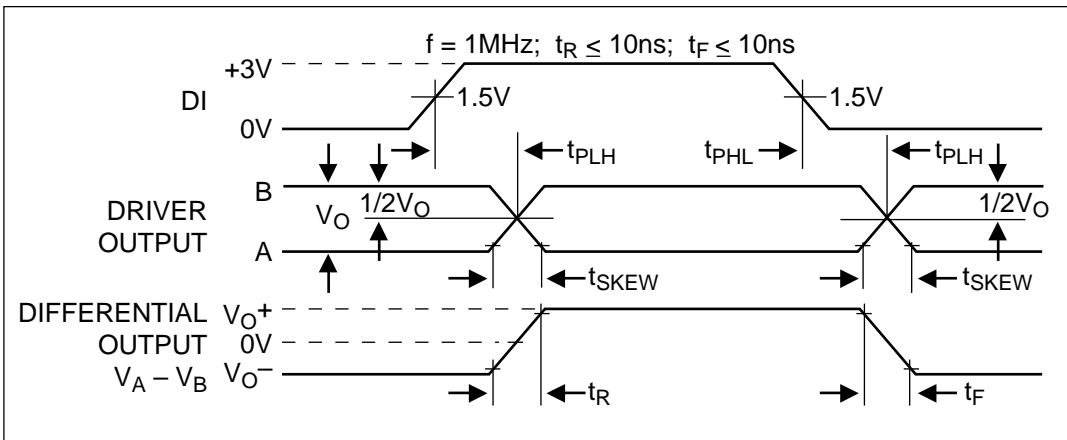


Figure 6. Driver Propagation Delays

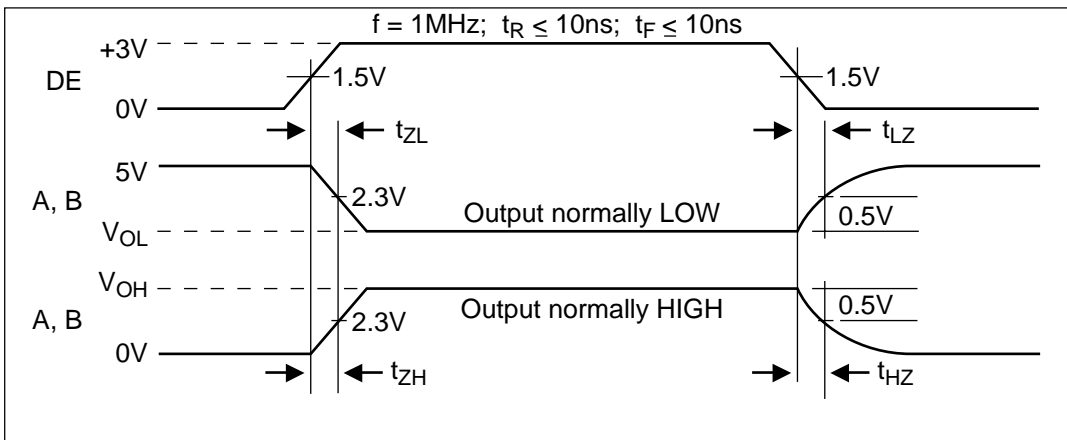


Figure 7. Driver Enable and Disable Times

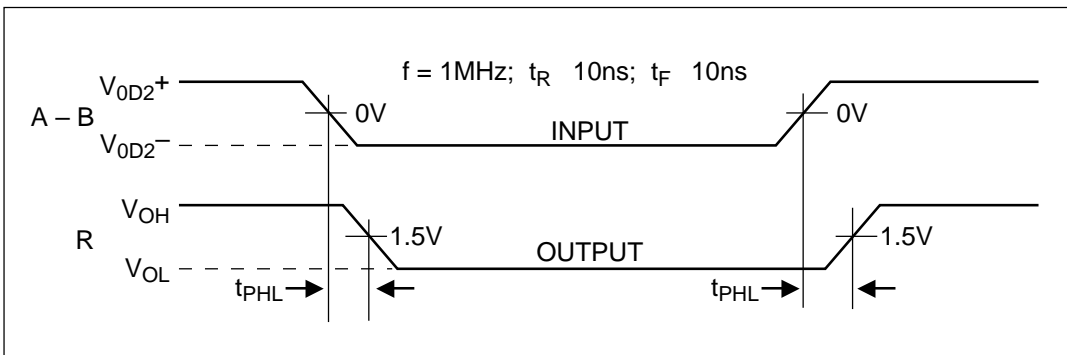


Figure 8. Receiver Propagation Delays

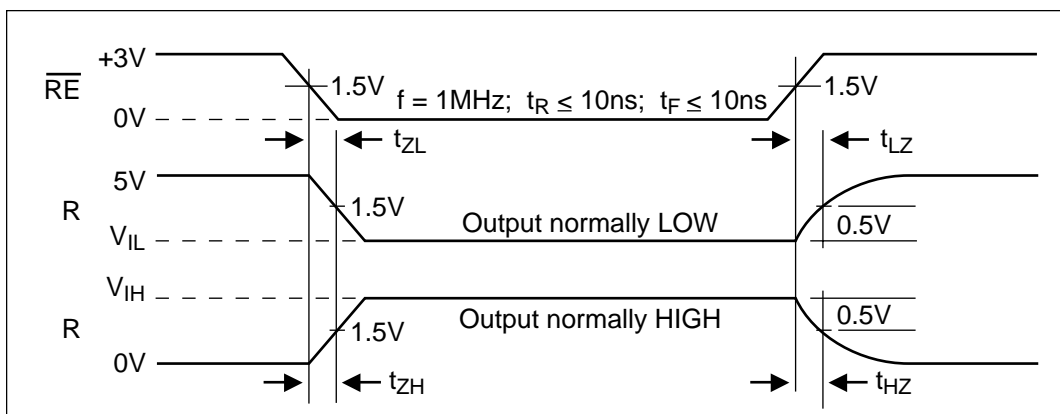


Figure 9. Receiver Enable and Disable Times

DESCRIPTION

General Description...

The **SP495** is a quad differential transceiver that meets the requirements of RS-485, RS-422, and differential SCSI at data rates to beyond 10Mbps. Fabricated with a proprietary Sipex BiCMOS process, the **SP495** requires only a fraction of the power of older bipolar designs.

The **SP495** features three half-duplex transceivers suitable for data bus connections and a fourth full-duplex transceiver with independent enables ideal for use as a control bus transceiver. A complete SCSI initiator or target interface can be implemented using five **SP495**s.

The RS-485 standard is ideal for multi-drop applications and for long-distance interfaces. RS-485 allows up to 32 drivers and 32 receivers to be connected to a single data bus, making it an ideal choice for multi-drop applications. Since the cabling can be as long as 4,000 feet, RS-485 transceivers are specified for operation with a wide (-7V to +12V) common mode range to accommodate ground potential differences. Because RS-485 is a low impedance differential interface, data is virtually immune to noise in the transmission line.

Drivers...

The differential drivers for the **SP495** have typical output voltage swings (no load) of 0 to +5Volts. With loading to the RS-485 specification (54Ω), drivers must maintain outputs greater than 1.5V.

The three half-duplex drivers of the **SP495** have independent Driver Enable control lines which are active HIGH. A logic HIGH on DEx (pins 1, 4, or 5 of the **SP495**) will enable the addressed differential driver output. A logic LOW on DEx will tri-state the driver output and enable the receiver. The fourth driver is controlled by its own DE4 Enable line and can be used in half-duplex or full-duplex modes.

Receivers...

The differential receivers for the **SP495** have an input sensitivity of ±200mV. Input impedance is typically 15kΩ (12kΩ minimum). A wide common mode range of -7V to +12V allows for large ground potential differences between widely separated systems. These receivers are equipped with a fail-safe feature which guarantees that the receiver output will be in a HIGH state when the input is left unconnected (note: this feature operates with floating inputs, not terminated inputs).

Like the half-duplex drivers, the three half-duplex receivers of the **SP495** have independent Receiver Enable control lines which are active LOW. A logic LOW on $\overline{\text{REx}}$ (pins 1, 4, or 5 of the **SP495**) enables the differential receivers. A logic HIGH on $\overline{\text{REx}}$ tri-states the receivers. The fourth receiver is controlled by its own RE4 Enable line and can be used in half-duplex or full-duplex modes.

ORDERING INFORMATION

Model	Temperature Range	Package
SP495CT.	0°C to +70°C	20-Pin SOIC
SP495ET	-40°C to +85°C	20-Pin SOIC

For PLCC availability, please consult factory.



SIGNAL PROCESSING EXCELLENCE

Sipex Corporation

Headquarters and Sales Office

22 Linnell Circle
Billerica, MA 01821
TEL: (978) 667-8700
FAX: (978) 670-9001
e-mail: sales@sipex.com

Sales Office

233 South Hillview Drive
Milpitas, CA 95035
TEL: (408) 934-7500
FAX: (408) 935-7600

Sipex Corporation reserves the right to make changes to any products described herein. Sipex does not assume any liability arising out of the application or use of any product or circuit described hereing; neither does it convey any license under its patent rights nor the rights of others.

This datasheet has been download from :

www.AllDataSheet.com

100% Free DataSheet Search Site.

Free Download.

No Register.

Fast Search System.

www.AllDataSheet.com