

THYRISTOR MODULE

66A / 1200 to 1600V

PAT3012 PAT3016

PAH3012 PAH3016

FEATURES

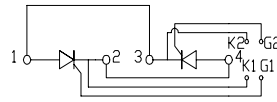
- * Isolated Base
- * Dual Thyristors or Thyristor and Diode Anti-Parallel Circuit
- * High Surge Capability
- * UL Recognized, File No. E187184

OUTLINE DRAWING

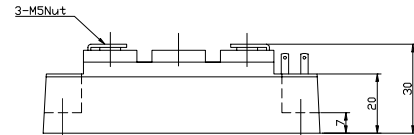
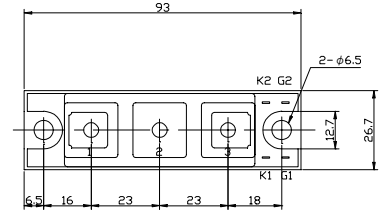
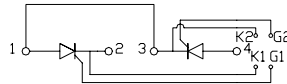
TYPICAL APPLICATIONS

- * AC phase control
- * AC switch

PAT



PAH



Maximum Ratings

Approx Net Weight:155g

Parameter	Symbol	Grade		Unit
		PAT/PAH3012	PAT/PAH3016	
Repetitive Peak Off-State Voltage	V _{DRM}	1200	1600	V
Non Repetitive Peak Off-State Voltage	V _{DSM}	1300	1700	V

Parameter	Symbol	Conditions	Max Rated Value	Unit
RMS On-State Current	I _{T(RMS)}	50Hz Half Sine Wave condition T _c =96°C	66	A
Surge On-State Current	I _{FSM}	50 Hz Half Sine Wave, 1Pulse Non-Repetitive	600	A
I Squared t	I ² t	2msec to 10msec	1800	A ² s
Critical Rate of Turned-On Current	di/dt	V _D =2/3V _{DRM} , I _{TM} =2·I _O , T _j =125°C I _G =200mA, di _G /dt=0.2A/μs	100	A/μs
Peak Gate Power	P _{GM}		5	W
Average Gate Power	P _{G(AV)}		1	W
Peak Gate Current	I _{GM}		2	A
Peak Gate Voltage	V _{GM}		10	V
Peak Gate Reverse Voltage	V _{RGM}		5	V
Operating Junction Temperature Range	T _{jw}		-40 to +125	°C
Storage Temperature Range	T _{stg}		-40 to +125	°C
Isolation Voltage	Viso	Base Plate to Terminals, AC1min	2500	V
Mounting torque	Case mounting	F _{tor}	M6 Screw	2.4 to 3.5
	Terminals		M5 Screw	2.4 to 2.8

Value per 1 Arm

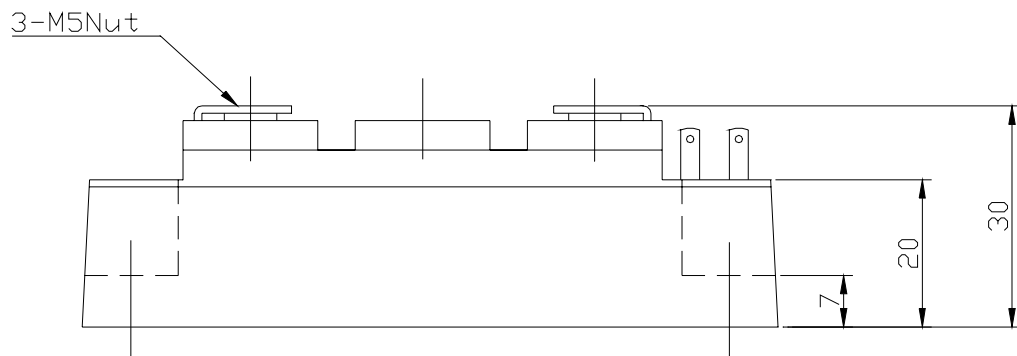
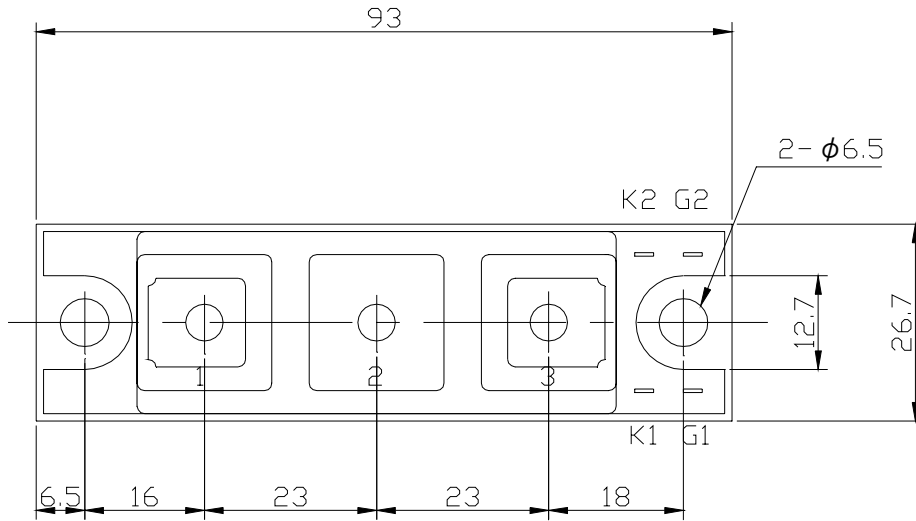
Electrical • Thermal Characteristics

Characteristics	Symbol	Test Conditions	Maximum Value.			Unit
			Min.	Typ.	Max.	
Peak Off-State Current	I_{DM}	$V_{DM} = V_{DRM}, T_j = 125^\circ\text{C}$			20	mA
Peak On-State Voltage	V_{TM}	$I_{TM} = 90\text{A}, T_j = 25^\circ\text{C}$			1.50	V
Gate Current to Trigger	I_{GT}	$V_D = 6\text{V}, I_T = 1\text{A}$	$T_j = -40^\circ\text{C}$		200	mA
			$T_j = 25^\circ\text{C}$		100	
			$T_j = 125^\circ\text{C}$		50	
Gate Voltage to Trigger	V_{GT}	$V_D = 6\text{V}, I_T = 1\text{A}$	$T_j = -40^\circ\text{C}$		4	V
			$T_j = 25^\circ\text{C}$		2.5	
			$T_j = 125^\circ\text{C}$		2	
Gate Non-Trigger Voltage	V_{GD}	$V_D = 2/3V_{DRM}, T_j = 125^\circ\text{C}$	0.25			V
Critical Rate of Rise of Off-State Voltage	dv/dt	$V_D = 2/3V_{DRM}, T_j = 125^\circ\text{C}$	500			V/ μs
Turn-Off Time	t_q	$I_{TM} = I_O, V_D = 2/3V_{DRM}$ $dv/dt = 20\text{V}/\mu\text{s}, V_R = 100\text{V}$ $-di/dt = 20\text{A}/\mu\text{s}, T_j = 125^\circ\text{C}$		100		μs
Turn-On Time	t_{gt}	$T_j = 25^\circ\text{C}, I_{TM} = I_{T(RMS)}$		6		μs
Delay Time	t_d	$V_D = 100\text{V}, I_G = 200\text{mA}$		2		μs
Rise Time	t_r	$di/dt = 0.2\text{A}/\mu\text{s}$		4		μs
Latching Current	I_L	$T_j = 25^\circ\text{C}$		100		mA
Holding Current	I_H	$T_j = 25^\circ\text{C}$		50		
Thermal Resistance *1	$R_{th(j-c)}$	Junction to Case			0.35	$^\circ\text{C}/\text{W}$
	$R_{th(c-f)}$	Base Plate to Heat Sink with Thermal Compound			0.1	

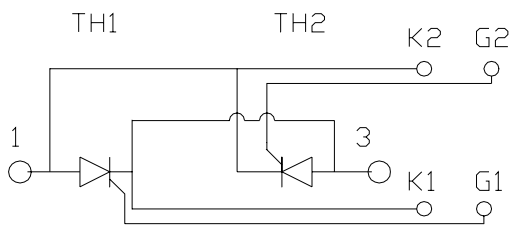
Value Per 1Arm

*1: Value Per Module

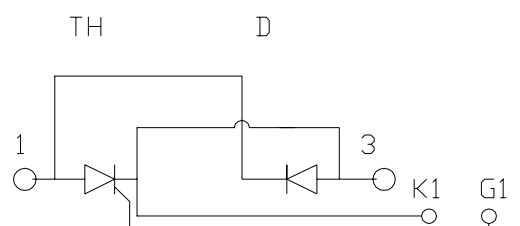
PAT/PAH301x OUTLINE DRAWING (Dimensions in mm)



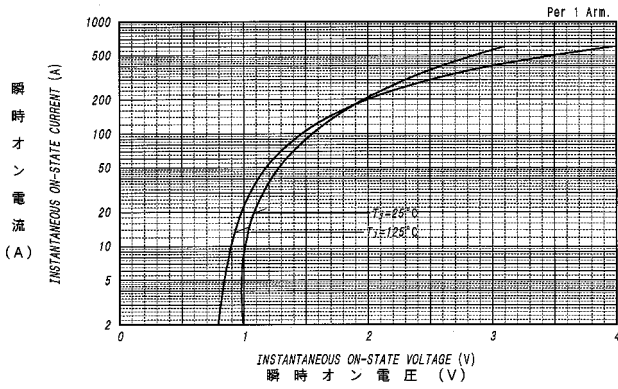
PAT



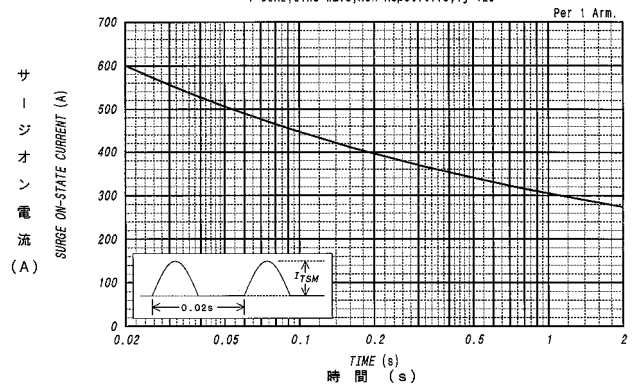
PAH



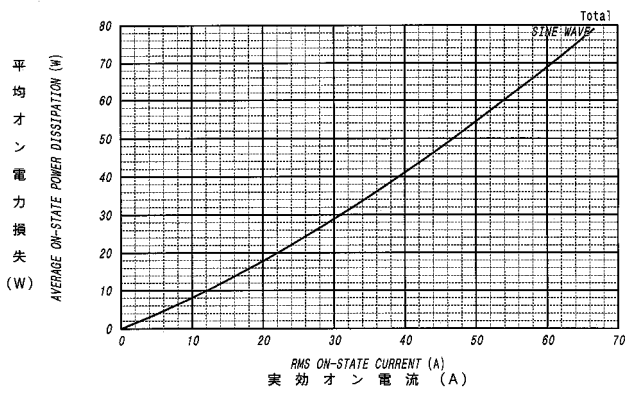
オン電圧特性
ON-STATE CURRENT VS. VOLTAGE



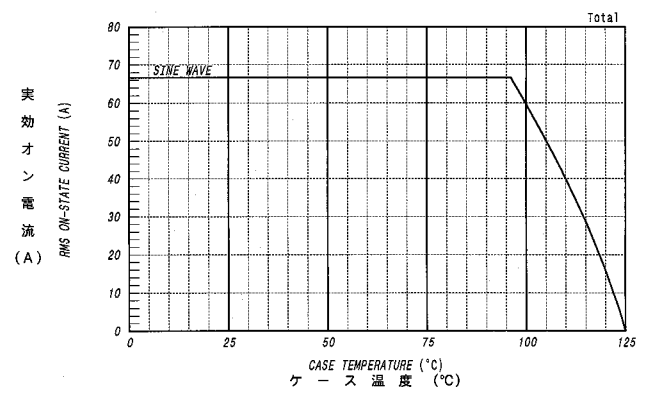
サージオン電流定格
SURGE CURRENT RATINGS



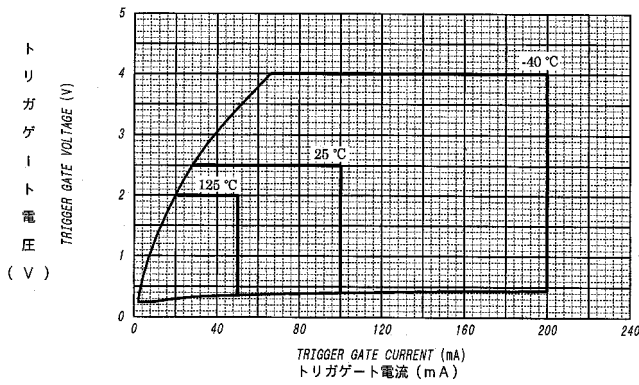
平均オン電力損失特性
AVERAGE ON-STATE POWER DISSIPATION



実効オン電流-ケース温度定格
RMS ON-STATE CURRENT VS. CASE TEMPERATURE



ゲート特性
GATE CHARACTERISTICS



ゲート定格
GATE RATINGS

