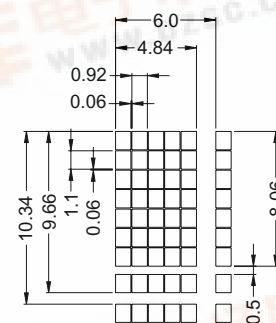
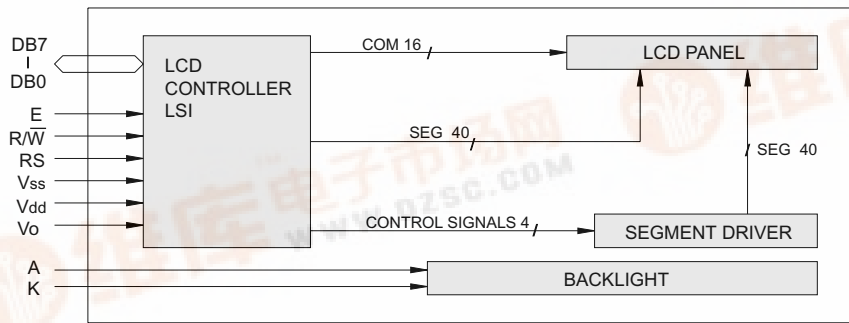
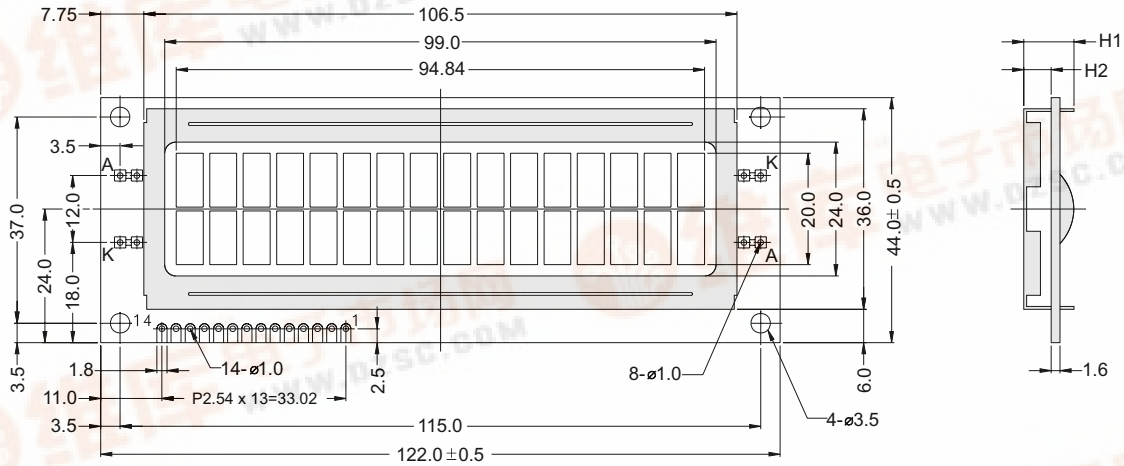


PC 1602-L



OUTLINE DIMENSION & BLOCK DIAGRAM



The tolerance unless classified $\pm 0.3\text{mm}$

MECHANICAL SPECIFICATION

Overall Size	122.0 x 44.0	Module	H2 / H1
View Area	99.0 x 24.0	W/O B/L	4.9 / 9.0
Dot Size	0.92 x 1.10	EL B/L	4.9 / 9.0
Dot Pitch	0.98 x 1.16	LED B/L	9.4 / 13.5

PIN ASSIGNMENT

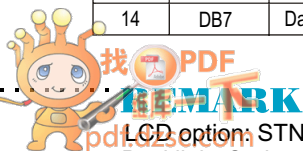
Pin no.	Symbol	Function
1	Vss	Power supply(GND)
2	Vdd	Power supply(+)
3	Vo	Contrast Adjust
4	RS	Register select signal
5	R/W	Data read / write
6	E	Enable signal
7	DB0	Data bus line
8	DB1	Data bus line
9	DB2	Data bus line
10	DB3	Data bus line
11	DB4	Data bus line
12	DB5	Data bus line
13	DB6	Data bus line
14	DB7	Data bus line

ABSOLUTE MAXIMUM RATING

Item	Symbol	Condition	Min.	Max.	Units
Supply for logic voltage	Vdd-Vss	25oC	-0.3	7	V
LCD driving supply voltage	Vdd-Vee	25oC	-0.3	13	V
Input voltage	Vin	25oC	-0.3	Vdd+0.3	V

ELECTRICAL CHARACTERISTICS

Item	Symbol	Condition	Min.	Typical	Max.	Units			
Power supply voltage	Vdd-Vss	25oC	2.7	-	5.5	V			
		Top	N	W	N	W	N	W	V
		-20oC	-	7.1	-	7.5	-	7.9	V
		0oC	4.5	-	4.5	-	4.7	-	V
		25oC	4.1	6.1	4.3	6.4	4.5	6.7	V
		50oC	4	-	4.2	-	4.4	-	V
LCD operation voltage	Vop	70oC	-	5.7	-	6	-	6.3	V
		LCM current consumption (No B/L)	Idd	Vdd=5V	-	2	3	mA	
Backlight current consumption	LED/edge	VB/L=4.2V	-	120	-	mA			
	LED/array	VB/L=4.2V	-	360	-	mA			



LCD option: STN, TN, FSTN

Backlight Option: LED,EL Backlight feature, other Specs not available on catalog is under request.