

# THYRISTOR MODULE

## PK(PD,PE)70FG

UL;E76102 (M)

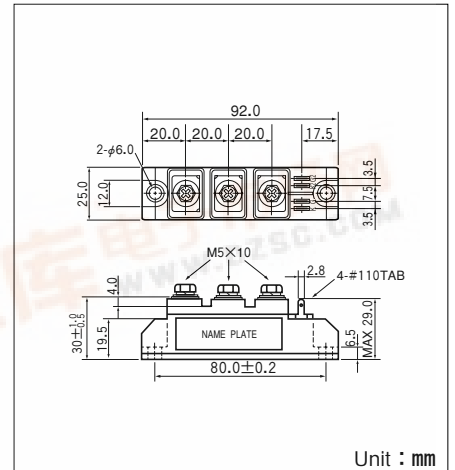
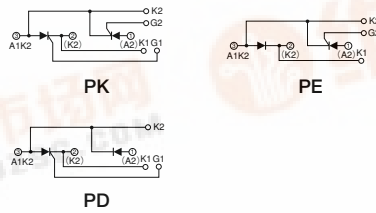
Power Thyristor/Diode Module PK70FG series are designed for various rectifier circuits and power controls. For your circuit application, following internal connections and wide voltage ratings up to 1600V are available. and electrically isolated mounting base make your mechanical design easy.

- $I_{T(AV)}$  70A,  $I_{T(RMS)}$  110A,  $I_{TSM}$  1600A
- $di/dt$  100A/ $\mu$ s
- $dv/dt$  1000V/ $\mu$ s

### (Applications)

Various rectifiers  
AC/DC motor drives  
Heater controls  
Light dimmers  
Static switches

Internal Configurations



Unit : mm

( $T_j = 25^\circ\text{C}$  unless otherwise specified)

### Maximum Ratings

Symbol	Item	Ratings				Unit
		PK70FG40 PD70FG40 PE70FG40	PK70FG80 PD70FG80 PE70FG80	PK70FG120 PD70FG120 PE70FG120	PK70FG160 PD70FG160 PE70FG160	
$V_{RRM}$	* Repetitive Peak Reverse Voltage	400	800	1200	1600	V
$V_{RSM}$	* Non-Repetitive Peak Reverse Voltage	480	960	1300	1700	V
$V_{DRM}$	* Repetitive Peak off-state Voltage	400	800	1200	1600	V

Symbol	Item	Conditions	Ratings	Unit	
$I_{T(AV)}$	* Average On-state Current	Single phase, half wave, $180^\circ$ conduction, $T_c = 84^\circ\text{C}$	70	A	
$I_{T(RMS)}$	* R.M.S. On-state Current	Single phase, half wave, $180^\circ$ conduction, $T_c = 84^\circ\text{C}$	110	A	
$I_{TSM}$	* Surge On-state Current	$\frac{1}{2}$ Cycle, 50/60Hz, Peak Value, non-repetitive	1460/1600	A	
$I^2t$	* $I^2t$	Value for one cycle surge current	10660	$\text{A}^2\text{s}$	
$P_{GM}$	Peak Gate Power Dissipation		10	W	
$P_{G(AV)}$	Average Gate Power Dissipation		1	W	
$I_{FGM}$	Peak Gate Current		3	A	
$V_{FGM}$	Peak Gate Voltage (Forward)		10	V	
$V_{RGM}$	Peak Gate Voltage (Reverse)		5	V	
$di/dt$	Critical Rate of Rise of On-state Current	$I_G = 100\text{mA}$ , $V_D = \frac{1}{2}V_{DRM}$ , $di_G/dt = 0.1\text{A}/\mu\text{s}$	100	$\text{A}/\mu\text{s}$	
$V_{ISO}$	* Isolation Breakdown Voltage (R.M.S.)	A.C. 1minute	2500	V	
$T_j$	* Operating Junction Temperature		-40 to +125	$^\circ\text{C}$	
$T_{stg}$	* Storage Temperature		-40 to +125	$^\circ\text{C}$	
	Mounting Torque	Mounting (M5)	Recommended Value 1.5-2.5 (15-25)	2.7 (28)	N·m ( $\text{kgf}\cdot\text{cm}$ )
		Terminal (M5)	Recommended Value 1.5-2.5 (15-25)	2.7 (28)	
	Mass	Typical Value	170	g	

### Electrical Characteristics

Symbol	Item	Conditions	Ratings	Unit
$I_{DRM}$	Repetitive Peak off-state Current,max	$T_j = 125^\circ\text{C}$ , $V_D = V_{DRM}$	20	mA
$I_{RRM}$	* Repetitive Peak Reverse Current,max	$T_j = 125^\circ\text{C}$ , $V_D = V_{DRM}$	20	mA
$V_{TM}$	* On-state Voltage,max	$I_T = 210\text{A}$	1.6	V
$I_{GT}$	Gate Trigger Current,max	$V_D = 6\text{V}$ , $I_T = 1\text{A}$	50	mA
$V_{GT}$	Gate Trigger Voltage,max	$V_D = 6\text{V}$ , $I_T = 1\text{A}$	3	V
$V_{GNT}$	Gate Non-Trigger Voltage,min	$T_j = 125^\circ\text{C}$ , $V_D = \frac{1}{2}V_{DRM}$	0.25	V
$dv/dt$	Critical Rate of Rise of off-state Voltage,min	$T_j = 125^\circ\text{C}$ , $V_D = \frac{2}{3}V_{DRM}$	1000	$\text{V}/\mu\text{s}$
$R_{th(j-c)}$	* Thermal Impedance,max	Junction to case	0.37	$^\circ\text{C}/\text{W}$

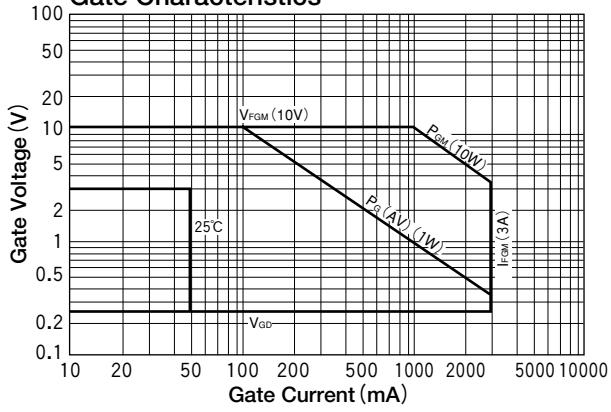
\*mark : Thyristor and Diode part. No mark : Thyristor part



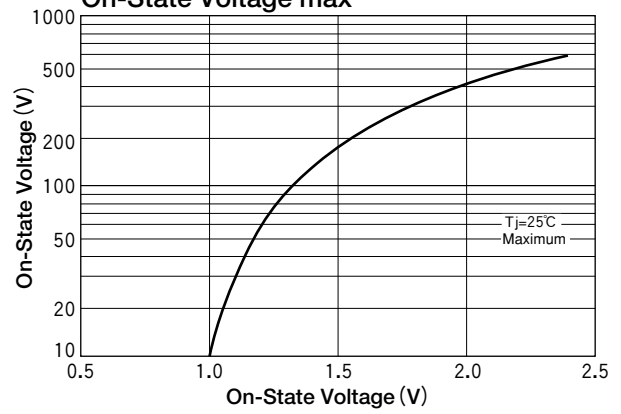
找IC就上捷多邦

# PK(PD,PE)70FG

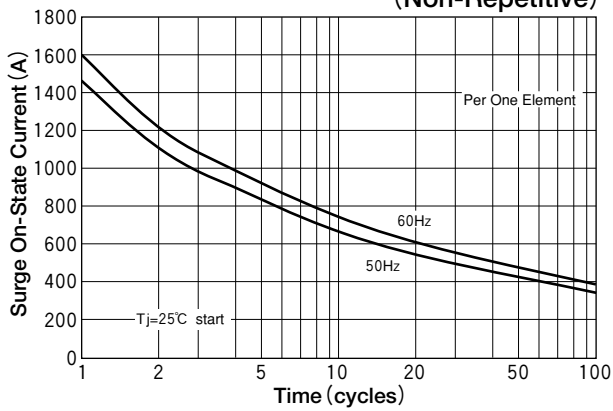
**Gate Characteristics**



**On-State Voltage max**



**Surge On-State Current Rating (Non-Repetitive)**



**Transient Thermal Impedance**

