

Radar Pulsed Power Transistor, 11W, 1 μ s Pulse, 10% Duty 3.1 - 3.4 GHz PH3134-11S

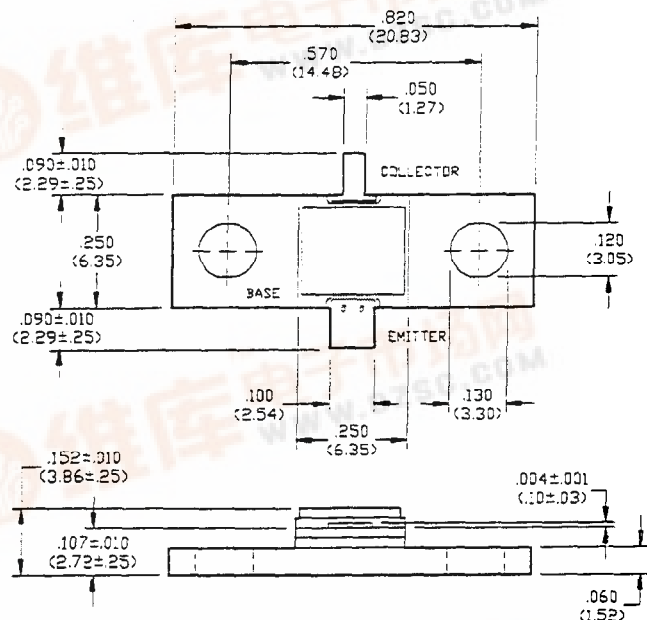
V2.00

Features

- NPN Silicon Microwave Power Transistor
- Common Base Configuration
- Broadband Class C Operation
- High Efficiency Interdigitated Geometry
- Diffused Emitter Ballasting Resistors
- Gold Metalization System
- Internal Input and Output Impedance Matching
- Hermetic Metal/Ceramic Package

Absolute Maximum Ratings at 25°C

Parameter	Symbol	Rating	Units
Collector-Emitter Voltage	V_{CES}	60	V
Emitter-Base Voltage	V_{EBO}	3.0	V
Collector Current (Peak)	I_C	1.3	A
Total Power Dissipation	P_{TOT}	125	W
Junction Temperature	T_J	200	°C
Storage Temperature	T_{STG}	-65 to +200	°C



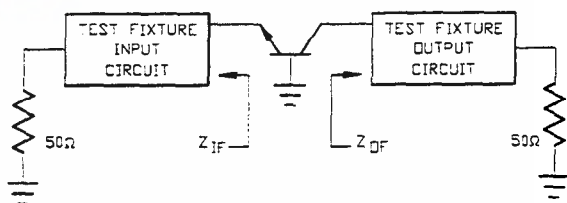
UNLESS OTHERWISE NOTED, TOLERANCES ARE INCHES = .005" (MILLIMETERS = .13MM)

Electrical Characteristics at 25°C

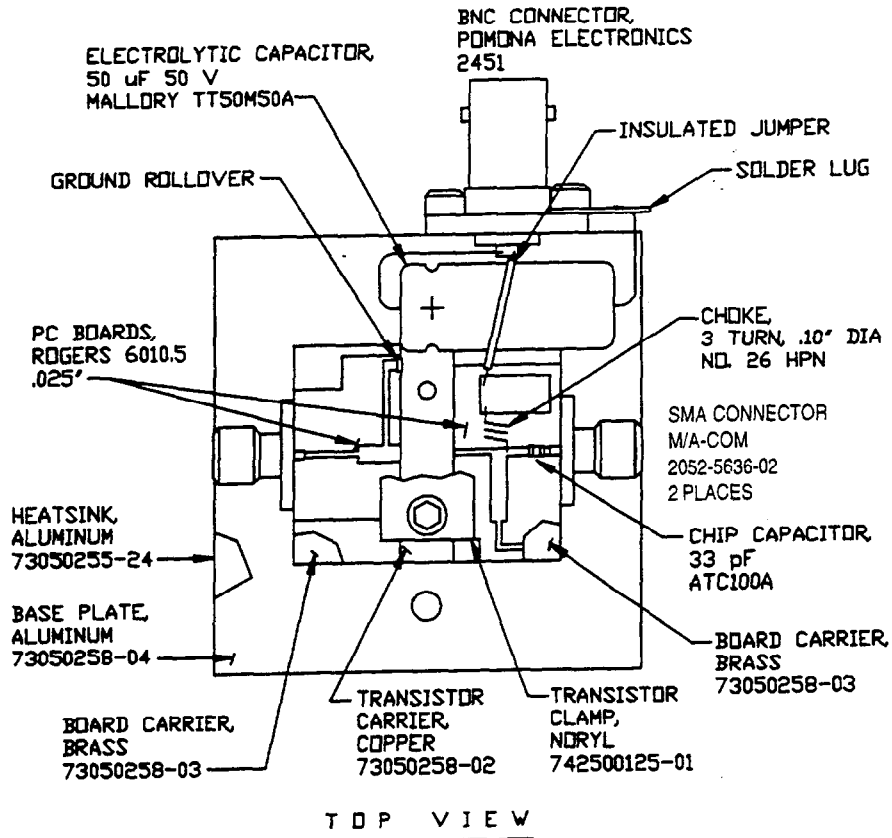
Parameter	Symbol	Min	Max	Units	Test Conditions
Collector-Emitter Breakdown Voltage	BV_{CES}	60	-	V	$I_C=12.5$ mA
Collector-Emitter Leakage Current	I_{CES}	-	1.25	mA	$V_{CE}=36$ V
Thermal Resistance	$R_{TH(JC)}$	-	1.4	°C/W	$V_{CC}=36$ V, $P_{OUT}=11$ W, F=3.1, 3.25, 3.4 GHz
Input Power	P_{IN}	-	1.74	W	$V_{CC}=36$ V, $P_{OUT}=11$ W, F=3.1, 3.25, 3.4 GHz
Power Gain	G_p	8.0	-	dB	$V_{CC}=36$ V, $P_{OUT}=11$ W, F=3.1, 3.25, 3.4 GHz
Collector Efficiency	η_C	35	-	%	$V_{CC}=36$ V, $P_{OUT}=11$ W, F=3.1, 3.25, 3.4 GHz
Input Return Loss	RL	6	-	dB	$V_{CC}=36$ V, $P_{OUT}=11$ W, F=3.1, 3.25, 3.4 GHz
Load Mismatch Tolerance	VSWR-T	-	2:1	-	$V_{CC}=36$ V, $P_{OUT}=11$ W, F=3.25 GHz

Broadband Test Fixture Impedances

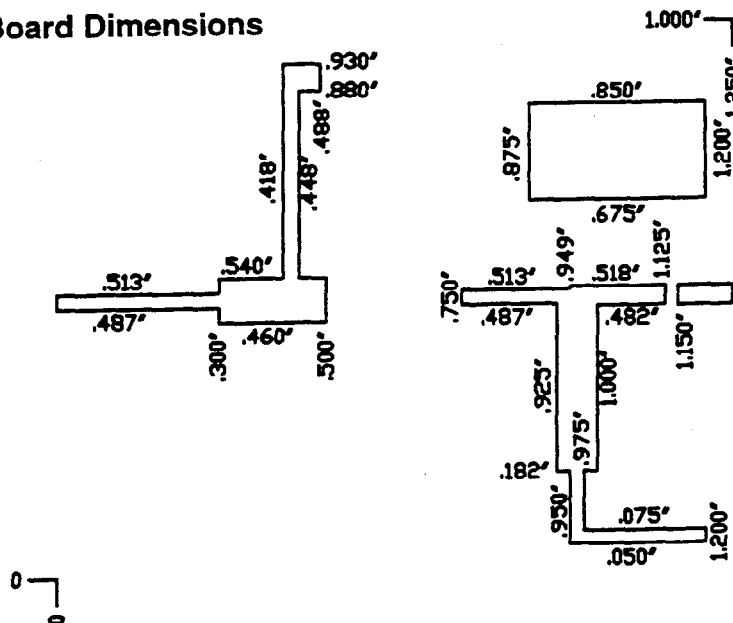
F(GHz)	$Z_{IF}(\Omega)$	$Z_{OF}(\Omega)$
3.10	17.5 - j8.5	90.0 + j37.0
3.25	15.0 - j8.2	58.0 + j7.0
3.40	13.0 - j8.0	36.0 + j14.5



RF Test Fixture



Test Fixture PC Board Dimensions



Specifications Subject to Change Without Notice.

M/A-COM, Inc.

North America: Tel. (800) 366-2266
Fax (800) 618-8883

Asia/Pacific: Tel. +81 (03) 3226-1671
Fax +81 (03) 3226-1451

Europe: Tel. +44 (1344) 869 595
Fax +44 (1344) 300 020