

PM5351

**S/UNI-[®]
155-TETRA**

S/UNI-TETRA

**SATURN
USER NETWORK INTERFACE
(155-TETRA)**

DATA SHEET

ISSUE 7: FEBRUARY 2000



REVISION HISTORY

Issue No.	Issue Date	Details of Change
7	February 2000	<ul style="list-style-type: none">• Converted Bit 0 of register 0x0E to "Reserved"• Added PERFCTRL register bit to register 0x0F• Changed AVGPEN bit description in register 0xDD.

Issue No.	Issue Date	Details of Change
6	December, 1999	<p>General update including:</p> <ul style="list-style-type: none"> • Page 17 – Signal Detect connection information • Page 18 – Power info when using 155.52 transmit clocks • Page 24,32 – Clarification on use of TENB and RENB • Page 37 – PHY_OEN operation when the TETRA is shared with other PHY devices on the same bus • Page 38 – Device initialization information • Page 40 – 220nf X7R 10% ceramic capacitor used to meet jitter transfer specifications • Page 42 – Pull-up resistor on QAVD signals needed to avoid latchup during power-up • Page 60, 214, 234 – Maximum packet length should be set no greater than 0xFFFFE • Page 66 – Packets are not aborted in overrun conditions • Page 72 – RPA assertion information • Page 86 – Revision ID bits incremented • Page 105 – LANB_WAN bit added to select between jitter transfer and non jitter transfer mode of operations • Page 152 – Path far end receiver failure alarm persistence bit info updated • Page 161 – Info on setting Path Signal Label for POS mode • Page 176 – FIFO reset should be performed after FIFO overrun • Page 210 – Register bit added to select between abort sequence or flag insertion under a drop path AIS condition • Page 216 – Maximum Receive Packet Available High Water Mark is 0xF0

Issue No.	Issue Date	Details of Change
6	December 1999	<ul style="list-style-type: none">• Page 229 – Info on setting Transmit Initiation Levels• Page 232 – Setting of Transmit Packet Available High Water Mark to avoid FIFO overruns• Page 250 – S1 debouncing information• Page 268 – Updated boundary scan info• Page 296 – Analog Power Supply Filtering info• Page 298 – Updated Power Supply Sequencing info• Page 303 – Setting the TETRA for SDH or SONET mode• Page 308 – Updated POS Receive Synchronous FIFO Timing Diagram• Page 313 – Updated DC characteristic• Page 336 – Updated air flow info

CONTENTS

1	FEATURES	1
1.1	GENERAL.....	1
1.2	THE SONET RECEIVER.....	2
1.3	THE RECEIVE ATM PROCESSOR.....	3
1.4	THE RECEIVE POS PROCESSOR	3
1.5	THE SONET TRANSMITTER	4
1.6	THE TRANSMIT ATM PROCESSOR.....	4
1.7	THE TRANSMIT POS PROCESSOR	5
2	APPLICATIONS.....	6
3	REFERENCES	7
4	DEFINITIONS.....	9
5	APPLICATION EXAMPLES	12
6	BLOCK DIAGRAM.....	16
7	DESCRIPTION	18
8	PIN DIAGRAM.....	21
9	PIN DESCRIPTION.....	23
9.1	LINE SIDE INTERFACE SIGNALS.....	23
9.2	SECTION AND LINE STATUS DCC SIGNALS	27
9.3	ATM (UTOPIA) AND PACKET OVER SONET (POS-PHY) SYSTEM INTERFACE	29
9.4	MICROPROCESSOR INTERFACE SIGNALS	51
9.5	JTAG TEST ACCESS PORT (TAP) SIGNALS	52
9.6	ANALOG SIGNALS.....	53
9.7	POWER AND GROUND.....	54
10	FUNCTIONAL DESCRIPTION.....	61
10.1	RECEIVE LINE INTERFACE (CRSI).....	61
10.1.1	CLOCK RECOVERY.....	61
10.1.2	SERIAL TO PARALLEL CONVERTER.....	62
10.2	RECEIVE SECTION OVERHEAD PROCESSOR (RSOP).....	62

10.2.1	FRAMER.....	63
10.2.2	DESCRAMBLE	63
10.2.3	DATA LINK EXTRACT.....	63
10.2.4	ERROR MONITOR.....	63
10.2.5	LOSS OF SIGNAL	64
10.2.6	LOSS OF FRAME.....	64
10.3	RECEIVE LINE OVERHEAD PROCESSOR (RLOP).....	64
10.3.1	LINE RDI DETECT.....	64
10.3.2	LINE AIS DETECT.....	65
10.3.3	DATA LINK EXTRACT BLOCK.....	65
10.3.4	ERROR MONITOR BLOCK.....	65
10.4	THE RECEIVE APS, SYNCHRONIZATION EXTRACTOR AND BIT ERROR MONITOR (RASE).....	66
10.4.1	AUTOMATIC PROTECTION SWITCH CONTROL.....	66
10.4.2	BIT ERROR RATE MONITOR.....	67
10.4.3	SYNCHRONIZATION STATUS EXTRACTION.....	67
10.5	RECEIVE PATH OVERHEAD PROCESSOR (RPOP).....	68
10.5.1	POINTER INTERPRETER.....	68
10.5.2	SPE TIMING.....	72
10.5.3	ERROR MONITOR.....	72
10.6	RECEIVE ATM CELL PROCESSOR (RXCP).....	73
10.6.1	CELL DELINEATION.....	73
10.6.2	DESCRAMBLER.....	75
10.6.3	CELL FILTER AND HCS VERIFICATION.....	75
10.6.4	PERFORMANCE MONITOR	76
10.7	RECEIVE POS FRAME PROCESSOR (RXFP).....	77
10.7.1	OVERHEAD REMOVAL.....	77
10.7.2	DESCRAMBLER.....	77
10.7.3	POS FRAME DELINEATION	77
10.7.4	BYTE DESTUFFING.....	78
10.7.5	FCS CHECK.....	78

10.7.6	PERFORMANCE MONITOR	79
10.7.7	RECEIVE FIFO.....	80
10.8	TRANSMIT LINE INTERFACE (CSPI).....	80
10.8.1	CLOCK SYNTHESIS.....	81
10.8.2	PARALLEL TO SERIAL CONVERTER.....	81
10.9	TRANSMIT SECTION OVERHEAD PROCESSOR (TSOP).....	81
10.9.1	LINE AIS INSERT	81
10.9.2	DATA LINK INSERT.....	81
10.9.3	BIP-8 INSERT.....	82
10.9.4	FRAMING AND IDENTITY INSERT.....	82
10.9.5	SCRAMBLER.....	82
10.10	TRANSMIT LINE OVERHEAD PROCESSOR (TLOP).....	83
10.10.1	APS INSERT.....	83
10.10.2	DATA LINK INSERT.....	83
10.10.3	LINE BIP CALCULATE	83
10.10.4	LINE RDI INSERT.....	83
10.10.5	LINE FEBE INSERT.....	84
10.11	TRANSMIT PATH OVERHEAD PROCESSOR (TPOP).....	84
10.11.1	POINTER GENERATOR	84
10.11.2	BIP-8 CALCULATE	85
10.11.3	FEBE CALCULATE.....	85
10.12	TRANSMIT ATM CELL PROCESSOR (TXCP).....	85
10.12.1	IDLE/UNASSIGNED CELL GENERATOR.....	85
10.12.2	SCRAMBLER.....	85
10.12.3	HCS GENERATOR	86
10.13	TRANSMIT POS FRAME PROCESSOR (TXFP).....	86
10.13.1	TRANSMIT FIFO	86
10.13.2	POS FRAME GENERATOR.....	87
10.13.3	FCS GENERATOR	87
10.13.4	BYTE STUFFING.....	88
10.13.5	DATA SCRAMBLING.....	88

10.13.6	SONET/SDH FRAMER	89
10.14	SONET/SDH SECTION AND PATH TRACE BUFFERS (SSTB AND SPTB)....	89
10.14.1	RECEIVE TRACE BUFFER (RTB).....	89
10.14.1.1	TRACE MESSAGE RECEIVER.....	89
10.14.1.2	OVERHEAD BYTE RECEIVER.....	90
10.14.2	TRANSMIT TRACE BUFFER (TTB).....	91
10.15	ATM UTOPIA AND PACKET OVER SONET/SDH POS-PHY SYSTEM INTERFACES.....	91
10.15.1	RECEIVE ATM INTERFACE	92
10.15.2	RECEIVE POS INTERFACE.....	92
10.15.2.1	PREMATURE RPA ASSERTION.....	93
10.15.3	TRANSMIT ATM INTERFACE	94
10.15.4	TRANSMIT POS INTERFACE	95
10.16	WAN SYNCHRONIZATION CONTROLLER (WANS).....	96
10.16.1	PHASE COMPARISON.....	96
10.16.1.1	PHASE REACQUISITION CONTROL	97
10.16.2	PHASE AVERAGER.....	98
10.17	JTAG TEST ACCESS PORT.....	99
10.18	MICROPROCESSOR INTERFACE	99
11	NORMAL MODE REGISTER DESCRIPTION.....	108
12	TEST FEATURES DESCRIPTION.....	331
12.1	MASTER TEST REGISTER.....	331
12.2	TEST MODE 0 DETAILS	333
12.3	JTAG TEST PORT.....	333
12.3.1	BOUNDARY SCAN CELLS	341
13	OPERATION.....	344
13.1	SONET/SDH FRAME MAPPINGS AND OVERHEAD BYTE USAGE.....	344
13.1.1	ATM MAPPING.....	344
13.1.2	PACKET OVER SONET/SDH MAPPING.....	346
13.1.3	TRANSPORT AND PATH OVERHEAD BYTES.....	348
13.2	ATM CELL DATA STRUCTURE	356

13.3	PACKET OVER SONET/SDH DATA STRUCTURE	358
13.4	BIT ERROR RATE MONITOR.....	358
13.5	CLOCKING OPTIONS	359
13.6	LOOPBACK OPERATION.....	361
13.7	JTAG SUPPORT.....	369
13.7.1	TAP CONTROLLER.....	370
13.7.1.1	STATES	372
13.7.1.2	INSTRUCTIONS.....	373
13.8	BOARD DESIGN RECOMMENDATIONS	374
13.9	ANALOG POWER SUPPLY FILTERING.....	375
13.10	POWER SUPPLIES SEQUENCING.....	380
13.11	INTERFACING TO ECL OR PECL DEVICES.....	382
13.12	CLOCK RECOVERY LOOP FILTER.....	385
13.13	SETTING THE S/UNI-TETRA IN ATM MODE	385
13.14	SETTING THE S/UNI-TETRA IN POS MODE	386
13.15	SETTING THE S/UNI-TETRA FOR SONET OR SDH APPLICATIONS	387
13.16	USING THE S/UNI-TETRA WITH A 5 VOLT ODL.....	387
14	FUNCTIONAL TIMING	388
14.1	ATM UTOPIA LEVEL 2 SYSTEM INTERFACE.....	388
14.2	PACKET OVER SONET/SDH (POS) SYSTEM INTERFACE.....	390
14.3	SECTION AND LINE DATA COMMUNICATION CHANNELS	393
15	ABSOLUTE MAXIMUM RATINGS.....	396
16	D.C. CHARACTERISTICS.....	397
17	MICROPROCESSOR INTERFACE TIMING CHARACTERISTICS	400
18	A.C. TIMING CHARACTERISTICS	404
18.1	SYSTEM RESET TIMING.....	404
18.2	REFERENCE TIMING.....	404
18.3	ATM SYSTEM INTERFACE TIMING	405
18.4	POS SYSTEM INTERFACE TIMING	409
18.5	LINE AND SECTION DCC TIMING.....	414
18.6	TRANSMIT AND RECEIVE FRAME PULSES.....	416

18.7	TRANSMIT LINE TIMING IN SINGLE ENDED TXD/TXC MODE	417
18.8	JTAG TEST PORT TIMING.....	417
19	ORDERING AND THERMAL INFORMATION	420
20	MECHANICAL INFORMATION.....	422

LIST OF REGISTERS

REGISTER 0X00: S/UNI-TETRA MASTER RESET AND IDENTITY	109
REGISTER 0X01: S/UNI-TETRA MASTER CONFIGURATION	110
REGISTER 0X02: S/UNI-TETRA MASTER SYSTEM INTERFACE CONTROL	112
REGISTER 0X03: S/UNI-TETRA MASTER CLOCK MONITOR	114
REGISTER 0X04: S/UNI-TETRA MASTER INTERRUPT STATUS	116
REGISTER 0X05: S/UNI-TETRA CHANNEL RESET AND MONITORING UPDATE	118
REGISTER 0X06: S/UNI-TETRA CHANNEL CONFIGURATION	119
REGISTER 0X07: S/UNI-TETRA CHANNEL CONTROL	121
REGISTER 0X08: S/UNI-TETRA CHANNEL CONTROL EXTENSION	123
REGISTER 0X0A: S/UNI-TETRA CHANNEL INTERRUPT STATUS #1	124
REGISTER 0X0B: S/UNI-TETRA CHANNEL INTERRUPT STATUS #2	126
REGISTER 0X0C: CSPI (CLOCK SYNTHESIS) CONTROL AND STATUS	128
REGISTER 0X0D: CSPI (CLOCK SYNTHESIS) RESERVED	130
REGISTER 0X0E: CRSI (CLOCK RECOVERY) CONTROL AND STATUS	131
REGISTER 0X0F: CRSI (CLOCK RECOVERY) PLL MODE SELECT	133
REGISTER 0X10: RSOP CONTROL/INTERRUPT ENABLE	135
REGISTER 0X11: RSOP STATUS/INTERRUPT STATUS	137
REGISTER 0X12: RSOP SECTION BIP-8 LSB	139
REGISTER 0X13: RSOP SECTION BIP-8 MSB	139
REGISTER 0X14: TSOP CONTROL	140
REGISTER 0X15: TSOP DIAGNOSTIC	143
REGISTER 0X18: RLOP CONTROL/STATUS	144
REGISTER 0X19: RLOP INTERRUPT ENABLE/INTERRUPT STATUS	147
REGISTER 0X1A: RLOP LINE BIP-24 LSB	149
REGISTER 0X1B: RLOP LINE BIP-24	149
REGISTER 0X1C: RLOP LINE BIP-24 MSB	150
REGISTER 0X1D: RLOP LINE FEBE LSB	151
REGISTER 0X1E: RLOP LINE FEBE	151
REGISTER 0X1F: RLOP LINE FEBE MSB	152

REGISTER 0X20: TLOP CONTROL	153
REGISTER 0X21: TLOP DIAGNOSTIC.....	156
REGISTER 0X22: TLOP TRANSMIT K1.....	157
REGISTER 0X23: TLOP TRANSMIT K2.....	158
REGISTER 0X24: S/UNI-TETRA CHANNEL TRANSMIT SYNC. MESSAGE (S1)	159
REGISTER 0X25: S/UNI-TETRA CHANNEL TRANSMIT J0/Z0.....	160
REGISTER 0X28: SSTB CONTROL	161
REGISTER 0X29: SSTB SECTION TRACE IDENTIFIER STATUS.....	163
REGISTER 0X2A: SSTB INDIRECT ADDRESS REGISTER.....	165
REGISTER 0X2B: SSTB INDIRECT DATA REGISTER.....	166
REGISTER 0X30 (EXTD=0): RPOP STATUS/CONTROL.....	170
REGISTER 0X30 (EXTD=1): RPOP STATUS/CONTROL.....	172
REGISTER 0X31 (EXTD=0): RPOP INTERRUPT STATUS	174
REGISTER 0X31 (EXTD=1): RPOP INTERRUPT STATUS	176
REGISTER 0X32: RPOP POINTER INTERRUPT STATUS.....	177
REGISTER 0X33 (EXTD=0): RPOP INTERRUPT ENABLE	179
REGISTER 0X33 (EXTD=1): RPOP INTERRUPT ENABLE	181
REGISTER 0X34: RPOP POINTER INTERRUPT ENABLE	183
REGISTER 0X35: RPOP POINTER LSB.....	185
REGISTER 0X36: RPOP POINTER MSB AND RDI FILTER CONTROL.....	186
REGISTER 0X37: RPOP PATH SIGNAL LABEL.....	188
REGISTER 0X38: RPOP PATH BIP-8 LSB.....	189
REGISTER 0X39: RPOP PATH BIP-8 MSB	189
REGISTER 0X3A: RPOP PATH FEBE LSB	190
REGISTER 0X3B: RPOP PATH FEBE MSB	190
REGISTER 0X3C: RPOP AUXILIARY RDI.....	191
REGISTER 0X3D: RPOP ERROR EVENT CONTROL	193
REGISTER 0X40: TPOP CONTROL/DIAGNOSTIC	196
REGISTER 0X41: TPOP POINTER CONTROL	199
REGISTER 0X43: TPOP CURRENT POINTER LSB	203
REGISTER 0X44: TPOP CURRENT POINTER MSB	204

REGISTER 0X45: TPOP ARBITRARY POINTER LSB.....	205
REGISTER 0X46: TPOP ARBITRARY POINTER MSB.....	206
REGISTER 0X47: TPOP PATH TRACE	207
REGISTER 0X48: TPOP PATH SIGNAL LABEL.....	208
REGISTER 0X49: TPOP PATH STATUS	209
REGISTER 0X50: SPTB CONTROL	217
REGISTER 0X51: SPTB PATH TRACE IDENTIFIER STATUS	219
REGISTER 0X52: SPTB INDIRECT ADDRESS REGISTER.....	221
REGISTER 0X53: SPTB INDIRECT DATA REGISTER.....	222
REGISTER 0X54: SPTB EXPECTED PATH SIGNAL LABEL.....	223
REGISTER 0X55: SPTB PATH SIGNAL LABEL STATUS	224
REGISTER 0X60: RXCP_50 CONFIGURATION 1	226
REGISTER 0X61: RXCP_50 CONFIGURATION 2.....	228
REGISTER 0X62: RXCP_50 FIFO/UTOPIA CONTROL & CONFIG.....	231
REGISTER 0X63: RXCP_50 INTERRUPT ENABLES AND COUNTER STATUS	233
REGISTER 0X64: RXCP_50 STATUS/INTERRUPT STATUS	235
REGISTER 0X65: RXCP_50 LCD COUNT THRESHOLD (MSB).....	237
REGISTER 0X66: RXCP_50 LCD COUNT THRESHOLD (LSB)	237
REGISTER 0X67: RXCP_50 IDLE CELL HEADER PATTERN.....	239
REGISTER 0X68: RXCP_50 IDLE CELL HEADER MASK.....	240
REGISTER 0X69: RXCP_50 CORRECTED HCS ERROR COUNT.....	241
REGISTER 0X6A: RXCP_50 UNCORRECTED HCS ERROR COUNT.....	242
REGISTER 0X6B: RXCP_50 RECEIVE CELL COUNTER (LSB).....	243
REGISTER 0X6C: RXCP_50 RECEIVE CELL COUNTER.....	243
REGISTER 0X6D: RXCP_50 RECEIVE CELL COUNTER (MSB).....	243
REGISTER 0X6E: RXCP_50 IDLE CELL COUNTER (LSB).....	245
REGISTER 0X6F: RXCP_50 IDLE CELL COUNTER	245
REGISTER 0X70: RXCP_50 IDLE CELL COUNTER (MSB).....	246
REGISTER 0X80: TXCP_50 CONFIGURATION 1	247
REGISTER 0X81: TXCP_50 CONFIGURATION 2.....	249
REGISTER 0X82: TXCP_50 CELL COUNT STATUS/CONFIGURATION OPTIONS	251

REGISTER 0X83: TXCP_50 INTERRUPT ENABLE/STATUS	252
REGISTER 0X84: TXCP_50 IDLE CELL HEADER CONTROL	254
REGISTER 0X85: TXCP_50 IDLE CELL PAYLOAD CONTROL	255
REGISTER 0X86: TXCP_50 TRANSMIT CELL COUNT (LSB).....	256
REGISTER 0X87: TXCP_50 TRANSMIT CELL COUNT.....	256
REGISTER 0X88: TXCP_50 TRANSMIT CELL COUNT (MSB).....	256
REGISTER 0X90: S/UNI-TETRA CHANNEL AUTO LINE RDI CONTROL.....	258
REGISTER 0X91: S/UNI-TETRA CHANNEL AUTO PATH RDI CONTROL.....	260
REGISTER 0X92: S/UNI-TETRA CHANNEL AUTO ENHANCED PATH RDI CONTROL	262
REGISTER 0X93: S/UNI-TETRA CHANNEL RECEIVE RDI AND ENHANCED RDI CONTROL EXTENSIONS	265
REGISTER 0X94: S/UNI-TETRA CHANNEL RECEIVE LINE AIS CONTROL.....	267
REGISTER 0X95: S/UNI-TETRA CHANNEL RECEIVE PATH AIS CONTROL.....	269
REGISTER 0X96: S/UNI-TETRA CHANNEL RECEIVE ALARM CONTROL #1	271
REGISTER 0X97: S/UNI-TETRA CHANNEL RECEIVE ALARM CONTROL #2	271
REGISTER 0XA0: RXFP CONFIGURATION	273
REGISTER 0XA1: RXFP CONFIGURATION/INTERRUPT ENABLES	275
REGISTER 0XA2: RXFP INTERRUPT STATUS	276
REGISTER 0XA3: RXFP MINIMUM PACKET LENGTH.....	277
REGISTER 0XA4: RXFP MAXIMUM PACKET LENGTH (LSB).....	278
REGISTER 0XA5: RXFP MAXIMUM PACKET LENGTH (MSB).....	278
REGISTER 0XA6: RXFP RECEIVE INITIATION LEVEL.....	279
REGISTER 0XA7: RXFP RECEIVE PACKET AVAILABLE HIGH WATER MARK	281
REGISTER 0XA8: RXFP RECEIVE BYTE COUNTER (LSB).....	282
REGISTER 0XA9: RXFP RECEIVE BYTE COUNTER.....	282
REGISTER 0XAA: RXFP RECEIVE BYTE COUNTER.....	282
REGISTER 0XAB: RXFP RECEIVE BYTE COUNTER (MSB).....	283
REGISTER 0XAC: RXFP RECEIVE FRAME COUNTER (LSB).....	284
REGISTER 0XAD: RXFP RECEIVE FRAME COUNTER.....	284
REGISTER 0XAE: RXFP RECEIVE FRAME COUNTER (MSB).....	284
REGISTER 0XAF: RXFP RECEIVE ABORTED FRAME COUNTER (LSB).....	286

REGISTER 0XB0: RXFP RECEIVE ABORTED FRAME COUNTER (MSB)	286
REGISTER 0XB1: RXFP RECEIVE FCS ERROR FRAME COUNTER (LSB)	287
REGISTER 0XB2: RXFP RECEIVE FCS ERROR FRAME COUNTER (MSB).....	287
REGISTER 0XB3: RXFP RECEIVE MINIMUM LENGTH ERROR FRAME COUNTER (LSB)..	288
REGISTER 0XB4: RXFP RECEIVE MINIMUM LENGTH ERROR FRAME COUNTER (MSB)	288
REGISTER 0XB5: RXFP RECEIVE MAXIMUM LENGTH ERROR FRAME COUNTER (LSB)	289
REGISTER 0XB6: RXFP RECEIVE MAXIMUM LENGTH ERROR FRAME COUNTER (MSB)	289
REGISTER 0XC0: TXFP INTERRUPT ENABLE/STATUS.....	290
REGISTER 0XC1: TXFP CONFIGURATION.....	292
REGISTER 0XC2: TXFP CONTROL	294
REGISTER 0XC3: TXFP TRANSMIT PACKET AVAILABLE LOW WATER MARK.....	296
REGISTER 0XC4: TXFP TRANSMIT PACKET AVAILABLE HIGH WATER MARK	297
REGISTER 0XC5: TXFP TRANSMIT BYTE COUNTER (LSB).....	298
REGISTER 0XC6: TXFP TRANSMIT BYTE COUNTER.....	298
REGISTER 0XC7: TXFP TRANSMIT BYTE COUNTER.....	298
REGISTER 0XC8: TXFP TRANSMIT BYTE COUNTER (MSB).....	299
REGISTER 0XC9: TXFP TRANSMIT FRAME COUNTER (LSB).....	300
REGISTER 0XCA: TXFP TRANSMIT FRAME COUNTER.....	300
REGISTER 0XCB: TXFP TRANSMIT FRAME COUNTER (MSB).....	301
REGISTER 0XCC: TXFP TRANSMIT USER ABORTED FRAME COUNTER (LSB)	302
REGISTER 0XCD: TXFP TRANSMIT USER ABORTED FRAME COUNTER (MSB).....	302
REGISTER 0XCE: TXFP TRANSMIT FIFO ERROR ABORTED FRAME COUNTER (LSB)	303
REGISTER 0XCF: TXFP TRANSMIT FIFO ERROR ABORTED FRAME COUNTER (MSB)....	303
REGISTER 0XD0: WANS CONFIGURATION.....	305
REGISTER 0XD1: WANS INTERRUPT & STATUS	306
REGISTER 0XD2: WANS PHASE WORD [7:0].....	307
REGISTER 0XD3: WANS PHASE WORD [15:8].....	307
REGISTER 0XD4: WANS PHASE WORD [23:16].....	307
REGISTER 0XD5: WANS PHASE WORD [30:24].....	308
REGISTER 0XD9: WANS REFERENCE PERIOD [7:0]	309
REGISTER 0XDA: WANS REFERENCE PERIOD [15:8].....	309

REGISTER 0XDB: WANS PHASE COUNTER PERIOD[7:0].....	310
REGISTER 0XDC: WANS PHASE COUNTER PERIOD[15:8].....	310
REGISTER 0XDD: WANS PHASE AVERAGE PERIOD [3:0]	311
REGISTER 0XE0: RASE INTERRUPT ENABLE	312
REGISTER 0XE1: RASE INTERRUPT STATUS	313
REGISTER 0XE2: RASE CONFIGURATION/CONTROL.....	315
REGISTER 0XE3: RASE SF ACCUMULATION PERIOD.....	318
REGISTER 0XE4: RASE SF ACCUMULATION PERIOD.....	318
REGISTER 0XE5: RASE SF ACCUMULATION PERIOD.....	319
REGISTER 0XE6: RASE SF SATURATION THRESHOLD	320
REGISTER 0XE7: RASE SF SATURATION THRESHOLD	320
REGISTER 0XE8: RASE SF DECLARING THRESHOLD.....	321
REGISTER 0XE9: RASE SF DECLARING THRESHOLD.....	321
REGISTER 0XEA: RASE SF CLEARING THRESHOLD.....	322
REGISTER 0XEB: RASE SF CLEARING THRESHOLD.....	322
REGISTER 0XEC: RASE SD ACCUMULATION PERIOD.....	323
REGISTER 0XED: RASE SD ACCUMULATION PERIOD.....	323
REGISTER 0XEE: RASE SD ACCUMULATION PERIOD.....	324
REGISTER 0XEF: RASE SD SATURATION THRESHOLD.....	325
REGISTER 0XF0: RASE SD SATURATION THRESHOLD.....	325
REGISTER 0XF1: RASE SD DECLARING THRESHOLD.....	326
REGISTER 0XF2: RASE SD DECLARING THRESHOLD.....	326
REGISTER 0XF3: RASE SD CLEARING THRESHOLD	327
REGISTER 0XF4: RASE SD CLEARING THRESHOLD	327
REGISTER 0XF5: RASE RECEIVE K1	328
REGISTER 0XF6: RASE RECEIVE K2.....	329
REGISTER 0XF7: RASE RECEIVE Z1/S1.....	330
REGISTER 0X400: MASTER TEST.....	332

LIST OF FIGURES

FIGURE 1: TYPICAL STS-3C (STM-1) ATM SWITCH PORT APPLICATION.....	13
FIGURE 2: TYPICAL STS-3C (STM-1) PACKER OVER SONET/SDH (PPP) APPLICATION...	15
FIGURE 3: TYPICAL STS-3C (STM-1) JITTER TOLERANCE.....	62
FIGURE 4: POINTER INTERPRETATION STATE DIAGRAM.....	69
FIGURE 5: CELL DELINEATION STATE DIAGRAM.....	74
FIGURE 6: HCS VERIFICATION STATE DIAGRAM.....	76
FIGURE 7: PACKET OVER SONET/SDH FRAME FORMAT.....	78
FIGURE 8: CRC DECODER.....	79
FIGURE 9: PACKET OVER SONET/SDH FRAME FORMAT.....	87
FIGURE 10: CRC GENERATOR.....	88
FIGURE 11 : PRE-MATURE RPA ASSERTION TIMING	94
FIGURE 12. PHASE COMPARATOR BLOCK DIAGRAM	97
FIGURE 13. PHASE AVERAGER BLOCK DIAGRAM.....	98
FIGURE 14: INPUT OBSERVATION CELL (IN_CELL).....	342
FIGURE 15: OUTPUT CELL (OUT_CELL).....	342
FIGURE 16: BIDIRECTIONAL CELL (IO_CELL).....	343
FIGURE 17: LAYOUT OF OUTPUT ENABLE AND BIDIRECTIONAL CELLS	343
FIGURE 18: ATM MAPPING INTO THE STS-3C (STM-1) SPE.....	344
FIGURE 19: POS MAPPING INTO THE STS-3C (STM-1) SPE	346
FIGURE 20: STS-3C (STM-1) OVERHEAD.....	348
FIGURE 21: 16-BIT WIDE, 27 WORD ATM CELL STRUCTURE	357
FIGURE 22: PACKET DATA STRUCTURE	358
FIGURE 23: CONCEPTUAL CLOCKING STRUCTURE	360
FIGURE 24: LINE LOOPBACK MODE	363
FIGURE 25: SERIAL DIAGNOSTIC LOOPBACK MODE	365
FIGURE 26: PARALLEL DIAGNOSTIC LOOPBACK MODE	367
FIGURE 27: BOUNDARY SCAN ARCHITECTURE	369
FIGURE 28: TAP CONTROLLER FINITE STATE MACHINE	371
FIGURE 29: WAN MODE ANALOG POWER PIN PASSIVE-FILTERING WITH 3.3V SUPPLY	376

FIGURE 30: WAN MODE ANALOG POWER FILTERS WITH 3.3V SUPPLY (1).....	379
FIGURE 31: LAN MODE ANALOG POWER FILTERS WITH 3.3V SUPPLY (2).....	380
FIGURE 32: POWER SEQUENCING CIRCUIT	382
FIGURE 33: INTERFACING TO ECL OR PECL	383
FIGURE 34: CLOCK RECOVERY EXTERNAL COMPONENTS.....	385
FIGURE 35: MULTI-PHY POLLING AND ADDRESSING TRANSMIT CELL INTERFACE	388
FIGURE 36: MULTI-PHY POLLING AND ADDRESSING RECEIVE CELL INTERFACE	389
FIGURE 37: TRANSMIT POS SYSTEM INTERFACE TIMING	391
FIGURE 38: RECEIVE POS SYSTEM INTERFACE	393
FIGURE 39: TRANSPORT OVERHEAD DATA LINK CLOCK AND DATA EXTRACTION.....	394
FIGURE 40: TRANSPORT OVERHEAD DATA LINK CLOCK AND DATA INSERTION.....	395
FIGURE 41: MICROPROCESSOR INTERFACE READ TIMING	401
FIGURE 42: MICROPROCESSOR INTERFACE WRITE TIMING.....	403
FIGURE 43: RSTB TIMING DIAGRAM.....	404
FIGURE 44: TRANSMIT ATM SYSTEM INTERFACE TIMING DIAGRAM	406
FIGURE 45: RECEIVE ATM SYSTEM INTERFACE TIMING DIAGRAM	408
FIGURE 46: TRANSMIT POS SYSTEM INTERFACE TIMING	410
FIGURE 47: RECEIVE POS SYSTEM INTERFACE TIMING	413
FIGURE 48: SECTION DCC TIMING DIAGRAM.....	414
FIGURE 49: LINE DCC TIMING DIAGRAM	415
FIGURE 50: TRANSMIT AND RECEIVE FRAME PULSES.....	416
FIGURE 51: LINE SIDE TRANSMIT TIMING DIAGRAM (TXC_OE=1).....	417
FIGURE 52: JTAG PORT INTERFACE TIMING	418
FIGURE 53:- MECHANICAL DRAWING 304 PIN SUPER BALL GRID ARRAY (SBGA).....	422

LIST OF TABLES

TABLE 1: POINTER INTERPRETER EVENT (INDICATIONS) DESCRIPTION.....	69
TABLE 2: POINTER INTERPRETER TRANSITION DESCRIPTION.....	71
TABLE 3: BYTE DESTUFFING	78
TABLE 4: BYTE STUFFING.....	88
TABLE 5: OBR MISMATCH MECHANISM.....	91
TABLE 6: REGISTER MEMORY MAP.....	99
TABLE 8: TFPO CHANNEL SELECTION.....	111
TABLE 9: RECEIVE INITIATION LEVEL VALUES	279
TABLE 10: TRANSMIT INITIATION LEVEL VALUES.....	294
TABLE 11: INTER PACKET GAPING VALUES.....	295
TABLE 12: TEST MODE REGISTER MEMORY MAP.....	331
TABLE 13: INSTRUCTION REGISTER (LENGTH - 3 BITS).....	334
TABLE 14: IDENTIFICATION REGISTER (LENGTH – 32 BITS).....	334
TABLE 15: S/UNI-TETRA BOUNDARY SCAN REGISTER (LENGTH – 155 BITS)	334
TABLE 16: S/UNI-QUAD BOUNDARY SCAN REGISTER (LENGTH – 114 BITS).....	338
TABLE 17: RECOMMENDED BERM SETTINGS	359
TABLE 18 – SETTINGS FOR SONET OR SDH APPLICATIONS.....	387
TABLE 19: ABSOLUTE MAXIMUM RATINGS.....	396
TABLE 20: D.C CHARACTERISTICS	397
TABLE 21: MICROPROCESSOR INTERFACE READ ACCESS (FIGURE 41)	400
TABLE 22: MICROPROCESSOR INTERFACE WRITE ACCESS (FIGURE 42).....	402
TABLE 23: RSTB TIMING (FIGURE 43)	404
TABLE 24: TRANSMIT ATM SYSTEM INTERFACE TIMING (FIGURE 44)	405
TABLE 25: RECEIVE ATM SYSTEM INTERFACE TIMING (FIGURE 45).....	407
TABLE 26: TRANSMIT POS SYSTEM INTERFACE TIMING (FIGURE 46).....	409
TABLE 27: RECEIVE POS SYSTEM INTERFACE TIMING (FIGURE 47)	411
TABLE 28: SECTION DCC TIMING (FIGURE 48).....	414
TABLE 29: LINE DCC TIMING (FIGURE 49).....	415
TABLE 30: TRANSMIT AND RECEIVE FRAME PULSE TIMING (FIGURE 50).....	416

TABLE 31: LINE SIDE TRANSMIT TIMIGN (TXC_OE=1 ONLY) (FIGURE 51)	417
TABLE 32: JTAG PORT INTERFACE (FIGURE 52).....	417
TABLE 33: ORDERING INFORMATION.....	420
TABLE 34: THERMAL INFORMATION	420

1 FEATURES

1.1 General

- Single chip QUAD ATM User-Network Interface operating at 155.52 Mbit/s.
- Implements the ATM Forum User Network Interface Specification and the ATM physical layer for Broadband ISDN according to CCITT Recommendation I.432.
- Implements the Point-to-Point Protocol (PPP) over SONET/SDH specification according to RFC 1619/1662 of the PPP Working Group of the Internet Engineering Task Force (IETF).
- Processes duplex 155.52 Mbit/s STS-3c (STM-1) data streams with on-chip clock and data recovery and clock synthesis.
- Exceeds Bellcore GR-253-CORE jitter tolerance and intrinsic jitter criteria.
- Exceeds Bellcore GR-253-CORE (1995 Issue) jitter transfer and phase variation criteria.
- Provides control circuitry required to exceed Bellcore GR-253-CORE WAN clocking requirements related to wander transfer, holdover and long term stability when using an external VCXO.
- Fully implements the ATM Forum's Utopia Level 2 Specification with Multi-PHY addressing and parity support.
- Implements the POS-PHY 16-bit System Interface for Packet over SONET/SDH (POS) applications. This system interface is similar to Utopia Level 2, but adapted to packet transfer. Both byte-level and packet-level transfer modes are supported.
- Provides a standard 5 signal IEEE 1149.1 JTAG test port for boundary scan board test purposes.
- Provides a generic 8-bit microprocessor bus interface for configuration, control, and status monitoring.
- Low power 3.3V CMOS with PECL and TTL compatible inputs and CMOS/TTL outputs, with 5V tolerance inputs (system side interface is 3.3V only).

- Industrial temperature range (-40°C to +85°C).
- 304 pin Super BGA package.

1.2 The SONET Receiver

- Provides a serial interface at 155.52 Mbit/s.
- Recovers the clock and data.
- Frames to and de-scrambles the recovered stream.
- Detects signal degrade (SD) and signal fail (SF) threshold crossing alarms based on received B2 errors.
- Captures and debounces the synchronization status (S1) byte in a readable register.
- Filters and captures the automatic protection switch channel (K1, K2) bytes in readable registers and detects APS byte failure.
- Counts received section BIP-8 (B1) errors, received line BIP-24 (B2) errors, line far end block errors (FEBE), received path BIP-8 (B3) errors and path far end block errors (FEBE).
- Detects loss of signal (LOS), out of frame (OOF), loss of frame (LOF), line alarm indication signal (AIS), line remote defect indication (LRDI), loss of pointer (LOP), path alarm indication signal (AIS), path remote defect indication (PRDI) and path extended remote defect indicator (PERDI).
- Extracts the section and line data communication channels (D1-D3 and D4-12) as selected in internal register banks and serializes them at 192 Kbit/s (D1-D3) and 576 Kbit/s (D4-D12) for optional external processing.
- Extracts the 16 or 64 byte section trace (J0) sequence and the 16 or 64 byte path trace (J1) sequence into internal register banks.
- Interprets the received payload pointer (H1, H2) and extracts the STS-3c (STM-1) synchronous payload envelope and path overhead.
- Provides individual divide by 8 recovered clocks (19.44 MHz) for each channel.
- Provides individual 8KHz receive frame pulses for each channel.

1.3 The Receive ATM Processor

- Extracts ATM cells from the received STS-3c (STM-1) synchronous payload envelope using ATM cell delineation.
- Provides ATM cell payload de-scrambling.
- Performs header check sequence (HCS) error detection and correction, and idle/unassigned cell filtering.
- Detects Out of Cell Delineation (OCD) and Loss of Cell Delineation (LCD).
- Counts number of received cells, idle cells, errored cells and dropped cells.
- Provides a synchronous 8-bit wide, four cell FIFO buffer.

1.4 The Receive POS Processor

- Generic design that supports packet based link layer protocols, like PPP, HDLC and Frame Relay.
- Performs self synchronous POS data de-scrambling on SPE payload ($x^{43}+1$ polynomial).
- Performs flag sequence detection and terminates the received POS frames.
- Performs frame check sequence (FCS) validation. The POS processor supports the validation of both CRC-CCITT and CRC-32 frame check sequences.
- Performs Control Escape de-stuffing.
- Checks for packet abort sequence.
- Checks for octet aligned packet lengths and for minimum and maximum packet lengths. Automatically deletes short packets (software configurable), and marks those exceeding the maximum length as errored.
- Provides a synchronous 256 byte FIFO buffer accessed through a 16-bit data bus on the POS-PHY System Interface.

1.5 The SONET Transmitter

- Synthesizes the 155.52 MHz transmit clock from a 19.44 MHz reference.
- Provides a differential TTL serial interface (can be adapted to PECL levels) at 155.52 Mbit/s with both line rate data (TXD+/-) and clock (TXC+/-).
- Provides a single transmit frame pulse input across the four channels to align the transport frames to a system reference.
- Provides a single transmit byte clock (divide by eight of the synthesized line rate clock) to provide a timing reference for the transmit outputs.
- Optionally inserts register programmable APS (K1, K2) and synchronization status (S1) bytes.
- Optionally inserts path alarm indication signal (PAIS), path remote defect indication (PRDI), line alarm indication signal (LAIS) and line remote defect indication (LRDI).
- Inserts path BIP-8 codes (B3), path far end block error (G1) indications, line BIP-24 codes (B2), line far end block error (M1) indications, and section BIP-8 codes (B1) to allow performance monitoring at the far end.
- Optionally inserts the section and line data communication channels (D1-D3 or D4-12) via a 192 kbit/s (D1-D3) and 576 kbit/s (D4-D12) serial stream.
- Optionally inserts the 16 or 64 byte section trace (J0) sequence and the 16 or 64 byte path trace (J1) sequence from internal register banks.
- Scrambles the transmitted STS-3c (STM-1) stream and inserts the framing bytes (A1,A2).
- Inserts ATM cells or POS frames into the transmitted STS-3c (STM-1) synchronous payload envelope.

1.6 The Transmit ATM Processor

- Provides idle/unassigned cell insertion.
- Provides HCS generation/insertion, and ATM cell payload scrambling.
- Counts number of transmitted and idle cells.

- Provides a synchronous 8-bit wide, four cell FIFO buffer.

1.7 The Transmit POS Processor

- Generic design that supports any packet based link layer protocol, like PPP, HDLC and Frame Relay.
- Performs self synchronous POS data scrambling ($X^{43} + 1$ polynomial).
- Encapsulates packets within a POS frame.
- Performs flag sequence insertion.
- Performs byte stuffing for transparency processing.
- Performs frame check sequence generation. The POS processor supports the generation of both CRC-CCITT and CRC-32 frame check sequences.
- Aborts packets under the direction of the host or when the FIFO underflows.
- Provides a synchronous 256 byte FIFO buffer accessed through the 16-bit data bus on the POS-PHY System Interface.

2 APPLICATIONS

- WAN and edge ATM switches.
- LAN switches and hubs.
- Packet switches and hubs.
- Layer 3 switches.
- Multiservice switches (FR, ATM, IP, etc..).
- Gigabit and Terabit routers.

3 REFERENCES

- Bell Communications Research - GR-253-CORE "SONET Transport Systems: Common Generic Criteria", Issue 2, December 1995.
- Bell Communications Research - GR-436-CORE "Digital Network Synchronization Plan", Issue 1 Revision 1, June 1996..
- ITU-T Recommendation G.703 - "Physical/Electrical Characteristics of Hierarchical Digital Interfaces", 1991.
- ITU-T Recommendation G.704 - "General Aspects of Digital Transmission Systems; Terminal Equipment - Synchronous Frame Structures Used At 1544, 6312, 2048, 8488 and 44 736 kbit/s Hierarchical Levels", July, 1995.
- ITU, Recommendation G.707 - "Network Node Interface For The Synchronous Digital Hierarchy", 1996.
- ITU Recommendation G781, "Structure of Recommendations on Equipment for the Synchronous Design Hierarchy (SDH)", January 1994.
- ITU, Recommendation G.783 - "Characteristics of Synchronous Digital Hierarchy (SDH) Equipment Functional Blocks", 1996.
- ITU Recommendation I.432, "ISDN User Network Interfaces", March 93.
- ATM Forum - ATM User-Network Interface Specification, V3.1, October, 1995.
- ATM Forum - "UTOPIA, An ATM PHY Interface Specification, Level 2, Version 1", June, 1995.
- IETF Network Working Group – RFC-1619 "Point to Point Protocol (PPP) over SONET/SDH Specification", May 1994.
- IETF Network Working Group - RFC-1661 "The Point to Point Protocol (PPP)", July 1994.
- IETF Network Working Group - RFC-1662 "PPP in HDLC like framing", July 1994.
- PMC-971147 "Saturn Compliant Interface for Packet over SONET Physical Layer and Link Layer Devices, Level 2", Issue 3, February 1998.

- PMC-950820 “SONET/SDH Bit Error Threshold Monitoring Application Note”, Issue 2, September 1998.

4 DEFINITIONS

The following table defines the abbreviations for the S/UNI-TETRA.

AIS	Alarm Indication Signal
APS	Automatic Protection Switching
ASSP	Application Specific Standard Product
ATM	Asynchronous Transfer Mode
BER	Bit Error Rate
BIP	Byte Interleaved Parity
CBI	Common Bus Interface
CMOS	Complementary Metal Oxide Semiconductor
CRC	Cyclic Redundancy Check
CRSI	CRU and Serial-In Parallel-Out
CRU	Clock Recovery Unit
CSPI	CSU and Parallel-In Serial-Out
CSU	Clock Synthesis Unit
DCC	Data Communication Channel
ECL	Emitter Controlled Logic
ERDI	Enhanced Remote Defect Indication
ESD	Electrostatic Discharge
FCS	Frame Check Sequence
FEBE	Far-End Block Error
FIFO	First-In First-Out
GFC	Generic Flow Control
HCS	Header Check Sequence
HDLC	High-level Data Link Layer
LAN	Local Area Network
LCD	Loss of Cell Delineation

LOF	Loss of Frame
LOH	Line Overhead
LOP	Loss of Pointer
LOS	Loss of Signal
NC	No Connect, indicates an unused pin
NDF	New Data Flag
NNI	Network-Network Interface
ODL	Optical Data Link
OOF	Out of Frame
PECL	Pseudo-ECL
PLL	Phase-Locked Loop
POS	Packet Over SONET
PPP	Point-to-Point Protocol
PSL	Path Signal Label
PSLM	Path Signal Label Mismatch
RASE	Receive APS, Synchronization Extractor and Bit Error Monitor
RDI	Remote Defect Indication
RLOP	Receive Line Overhead Processor
RPOP	Receive Path Overhead Processor
RSOP	Receive Section Overhead Processor
RXCP	Receive ATM Cell Processor
RXFP	Receive POS Frame Processor
SBGA	Super Ball Grid Array
SD	Signal Degrade
SDH	Synchronous Digital Hierarchy
SF	Signal Fail
SOH	Section Overhead
SONET	Synchronous Optical Network
SPE	Synchronous Payload Envelope

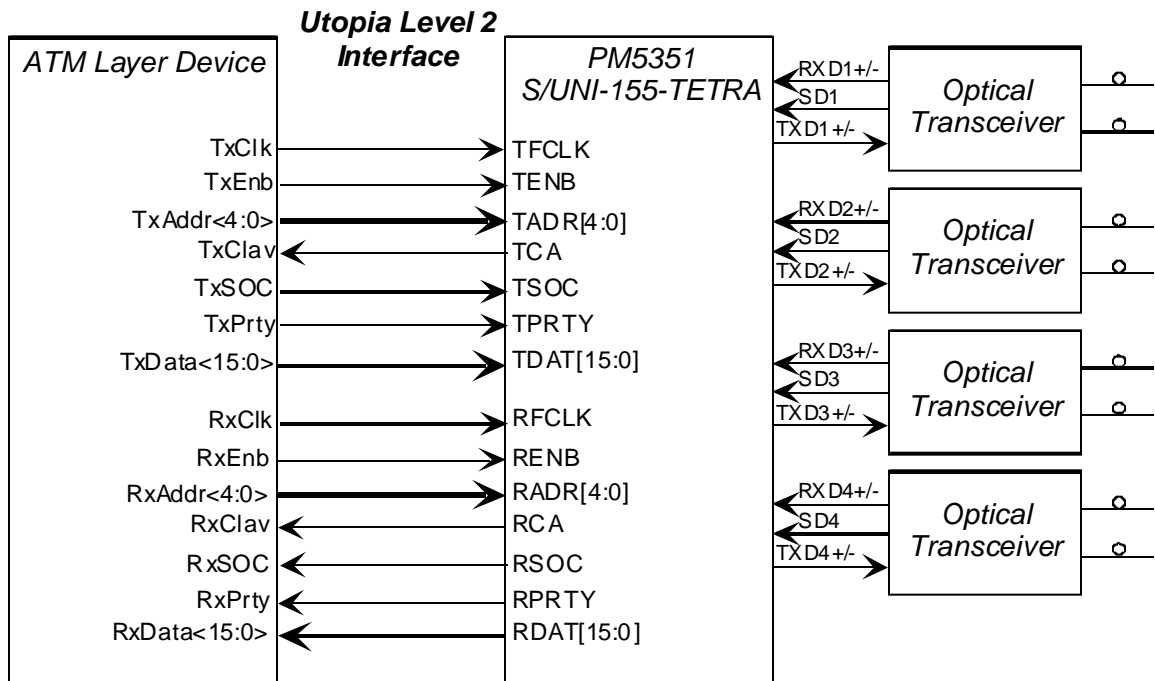
SPTB	SONET/SDH Path Trace Buffer
SSTB	SONET/SDH Section Trace Buffer
TIM	Trace Identifier Mismatch
TIU	Trace Identifier Unstable
TLOP	Transmit Line Overhead Processor
TOH	Transport Overhead
TPOP	Transmit Path Overhead Processor
TSB	Telecom System Block
TSOP	Transmit Section Overhead Processor
TXCP	Transmit ATM Cell Processor
TXFP	Transmit POS Frame Processor
UI	Unit Interval
UNI	User-Network Interface
VCI	Virtual Connection Indicator
VCXO	Voltage Controlled Oscillator
VPI	Virtual Path Indicator
WAN	Wide Area Network
XOR	Exclusive OR logic operator

5 APPLICATION EXAMPLES

The PM5351 S/UNI-TETRA is intended for use in equipment implementing Asynchronous Transfer Mode (ATM) User-Network Interfaces (UNI), ATM Network-Network Interfaces (NNI), as well as Packet over SONET/SDH (POS) interfaces. The POS interface can be used to support several packet based protocols, including the Point-to-Point Protocol (PPP). The S/UNI-TETRA may find application at either end of switch-to-switch links or switch-to-terminal links, both in public network (WAN) and private network (LAN) situations. The S/UNI-TETRA provides a comprehensive feature set as well as provides circuitry to enable full compliance to WAN synchronization requirements. The S/UNI-TETRA performs the mapping of either ATM cells or POS frames into the SONET/SDH STS-3c (STM-1) synchronous payload envelope (SPE) and processes applicable SONET/SDH section, line and path overhead.

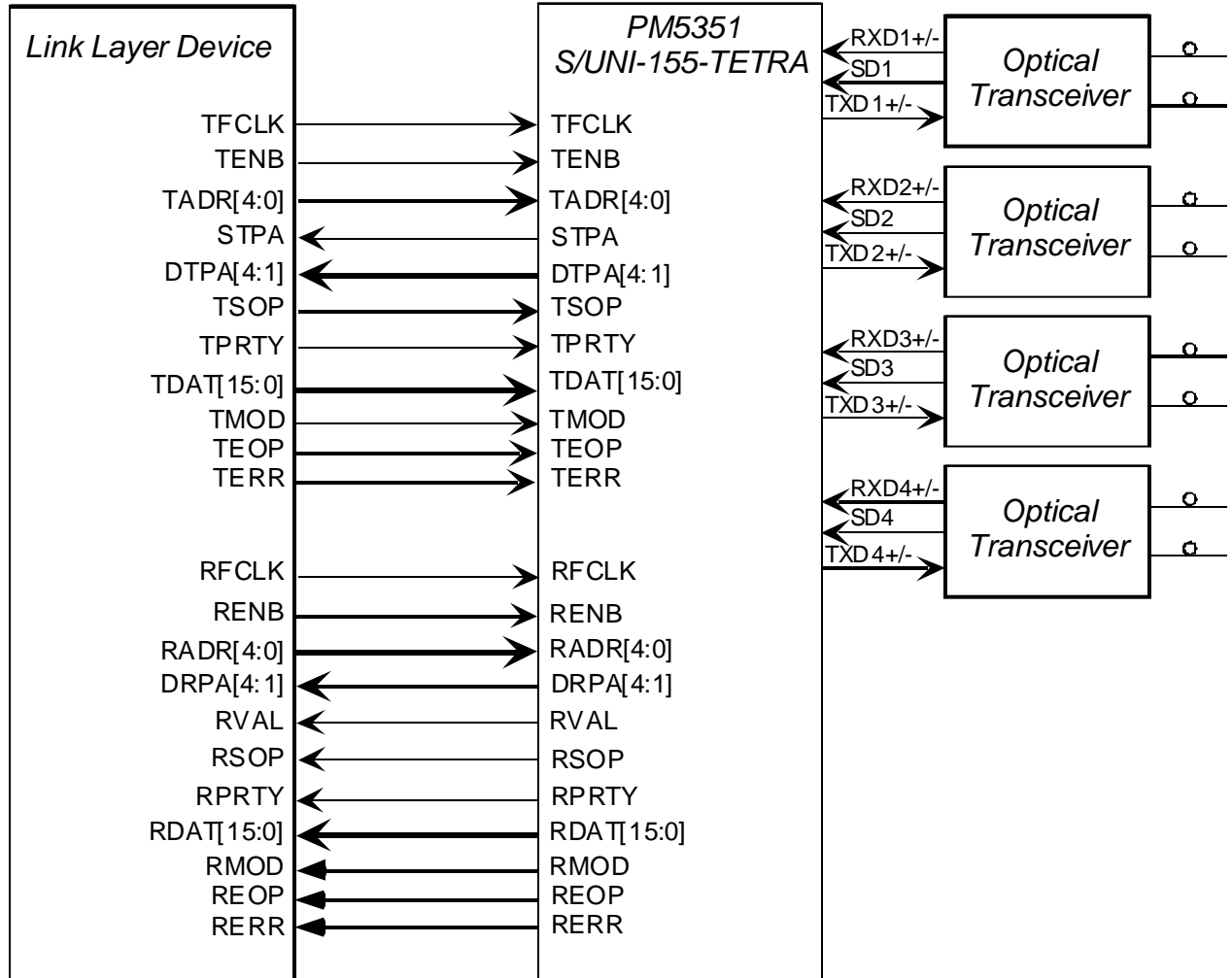
In a typical STS-3c (STM-1) ATM application, the S/UNI-TETRA performs clock and data recovery for the receive direction and clock synthesis for the transmit direction of the line interface. On the system side, the S/UNI-TETRA interfaces directly with ATM layer processors and switching or adaptation functions using a Utopia Level 2 compliant synchronous FIFO style interface. The initial configuration and ongoing control and monitoring of the S/UNI-TETRA are normally provided via a generic microprocessor interface. This application is shown in Figure 1.

Figure 1: Typical STS-3c (STM-1) ATM Switch Port Application

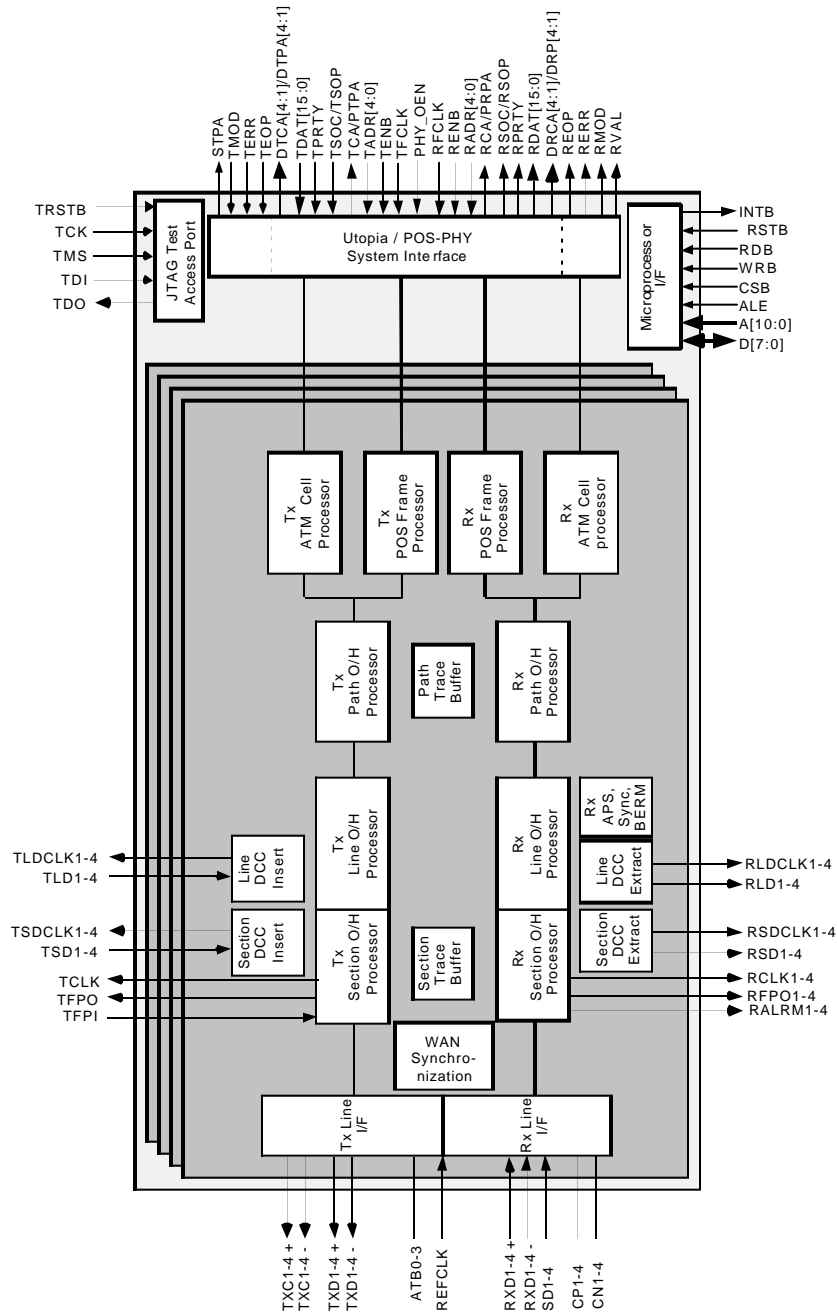


In a typical Packet over SONET/SDH application, using the PPP protocol, the S/UNI-TETRA performs clock and data recovery for the receive direction and clock synthesis for the transmit direction of the line interface. On the system side, the S/UNI-TETRA interfaces directly with a PPP link layer processors using a 256 byte synchronous FIFO interface over which packets are transferred. The initial configuration and ongoing control and monitoring of the S/UNI-TETRA are normally provided via a generic microprocessor interface. This application is shown in Figure 2.

Figure 2: Typical STS-3c (STM-1) Packer over SONET/SDH (PPP) Application



6 BLOCK DIAGRAM



7 DESCRIPTION

The PM5351 S/UNI-TETRA SATURN User Network Interface is a monolithic integrated circuit that implements four channel SONET/SDH processing, ATM mapping and Packet over SONET/SDH mapping functions at the STS-3c (STM-1) 155.52 Mbit/s rate.

The S/UNI-TETRA receives SONET/SDH streams using a bit serial interface, recovers the clock and data and processes section, line, and path overhead. It performs framing (A1, A2), de-scrambling, detects alarm conditions, and monitors section, line, and path bit interleaved parity (B1, B2, B3), accumulating error counts at each level for performance monitoring purposes. Line and path far end block error indications (M1, G1) are also accumulated. The S/UNI-TETRA interprets the received payload pointers (H1, H2) and extracts the synchronous payload envelope which carries the received ATM cell or POS packet payload.

When used to implement an ATM UNI or NNI, the S/UNI-TETRA frames to the ATM payload using cell delineation. HCS error correction is provided. Idle/unassigned cells may be dropped according to a programmable filter. Cells are also dropped upon detection of an uncorrectable header check sequence error. The ATM cell payloads are descrambled. The ATM cells that are passed are written to a four cell FIFO buffer. The received cells are read from the FIFO using a 16-bit wide Utopia level 2 compliant datapath interface. Counts of received ATM cell headers that are errored and uncorrectable and also those that are errored and correctable are accumulated independently for performance monitoring purposes.

When used to implement packet transmission over a SONET/SDH link, the S/UNI-TETRA extracts Packet over SONET/SDH (POS) frames from the SONET/SDH synchronous payload envelope. Frames are verified for correct construction and size. The Control Escape characters are removed. The error check sequence is optionally verified for correctness and the extracted packets are placed in a receive FIFO. The received packets are read from the FIFO through the system side interface. Valid and errored packet counts are provided for performance monitoring. The S/UNI-TETRA Packet over SONET/SDH implementation is flexible enough to support several link layer protocols, including HDLC, PPP and Frame Relay.

The S/UNI-TETRA transmits SONET/SDH streams using a bit serial interface and formats section, line, and path overhead appropriately. It synthesizes the transmit clock from a lower frequency reference and performs framing pattern insertion (A1, A2), scrambling, alarm signal insertion, and creates section, line, and path bit interleaved parity (B1, B2, B3) as required to allow performance

monitoring at the far end. Line and path far end block error indications (M1, G1) are also inserted. The S/UNI-TETRA generates the payload pointer (H1, H2) and inserts the synchronous payload envelope which carries the ATM cell or POS frame payload. Line and Section DCC ports are available for direct insertion and extraction of DCC data. The S/UNI-TETRA also supports the insertion of a large variety of errors into the transmit stream, such as framing pattern errors, bit interleaved parity errors, and illegal pointers, which are useful for system diagnostics and tester applications.

When used to implement an ATM UNI or NNI, ATM cells are written to an internal four cell FIFO using a 16-bit wide Utopia Level 2 datapath interface. Idle/unassigned cells are automatically inserted when the internal FIFO contains less than one cell. The S/UNI-TETRA provides generation of the header check sequence and scrambles the payload of the ATM cells. Each of these transmit ATM cell processing functions can be enabled or bypassed.

When used to implement a Packet over SONET/SDH link, the S/UNI-TETRA inserts POS frames into the SONET/SDH synchronous payload envelope. Packets to be transmitted are written into a 256-byte FIFO through the POS-PHY System Interface. POS Frames are built by inserting the flags, Control Escape characters and the FCS fields. Either the CRC-CCITT or CRC-32 can be computed and added to the frame. Several counters are provided for performance monitoring.

No line rate clocks are required directly by the S/UNI-TETRA as it synthesizes the transmit clock and recovers the receive clock using a 19.44 MHz reference clock. The S/UNI-TETRA outputs a differential TTL (externally converted to PECL) line data (TXD+/-). Optionally, the S/UNI-TETRA can also output a differential TTL (externally converted to PECL) transmit line rate clock (TXC+/-). The S/UNI-TETRA also provides a WAN Synchronization controller that can be used to control an external VCXO in order to fully meet Bellcore GR-253-CORE jitter, wander, holdover and stability requirements.

The S/UNI-TETRA is configured, controlled and monitored via a generic 8-bit microprocessor bus interface. The S/UNI-TETRA also provides a standard 5 signal IEEE 1149.1 JTAG test port for boundary scan board test purposes.

The S/UNI-TETRA is implemented in low power, +3.3 Volt, CMOS technology. It has TTL and pseudo-ECL (PECL) compatible inputs and TTL/CMOS compatible outputs and is packaged in a 304 pin SBGA package.

8 PIN DIAGRAM

The S/UNI-TETRA is available in a 304 pin SBGA package having a body size of 31 mm by 31 mm and a ball pitch of 1.27 mm.

	23	22	21	20	19	18	17	16	15	14	13	12	11	10	9	8	7	6	5	4	3	2	1	
A	VDD	VSS	TDAT[12]	TDAT[15]	PHY_OEN	VSS	D[2]	VSS	A[0]	A[3]	A[7]	VSS	A[10]	WRB	TDO	VSS	NC	VSS	NC	RAVD1_E	RAVS1_B	VSS	VDD	
B	VSS	VDD	VSS	TDAT[13]	STPA	NC	D[1]	D[4]	D[6]	A[2]	A[6]	A[9]	CSB	RSTB	TMS	TCK	NC	NC	QAVS_5	C1+	VSS	VDD	VSS	
C	TDAT[7]	VSS	VDD	TDAT[10]	TDAT[14]	TEOP	BIAS	D[3]	D[5]	A[1]	A[5]	A[8]	ALE	INTB	TRSTB	NC	NC	QAVD_5	C1-	RAVD1_C	VDD	VSS	TXD1P	
D	TDAT[4]	TDAT[8]	TDAT[9]	VDD	TDAT[11]	VDD	TERR	D[0]	VDD	D[7]	A[4]	VDD	RDB	TDI	VDD	NC	NC	VDD	RAVS1_C	VDD	TXC1P	TXD1N	RX1-	
E	TDAT[0]	TDAT[3]	TDAT[5]	TDAT[8]																	TXC1N	SD1	RX1+	TXD2P
F	VSS	TMOD	TDAT[2]	VDD																	VDD	RAVS1_A	TXD2N	VSS
G	TADR[0]	TADR[2]	TADR[4]	TDAT[1]																	RAVD1_A	TXC2P	RX2-	RX2+
H	VSS	TPRTY	TADR[1]	TADR[3]																	TXC2N	RAVS2_A	RAVD2_A	VSS
J	TCA / PTPA	TENB	TSOC / TSOP	VDD																	VDD	SD2	NC	RAVD2_C
K	DTCA[3] / DTPA[3]	DTCA[4] / DTPA[4]	BIAS	TFCLK																	RAVS2_C	RAVS2_B	C2+	C2-
L	REOP	RERR	DTCA[1] / DTPA[1]	DTCA[2] / DTPA[2]																	RAVD2_B	TAVD1_A	TAVS1_A	TAVD1_B
M	VSS	RVAL	DRCA[4] / DRPA[4]	VDD																	VDD	TAVS1_B	RAVD3_B	VSS
N	DRCA[3] / DRPA[3]	DRCA[2] / DRPA[2]	DRCA[1] / DRPA[1]	RCA / PRPA																	RAVD3_C	RAVS3_B	C3+	C3-
P	RSOC / RSOP	RENB	RFCLK	RADR[3]																	ATB2	ATB1	ATB0	RAVS3_C
R	RADR[4]	RADR[2]	RADR[1]	VDD																	VDD	TXC3N	TXC3P	ATB3
T	VSS	RADR[0]	RPRTY	RDAT[13]																	RAVS3_A	NC	TXD3P	VSS
U	RDAT[15]	RDAT[14]	RDAT[12]	RDAT[9]																	TXC4P	SD3	RAVD3_A	TXD3N
V	VSS	RDAT[11]	RDAT[8]	VDD																	VDD	TXC4N	RX3-	VSS
W	RDAT[10]	RDAT[7]	RDAT[5]	RDAT[2]																	RAVS4_A	SD4	TXD4P	RX3+
Y	RDAT[6]	RDAT[4]	RDAT[1]	VDD	RMOD	VDD	RLDCLK2	RSD2	VDD	RALRM3	RCLK2	VDD	TLDCLK3	TSDCLK2	VDD	TSD3	TFPI	VDD	RAVS4_C	VDD	RAVD4_A	RX4-	TXD4N	
AA	RDAT[3]	VSS	VDD	RDAT[0]	RSDCLK2	RLDCLK3	RSD3	RLD4	RLD1	RALRM1	RCLK1	RFPO1	TLDCLK4	TSDCLK4	TLD4	TLD2	TSD2	QAVD_1	C4-	RAVD4_C	VDD	VSS	RX4+	
AB	VSS	VDD	VSS	RSDCLK3	RLDCLK4	RSD4	RSD1	RLD2	RALRM4	RCLK4	RFPO4	RFPO2	TFPO	TLDCLK1	TSDCLK1	TLD3	TSD4	TSD1	QAVS_1	C4+	VSS	VDD	VSS	
AC	VDD	VSS	RSDCLK4	RLDCLK1	RLDCLK1	VSS	RLD3	VSS	RALRM2	RCLK3	RFPO3	VSS	TCLK	TLDCLK2	TSDCLK3	VSS	TLD1	VSS	REFCLK	RAVD4_B	RAVS4_B	VSS	VDD	

BOTTOM VIEW

9 PIN DESCRIPTION

9.1 Line Side Interface Signals

Pin Name	Type	Pin No.	Function
REFCLK	Input	AC5	<p>The reference clock input (REFCLK) must provide a jitter-free 19.44 MHz reference clock. It is used as the reference clock by both clock recovery and clock synthesis circuits.</p> <p>When the WAN Synchronization controller is used, REFCLK is supplied using a VCXO. In this application, the transmit direction can be looped timed to any of the line receivers in order to meet wander transfer and holdover requirements.</p> <p>This pin is shared by all channels.</p>
RXD1+ RXD1- RXD2+ RXD2- RXD3+ RXD3- RXD4+ RXD4-	Differential PECL inputs	E2 D1 G1 G2 W1 V2 AA1 Y2	<p>The receive differential data inputs (RXD+, RXD-) contain the NRZ bit serial receive stream. The receive clock is recovered from the RXD+/- bit stream. Please refer to the Operation section for a discussion of PECL interfacing issues and for the PECL voltage level selection through PECLV for 5V ODL interface.</p> <p>This pin is available independently for each channel.</p>

Pin Name	Type	Pin No.	Function
SD1 SD2 SD3 SD4	Single-Ended PECL Input	E3 J3 U3 W3	<p>The Signal Detect pin (SD) indicates the presence of valid receive signal power from the Optical Physical Medium Dependent Device. A PECL high indicates the presence of valid data and a PECL low indicates a loss of signal. It is mandatory that SD be terminated into the equivalent network that RXD+/- is terminated into.</p> <p>SD input is compared to the common mode of the receive data line (RXD+/-). It is also assumed SD will be driven by a low impedance PECL voltage source coming from the same source as the RXD+/- signals</p> <p>This pin is available independently for each channel.</p>
RCLK1 RCLK2 RCLK3 RCLK4	Output	AA13 Y13 AC14 AB14	<p>The receive byte clock (RCLK) provides a timing reference for the S/UNI-TETRA receive outputs. RCLK is a divide by eight of the recovered line rate clock (19.44 MHz).</p> <p>This pin is available independently for each channel.</p>
RFPO1 RFPO2 RFPO3 RFPO4	Output	AA12 AB12 AC13 AB13	<p>The Receive Frame Pulse Output (RFPO), when the framing alignment is found (the OOF register bit is logic zero), is an 8 kHz signal derived from the receive line clock. RFPO pulses high for one RCLK cycle every 2430 RCLK cycles (STS-3c (STM-1)). RFPO is updated on the rising edge of RCLK.</p> <p>This pin is available independently for each channel.</p>

Pin Name	Type	Pin No.	Function
RALRM1 RALRM2 RALRM3 RALRM4	Output	AA14 AC15 Y14 AB15	<p>The Receive Alarm (RALRM) output indicates the state of the receive framing. RALRM is low if no receive alarms are active. RALRM is high if line AIS (LAIS), path AIS (PAIS), line RDI (LRDI), path RDI (PRDI), enhanced path RDI (PERDI), loss of signal (LOS), loss of frame (LOF), out of frame (OOF), loss of pointer (LOP), loss of cell delineation (LCD), signal fail BER (SFBER), signal degrade BER (SDBER), path trace identification mismatch (TIM), path signal label mismatch (PSLM) is detected in the associated channel. Each alarm can be individually enabled using bits in the S/UNI-TETRA Channel Alarm Control registers #1 and #2.</p> <p>RALRM is updated on the rising edge of RCLK.</p> <p>This pin is available independently for each channel.</p>
TXD1+ TXD1- TXD2+ TXD2- TXD3+ TXD3- TXD4+ TXD4-	Differential TTL output (externally converted to PECL)	C1 D2 E1 F2 T2 U1 W2 Y1	<p>The transmit differential data outputs (TXD+, TXD-) contain the 155.52 Mbit/s transmit stream.</p> <p>This pin is available independently for each channel.</p>
TXC1+ TXC1- TXC2+ TXC2- TXC3+ TXC3- TXC4+ TXC4-	Differential TTL output (externally converted to PECL)	D3 E4 G3 H4 R2 R3 U4 V3	<p>The transmit differential clock outputs (TXC+, TXC-) contain the 155.52 Mbit/s transmit clock.</p> <p>TXC+/- must be enabled by setting the TXC_OE register bit to logic one. Enabling the transmit line clocks significantly increases the device power consumption and will likely require airflow. Most optic modules don't require TXC+/-.</p> <p>TXD+/- is updated on the falling edge of TXC+/-.</p> <p>This pin is available independently for each channel.</p>

Pin Name	Type	Pin No.	Function
TFPI	Input	Y7	<p>The active high framing position (TFPI) signal is an 8 kHz timing marker for the transmitter. TFPI is used to align the SONET/SDH transport frame generated by the S/UNI-TETRA device to a system reference. TFPI is internally used to align a master frame pulse counter. When TFPI is not used, this counter is free-running.</p> <p>TFPI should be brought high for a single TCLK period every 2430 (STS-3c (STM-1)) TCLK cycles, or a multiple thereof. TFPI shall be tied low if such synchronization is not required. TFPI cannot be used as an input to a loop-timed channel. For TFPI to operate correctly it is required that the TCLK/TFPO output be configured to output the CSU byte clock.</p> <p>The TFPI_EN register bits allow to individually configure each channel to use the global framing pulse counter and TFPI for framing alignment.</p> <p>TFPI is sampled on the rising edge of TCLK, but only when the TTSEL register bit is set to logic zero. When TTSEL is set to logic one, TFPI is unused.</p> <p>This pin is shared by all channels.</p>
TCLK	Output	AC11	<p>The transmit byte clock (TCLK) output provides a timing reference for the S/UNI-TETRA self-timed channels. TCLK always provide a divide by eight of the synthesized line rate clock and thus has a nominal frequency of 19.44 MHz. TFPI is sampled on the rising edge of TCLK. TCLK does not apply to internally loop-timed channels, in which case the channel's RCLK provides transmit timing information.</p>

Pin Name	Type	Pin No.	Function
TFPO	Output	AB11	The Transmit Frame Pulse Output (TFPO) pulses high for one TCLK cycle every 2430 TCLK cycles and provides an 8 KHz timing reference. TFPO can be assigned to any of the four channels using TFPO_CH[1:0] configuration register bits, with the restriction that the selected channel must be self-timed (not in loop-timed or line-loopback modes). TFPO is updated on the rising edge of TCLK.

9.2 Section and Line Status DCC Signals

Pin Name	Type	Pin No.	Function
RSD1 RSD2 RSD3 RSD4	Output	AB17 Y16 AA17 AB18	The receive section DCC (RSD) signal contains the section data communications channel (D1-D3) This pin is available independently for each channel.
RSDCLK1 RSDCLK2 RSDCLK3 RSDCLK4	Output	AC20 AA19 AB20 AC21	The receive section DCC clock (RSDCLK) is used to clock out the section DCC. RSDCLK is a 192 kHz clock used to update the RSD output. RSDCLK is generated by gapping a 216 kHz clock. This pin is available independently for each channel.
TSD1 TSD2 TSD3 TSD4	Input	AB6 AA7 Y8 AB7	The transmit section DCC (TSD) signal contains the section data communications channel (D1-D3). TSD is sampled on the rising edge of TSDCLK. This pin is available independently for each channel.

Pin Name	Type	Pin No.	Function
TSDCLK1 TSDCLK2 TSDCLK3 TSDCLK4	Output	AB9 Y10 AC9 AA10	<p>The transmit section DCC clock (TSDCLK) is used to clock in the section DCC.</p> <p>TSDCLK is a 192 kHz clock used to sample the TSD input. TSDCLK is generated by gapping a 216 kHz clock.</p> <p>This pin is available independently for each channel.</p>
RLD1 RLD2 RLD3 RLD4	Output	AA15 AB16 AC17 AA16	<p>The receive line DCC (RLD) signal contains the line data communications channel (D4-D12).</p> <p>This pin is available independently for each channel.</p>
RLDCLK1 RLDCLK2 RLDCLK3 RLDCLK4	Output	AC19 Y17 AA18 AB19	<p>The receive line DCC clock (RLDCLK) is used to clock out the line DCC.</p> <p>RLDCLK is a 576 kHz clock used to update the RLD output. RLDCLK is generated by gapping a 2.16 MHz clock.</p> <p>This pin is available independently for each channel.</p>
TLD1 TLD2 TLD3 TLD4	Input	AC7 AA8 AB8 AA9	<p>The transmit line DCC (TLD) signal contains the line data communications channel (D4-D12).</p> <p>TLD is sampled on the rising edge of TLDCLK.</p> <p>This pin is available independently for each channel.</p>
TLDCLK1 TLDCLK2 TLDCLK3 TLDCLK4	Output	AB10 AC10 Y11 AA11	<p>The transmit line DCC clock (TLDCLK) is used to clock in the line DCC.</p> <p>TLDCLK is a 576 kHz clock used to sample the TLD input. TLDCLK is generated by gapping a 2.16 MHz clock.</p> <p>This pin is available independently for each channel.</p>

9.3 ATM (UTOPIA) and Packet over SONET (POS-PHY) System Interface

Pin Name	Type	Pin No.	Function
TDAT[15] TDAT[14] TDAT[13] TDAT[12] TDAT[11] TDAT[10] TDAT[9] TDAT[8] TDAT[7] TDAT[6] TDAT[5] TDAT[4] TDAT[3] TDAT[2] TDAT[1] TDAT[0]	Input (ATM)	A20 C19 B20 A21 D19 C20 D21 E20 C23 D22 E21 D23 E22 F21 G20 E23	UTOPIA Transmit Cell Data Bus (TDAT[15:0]). This data bus carries the ATM cell octets that are written to the selected transmit FIFO. TDAT[15:0] is considered valid only when TENB is simultaneously asserted and the S/UNI-TETRA is selected via TADR[4:0]. TDAT[15:0] is sampled on the rising edge of TFCLK.
TDAT[15] TDAT[14] TDAT[13] TDAT[12] TDAT[11] TDAT[10] TDAT[9] TDAT[8] TDAT[7] TDAT[6] TDAT[5] TDAT[4] TDAT[3] TDAT[2] TDAT[1] TDAT[0]	Input (POS)	A20 C19 B20 A21 D19 C20 D21 E20 C23 D22 E21 D23 E22 F21 G20 E23	POS-PHY Transmit Packet Data Bus (TDAT[15:0]). This data bus carries the POS packet octets that are written to the selected transmit FIFO. TDAT[15:0] is considered valid only when TENB is simultaneously asserted and the S/UNI-TETRA is selected via TADR[4:0]. TDAT[15:0] is sampled on the rising edge of TFCLK.

Pin Name	Type	Pin No.	Function
TPRTY	Input (ATM)	H22	<p>UTOPIA Transmit bus parity (TPRTY) signal.</p> <p>The transmit parity (TPRTY) signal indicates the parity of the TDAT[15:0] bus. A parity error is indicated by a status bit and a maskable interrupt. Cells with parity errors are inserted in the transmit stream, so the TPRTY input may be unused. Odd or even parity selection is made independently for each channel using the RXPTYP register bit.</p> <p>TPRTY is considered valid only when TENB is simultaneously asserted and the S/UNI-TETRA is selected via TADR[4:0].</p> <p>TPRTY is sampled on the rising edge of TFCLK.</p>
TPRTY	Input (POS)	H22	<p>POS-PHY Transmit bus parity (TPRTY) signal.</p> <p>The transmit parity (TPRTY) signal indicates the parity of the TDAT[15:0] bus. A parity error is indicated by a status bit and a maskable interrupt. Packets with parity errors are inserted in the transmit stream, so the TPRTY input may be unused. Odd or even parity selection is made independently for each channel using the RXPTYP register bit. TPRTY is considered valid only when TENB is simultaneously asserted and the S/UNI-TETRA is selected via TADR[4:0].</p> <p>TPRTY is sampled on the rising edge of TFCLK</p>
TSOC	Input (ATM)	J21	<p>UTOPIA Transmit Start of Cell (TSOC) signal.</p> <p>The transmit start of cell (TSOC) signal marks the start of cell on the TDAT bus. When TSOC is high, the first word of the cell structure is present on the TDAT bus. It is not necessary for TSOC to be present for each cell. An interrupt may be generated if TSOC is high during any word other than the first word of the cell structure.</p> <p>TSOC is considered valid only when TENB is simultaneously asserted and the S/UNI-TETRA is selected via TADR[4:0].</p> <p>TSOC is sampled on the rising edge of TFCLK.</p>

Pin Name	Type	Pin No.	Function
TSOP	Input (POS)	J21	<p>POS-PHY Transmit Start of Packet (TSOP) signals. TSOP indicates the first word of a packet. TSOP is required to be present at the beginning of every packet for proper operation.</p> <p>TSOP is considered valid only when TENB is simultaneously asserted and the S/UNI-TETRA is selected via TADR[4:0].</p> <p>TSOP is sampled on the rising edge of TFCLK.</p>
TENB	Input (ATM)	J22	<p>UTOPIA Transmit Multi-PHY Write Enable (TENB) signal.</p> <p>The TENB signal is an active low input which is used along with the TADR[4:0] inputs to initiate writes to the transmit FIFO's.</p> <p>TENB works as follows. When sampled high, no write is performed, but the TADR[4:0] address is latched to identify the transmit FIFO to be accessed. When TENB is sampled low, the word on the TDAT bus is written into the transmit FIFO that is selected by the TADR[4:0] address bus. A complete 53 octet cell must be written to the transmit FIFO before it is inserted into the transmit stream. Idle cells are inserted when a complete cell is not available. While TENB is deasserted, TADR[4:0] can be used for polling TCA.</p> <p>TENB is sampled on the rising edge of TFCLK.</p>

Pin Name	Type	Pin No.	Function
TENB	Input (POS)	J22	<p>POS-PHY Transmit Multi-PHY Write Enable (TENB) signal.</p> <p>The S/UNI-TETRA supports both byte-level and packet-level transfer. Packet-level transfer operates in a similar fashion to Utopia, with a selection phase when TENB is deasserted and a transfer phase when TENB is asserted. While TENB is asserted, TADR[4:0] is exclusively used for polling PTPA and the currently selected PHY status is provided on STPA. While TENB is deasserted, TADR[4:0] can be used for polling PTPA as well as selecting the next PHY to transfer to. Byte level transfer works on a cycle basis. When TENB is asserted, data is transferred to the selected PHY. Nothing happens when TENB is deasserted. Polling is not available and packet availability is indicated by DTPA[4:1].</p> <p>TENB is sampled on the rising edge of TFCLK.</p>
TADR[4] TADR[3] TADR[2] TADR[1] TADR[0]	Input (ATM)	G21 H20 G22 H21 G23	<p>UTOPIA Transmit Write Address (TADR[4:0]) signals.</p> <p>The TADR[4:0] bus is used to select the FIFO (and hence port) that is written to using the TENB signal and the FIFO's whose cell available signal is visible on the TCA polling output.</p> <p>Note that address 0x1F is the null-PHY address and cannot be assigned to any port on the S/UNI-TETRA.</p> <p>TADR[4:0] is sampled on the rising edge of TFCLK.</p>

Pin Name	Type	Pin No.	Function
TADR[4] TADR[3] TADR[2] TADR[1] TADR[0]	Input (POS)	G21 H20 G22 H21 G23	<p>POS-PHY Transmit Write Address (TADR[4:0]) signals.</p> <p>The TADR[4:0] bus is used to select the FIFO (and hence port) that is written to using the TENB signal. In packet level transfer mode, TADR[4:0] is also used for polling on PTPA.</p> <p>Note that address 0x1F is the null-PHY address and cannot be assigned to any port on the S/UNI-TETRA.</p> <p>TADR[4:0] is sampled on the rising edge of TFCLK.</p>
TCA	Output (ATM)	J23	<p>UTOPIA Transmit multi-PHY Cell Available (TCA)</p> <p>The TCA signal indicates when a cell is available in the transmit FIFO for the port polled by TADR[4:0] when TENB is asserted. When high, TCA indicates that the corresponding transmit FIFO is not full and a complete cell may be written. When TCA goes low, it can be configured to indicate either that the corresponding transmit FIFO is near full or that the corresponding transmit FIFO is full. TCA will transition low on the rising edge of TFCLK after the Payload word 19 (TCALEVEL0=0) or 23 (TCALEVEL0=1) is sampled if the PHY being polled is the same as the PHY in use. To reduce FIFO latency, the FIFO depth at which TCA indicates "full" can be set to one, two, three or four cells. Note that regardless of what fill level TCA is set to indicate "full" at, the transmit cell processor can store 4 complete cells.</p> <p>TCA is tri-stated when either the null-PHY address (0x1F) or an address not matching the address space set by PHY_ADR[2:0] is latched from the TADR[4:0] inputs when TENB is high.</p> <p>TCA is updated on the rising edge of TFCLK.</p>

Pin Name	Type	Pin No.	Function
PTPA		J23	<p>POS-PHY Polled Transmit multi-PHY Packet Available (PTPA).</p> <p>PTPA transitions high when a programmable minimum number of bytes is available in the polled transmit FIFO (TPAHWM[7:0] register bits). Once high, PTPA indicates that the transmit FIFO is not full. When PTPA transitions low, it optionally indicates that the transmit FIFO is full or near full (TPALWM[7:0] register bits). PTPA allows to poll the PHY address selected by TADR[4:0] when TENB is asserted.</p> <p>PTPA is tri-stated when either the null-PHY address (0x1F) or an address not matching the address space set by PHY_ADR[2:0] is latched from the TADR[4:0] inputs when TENB is high.</p> <p>PTPA is only available in POS-PHY packet-level transfer mode, as selected by the POS_PLVL register bit. PTPA is tristated in byte-level transfer mode. PTPA is updated on the rising edge of TFCLK.</p>

Pin Name	Type	Pin No.	Function
STPA	Output (POS)	B19	<p>POS-PHY Selected multi-PHY Transmit Packet Available (STPA) signal.</p> <p>STPA transitions high when a predefined (TPAHWM[7:0] register bits) minimum number of bytes is available in the selected transmit FIFO (the FIFO that data is written into). Once high, STPA indicates that the transmit FIFO is not full. When STPA transitions low, it optionally indicates that the transmit FIFO is full or near full (TPALWM[7:0] register bits). STPA always provide status indication for the selected PHY in order to avoid FIFO overflows while polling is performed.</p> <p>The PHY Layer device shall tristate STPA when TENB is deasserted. STPA shall also be tristated when either the null-PHY address (0x1F) or an address not matching the address space set by PHY_ADR[2:0] is presented on the TADR[4:0] signals when TENB is sampled high (deasserted during the previous clock cycle).</p> <p>STPA is only available in POS-PHY packet-level transfer mode, as selected by the POS_PLVL register bit. STPA is tristated in byte-level transfer mode. STPA is updated on the rising edge of TFCLK.</p>
TFCLK	Input (ATM)	K20	<p>UTOPIA Transmit FIFO Write Clock (TFCLK).</p> <p>This signal is used to write ATM cells to the four cell transmit FIFOs.</p> <p>TFCLK cycles at a 50 MHz or lower instantaneous rate.</p>
TFCLK	Input (POS)	K20	<p>POS-PHY Transmit FIFO Write Clock (TFCLK).</p> <p>This signal is used to write packet octets into the 256 bytes packet FIFO's.</p> <p>TFCLK cycles at a 50 MHz or lower instantaneous rate.</p>

Pin Name	Type	Pin No.	Function
DTCA[4] DTCA[3] DTCA[2] DTCA[1]	Output (ATM)	K22 K23 L20 L21	<p>UTOPIA Direct Transmit Cell Available (DTCA[4:1]).</p> <p>These output signals provide direct status indication of when a cell is available in the transmit FIFO for the corresponding port. When high, DTCA indicates that the corresponding transmit FIFO is not full and a complete cell may be written. When DTCA goes low, it can be configured to indicate either that the corresponding transmit FIFO is near full or that the corresponding transmit FIFO is full. DTCA will transition low on the rising edge of TFCLK after the Payload word 19 (TCALEVEL0=0) or 23 (TCALEVEL0=1) is sampled if the PHY being polled is the same as the PHY in use. To reduce FIFO latency, the FIFO depth at which DTCA indicates "full" can be set to one, two, three or four cells. Note that regardless of what fill level DTCA is set to indicate "full" at, the transmit cell processor can store 4 complete cells</p> <p>DTCA[4:1] are updated on the rising edge of TFCLK.</p>

Pin Name	Type	Pin No.	Function
DTPA[4] DTPA[3] DTPA[2] DTPA[1]	Output (POS)	K22 K23 L20 L21	<p>POS-PHY Direct Transmit Packet Available (DTPA[4:1]).</p> <p>These output signals provide direct status indication of when some programmable number of bytes is available in the transmit FIFO, for the corresponding port. When transitioning high, DTPA indicates that the transmit FIFO has enough room to store data. The transition level is selected by the TXFP Transmit Packet Available Low Water-mark (TPALWM[7:0]) register. When DTPA transitions low, it indicates that the transmit FIFO is either full or near full as selected by the TXFP Transmit Packet Available High Water-mark (TPAHWM[7:0]) register. This last option provides the Link Layer system with some look ahead capability in order to avoid FIFO overruns and smoothly transition between PHY's.</p> <p>DTPA[4:1] are updated on the rising edge of TFCLK.</p>
TMOD	Input (POS)	F22	<p>POS-PHY Transmit Word Modulo (TMOD) signal.</p> <p>TMOD indicates the size of the current word. TMOD is only used during the last word transfer of a packet, at the same time TEOP is asserted. During a packet transfer every word must be complete except the last word, which can be composed of 1 or 2 bytes. TMOD set high indicates a 1-byte word (present on MSB's, LSB's are discarded) while TMOD set low indicates a 2-byte word.</p> <p>TMOD is considered valid only when TENB is simultaneously asserted and the S/UNI-TETRA is selected via TADR[4:0].</p> <p>TMOD is sampled on the rising edge of TFCLK.</p>

Pin Name	Type	Pin No.	Function
TEOP	Input (POS)	C18	<p>POS-PHY Transmit End of Packet (TEOP).</p> <p>The active high TEOP signal marks the end of a packet on the TDAT[15:0] bus. When TEOP is high, the last word of the packet is present on the TDAT[15:0] data bus and TMOD indicates how many bytes this last word is composed of. It is legal to set TSOP high at the same time TEOP is high. This provides support for one or two byte packets, as indicated by the value of TMOD.</p> <p>TEOP is considered valid only when TENB is simultaneously asserted and the S/UNI-TETRA is selected via TADR[4:0].</p> <p>TEOP is sampled on the rising edge of TFCLK.</p>
TERR	Input (POS)	D17	<p>POS-PHY Transmit Error (TERR).</p> <p>The transmit error indicator (TERR) is used to indicate that the current packet must be aborted. TERR should only be asserted during the last word transfer of a packet. Packets marked with TERR will be appended with the abort sequence (0x7D-0x7E) when transmission.</p> <p>TERR is considered valid only when TENB is simultaneously asserted and the S/UNI-TETRA is selected via TADR[4:0].</p> <p>TERR is sampled on the rising edge of TFCLK.</p>

Pin Name	Type	Pin No.	Function
RDAT[15] RDAT[14] RDAT[13] RDAT[12] RDAT[11] RDAT[10] RDAT[9] RDAT[8] RDAT[7] RDAT[6] RDAT[5] RDAT[4] RDAT[3] RDAT[2] RDAT[1] RDAT[0]	Output (ATM)	U23 U22 T20 U21 V22 W23 U20 V21 W22 Y23 W21 Y22 AA23 W20 Y21 AA20	<p>UTOPIA Receive Cell Data Bus (RDAT[15:0]).</p> <p>This data bus carries the ATM cells that are read from the receive FIFO selected by RADR[4:0]. RDAT[15:0] is tri-stated when RENB is high.</p> <p>RDAT[15:0] is tristated when RENB is high. RDAT[15:0] is also tristated when either the null-PHY address (0x1F) or an address not matching the address space is latched from the RADR[4:0] inputs when RENB is high.</p> <p>RDAT[15:0] is updated on the rising edge of RFCLK.</p>
RDAT[15] RDAT[14] RDAT[13] RDAT[12] RDAT[11] RDAT[10] RDAT[9] RDAT[8] RDAT[7] RDAT[6] RDAT[5] RDAT[4] RDAT[3] RDAT[2] RDAT[1] RDAT[0]	Output (POS)	U23 U22 T20 U21 V22 W23 U20 V21 W22 Y23 W21 Y22 AA23 W20 Y21 AA20	<p>POS-PHY Receive Packet Data Bus (RDAT[15:0]).</p> <p>This data bus carries the POS packet octets that are read from the selected receive FIFO. RDAT[15:0] is considered valid only when RVAL is asserted.</p> <p>RDAT[15:0] is tristated when RENB is high. RDAT[15:0] is also tristated when either the null-PHY address (0x1F) or an address not matching the address space is latched from the RADR[4:0] inputs.</p> <p>RDAT[15:0] is updated on the rising edge of RFCLK.</p>

Pin Name	Type	Pin No.	Function
RPRTY	Output (ATM)	T21	<p>UTOPIA Receive Parity (RPRTY).</p> <p>The receive parity (RPRTY) signal indicates the parity of the RDAT bus. RPRTY reflects the parity of RDAT[15:0]. Odd or even parity selection is made independently for every channel by using the RXPTYP register bit (in ATM cell processors, the four RXCP shall be programmed with the same parity setting). RPRTY is tristated when RENB is high. RPRTY is also tristated when either the null-PHY address (0x1F) or an address not matching the address space is latched from the RADR[4:0] inputs when RENB is high.</p> <p>RPRTY is updated on the rising edge of RFCLK.</p>
RPRTY	Output (POS)	T21	<p>POS-PHY Receive Parity (RPRTY).</p> <p>The receive parity (RPRTY) signal indicates the parity of the RDAT bus. Odd or even parity selection is made independently for every channel by using the RXPTYP register bit (in POS Frame Processors; the four RXFP shall be programmed with the same parity setting). RPRTY is tristated when RENB is high. RPRTY is also tristated when either the null-PHY address (0x1F) or an address not matching the address space is latched from the RADR[4:0] inputs.</p> <p>RPRTY is updated on the rising edge of RFCLK.</p>
RSOC	Output (ATM)	P23	<p>UTOPIA Receive Start of Cell (RSOC).</p> <p>RSOC marks the start of cell on the RDAT bus.</p> <p>RSOC is tristated when RENB is deasserted. RSOC is also tristated when either the null-PHY address (0x1F) or an address not matching the address space is latched from the RADR[4:0] inputs when RENB is high.</p> <p>RSOC is sampled on the rising edge of RFCLK.</p>

Pin Name	Type	Pin No.	Function
RSOP	Output (POS)	P23	<p>POS-PHY Receive Start of Packet (RSOP). RSOP marks the first word of a packet transfer.</p> <p>RSOP is tristated when RENB is deasserted. RSOP is also tristated when either the null-PHY address (0x1F) or an address not matching the address space is latched from the RADR[4:0] inputs.</p> <p>RSOP/RSOP is sampled on the rising edge of RFCLK</p>
RENB	Input (ATM)	P22	<p>UTOPIA Receive multi-PHY Read Enable (RENB). The RENB signal is used to initiate reads from the receive FIFO's. RENB works as follows. When RENB is sampled high, no read is performed and RDAT[15:0], RPRTY and RSOC are tristated, and the address on RADR[4:0] is latched to select the device or port for the next FIFO access. When RENB is sampled low, the word on the RDAT bus is read from the selected receive FIFO.</p> <p>RENB must operate in conjunction with RFCLK to access the FIFO's at a high enough rate to prevent FIFO overflows. The system may de-assert RENB at anytime it is unable to accept another byte.</p> <p>RENB is sampled on the rising edge of RFCLK.</p>

Pin Name	Type	Pin No.	Function
RENB	Input (POS)	P22	<p>POS-PHY Receive multi-PHY Read Enable (RENB).</p> <p>The S/UNI-TETRA supports both byte-level and packet-level transfer. Packet-level transfer operates as described above, with a selection phase when RENB is deasserted and a transfer phase when RENB is asserted. While RENB is asserted, RADR[4:0] is exclusively used for polling RPA. While RENB is deasserted, RADR[4:0] can be used for polling RPA as well as selecting the next PHY to transfer from. Byte level transfer works on a cycle basis. When RENB is asserted data is transferred from the selected PHY and RADR[4:0] is used to select the PHY. Nothing happens when RENB is deasserted. Polling is not possible; packet availability is directly indicated by DRPA[4:1].</p> <p>During a data transfer, RVAL shall be monitored since it will indicate if the data is valid. Once RVAL is deasserted, RENB or RADR[4:0] must be used to select a new PHY for data transfer.</p> <p>RENB must operate in conjunction with RFCLK to access the FIFO's at a high enough rate to prevent FIFO overflows. The system may de-assert RENB at anytime it is unable to accept another byte.</p> <p>RENB is sampled on the rising edge of RFCLK.</p>
RADR[4] RADR[3] RADR[2] RADR[1] RADR[0]	Input (ATM)	R23 P20 R22 R21 T22	<p>UTOPIA Receive Read Address (RADR[4:0]).</p> <p>The RADR[4:] signal is used to select the FIFO (and hence port) that is read from using the RENB signal and the FIFO whose cell available signal is visible on the RCA output.</p> <p>Note that address 0x1F is the null-PHY address and will not be identified to any port on the S/UNI-TETRA.</p> <p>RADR[4:0] is sampled on the rising edge of RFCLK.</p>

Pin Name	Type	Pin No.	Function
RADR[4] RADR[3] RADR[2] RADR[1] RADR[0]	Input (POS)	R23 P20 R22 R21 T22	<p>POS-PHY Receive Read Address (RADR[4:0]).</p> <p>The RADR[4:0] signal is used to select the FIFO (and hence port) that is read from using the RENB signal.</p> <p>The RADR[4:0] bus is used to select the FIFO (and hence port) that is written to using the TENB signal and the FIFO's whose packet available signal is visible on the PRPA polling output.</p> <p>Note that address 0x1F is the null-PHY address and will not be identified to any port on the S/UNI-TETRA.</p> <p>RADR[4:0] is sampled on the rising edge of RFCLK.</p>
RCA	Output (ATM)	N20	<p>UTOPIA Receive multi-PHY Cell Available (RCA).</p> <p>RCA indicates when a cell is available in the receive FIFO for the port selected by RADR[4:0]. RCA can be configured to be de-asserted when either zero or four bytes remain in the selected/addressed FIFO. RCA will thus transition low on the rising edge of RFCLK after Payload word 24 (RCALEVEL0=1) or 19 (RCALEVEL0=0) is output if the PHY being polled is the same as the PHY in use.</p> <p>RCA is tristated when either the null-PHY address (0x1F) or an address not matching the address space is latched from the RADR[4:0] inputs when RENB is high.</p> <p>RCA is updated on the rising edge of RFCLK.</p>

Pin Name	Type	Pin No.	Function
PRPA	Output (POS)	N20	<p>POS-PHY Polled multi-PHY Receive Packet Available (PRPA) signal.</p> <p>PRPA indicates when data is available in the polled receive FIFO. When PRPA is high, the receive FIFO has at least one end of packet or a predefined number of bytes to be read (the number of bytes might be user programmable). PRPA is low when the receive FIFO fill level is below the assertion threshold and the FIFO contains no end of packet.</p> <p>PRPA allows to poll every PHY while transferring data from the selected PHY.</p> <p>PRPA is driven by a PHY layer device when its address is polled on RADR[4:0]. A PHY layer device shall tristate PRPA when either the null-PHY address (0x1F) or an address not matching the address range set by the PHY_ADR[2:0] register bits is provided on RADR[4:0].</p> <p>PRPA is only available in POS-PHY packet-level transfer mode, as selected by the POS_PLVL register bit. PRPA is tristated in byte-level transfer mode. PRPA is updated on the rising edge of RFCLK.</p> <p>Note: In some conditions RPA can assert prematurely. Refer to section 10.15.2.1.</p>

Pin Name	Type	Pin No.	Function
RVAL	Output (POS)	M22	<p>POS-PHY Receive Data Valid (RVAL).</p> <p>RVAL indicates the validity of the receive data signals. When RVAL is high, the Receive signals (RDAT, RSOP, REOP, RMOD, RPRTY and RERR) are valid. When RVAL is low, all Receive signals are invalid and must be disregarded. RVAL will transition low on a FIFO empty condition or on an end of packet. . No data will be removed from the receive FIFO while RVAL is deasserted. Once deasserted, RVAL will remain deasserted until the current PHY is deselected.</p> <p>RVAL allows to monitor the selected PHY during a data transfer, while monitoring other PHY's is done using DRPA[4:1].</p> <p>RVAL is tristated when RENB is deasserted. RVAL is also tristated when either the null-PHY address (0x1F) or an address not matching the PHY layer device address is presented on the RADR[4:0] signals.</p> <p>RVAL is updated on the rising edge of RFCLK.</p>
RFCLK	Input (ATM)	P21	<p>UTOPIA Receive FIFO Read Clock (RFCLK).</p> <p>RFCLK is used to read ATM cells from the receive FIFO's. RFCLK must cycle at a 50 MHz or lower instantaneous rate, but at a high enough rate to avoid FIFO overflows.</p>
RFCLK	Input (ATM)	P21	<p>POS-PHY Receive FIFO Read Clock (RFCLK).</p> <p>This signal is used to read packets from the receive FIFO's. RFCLK must cycle at a 50 MHz or lower instantaneous rate, but at a high enough rate to avoid FIFO overflows.</p>

Pin Name	Type	Pin No.	Function
DRCA[4] DRCA[3] DRCA[2] DRCA[1]	Output (ATM)	M21 N23 N22 N21	<p>UTOPIA Direct Receive Cell Available (DRCA[4:1]).</p> <p>These output signals provides direct status indication of when a cell is available in the receive FIFO for the corresponding port. DRCA can be configured to be de-asserted when either zero or four bytes remain in the selected/addressed FIFO. DRCA will thus transition low on the rising edge of RFCLK after Payload word 24 (RCALEVEL0=1) or 19 (RCALEVEL0=0) is output if the PHY being polled is the same as the PHY in use.</p> <p>DRCA[x] is updated on the rising edge of RFCLK.</p>
DRPA[4] DRPA[3] DRPA[2] DRPA[1]	Output (POS)	M21 N23 N22 N21	<p>POS-PHY Direct Receive Packet Available (DRPA[4:1]).</p> <p>DRPA[x] provides a direct status indication. DRPA indicates when data is available in the receive FIFO. When DRPA is high, the receive FIFO has at least one end of packet or a programmable minimum number of bytes to be read. DRPA is otherwise low. The polarity of DRPA can be inverted with the RPAINV register bit.</p> <p>DRPA[x] is updated on the rising edge of RFCLK.</p> <p>Note: In some conditions RPA can assert prematurely. Refer to section 10.15.2.1.</p>

Pin Name	Type	Pin No.	Function
RMOD	Output (POS)	Y19	<p>POS-PHY Receive Modulo (RMOD).</p> <p>The RMOD signal indicates the number of bytes carried by the RDAT[15:0] bus during the last word of a packet transfer. During a packet transfer every word must be complete except the last word which can be composed of 1 or 2 bytes. RMOD set high indicate a single byte word (present on MSB's, LSB's are discarded) while RMOD set low indicates a two byte word. RMOD is only used in POS mode.</p> <p>RMOD is tristated when RENB is deasserted. RMOD is also tristated when either the null-PHY address (0x1F) or an address not matching the address space set by PHY_ADR[2:0] is latched from the RADR[4:0] inputs when RENB is high.</p> <p>RMOD is updated on the rising edge of RFCLK.</p>
REOP	Output (POS)	L23	<p>POS-PHY Receive End Of Packet (REOP).</p> <p>The REOP signal marks the end of packet on the RDAT[15:0] bus. When the RXFP-50 is selected, REOP is set high to mark the last word of the packet presented on the RDAT[15:0] bus. During this same cycle RMOD is used to indicate if the last word has 1 or 2 bytes. It is legal to set RSOP high at the same time REOP is high. This provides support for one or two bytes packets, as indicated by the value of RMOD. REOP is only used in POS mode.</p> <p>REOP is tristated when RENB is deasserted. REOP is also tristated when either the null-PHY address (0x1F) or an address not matching the address space is latched from the RADR[4:0] inputs when RENB is high.</p> <p>REOP is updated on the rising edge of RFCLK.</p>

Pin Name	Type	Pin No.	Function
RERR	Output (POS)	L22	<p>POS-PHY Receive Error (RERR).</p> <p>The RERR signal indicates that the current packet is aborted. RERR can only be asserted during the last word transfer, at the same time REOP is asserted. RERR is only used in POS mode.</p> <p>RERR is tristated when RENB is deasserted. RERR is also tristated when either the null-PHY address (0x1F) or an address not matching the address space is latched from the RADR[4:0] inputs when RENB is high.</p> <p>RERR is updated on the rising edge of RFCLK.</p>
PHY_OEN	Input (ATM/ POS)	A19	<p>The PHY Output Enable (PHY_OEN) signal controls the operation of the system interface. When set to logic zero, all System Interface outputs are held tristate. When PHY_OEN is set to logic one, the interface is enabled. PHY_OEN can be overwritten by the PHY_EN Master System Interface Configuration register bit. PHY_OEN and PHY_EN are OR'ed together to enable the interface.</p> <p>When the S/UNI-TETRA is the only PHY layer device on the bus, PHY_OEN can safely be tied to logic one. When the S/UNI-TETRA shares the bus with other devices, then PHY_OEN <u>must</u> be tied to logic zero, and the PHY_EN register bit used to enable the bus once its PHY_ADR[2:0] is programmed in order to avoid conflicts.</p> <p>The PHY Output Enable does not tristate the DTCA, DTPA, DRCA, DRPA pins.</p>

9.4 Microprocessor Interface Signals

Pin Name	Type	Pin No.	Function
CSB	Input	B11	The active-low chip select (CSB) signal is low during S/UNI-TETRA register accesses. If CSB is used, it must be held high while RSTB is low to properly initialize the device. If CSB is not required (i.e. register accesses are controlled using the RDB and WRB signals only), CSB must be connected to an inverted version of the RSTB input to ensure proper device initialization.
RDB	Input	D11	The active-low read enable (RDB) signal is low during S/UNI-TETRA register read accesses. The S/UNI-TETRA drives the D[7:0] bus with the contents of the addressed register while RDB and CSB are low.
WRB	Input	A10	The active-low write strobe (WRB) signal is low during a S/UNI-TETRA register write accesses. The D[7:0] bus contents are clocked into the addressed register on the rising WRB edge while CSB is low.
D[0] D[1] D[2] D[3] D[4] D[5] D[6] D[7]	I/O	D16 B17 A17 C16 B16 C15 B15 D14	The bi-directional data bus D[7:0] is used during S/UNI-TETRA register read and write accesses.
A[0] A[1] A[2] A[3] A[4] A[5] A[6] A[7] A[8] A[9]	Input	A15 C14 B14 A14 D13 C13 B13 A13 C12 B12	The address bus A[9:0] selects specific registers during S/UNI-TETRA register accesses. Except for S/UNI-TETRA global registers, the A[9:8] bits allow to select which channel is being accessed. The A[7:0] bits allow to select which register is being access within a given channel address space.

Pin Name	Type	Pin No.	Function
A[10]/TRS	Input	A11	The test register select (TRS) signal selects between normal and test mode register accesses. TRS is high during test mode register accesses, and is low during normal mode register accesses.
RSTB	Input pull-up	B10	The active-low reset (RSTB) signal provides an asynchronous S/UNI-TETRA reset. RSTB is a Schmitt triggered input with an integral pull-up resistor.
ALE	Input pull-up	C11	The address latch enable (ALE) is active-high and latches the address bus A[7:0] when low. When ALE is high, the internal address latches are transparent. It allows the S/UNI-TETRA to interface to a multiplexed address/data bus. ALE has an integral pull-up resistor.
INTB	Output Open-drain	C10	<p>The active-low interrupt (INTB) signal goes low when a S/UNI-TETRA interrupt source is active and that source is unmasked. The S/UNI-TETRA may be enabled to report many alarms or events via interrupts.</p> <p>Examples of interrupt sources are loss of signal (LOS), loss of frame (LOF), line AIS, line remote defect indication (LRDI) detect, loss of pointer (LOP), path AIS, path remote defect indication detect and others.</p> <p>INTB is tristated when the interrupt is acknowledged via an appropriate register access. INTB is an open drain output.</p>

9.5 JTAG Test Access Port (TAP) Signals

Pin Name	Type	Pin No.	Function
TCK	Input	B8	The test clock (TCK) signal provides timing for test operations that are carried out using the IEEE P1149.1 test access port.

Pin Name	Type	Pin No.	Function
TMS	Input pull-up	B9	The test mode select (TMS) signal controls the test operations that are carried out using the IEEE P1149.1 test access port. TMS is sampled on the rising edge of TCK. TMS has an integral pull-up resistor.
TDI	Input pull-up	D10	The test data input (TDI) signal carries test data into the S/UNI-TETRA via the IEEE P1149.1 test access port. TDI is sampled on the rising edge of TCK. TDI has an integral pull-up resistor.
TDO	Tristate	A9	The test data output (TDO) signal carries test data out of the S/UNI-TETRA via the IEEE P1149.1 test access port. TDO is updated on the falling edge of TCK. TDO is a tristate output which is inactive except when scanning of data is in progress.
TRSTB	Input pull-up	C9	The active-low test reset (TRSTB) signal provides an asynchronous S/UNI-TETRA test access port reset via the IEEE P1149.1 test access port. TRSTB is a Schmitt triggered input with an integral pull-up resistor. Note that when not being used, TRSTB must be connected to the RSTB input.

9.6 Analog Signals

Pin Name	Type	Pin No.	Function
CP1 CN1 CP2 CN2 CP3 CN3 CP4 CN4	Analog	B4 C5 K2 K1 N2 N1 AB4 AA5	The analog CP and CN pins are provided for applications that must meet SONET/SDH jitter transfer specifications. A 220 nF X7R 10% ceramic capacitor can be attached across CP and CN.

Pin Name	Type	Pin No.	Function
ATB0 ATB1 ATB2 ATB3	Analog I/O	P2 P3 P4 R1	The Analog Test Bus (ATB). These pins are used for manufacturing testing only and should be connected ground.

9.7 Power and Ground

Pin Name	Type	Pin No.	Function
BIAS	Bias Voltage	K21 C17	I/O Bias (BIAS). When tied to +5V via a 1 K Ω resistor, the BIAS input is used to bias the wells in the input and I/O pads so that the pads can tolerate 5V on their inputs without forward biasing internal ESD protection devices. When BIAS is tied to +3.3V, the inputs and bi-directional inputs will only tolerate 3.3V level inputs.

Pin Name	Type	Pin No.	Function
VDD	Power	A1 A23 B2 B22 C3 C21 D4 D6 D9 D12 D15 D18 D20 F4 F20 J4 J20 M4 M20 R4 R20 V4 V20 Y4 Y6 Y9 Y12 Y15 Y18 Y20 AA3 AA21 AB2 AB22 AC1 AC23	The digital power (VDD) pins should be connected to a well-decoupled +3.3 V DC supply.

Pin Name	Type	Pin No.	Function
VSS	Ground	A2 A6 A8 A12 A16 A18 A22 B1 B3 B21 B23 C2 C22 F1 F23 H1 H23 M1 M23 T1 T23 V1 V23 AA2 AA22 AB1 AB3 AB21 AB23 AC2 AC6 AC8 AC12 AC16 AC18 AC22	The digital ground (VSS) pins should be connected to ground.

Pin Name	Type	Pin No.	Function
QAVD	Analog Power	AA6 C6	QAVD1 QAVD2 The quiet analog power (QAVD) pins for the analog core. QAVD should be connected to analog +3.3V through a 100Ω resistor to avoid latchup during power-up.
QAVS	Analog Ground	AB5 B5	QAVS1 QAVS2 The quiet analog ground (QAVS) pins for the analog core. QAVS should be connected to analog GND.
AVD	Analog Power	G4 A4 C4 H2 L4 J1 U2 M2 N4 Y3 AC4 AA4 L3 L1	RAVD1_A - Channel #1 PECL Input Buffer RAVD1_B - Channel #1 CRU RAVD1_C - Channel #1 CRU RAVD2_A - Channel #2 PECL Input Buffer RAVD2_B - Channel #2 CRU RAVD2_C - Channel #2 CRU RAVD3_A - Channel #3 PECL Input Buffer RAVD3_B - Channel #3 CRU RAVD3_C - Channel #3 CRU RAVD4_A - Channel #4 PECL Input Buffer RAVD4_B - Channel #4 CRU RAVD4_C - Channel #4 CRU TAVD1_A - CSU TAVD1_B - CSU The analog power (AVD) pins for the analog core. AVD should be connected to analog +3.3V.

Pin Name	Type	Pin No.	Function
AVS	Analog Ground	F3	RAVS1_A - Channel #1 PECL Input Buffer
		A3	RAVS1_B - Channel #1 CRU
		D5	RAVS1_C - Channel #1 CRU
		H3	RAVS2_A - Channel #2 PECL Input Buffer
		K3	RAVS2_B - Channel #2 CRU
		K4	RAVS2_C - Channel #2 CRU
		T4	RAVS3_A - Channel #3 PECL Input Buffer
		N3	RAVS3_B - Channel #3 CRU
		P1	RAVS3_C - Channel #3 CRU
		W4	RAVS4_A - Channel #4 PECL Input Buffer
		AC3	RAVS4_B - Channel #4 CRU
		Y5	RAVS4_C - Channel #4 CRU
		L2	TAVS1_A - CSU
		M3	TAVS1_B - CSU

Notes on Pin Description:

1. All S/UNI-TETRA inputs and bi-directionals present minimum capacitive loading and operate at TTL logic levels except: the SD, RXD+ and RXD- inputs which operate at pseudo-ECL (PECL) logic levels
2. The RDAT[15:0], RPRTY, RSOC, REOP, RMOD, RERR, RVAL, DRCA4-1, RCA/PRPA, DTCA4-1, TCA/PRPA, STPA, TCLK and RCLK1-4 outputs have a 4 mA DC drive capability. The TDO and INTB outputs have a 1 mA drive capability. All the other outputs have a 2 mA DC drive capability. The TXD+ and TXD- outputs should be terminated in a passive network and interface at PECL levels.
3. It is mandatory that every ground pin (VSS) be connected to the printed circuit board ground plane to ensure a reliable device operation.
4. It is mandatory that every power pin (VDD) be connected to the printed circuit board power plane to ensure a reliable device operation.
5. All analog power and ground can be sensitive to noise. They must be isolated from the digital power and ground. Care must be taken to decouple these pins from each other and all other analog power and ground pins.

Power supply filtering recommendations are provided in the OPERATION section of this document.

6. Due to ESD protection structures in the pads it is necessary to exercise caution when powering a device up or down. ESD protection devices behave as diodes between power supply pins and from I/O pins to power supply pins. Under extreme conditions it is possible to blow these ESD protection devices or trigger latch up. **Please adhere to the recommended power supply sequencing as described in the OPERATION section of this document.**
7. If it is intended to substitute a S/UNI-TETRA in a S/UNI-QUAD socket, special attention must be given to the NC pins. The requirement is that no S/UNI-TETRA input pin is left floating when used in a S/UNI-QUAD socket. Please refer to the relevant PMC-Sierra, Inc. application note.
8. Some device pins can be made 5V tolerant by connecting the BIAS pins to a 5V power supply, while some other pins are 3.3V only. In summary, the system interface (ATM or POS) is 3.3V only while the microprocessor interface, SONET and line interfaces are 5V tolerant.
3.3V only I/O's:
RDATA[15:0], RSOC/RSOP, RPRTY, RENB, REOP, RMOD, RERR, RVAL,
TDATA[15:0], TSOC/TSOP, TPRTY, TENB, TEOP, TMOD, TERR,
RCA/RPA, DRCA4-1/DRPA4-1, TCA/PTPA, STPA, DTCA4-1/DTPA4-1,
RADR[5:0], TADR[5:0], PHY_OEN
5V tolerant I/O's:
REFCLK, RXD
RCLK4-1, RFPO4-1, RALRM4-1,
TCLK, TFPO, TFPI,
RSD, RSDCLK, TSD, TSDCLK, RLD, RLDCLK, TLD, TLDCLK.,
D[7:0], A[10:0], WRB, RDB, CSB, RSTB, INTB, ALE,
TRSTB, TCK, TMS, TDI, TDO,

10 FUNCTIONAL DESCRIPTION

10.1 Receive Line Interface (CRSI)

The Receive Line Interface allows to directly interface the S/UNI-TETRA with optical modules (ODLs) or other medium interfaces. This block performs clock and data recovery and performs serial to parallel conversion on the incoming 155.52 Mbit/s data stream.

10.1.1 Clock Recovery

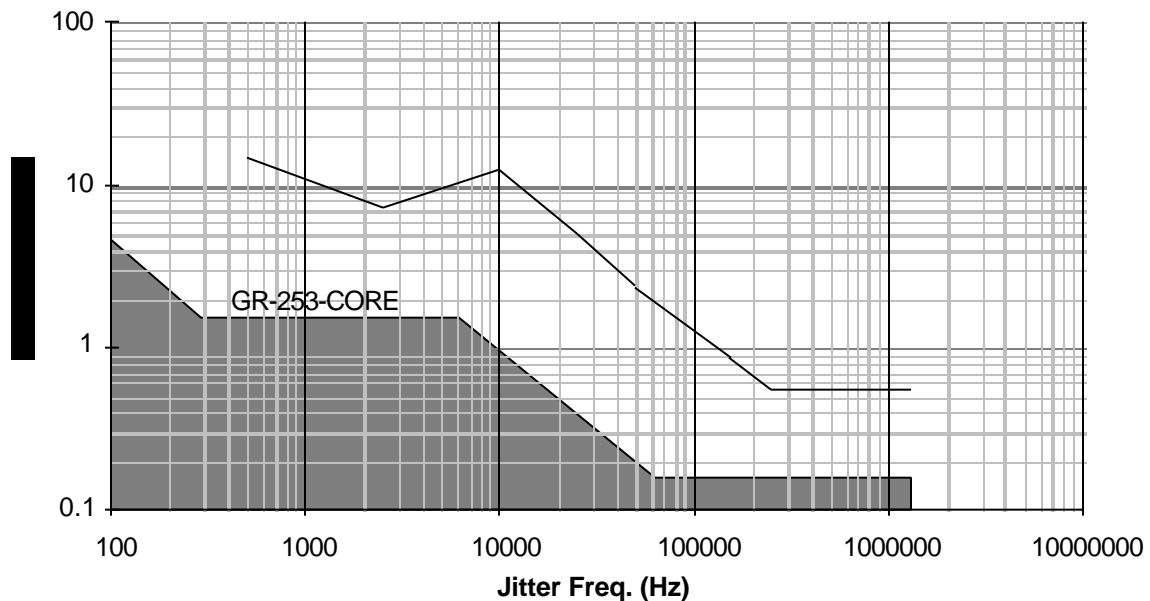
The clock recovery unit recovers the clock from the incoming bit serial data stream. The clock recovery unit is fully compliant with SONET and SDH jitter tolerance requirements. The clock recovery unit utilizes a low frequency reference clock to train and monitor its clock recovery PLL. Under loss of signal conditions, the clock recovery unit continues to output a line rate clock that is locked to this reference for keep alive purposes. The clock recovery unit utilizes a reference clocks at 19.44 MHz. The clock recovery unit provides status bits that indicate whether it is locked to data or the reference. The clock recovery unit also supports diagnostic loopback and a loss of signal input that squelches normal input data.

Initially, the PLL locks to the reference clock, REFCLK. When the frequency of the recovered clock is within 488 ppm of the reference clock, the PLL attempts to lock to the data. Once in data lock, the PLL reverts to the reference clock if no data transitions occur in 80 bit periods or if the recovered clock drifts beyond 488 ppm of the reference clock.

When the transmit clock is derived from the recovered clock (loop timing), the accuracy of the transmit clock is directly related to the REFCLK reference accuracy in the case of a loss of signal condition. To meet the Bellcore GR-253-CORE SONET Network Element free-run accuracy specification, the reference must be within +/-20ppm. When used in LAN applications, the REFCLK accuracy may be relaxed to +/-50ppm.

The loop filter transfer function is optimized to enable the PLL to track the jitter, yet tolerate the minimum transition density expected in a received SONET/SDH data signal. The total loop dynamics of the clock recovery PLL yield a jitter tolerance that exceeds the minimum tolerance proposed for SONET equipment by GR-253-CORE (Figure 3).

Figure 3: Typical STS-3c (STM-1) Jitter Tolerance



Note that for frequencies below 300 Hz, the jitter tolerance is greater than 15 Ulpp; 15 Ulpp is the maximum jitter tolerance of the test equipment. Also note that the dip in the tolerance curve between 300 Hz and 10 kHz is due to the S/UNI-TETRA's internal clock difference detector: if the recovered clock drifts beyond 488 ppm of the reference, the PLL locks to the reference clock.

10.1.2 Serial to Parallel Converter

The Serial to Parallel Converter (SIPO) converts the received bit serial stream to a byte serial stream. The SIPO searches for the SONET/SDH framing pattern (A1, A2) in the receive stream, and performs serial to parallel conversion on octet boundaries.

10.2 Receive Section Overhead Processor (RSOP)

The Receive Section Overhead Processor (RSOP) provides frame synchronization, de-scrambling, section level alarm and performance monitoring. In addition, it extracts the section data communication channel from the section overhead and, if selected, provides it serially on output RSD.

10.2.1 Framer

The Framer Block determines the in-frame/out-of-frame status of the receive stream.

While in-frame, the framing bytes (A1, A2) in each frame are compared against the expected pattern. Out-of-frame is declared when four consecutive frames containing one or more framing pattern errors have been received.

While out-of-frame, the SIPO block monitors the receive stream for an occurrence of the framing pattern. When a framing pattern is recognized, the Framer block verifies that an error free framing pattern is present in the next frame before declaring in-frame.

10.2.2 Descramble

The Descramble Block utilizes a frame synchronous descrambler to process the receive stream. The generating polynomial is $x^7 + x^6 + 1$ and the sequence length is 127. Details of the de-scrambling operation are provided in the references. Note that the framing bytes (A1 and A2) and the trace/growth bytes (J0/Z0) are not descrambled. A register bit is provided to disable the de-scrambling operation.

10.2.3 Data Link Extract

The Data Link Extract Block extracts the section data communication channel (bytes D1, D2, and D3) from the STS-3c (STM-1) stream. The extracted bytes are serialized and output on signal RSD at a nominal 192 kbit/s rate. Timing for downstream processing of the data communication channel is provided by the RSDCLK signal that is also output by the Data Link Extract Block. RSDCLK is derived from a 216 kHz clock that is gapped to yield an average frequency of 192 kHz. RSD is updated with timing aligned to RSDCLK.

10.2.4 Error Monitor

The Error Monitor Block calculates the received section BIP-8 error detection code (B1) based on the scrambled data of the complete STS-3c (STM-1) frame. The section BIP-8 code is based on a bit interleaved parity calculation using even parity. Details are provided in the references. The calculated BIP-8 code is compared with the BIP-8 code extracted from the B1 byte of the following frame. Differences indicate that a section level bit error has occurred. Up to 64000 (8 x 8000) bit errors can be detected per second. The Error Monitor Block accumulates these section level bit errors in a 16-bit saturating counter that can

be read via the microprocessor interface. Circuitry is provided to latch this counter so that its value can be read while simultaneously resetting the internal counter to 0 or 1, if appropriate, so that a new period of accumulation can begin without loss of any events. It is intended that this counter be polled at least once per second so as not to miss bit error events.

10.2.5 Loss of Signal

The Loss of Signal Block monitors the scrambled data of the receive stream for the absence of 1's. When $20 \pm 3 \mu\text{s}$ of all zeros patterns is detected, a loss of signal (LOS) is declared. Loss of signal is cleared when two valid framing words are detected and during the intervening time, no loss of signal condition is detected. The LOS signal is optionally reported on the RALRM output pin when enabled by the LOSEN Receive Alarm Control Register bit.

10.2.6 Loss of Frame

The Loss of Frame Block monitors the in-frame / out-of-frame status of the Framer Block. A loss of frame (LOF) is declared when an out-of-frame (OOF) condition persists for 3 ms. The LOF is cleared when an in-frame condition persists for a period of 3 ms. To provide for intermittent out-of-frame (or in-frame) conditions, the 3 ms timer is not reset to zero until an in-frame (or out-of-frame) condition persists for 3 ms. The LOF and OOF signals are optionally reported on the RALRM output pin when enabled by the LOFEB and OOFEN Receive Alarm Control Register bits.

10.3 Receive Line Overhead Processor (RLOP)

The Receive Line Overhead Processor (RLOP) provides line level alarm and performance monitoring. In addition, it extracts the line data communication channel from the line overhead and, if selected, provides it serially on output RLD.

10.3.1 Line RDI Detect

The Line RDI Detect Block detects the presence of Line Remote Defect Indication (LRDI) in the receive stream. Line RDI is declared when a 110 binary pattern is detected in bits 6, 7, and 8 of the K2 byte, for three or five consecutive frames. Line RDI is removed when any pattern other than 110 is detected in bits 6, 7, and 8 of the K2 byte for three or five consecutive frames. The LRDI signal is optionally reported on the RALRM output pin when enabled by the LRDIEN Receive Alarm Control Register bit.

10.3.2 Line AIS Detect

The Line AIS Block detects the presence of a Line Alarm Indication Signal (LAIS) in the receive stream. Line AIS is declared when a 111 binary pattern is detected in bits 6, 7, and 8 of the K2 byte, for three or five consecutive frames. Line AIS is removed when any pattern other than 111 is detected in bits 6, 7, and 8 of the K2 byte for three or five consecutive frames. The LAIS signal is optionally reported on the RALRM output pin when enabled by the LAISEN Receive Alarm Control Register bit.

10.3.3 Data Link Extract Block

The Data Link Extract Block extracts the line data communication channel (bytes D4 to D12) from the STS-3c (STM-1) stream. The extracted bytes are serialized and output on the RLD output at a nominal 576 kbit/s rate. Timing for downstream processing of the data communication channel is provided by the RLDCLK output. RLDCLK is derived from a 2.16 MHz clock that is gapped to yield an average frequency of 576 kHz.

10.3.4 Error Monitor Block

The Error Monitor Block calculates the received line BIP-8 error detection codes based on the Line Overhead bytes and synchronous payload envelopes of the STS-3c (STM-1) stream. The line BIP-8 code is a bit interleaved parity calculation using even parity. Details are provided in the references. The calculated BIP-8 codes are compared with the BIP-8 codes extracted from the following frame. Any differences indicate that a line layer bit error has occurred. Optionally the RLOP can be configured to count a maximum of only one BIP error per frame.

This block also extracts the line FEBE code from the M1 byte. The FEBE code is contained in bits 2 to 8 of the M1 byte, and represents the number of line BIP-8 errors that were detected in the last frame by the far end. The FEBE code value has 25 legal values (0 to 24) for an STS-3c (STM-1) stream. Illegal values are interpreted as zero errors.

The Error Monitor Block accumulates B2 error events and FEBE events in two 20 bit saturating counter that can be read via the microprocessor interface. The contents of these counters may be transferred to internal holding registers by writing to any one of the counter addresses, or by using the TIP register bit feature. During a transfer, the counter value is latched and the counter is reset to 0 (or 1, if there is an outstanding event). Note, these counters should be polled at least once per second to avoid saturation.

The B2 error events counters optionally can be configured to accumulate only "word" errors. A B2 word error is defined as the occurrence of one or more B2 bit error events during a frame. The B2 error counter is incremented by one for each frame in which a B2 word error occurs.

In addition the FEBE events counters optionally can be configured to accumulate only "word" events. In STS-3c (STM-1) framing a FEBE word event is defined as the occurrence of one or more FEBE bit events during a frame. The FEBE event counter is incremented by one for each frame in which a FEBE event occurs.

10.4 The Receive APS, Synchronization Extractor and Bit Error Monitor (RASE)

10.4.1 Automatic Protection Switch Control

The Automatic Protection Switch (APS) control block filters and captures the receive automatic protection switch channel bytes (K1 and K2) allowing them to be read via the RASE APS K1 Register and the RASE APS K2 Register. The bytes are filtered for three frames before being written to these registers. A protection switching byte failure alarm is declared when twelve successive frames have been received, where no three consecutive frames contain identical K1 bytes. The protection switching byte failure alarm is removed upon detection of three consecutive frames containing identical K1 bytes. The detection of invalid APS codes is done in software by polling the RASE APS K1 Register and the RASE APS K2 Register.

10.4.2 Bit Error Rate Monitor

The Bit Error Monitor Block (BERM) calculates the received line BIP-24 error detection code (B2) based on the line overhead and synchronous payload envelope of the receive data stream. The line BIP-24 code is a bit interleaved parity calculation using even parity. Details are provided in the references. The calculated BIP code is compared with the BIP-24 code extracted from the B2 byte(s) of the following frame. Any differences indicate that a line layer bit error has occurred. Up to 192000 (24 BIP/frame x 8000 frames/second) bit errors can be detected per second for STS-3c (STM-1) rate.

The BERM accumulates these line layer bit errors in a 20 bit saturating counter that can be read via the microprocessor interface. During a read, the counter value is latched and the counter is reset to 0 (or 1, if there is an outstanding event). Note, this counter should be polled at least once per second to avoid saturation which in turn may result in missed bit error events.

The BERM block is able to simultaneously monitor for signal fail (SF) or signal degrade (SD) threshold crossing and provide alarms through software interrupts. The bit error rates associated with the SF or SD alarms are programmable over a range of 10^{-3} to 10^{-9} . Details are provided in the Operations section.

In both declaring and clearing detection states, the accumulated BIP count is continuously compared against the threshold. This allows to rapidly declare in the presence of error bursts or error rates that significantly exceed the monitored BER. This behavior allows meeting the ITU-T G.783 detection requirements at various error rates (where the detection time is a function of the actual BER, for a given monitored BER).

10.4.3 Synchronization Status Extraction

The Synchronization Status Extraction (SSE) Block extracts the synchronization status (S1) byte from the line overhead. The SSE block can be configured to capture the S1 nibble after three or after eight frames with the same value (filtering turned on) or after any change in the value (filtering turned off). The S1 nibble can be read via the microprocessor interface. Optionally, the SSE can be configured to perform filtering based on the whole S1 byte. Although this mode of operation is not standard, it might become useful in the future.

10.5 Receive Path Overhead Processor (RPOP)

The Receive Path Overhead Processor (RPOP) provides pointer interpretation, extraction of path overhead, extraction of the synchronous payload envelope, and path level alarm indication and performance monitoring.

10.5.1 Pointer Interpreter

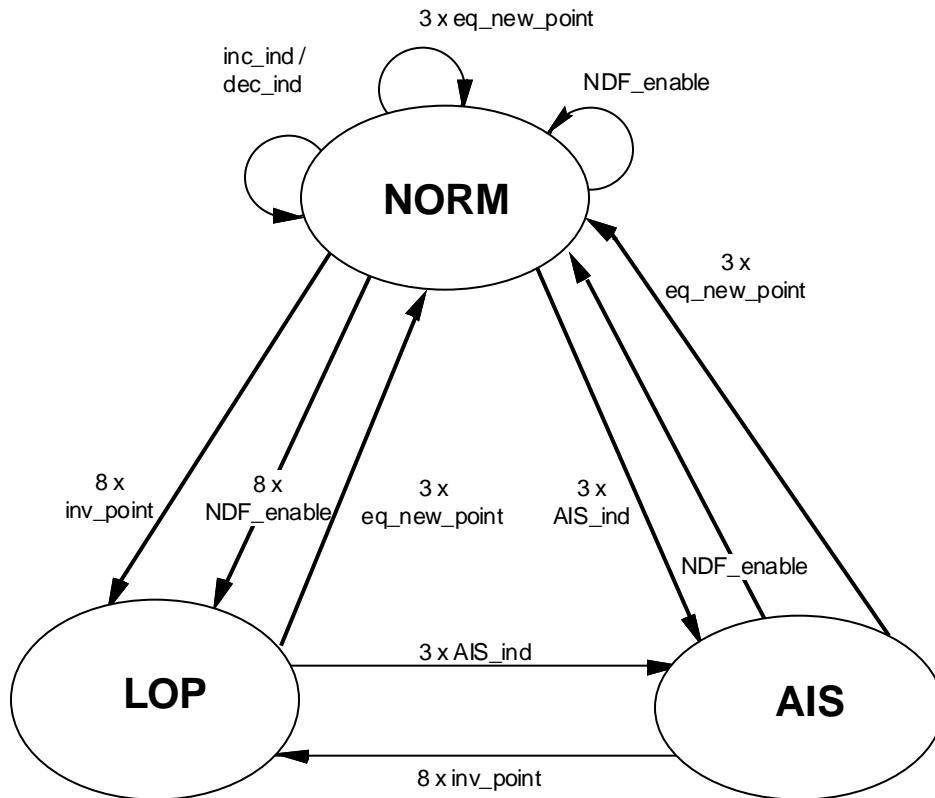
The Pointer Interpreter interprets the incoming pointer (H1, H2) as specified in the references. The pointer value is used to determine the location of the path overhead (the J1 byte) in the incoming STS-3c (STM-1) stream. The algorithm can be modeled by a finite state machine. Within the pointer interpretation algorithm three states are defined as shown below:

NORM_state (NORM)
AIS_state (AIS)
LOP_state (LOP)

The transition between states will be consecutive events (indications), e.g., three consecutive AIS indications to go from the NORM_state to the AIS_state. The kind and number of consecutive indications activating a transition is chosen such

that the behavior is stable and insensitive to low BER. The only transition on a single event is the one from the AIS_state to the NORM_state after receiving a NDF enabled with a valid pointer value. It should be noted that, since the algorithm only contains transitions based on consecutive indications, this implies that, for example, non-consecutively received invalid indications do not activate the transitions to the LOP_state.

Figure 4: Pointer Interpretation State Diagram



The following table defines the events (indications) shown in the state diagram.

Table 1: Pointer Interpreter Event (Indications) Description

Event (Indication)	Description
norm_point	disabled NDF + ss + offset value equal to active offset
NDF_enable	enabled NDF + ss + offset value in range of 0 to 782 or enabled NDF + ss, if NDFPOR bit is set (Note that the current pointer is not updated by an enabled NDF if the pointer is out of range).

AIS_ind	H1 = 'hFF, H2 = 'hFF
inc_ind	disabled NDF + ss + majority of I bits inverted + no majority of D bits inverted + previous NDF_enable, inc_ind or dec_ind more than 3 frames ago
dec_ind	disabled NDF + ss + majority of D bits inverted + no majority of I bits inverted + previous NDF_enable, inc_ind or dec_ind more than 3 frames ago
inv_point	not any of above (i.e., not norm_point, and not NDF_enable, and not AIS_ind, and not inc_ind and not dec_ind)
new_point	disabled_NDF + ss + offset value in range of 0 to 782 but not equal to active offset
inc_req	majority of I bits inverted + no majority of D bits inverted
dec_req	majority of D bits inverted + no majority of I bits inverted

- Note 1 - active offset is defined as the accepted current phase of the SPE (VC) in the NORM_state and is undefined in the other states.
- Note 2 - enabled NDF is defined as the following bit patterns: 1001, 0001, 1101, 1011, 1000.
- Note 3 - disabled NDF is defined as the following bit patterns: 0110, 1110, 0010, 0100, 0111.
- Note 4 - the remaining six NDF codes (0000, 0011, 0101, 1010, 1100, 1111) result in an inv_point indication.
- Note 5 - ss bits are unspecified in SONET and has bit pattern 10 in SDH
- Note 6 - the use of ss bits in definition of indications may be optionally disabled.
- Note 7 - the requirement for previous NDF_enable, inc_ind or dec_ind be more than 3 frames ago may be optionally disabled.
- Note 8 - new_point is also an inv_point.
- Note 9 - LOP is not declared if all the following conditions exist:
- the received pointer is out of range (>782),
 - the received pointer is static,
 - the received pointer can be interpreted, according

- to majority voting on the I and D bits, as a positive or negative justification indication,
- after making the requested justification, the received pointer continues to be interpretable as a pointer justification.

When the received pointer returns to an in-range value, the S/UNI/TETRA will interpret it correctly.

Note 10 - LOP will exit at the third frame of a three frame sequence consisting of one frame with NDF enabled followed by two frames with NDF disabled, if all three pointers have the same legal value.

The transitions indicated in the state diagram are defined in the following table.

Table 2: Pointer Interpreter Transition Description

Transition	Description
inc_ind/dec_ind	offset adjustment (increment or decrement indication)
3 x eq_new_point	three consecutive equal new_point indications
NDF_enable	single NDF_enable indication
3 x AIS_ind	three consecutive AIS indications
8 x inv_point	eight consecutive inv_point indications
8 x NDF_enable	eight consecutive NDF_enable indications

Note 1 - the transitions from NORM_state to NORM_state do not represent state changes but imply offset changes.

Note 2 - 3 x new_point takes precedence over other events and if the IINVCNT bit is set resets the inv_point count.

Note 3 - all three offset values received in 3 x eq_new_point must be identical.

Note 4 - "consecutive event counters" are reset to zero on a change of state except for consecutive NDF count.

The Pointer Interpreter detects loss of pointer (LOP) in the incoming STS-3c (STM-1) stream. LOP is declared on entry to the LOP_state as a result of eight consecutive invalid pointers or eight consecutive NDF enabled indications. The alarm condition is reported in the receive alarm port and is optionally returned to

the source node by signaling the corresponding Transmit Path Overhead Processor in the local S/UNI-TETRA to insert a path RDI indication.

The Pointer Interpreter detects path AIS in the incoming STS-3c (STM-1) stream. PAIS is declared on entry to the AIS_state after three consecutive AIS indications. The alarm condition reported in the receive alarm port and is optionally returned to the source node by signaling the corresponding Transmit Path Overhead Processor in the local SONET/SDH equipment to insert a path RDI indication.

Invalid pointer indications (inv_point), invalid NDF codes, new pointer indications (new_point), discontinuous change of pointer alignment, and illegal pointer changes are also detected and reported by the Pointer Interpreter block via register bits. An invalid NDF code is any NDF code that does not match the NDF enabled or NDF disabled definitions. The third occurrence of equal new_point indications (3 x eq_new_point) is reported as a discontinuous change of pointer alignment event (DISCOPA) instead of a new pointer event and the active offset is updated with the receive pointer value. An illegal pointer change is defined as a inc_ind or dec_ind indication that occurs within three frames of the previous inc_ind, dec_ind or NDF_enable indications. Illegal pointer changes may be optionally disabled via register bits.

The active offset value is used to extract the path overhead from the incoming stream and can be read from an internal register.

10.5.2 SPE Timing

The SPE Timing Block provides SPE timing information to the Error Monitor and the Extract blocks. The block contains a free running timeslot counter that is initialized by a J1 byte identifier (which identifies the first byte of the SPE). Control signals are provided to the Error Monitor and the Extract blocks to identify the Path Overhead bytes and to downstream circuitry to extract the ATM cell or POS payload.

10.5.3 Error Monitor

The Error Monitor Block contains two 16-bit counters that are used to accumulate path BIP-8 errors (B3), and far end block errors (FEBEs). The contents of the two counters may be transferred to holding registers, and the counters reset under microprocessor control.

Path BIP-8 errors are detected by comparing the path BIP-8 byte (B3) extracted from the current frame, to the path BIP-8 computed for the previous frame.

FEBEs are detected by extracting the 4-bit FEBE field from the path status byte (G1). The legal range for the 4-bit field is between 0000 and 1000, representing zero to eight errors. Any other value is interpreted as zero errors.

Path RDI alarm is detected by extracting bit 5 of the path status byte. The PRDI signal is set high when bit 5 is set high for five/ten consecutive frames. PRDI is set low when bit 5 is low for five/ten consecutive frames. Auxiliary RDI alarm is detected by extracting bit 6 of the path status byte. The Auxiliary RDI alarm is indicated when bit 6 is set high for five/ten consecutive frames. The Auxiliary RDI alarm is removed when bit 6 is low for five/ten consecutive frames. The Enhanced RDI alarm is detected when the enhanced RDI code in bits 5,6,7 of the path status byte indicates the same error codepoint for five/ten consecutive frames. The Enhanced RDI alarm is removed when the enhanced RDI code in bits 5,6,7 of the path status byte indicates the same non error codepoint for five/ten consecutive frames. The ERDII maskable interrupt is set high when bits 5, 6 & 7 of the path status byte (G1) byte are set to a new codepoint for five or ten consecutive frames. The ERDIV[2:0] signal reflects the state of the filtered ERDI value (G1 byte bits 5, 6, & 7).

10.6 Receive ATM Cell Processor (RXCP)

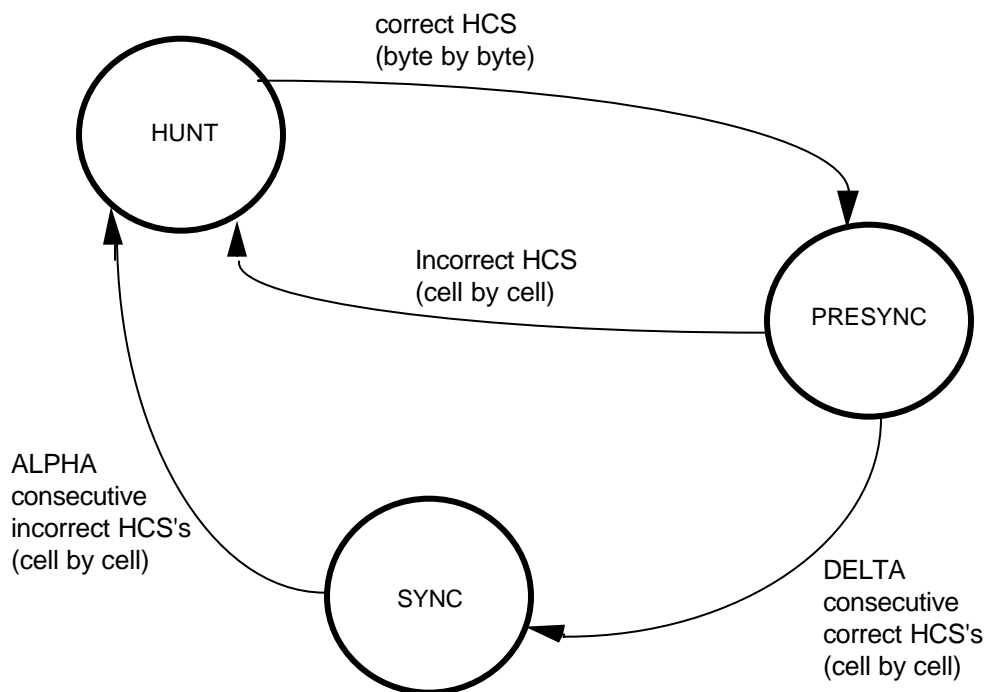
The Receive ATM Cell Processor (RXCP) performs ATM cell delineation, provides cell filtering based on idle/unassigned cell detection and HCS error detection, and performs ATM cell payload de-scrambling. The RXCP also provides a four cell deep receive FIFO. This FIFO is used to separate the STS-3c (STM-1) line timing from the higher layer ATM system timing.

10.6.1 Cell Delineation

Cell Delineation is the process of framing to ATM cell boundaries using the header check sequence (HCS) field found in the cell header. The HCS is a CRC-8 calculation over the first 4 octets of the ATM cell header. When performing delineation, correct HCS calculations are assumed to indicate cell boundaries. Cells are assumed to be byte-aligned to the synchronous payload envelope. The cell delineation algorithm searches the 53 possible cell boundary candidates individually to determine the valid cell boundary location. While searching for the cell boundary location, the cell delineation circuit is in the HUNT state. When a correct HCS is found, the cell delineation state machine locks on the particular cell boundary, corresponding to the correct HCS, and enters the PRESYNC state. The PRESYNC state validates the cell boundary location. If the cell boundary is invalid, an incorrect HCS will be received within the next DELTA cells, at which time a transition back to the HUNT state is executed. If no HCS errors are detected in this PRESYNC period, the SYNC state is entered.

While in the SYNC state, synchronization is maintained until ALPHA consecutive incorrect HCS patterns are detected. In such an event a transition is made back to the HUNT state. The state diagram of the delineation process is shown in Figure 5.

Figure 5: Cell Delineation State Diagram



The values of ALPHA and DELTA determine the robustness of the delineation process. ALPHA determines the robustness against false misalignments due to bit errors. DELTA determines the robustness against false delineation in the synchronization process. ALPHA is chosen to be 7 and DELTA is chosen to be 6. These values result in an average time to delineation of 33.66 μ s for the STS-3c (STM-1) rate.

10.6.2 Descrambler

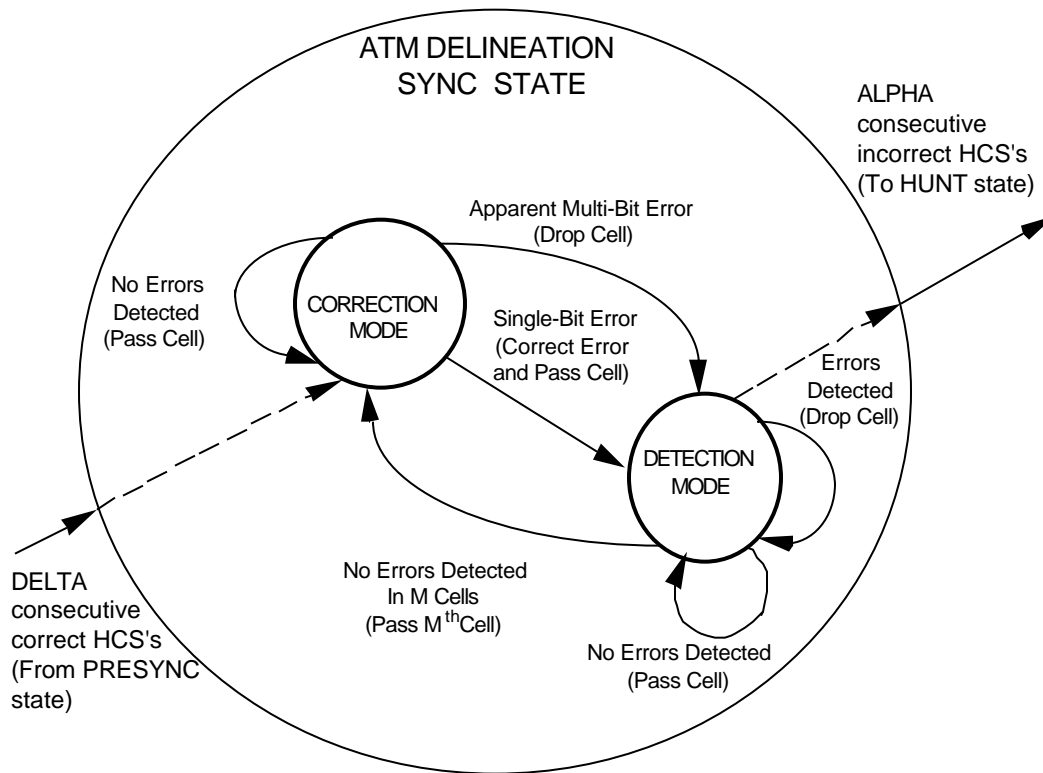
The self synchronous descrambler operates on the 48 byte cell payload only. The circuitry descrambles the information field using the $x^{43} + 1$ polynomial. The descrambler is disabled for the duration of the header and HCS fields and may optionally be disabled for the payload.

10.6.3 Cell Filter and HCS Verification

Cells are filtered (or dropped) based on HCS errors and/or a cell header pattern. Cell filtering is optional and is enabled through the RXCP registers. Cells are passed to the receive FIFO while the cell delineation state machine is in the SYNC state as described above. When both filtering and HCS checking are enabled, cells are dropped if uncorrectable HCS errors are detected, or if the corrected header contents match the pattern contained in the RXCP Match Header Pattern and RXCP Match Header Mask registers. Idle or unassigned cell filtering is accomplished by writing the appropriate cell header pattern into the RXCP Match Header Pattern and RXCP Match Header Mask registers. Idle/Unassigned cells are assumed to contain the all zeros pattern in the VCI and VPI fields. The RXCP Match Header Pattern and RXCP Match Header Mask registers allow filtering control over the contents of the GFC, PTI, and CLP fields of the header.

The HCS is a CRC-8 calculation over the first 4 octets of the ATM cell header. The RXCP block verifies the received HCS using the polynomial, $x^8 + x^2 + x + 1$. The coset polynomial, $x^6 + x^4 + x^2 + 1$, is added (modulo 2) to the received HCS octet before comparison with the calculated result. While the cell delineation state machine (described above) is in the SYNC state, the HCS verification circuit implements the state machine shown in Figure 6.

Figure 6: HCS Verification State Diagram



In normal operation, the HCS verification state machine remains in the 'Correction Mode' state. Incoming cells containing no HCS errors are passed to the receive FIFO. Incoming single-bit errors are corrected, and the resulting cell is passed to the FIFO. Upon detection of a single-bit error or a multi-bit error, the state machine transitions to the 'Detection Mode' state. In this state, programmable HCS error filtering is provided. The detection of any HCS error causes the corresponding cell to be dropped. The state machine transitions back to the 'Correction Mode' state when M (where M = 1, 2, 4, 8) cells are received with correct HCSs. The Mth cell is not discarded.

10.6.4 Performance Monitor

The Performance Monitor consists of two 8-bit saturating HCS error event counters and a 19-bit saturating receive cell counter. One of the counters accumulates correctable HCS errors which are HCS single-bit errors detected and corrected while the HCS Verification state machine is in the 'Correction Mode' state. The second counter accumulates uncorrectable HCS errors which are HCS bit errors detected while the HCS Verification state machine is in the

'Detection Mode' state or HCS bit errors detected but not corrected while the state machine is in the 'Correction Mode' state. The 19-bit receive cell counter counts all cells written into the receive FIFO. Filtered cells are not counted.

Each counter may be read through the microprocessor interface. Circuitry is provided to latch these counters so that their values can be read while simultaneously resetting the internal counters to 0 or 1, if appropriate, so that a new period of accumulation can begin without loss of any events. It is intended that the counter be polled at least once per second so as not to miss HCS error events.

10.7 Receive POS Frame Processor (RXFP)

The Receive POS Frame Processor (RXFP) performs packet extraction, provides FCS error correction, performs packet payload de-scrambling, and provides performance monitoring functions. The RXFP also provides a 256 byte deep receive FIFO. This FIFO is used to separate the STS-3c (STM-1) line timing from the link layer system timing, and to handle timing differences caused by the removal of escape characters.

10.7.1 Overhead Removal

The overhead removal consist of striping SONET/SDH overhead bytes from the data stream. Once overhead bytes are removed, the data stream consists of POS frame octets which can be fed directly to the descrambler or the POS Frame Delineation block.

10.7.2 Descrambler

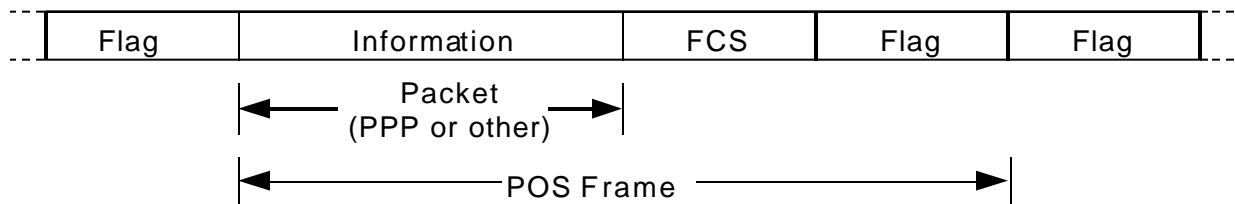
When enabled, the self-synchronous descrambler operates on the POS Frame data, de-scrambling the data with the polynomial $x^{43} + 1$. De-scrambling is performed on the raw data stream, before any POS frame delineation or byte destuffing is performed. Data scrambling can provide for a more robust system preventing the injection of hostile patterns into the data stream.

10.7.3 POS Frame Delineation

This block accepts data one byte at a time and arranges it as POS framed octets. Frame boundaries are found by searching for the Flag Character (0x7E). Flags are also used to fill inter-packet spacing. This block removes the Flag Sequence and passes the data onto the Byte Destuffing block.

The POS Frame Delineation is performed on the descrambled data and consists of arranging the POS framed octets. Frame boundaries are found by searching for the Flag Character (0x7E). Flags are also used to fill inter-packet spacing. This block removes the Flag Sequence and passes the data onto the Byte Destuffing block. The POS Frame format is shown on Figure 7.

Figure 7: Packet Over SONET/SDH Frame Format



In the event of a FIFO overflow caused by the FIFO being full while a packet is being received, the packet is marked with an error so it can be discarded by the system. Following bytes associated with this now aborted frame are discarded. Reception of POS data resumes when a Start of Packet is encountered and the FIFO level is below the programmable Reception Initialization Level (RIL[7:0]).

10.7.4 Byte Destuffing

The byte destuffing algorithm searches for the Control Escape character (0x7D). These characters are added for transparency in the transmit direction, as shown in Table 3, and must be removed to recover the user data. When the Control Escape character is encountered, it is removed and the following data byte is XORed with 0x20. Only the Flag Sequence (0x7E) and the Control Escape character itself are expected to have been escaped in the transmit direction, but this implementation does not preclude escaping other values as well.

Table 3: Byte Destuffing

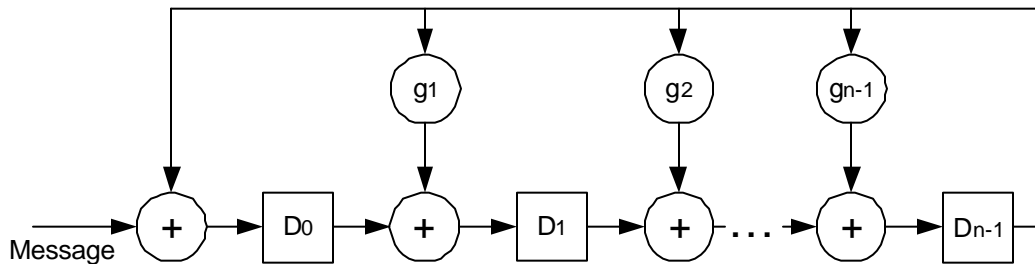
Original	Escaped
7E (Flag Sequence)	7D-5E
7D (Control Escape)	7D-5D
Aborted Packet	7D-7E

10.7.5 FCS Check

The FCS Generator performs a CRC-CCITT or CRC-32 calculation on the whole POS frame, after byte destuffing and data de-scrambling. A parallel implementation of the CRC polynomial is used. The CRC algorithm for the frame

checking sequence (FCS) field is either a CRC-CCITT or CRC-32 function. The CRC-CCITT is two bytes in size and has a generating polynomial $g(X) = 1 + X^5 + X^{12} + X^{16}$. The CRC-32 is four bytes in size and has a generating polynomial $g(X) = 1 + X + X^2 + X^4 + X^5 + X^7 + X^8 + X^{10} + X^{11} + X^{12} + X^{16} + X^{22} + X^{23} + X^{26} + X^{32}$. The first FCS bit transmitted is the coefficient of the highest term. The RXFP-50 implements a CRC decoder that uses a CRC encoder. The coder registers are preset to ones. Then the packet data and CRC are feed in. The result should be a constant number provided in the HDLC documentation. A different value indicates an error. Packets with FCS errors are marked as such and should be discarded by the system.

Figure 8: CRC Decoder



10.7.6 Performance Monitor

The Performance Monitor consists of four 16-bit saturating error event counters and one 24-bit saturating received good packet counter. One of the error event counters accumulates FCS errors. The second error event counter accumulates minimum length violation packets. The third error event counter accumulates maximum length violation packets. The fourth error event counter accumulates aborted packets. The 24-bit receive good packet counter counts all error free packets.

Each counter may be read through the microprocessor interface. Circuitry is provided to latch these counters so that their values can be read while simultaneously resetting the internal counters to 0 or 1, whichever is appropriate, so that a new period of accumulation can begin without loss of any events. The counters are intended to be polled at least once per second so error events will not be missed.

The RXFP-50 monitors the packets for both minimum and maximum length errors. When a packet size is smaller than MINPL[7:0], the packet is marked with an error but still written into the FIFO. Misformed packets, that is packets that do not at least contain the FCS field plus one byte, are treated differently. If a

misformed packet is received and FCS stripping is enabled, the packet is discarded, not written in the FIFO, and counted as a minimum packet size violation. If a misformed packet is received and FCS stripping is disabled, it is written into the FIFO since in this case the misformed packet criteria is reduced to one byte, but will still count as a minimum packet size violation. When the packet size exceeds MAXPL[15:0] the packet is marked with an error and the exceeding bytes are discarded.

Packet greater than 64k bytes are not supported. When the MAXPL is set to 0xFFFF, a packet of length greater than 0xFFFF will generate an MINLI instead of a MAXLI. When the MAXPL value is less than 0xFFFF, the behaviour will be normal for any packet length less than, equal or greater than 0xFFFF. It is recommended to only set MAXPL to a value smaller or equal to 0xFFFE.

10.7.7 Receive FIFO

The Receive FIFO block contains storage for 256 octets, along with management circuitry for reading and writing the FIFO. The receive FIFO provides for the separation of the physical layer timing from the system timing.

Receive FIFO management functions include filling the receive FIFO, indicating when packets or bytes are available to be read from the receive FIFO, maintaining the receive FIFO read and write pointers, and detecting FIFO overrun and underrun conditions. Upon detection of an overrun, the FIFO aborts the current packet and discards the current incoming bytes until there is room in the FIFO. Once enough room is available, as defined by the RIL[7:0] register, the RXFP-50 will wait for the next start of packet before writing any data into the FIFO. FIFO overruns are indicated through a maskable interrupt and register bit and are considered a system error. A FIFO underrun is caused when the System Interface tries to read more data words while the FIFO is empty. This action will be detected and reported through the FUDRI interrupt, but it is not considered a system error. The system will continue to operate normally. In that situation, RVAL can be used by the Link Layer device to find out if valid or invalid data is provided on the System Interface.

10.8 Transmit Line Interface (CSPI)

The Transmit Line Interface allows to directly interface the S/UNI-TETRA with optical modules (ODLs) or other medium interfaces. This block performs clock synthesis and performs parallel to serial conversion of the incoming outgoing 155.52 Mbit/s data stream.

10.8.1 Clock Synthesis

The transmit clock is synthesized from a 19.44 MHz reference. The transfer function yields a typical low pass corner of 2.0 MHz above which reference jitter is attenuated at 12 dB per octave. The design of the loop filter and PLL is optimized for minimum intrinsic jitter. With a jitter free 19.44 MHz reference, the intrinsic jitter is typically less than 0.01 UI RMS when measured using a high pass filter with a 12 kHz cutoff frequency.

The REFCLK reference should be within ± 20 ppm to meet the SONET free-run accuracy requirements specified in GR-253-CORE.

10.8.2 Parallel to Serial Converter

The Parallel to Serial Converter (PISO) converts the transmit byte serial stream to a bit serial stream. Every self-timed channel (a self-timed channel is one that uses the CSU output clock) share a common line rate clock and byte clock, which can be output as TCLK. Only self-timed channels can be synchronized using the TFPI input. When a channel is loop-timed, TCLK, TFPI and TFPI are no more available and the receive signals shall be used instead to extract timing information.

10.9 Transmit Section Overhead Processor (TSOP)

The Transmit Section Overhead Processor (TSOP) provides frame pattern insertion (A1, A2), scrambling, section level alarm signal insertion, and section BIP-8 (B1) insertion.

10.9.1 Line AIS Insert

Line AIS insertion results in all bits of the SONET/SDH frame being set to 1 before scrambling except for the section overhead. The Line AIS Insert Block substitutes all ones as described when enabled through an internal register (Register 0x14 TSOP) accessed through the microprocessor interface. Activation or deactivation of line AIS insertion is synchronized to frame boundaries.

10.9.2 Data Link Insert

The Data Link Insert Block inserts the section data communication channel (bytes D1, D2, and D3) into the STS-3c (STM-1) stream when enabled by an internal register accessed via the common bus interface. The bytes to be inserted are serially input on signal TSD at a nominal 192 kbit/s rate. Timing for upstream processing of the data communication channel is provided by the

TSDCLK signal that is output by the Data Link Insert Block. TSDCLK is derived from a 216 kHz clock that is gapped to yield an average frequency of 192 kHz. TSD is sampled with timing aligned to TSDCLK

10.9.3 BIP-8 Insert

The BIP-8 Insert Block calculates and inserts the BIP-8 error detection code (B1) into the transmit stream.

The BIP-8 calculation is based on the scrambled data of the complete STS-3c (STM-1) frame. The section BIP-8 code is based on a bit interleaved parity calculation using even parity. Details are provided in the references. The calculated BIP-8 code is then inserted into the B1 byte of the following frame before scrambling. BIP-8 errors may be continuously inserted under register control for diagnostic purposes.

10.9.4 Framing and Identity Insert

The Framing and Identity Insert Block inserts the framing bytes (A1, A2) and trace/growth bytes (J0/Z0) into the STS-3c (STM-1) frame. Framing bit errors may be continuously inserted under register control for diagnostic purposes.

10.9.5 Scrambler

The Scrambler Block utilizes a frame synchronous scrambler to process the transmit stream when enabled through an internal register accessed via the microprocessor interface. The generating polynomial is $x^7 + x^6 + 1$. Precise details of the scrambling operation are provided in the references. Note that the framing bytes and the identity bytes are not scrambled. All zeros may be continuously inserted (after scrambling) under register control for diagnostic purposes.

10.10 Transmit Line Overhead Processor (TLOP)

The Transmit Line Overhead Processor (TLOP) provides line level alarm signal insertion, and line BIP -24 insertion (B2).

10.10.1 APS Insert

The APS Insert Block inserts the two automatic protection switch (APS) channel bytes in the Line Overhead (K1 and K2) into the transmit stream when enabled by an internal register.

10.10.2 Data Link Insert

The Data Link Insert Block inserts the line data communication channel (DCC) (bytes D4 to D12) into the STS-3c (STM-1) stream when enabled by an internal register. The D4 to D12 bytes are input serially using the TLD signal at a nominal 576 kbit/s rate. Timing for processing of the line DCC is provided by the TLDCLK output. TLDCLK is derived from a 2.16 MHz clock that is gapped to yield an average frequency of 576 kHz.

10.10.3 Line BIP Calculate

The Line BIP Calculate Block calculates the line BIP-24 error detection code (B2) based on the line overhead and synchronous payload envelope of the transmit stream. The line BIP-24 code is a bit interleaved parity calculation using even parity. Details are provided in the references. The calculated BIP-24 code is inserted into the B2 byte positions of the following frame. BIP-24 errors may be continuously inserted under register control for diagnostic purposes.

10.10.4 Line RDI Insert

The Line RDI Insert Block controls the insertion of line remote defect indication. Line RDI insertion is enabled using the TLRDI input, or register control. Line RDI is inserted by transmitting the code 110 (binary) in bit positions 6, 7, and 8 of the K2 byte contained in the transmit stream.

10.10.5 Line FEBE Insert

The Line FEBE Insert Block accumulates line BIP-24 errors (B2) detected by the Receive Line Overhead Processor and encodes far end block error indications in the transmit M1 byte.

10.11 Transmit Path Overhead Processor (TPOP)

The Transmit Path Overhead Processor (TPOP) provides transport frame alignment generation, pointer generation (H1, H2), path overhead insertion and the insertion of path level alarm signals.

10.11.1 Pointer Generator

The Pointer Generator Block generates the outgoing payload pointer (H1, H2) as specified in the references. The concatenation indication (the NDF field set to

1001, I-bits and D-bits set to all ones, and unused bits set to all zeros) is inserted in the second and third pointer byte locations in the transmit stream.

- (1) A "normal pointer value" locates the start of the SPE. Note: $0 \leq$ "normal pointer value" ≤ 782 , and the new data flag (NDF) field is set to 0110. Note that values greater than 782 may be inserted, using internal registers, to generate a loss of pointer alarm in downstream circuitry.
- (2) Arbitrary "pointer values" may be generated using internal registers. These new values may optionally be accompanied by a programmable new data flag. New data flags may also be generated independently using internal registers.
- (3) Positive pointer movements may be generated using a bit in an internal register. A positive pointer movement is generated by inverting the five I-bits of the pointer word. The SPE is not inserted during the positive stuff opportunity byte position, and the pointer value is incremented by one. Positive pointer movements may be inserted once per frame for diagnostic purposes.
- (4) Negative pointer movements may be generated using a bit in an internal register. A negative pointer movement is generated by inverting the five D-bits of the pointer word. The SPE is inserted during the negative stuff opportunity byte position, the H3 byte, and the pointer value is decremented by one. Negative pointer movements may be inserted once per frame for diagnostic purposes.

The pointer value is used to insert the path overhead into the transmit stream. The current pointer value may be read via internal registers.

10.11.2 BIP-8 Calculate

The BIP-8 Calculate Block performs a path bit interleaved parity calculation on the SPE of the transmit stream. Details are provided in the references. The resulting parity byte is inserted in the path BIP-8 (B3) byte position of the subsequent frame. BIP-8 errors may be continuously inserted under register control for diagnostic purposes.

10.11.3 FEBE Calculate

The FEBE Calculate Block accumulates far end block errors on a per frame basis, and inserts the accumulated value (up to maximum value of eight) in the FEBE bit positions of the path status (G1) byte. The FEBE information is derived

from path BIP-8 errors detected by the receive path overhead processor, RPOP. Far end block errors may be inserted under register control for diagnostic purposes.

10.12 Transmit ATM Cell Processor (TXCP)

The Transmit ATM Cell Processor (TXCP) provides rate adaptation via idle/unassigned cell insertion, provides HCS generation and insertion, and performs ATM cell scrambling. The TXCP contains a four cell transmit FIFO. An idle or unassigned cell is transmitted if a complete ATM cell has not been written into the FIFO.

10.12.1 Idle/Unassigned Cell Generator

The Idle/Unassigned Cell Generator inserts idle or unassigned cells into the cell stream when enabled. Registers are provided to program the GFC, PTI, and CLP fields of the idle cell header and the idle cell payload. The idle cell HCS is automatically calculated and inserted.

10.12.2 Scrambler

The Scrambler scrambles the 48 octet information field. Scrambling is performed using a parallel implementation of the self synchronous scrambler ($x^{43} + 1$ polynomial) described in the references. The cell headers are transmitted unscrambled, and the scrambler may optionally be disabled.

10.12.3 HCS Generator

The HCS Generator performs a CRC-8 calculation over the first four header octets. A parallel implementation of the polynomial, x^8+x^2+x+1 , is used. The coset polynomial, $x^6+x^4+x^2+1$, is added (modulo 2) to the residue. The HCS Generator optionally inserts the result into the fifth octet of the header.

10.13 Transmit POS Frame Processor (TXFP)

The Transmit POS Frame Processor (TXFP) provides rate adaptation by transmitting flag sequences (0x7E) between packets, provides FCS generation and insertion, performs packet data scrambling, and provides performance monitoring functions. The TXFP contains a 256 byte transmit FIFO. This FIFO is used to separate the STS-3c (STM-1) line timing from the link layer system timing, and to handle timing differences caused by insertion of escape characters.

10.13.1 Transmit FIFO

The Transmit FIFO is responsible for holding packets provided through the Input Interface until they are transmitted. The transmit FIFO can accommodate a maximum of 256 bytes. There is no limit on the number of packets that can be stored, other than the FIFO depth limitation. Octets are written in with a single 16 bit data bus running off TFCLK and are read out with a single 8-bit data bus running off the SONET/SDH clock. Separate read and write clock domains provide for separation of the physical layer line timing (PICLK) from the System Link layer timing (TFCLK).

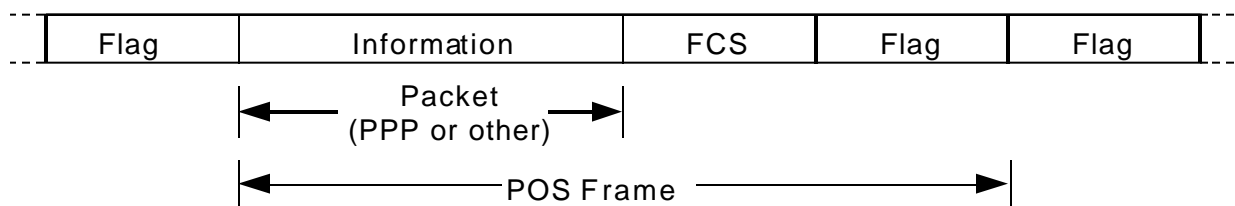
Internal read and write pointers track the insertion and removal of octets, and indicate the fill status of the Transmit FIFO. These status indications are used to detect underrun and overrun conditions, abort packets as appropriate on both System and Line sides, control flag insertion and to generate the TPA outputs.

The TXFP does not abort packets under an overrun condition. The packet will be sent and will appear as a good packet with a good FCS. Overruns should never occur in normal system operating conditions, thus this limitation should not affect the system performance. Overruns can be avoided by setting the high and low watermarks. The optimal setup depends on the system design.

10.13.2 POS Frame Generator

The POS Frame Generator runs off of the SONET/SDH sequencer to create the POS frames to be transmitted, whose format is shown in Figure 7. Flags are inserted whenever the Transmit FIFO is empty and there is no data to transmit. When there is enough data to be transmitted, the block operates normally; it removes the packets from the Transmit FIFO and transmits them. In addition, FCS generation, error insertion, byte stuffing, and scrambling can be optionally enabled.

Figure 9: Packet Over SONET/SDH Frame Format



In the event of a FIFO underflow caused by the FIFO being empty while a packet is being transmitted, the packet is aborted by transmitting the Abort Sequence.

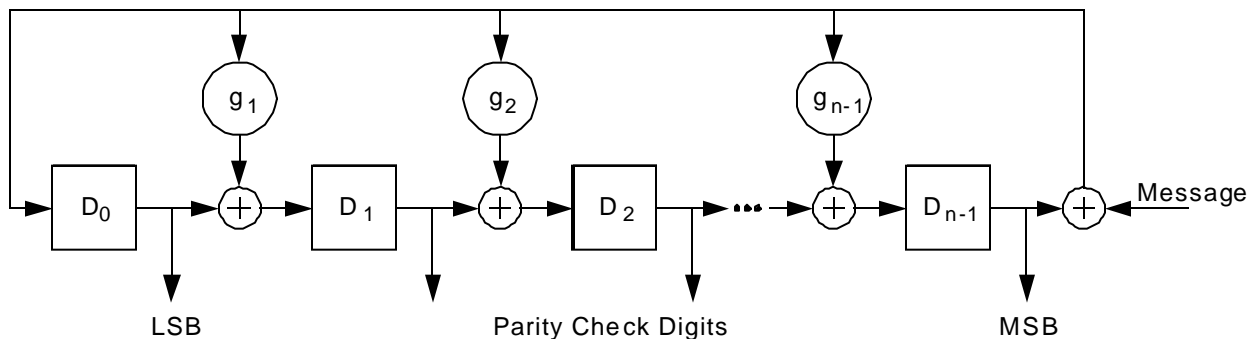
The Abort Sequence consists of an Escape Control character (0x7D) followed by the Flag Sequence (0x7E). Bytes associated with this aborted frame are still read from the FIFO but are discarded and replaced with the Flag Sequence in the outgoing data stream. Transmission of data resumes when a Start of Packet is encountered in the FIFO data stream.

The POS Frame Generator also performs Inter Packet Gaping. This operation consists of inserting a programmable number of Flag Sequence characters between each POS Frame transmission. This feature allows to control the system effective data transmission rate if required.

10.13.3 FCS Generator

The FCS Generator performs a CRC-CCITT or CRC-32 calculation on the whole POS frame, before byte stuffing and data scrambling. A parallel implementation of the CRC polynomial is used. The CRC algorithm for the frame checking sequence (FCS) field is either a CRC-CCITT or CRC-32 function. The CRC-CCITT is two bytes in size and has a generating polynomial $g(X) = 1 + X^5 + X^{12} + X^{16}$. The CRC-32 is four bytes in size and has a generating polynomial $g(X) = 1 + X + X^2 + X^4 + X^5 + X^7 + X^8 + X^{10} + X^{11} + X^{12} + X^{16} + X^{22} + X^{23} + X^{26} + X^{32}$. The first FCS bit transmitted is the coefficient of the highest term. When transmitting a packet from the Transmit FIFO, the FCS Generator appends the result after the last data byte, before the closing flag. Note that the Frame Check Sequence is the one's complement of the CRC register after calculation ends. FCS calculation and insertion can be disabled.

Figure 10: CRC Generator



An error insertion mechanism is provided for system diagnosis purposes. Error insertion is performed by inverting the resulting FCS value, before transmission. This should cause an FCS Error at the far end.

10.13.4 Byte Stuffing

The POS Frame generator provides transparency by performing byte stuffing. This operation is done after the FCS calculation. Two characters need to be escaped, the Flag Sequence (0x7E) and the Escape Character itself (0x7D). When a character is being escaped, it is XORed with 0x20 before transmission and preceded by the Control Escape (0x7D) character.

Table 4: Byte Stuffing

Original	Escaped
7E (Flag Sequence)	7D-5E
7D (Control Escape)	7D-5D
Abort Sequence	7D-7E

10.13.5 Data Scrambling

The Scrambler will optionally scramble the whole packet data, including the FCS and the flags. Scrambling is performed after the POS frame is formed using a parallel implementation of the self synchronous scrambler polynomial, x^43+1 . On reset, the scrambler is set to all ones to ensure scrambling on start-up. The scrambler may optionally be completely disabled. Data scrambling can provide for a more robust system preventing the injection of hostile patterns into the data stream.

10.13.6 SONET/SDH Framer

The SONET/SDH Framer gaps the POS frames in order to insert the SONET/SDH framing and overhead bytes (Section/Line Overhead and Path Overhead). The framer uses framing alignment information provided by the RPOP to perform its function. The TXFP does not set any SONET/SDH overhead byte.

10.14 SONET/SDH Section and Path Trace Buffers (SSTB and SPTB)

The SONET/SDH Section Trace Buffer (SSTB) block and the SONET/SDH Path Trace Buffer (SPTB) block are identical. The blocks can handle both 64-byte CLLI messages in SONET and 16-byte E.164 messages in SDH. The generic SONET/SDH Trace Buffer (STB) block is described below.

10.14.1 Receive Trace Buffer (RTB)

The RTB consists of two parts: the Trace Message Receiver and the Overhead Byte Receiver.

10.14.1.1 Trace Message Receiver

The Trace Message Receiver (TMR) processes the trace message, and consists of three sub-processes: Framer, Persistency, and Compare.

10.14.1.1.1 Framer

The TMR handles the incoming 16-byte message by synchronizing to the byte with the most significant bit set high, and places that byte in the first location in the capture page of the internal RAM. In the case of the 64-byte message, the TMR synchronizes to the trailing carriage return (0x0D), line feed (0x0A) sequence and places the next byte in the first location in the capture page of the internal RAM. The Framer block maintains an internal representation of the resulting 16-byte or 64-byte "frame" cycle. If the phase of the start of frame shifts, the framer adjusts accordingly and resets the persistency counter and increments the unstable counter.

Frame synchronization may be disabled, in which case the RAM acts as a circular buffer.

10.14.1.1.2 Persistency

The Persistency process checks for repeated reception of the same 16-byte or 64-byte trace message. An unstable counter is incremented for each message that differs from the previous received message. For example, a single corrupted message in a field of constant messages causes the unstable count to increment twice, once on receipt of the corrupted message, and again on the next (uncorrupted) message. A section/path trace message unstable alarm is declared when the count reaches eight.

The persistency counter is reset to zero, the unstable alarm is removed, and the trace message is accepted when the same 16-byte or 64-byte message is received three or five times consecutively (as determined by an internal register bit). The accepted message is passed to the Compare process for comparison with the expected message.

10.14.1.1.3 Compare

A receive trace message mismatch alarm is declared if the accepted message (i.e. the message that passed the persistency check) does not match the expected message (previously downloaded to the receive expected page by the microprocessor). The mismatch alarm is removed if the accepted message is all-zero, or if the accepted message is identical to the expected message.

10.14.1.2 Overhead Byte Receiver

The Overhead Byte Receiver (OBR) processes the path signal label byte (C2). The OBR consists of two sub-processes: Persistency and Compare.

10.14.1.2.1 Persistency

The Persistency process checks for the repeated reception of the same C2 byte. An unstable counter is incremented for each received C2 byte that differs from the byte received in the previous frame. For example, a single corrupted byte value in a sequence of constant values causes the unstable count to increment twice, once on receipt of the corrupted value, and again on the next (uncorrupted) value. A path signal label unstable alarm or a synchronization status unstable alarm is declared when either unstable counter reaches five.

The unstable counter is reset to zero, the unstable alarm is removed, and the byte value is accepted when the same label is received in five consecutive frames. The accepted value is passed to the Compare process for comparison with the expected value.

10.14.1.2.2 Compare

A path signal label mismatch alarm or a synchronization status mismatch alarm is declared if the accepted C2 byte (i.e. the byte value that has passed the persistency check) does not match the expected C2 byte (previously downloaded by the microprocessor).

The OBR mismatch mechanism follows the table below:

Table 5: OBR Mismatch Mechanism

Expect	Receive	Action
00	00	Match
00	01	Mismatch
00	XX	Mismatch

01	00	Mismatch
01	01	Match
01	XX	Match
XX	00	Mismatch
XX	01	Match
XX	XX	Match
XX	YY	Mismatch

Note: XX, YY = anything except 00H or 01H (XX not equal YY).

10.14.2 Transmit Trace Buffer (TTB)

The TTB sources the 16-byte or 64-byte trace identifier message. The TTB contains one page of transmit trace identifier message memory. Identifier message data bytes are written by the microprocessor into the message buffer and inserted in the transmit stream. When the microprocessor is updating the transmit page buffer, the TTB may be programmed to transmit null characters to prevent transmission of partial messages.

10.15 ATM UTOPIA and Packet over SONET/SDH POS-PHY System Interfaces

The S/UNI-TETRA system interface can be configured for ATM or POS mode. When configured for ATM applications, the system interface provides a Utopia level 2 compliant bus to transfer ATM cells between the ATM layer device and the S/UNI-TETRA. When configured for POS applications, the system interface is POS-PHY Level 2 compliant and provides a packet or byte level transfer interface that allows the transfer of data packets between the link layer device and the S/UNI-TETRA. The link layer device can implement various protocols, including PPP.

10.15.1 Receive ATM Interface

The Receive ATM FIFO (RXCP) provides FIFO management at the S/UNI-TETRA receive cell interface. The receive FIFO contains four cells. The FIFO provides the cell rate decoupling function between the transmission system physical layer and the ATM layer.

In general, the management functions include filling the receive FIFO, indicating when the receive FIFO contains cells, maintaining the receive FIFO read and write pointers, and detecting FIFO overrun and underrun conditions.

The FIFO interface is "UTOPIA Level 2" compliant and accepts a read clock (RFCLK) and read enable signal (RENB). The receive FIFO output bus

(RDAT[15:0]) is tri-stated when RENB is logic one or if the PHY device address (RADR[4:0]) selected does not match this device's address. The interface indicates the start of a cell (RSOC) and the receive cell available status (RCA and DRCA[4:1]) when data is read from the receive FIFO (using the rising edges of RFCLK). The RCA (and DRCA[x]) status changes from available to unavailable when the FIFO is either empty (RCALevel0=1) or near empty (RCALevel0 is logic zero). This interface also indicates FIFO overruns via a maskable interrupt and register bits. Read accesses while RCA (or DRCA[x]) is a logic zero will output invalid data. The FIFO is reset on FIFO overrun, causing up to 4 cells to be lost.

10.15.2 Receive POS Interface

The Receive POS FIFO (RXFP) provides FIFO management at the S/UNI-TETRA receive packet interface. The receive FIFO contains 256 bytes. The FIFO provides the system rate decoupling function between the transmission system physical layer and the link layer, and to handle timing differences caused by the removal of escape characters.

The interface is based on the POS-PHY Level 2 specification. The POS-PHY Interface is an extension to the UTOPIA 2 interface defined for the transfer of POS frames. Both the POS-PHY Byte-Level and Packet-Level transfer modes are supported.

The RSOP signal is used to identify the start of a packet, the DRPA[x] signal notifies the system side that data is in the receive FIFO (when a programmable number of bytes in a single packet is received or when an end of packet is available); the RDATA[15:0] bus transfer the data from the FIFO across the system interface; the RADR[4:0] signals are used to select the desired PHY device; the RPRTY signal determines the parity on the RDAT bus (selectable as odd or even parity); the RFCLK is used to read words from the FIFO interface; and the RENB is used to initiate reads from the receive FIFO. Signal REOP (Receive End of Packet) is used to identify the end of a packet. Signal RMOD (Receive Mod) is provided to indicate whether 1 or 2 bytes are valid on the final word transfer (REOP is asserted). Signal RERR (Receive Error) is provided to indicate that an error in the received packet has occurred (may have several causes, including an abort sequence and an FCS error). The receive data valid signal, RVAL, plays a special role in this interface. The data signals shall be considered valid only when RVAL is asserted. RVAL is asserted when a data transfer is initiated, conditional to RPA being also asserted. Once the transfer is initiated, RVAL will remain asserted until either the FIFO is empty or an end of packet is encountered. Once deasserted, RVAL will remain low until the current PHY is deselected and another or the same PHY is reselected. RVAL allows the

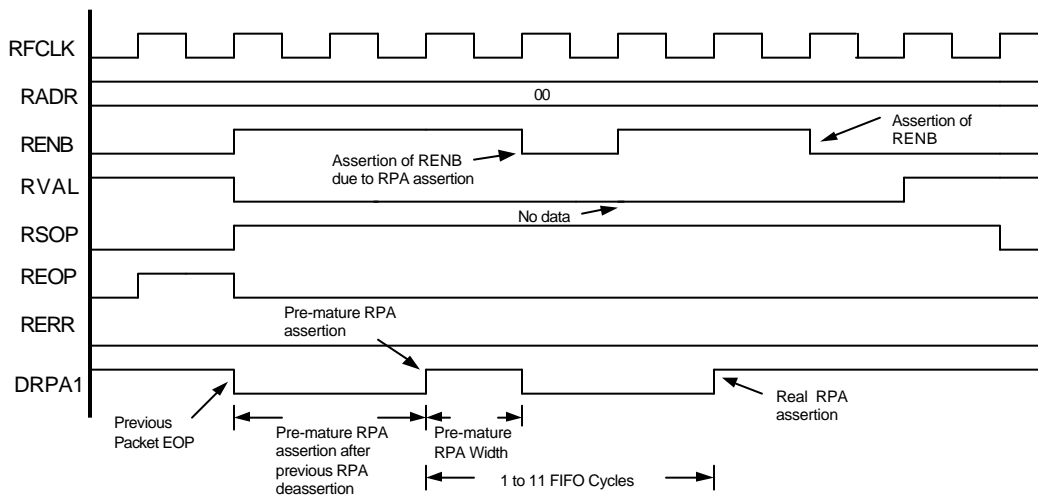
link layer device to align data transfers with packet boundaries, making it easier to manage packet buffers.

10.15.2.1 Premature RPA Assertion

In normal operation, there are a few microseconds of delay between when a SONET frame arrives (with packet data) and to when it is available on the system side interface (the POS-PHY interface RDAT[15:0]). This delay is the time that is required to extract packets from the SONET/SDH frame.

When a packet with less than 22 bytes arrives (from the line side), the receive packet available signal (DRPA[4..1] or PRPA) may assert prematurely. In this condition, RPA will assert between 1 to 11 RFCLK clock cycles before the data is available and will remain asserted for 1 to 11 RFCLK clock cycles. This is shown in Figure 11.

Figure 11 : Pre-mature RPA assertion timing



This condition is created because the FIFO outputs and receives two EOP bytes within four line side clock cycles. The EOP byte that generates the premature RPA will then be available from the FIFO four line clock cycles after the RPA assertion. Thus, packet larger than a minimum length will have sufficient data to provide the POS-PHY interface while the EOP byte is being processed. This minimum packet length is proportional to the ratio between the line side clock and the POS-PHY interface clock. For a line side at OC-3 (19.44MHz) and a POS-PHY interface at 50MHz, at least 22 bytes are required. For any packet

greater than this minimum length, RVAL will stay asserted from the transfer initialization to the transfer of the EOP byte that generated the premature RPA. For any packet length smaller than the minimum length, the transfer may be stopped for lack of available data from the FIFO. In either case, the data will not be corrupted; however, the problem may reduce bandwidth on the receive POS-PHY interface. This problem can not happen for packet larger than the FIFO size since it would be impossible to get two EOP bytes in the FIFO within those four clock cycles. Furthermore, if the packet size is larger than the RPAHWM, the RPA will assert because of the FIFO level and the premature RPA issue will not happen.

10.15.3 Transmit ATM Interface

The ATM Transmit FIFO (TXCP) provides FIFO management at the S/UNI-TETRA transmit cell interface. The transmit FIFO contains four cells. The FIFO depth may be programmed to four, three, two, or one cells. The FIFO provides the cell rate decoupling function between the transmission system physical layer and the ATM layer.

In general, the management functions include emptying cells from the transmit FIFO, indicating when the transmit FIFO is full, maintaining the transmit FIFO read and write pointers, and detecting a FIFO overrun condition.

The FIFO interface is "UTOPIA Level 2" compliant and accepts a write clock (TFCLK), a write enable signal (TENB), the start of a cell (TSOC) indication, the parity bit (TPRTY), and the ATM device address (TADR[4:0]) when data is written to the transmit FIFO (using the rising edges of TFCLK). The interface provides the transmit cell available status (TCA and DTCA[4:1]) which can transition from "available" to "unavailable" when the transmit FIFO is near full (when TCALEVEL0 is logic zero) or when the FIFO is full (when TCALEVEL0 is logic one) and can accept no more writes. To reduce FIFO latency, the FIFO depth at which TCA and DTCA[x] indicates "full" can be set to one, two, three or four cells by the FIFODP[1:0] bits of TXCP Configuration 2 register. If the programmed depth is less than four, more than one cell may be written after TCA or DTCA[x] is asserted as the TXCP still allows four cells to be stored in its FIFO. This interface also indicates FIFO overruns via a maskable interrupt and register bit, but write accesses while TCA or DTCA[x] is logic zero are not processed. The TXCP automatically transmits idle cells until a full cell is available to be transmitted.

10.15.4 Transmit POS Interface

The Transmit POS FIFO (TXFP) provides FIFO management at the S/UNI-TETRA transmit packet interface. The transmit FIFO contains 256 bytes. The FIFO provides the system rate decoupling function between the transmission system physical layer and the link layer, and handles timing differences caused by the insertion of escape characters.

The interface is based on the POS-PHY Level 2 specification. The POS-PHY Interface is an extension to the UTOPIA 2 interface defined for the transfer of POS frames. Both the POS-PHY Byte-Level and Packet-Level transfer modes are supported.

The TSOP signal is used to identify the start of a packet; the DTPA[x] signals notify the system side that the transmit FIFO is not full (the POS processor will not start transmitting a packet until a programmable number of bytes for a single packet or the entire packet is in the FIFO; the TDAT[15:0] bus transfers the data to the FIFO from the system interface; the TADR[4:0] bus is used in polling to select the desired PHY device; the TPRTY signal determines the parity on the TDAT bus (selectable as odd or even parity); the TFCLK is used to write words to the FIFO interface; and finally the TENB is used to initiate writes to the transmit.

The TEOB signal (Transmit End of Packet) is used to identify the end of a packet. The TMOB signal (Transmit Mod) is provided to indicate whether 1 or 2 bytes are valid of the final word transfer (TEOB is asserted). The TERR signal (Transmit Error) is provided to error a packet that has begun transmission (the packet will be aborted).

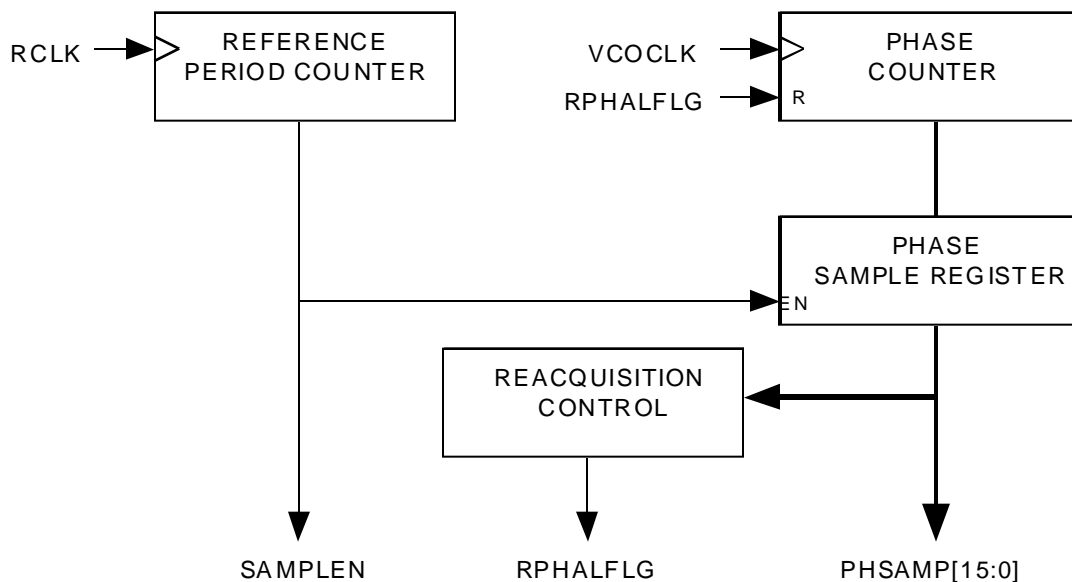
10.16 WAN Synchronization Controller (WANS)

The WANS provides hardware support to implement a local clock reference compliant to SONET Stratum 3 clock specifications (GR-253-CORE & GR-1244-CORE) in wander transfer, long term and holdover stability. The WANS is intended to be used in conjunction with an external processor, DAC, analog circuitry and VCXO. The software running on the external processor is responsible for performing: digital loop filtering, temperature compensation, VCXO linearity compensation; determining the validity of the timing reference; and performing reference switchover if need be. A description of how to program and use the WANS feature will be made available in the S/UNI-TETRA reference design (PMC-980322). A description of the functionality supplied by the WANS block is given below. The WANS block contains circuitry to implement a digital phase comparison between the reference clock (RCLK) and the variable clock (VCOCLK). It also performs an averaging process of the value obtained.

10.16.1 Phase Comparison

The phase comparison between the reference clock (RCLK) and the variable clock (or VCXO clock, VCOCLK) is implemented by sampling at a fixed interval, the Reference Period of Phase Counter output.

Figure 12. Phase Comparator Block Diagram



Successive reading of the value obtained, referred to as phase sample (PHSAMP), can be used to calculate the phase relation between both clocks. Both the Reference Counter and the Phase Counter are programmable counters and are set to have equal cycle period. Therefore, if VCOCLK is locked to RCLK, successive readings of the phase sample would be equal. The phase sample value would increase or decrease depending if VCOCLK is faster or slower than RCLK.

The Reference Period is obtained by dividing RCLK. At each reference period, a signal enabling the sampling (SAMPLEN) of the Phase Counter is produced. This signal is resynchronized to VCOCLK to avoid any potential metastability problem that could result from the asynchronous nature of both clocks.

10.16.1.1 Phase Reacquisition Control

The Phase Reacquisition Control circuit prevents using phase samples from both sides of the counter wrap-around-point when performing the Phase Sample averaging. The Phase Count is first divided into four quadrants, each equal to

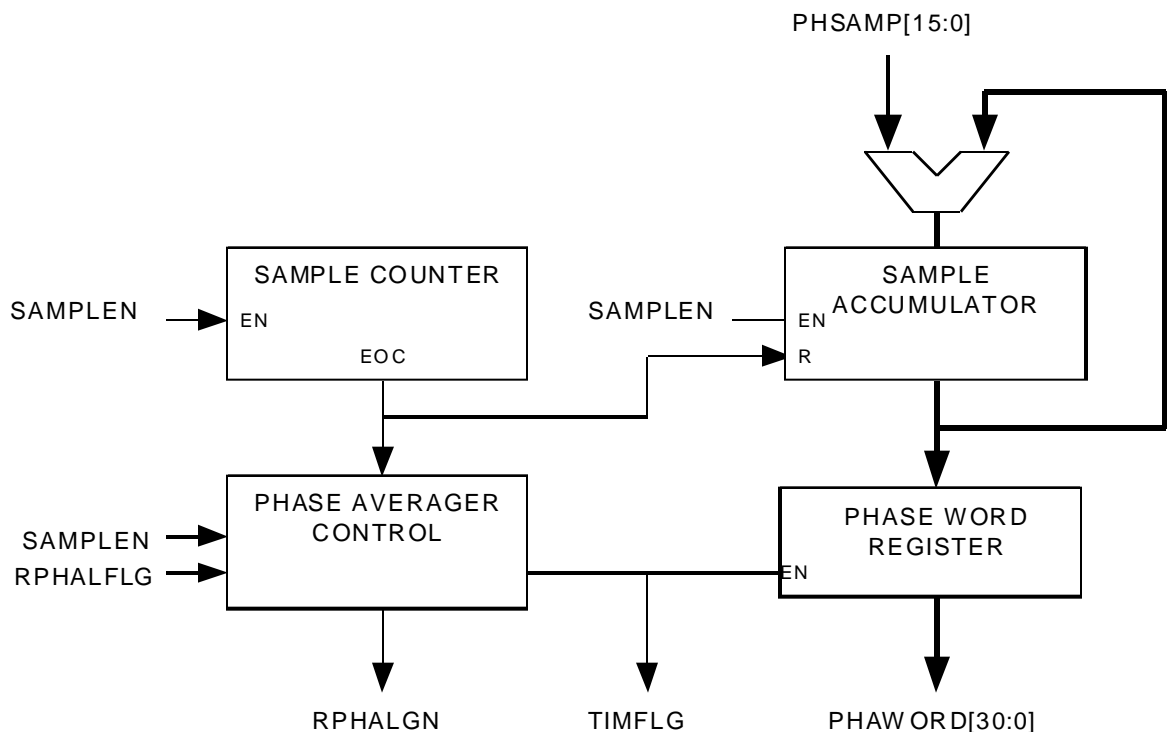
approximatively a quarter of the Phase Count. Comparators are used to determine the quadrant that each phase sample is located. The Phase Alignment Flag (RPHALFLG) is generated when a sample in the first quadrant is followed successively by a sample in the last quadrant.

Upon reception of this signal, the Phase Counter is reset to align the phase count sampling point towards its middle count. This signal is also sent to the Phase Averager circuit. The generation of this signal is user controllable by setting the AUTOREAC bit of the WANS configuration register.

10.16.2 Phase Averager

To provide some noise immunity and improve the resolution of the phase detector algorithm of the WANS, the phase samples are averaged over a programmable number of samples.

Figure 13. Phase Averager Block Diagram



Although referred to as an averaging process, it is truly an accumulation process. It retains full resolution, i.e. no division is performed on the accumulated value. The Phase Word includes an integer and a fractional part. The number of averaging samples sets the size of the fractional part.

A programmable counter, the Sample Counter, is incremented at each SAMPLEN signal. This Sample Counter defines the Phase Averaging Period, equal to the Reference Period times the programmed number of phase samples. At the end of this period, the accumulated phase sample value is transferred to the Phase Word register. The Phase Word (PHAWORD) is then accessible for read operations by an external processor. A timer flag (TIMFLG) is raised at the end of the averaging period. The flag is used to generate an interrupt request to an outside processor.

Because it indicates that the averaging process includes invalid sample values, the reception of the RPHALFLG signal prevents the Phase Word register to be updated at the end of the current Phase Averaging period. The RPHAFLG signal will also send the Reference Phase Alignment condition signal (RPHALGN) to the status register. The RPHALGN signal is reset at the end of the following valid Phase Averaging period.

10.17 JTAG Test Access Port

The JTAG Test Access Port block provides JTAG support for boundary scan. The standard JTAG EXTEST, SAMPLE, BYPASS, IDCODE and STCTEST instructions are supported. The S/UNI-TETRA identification code is 053510CD hexadecimal.

10.18 Microprocessor Interface

The microprocessor interface block provides normal and test mode registers, and the logic required to connect to the microprocessor interface. The normal mode registers are required for normal operation, and test mode registers are used to enhance the testability of the S/UNI-TETRA. The register set is accessed as shown in Table 6. In the following section every register is documented and identified using the register number (REG #). The corresponding memory map address for every channel (CH #1,2,3,4) is given in the table. Addresses that are not shown are not used and must be treated as Reserved.

Table 6: Register Memory Map

Address A[10:0]					Description
REG #	CH #1	CH #2	CH #3	CH #4	
00	000				S/UNI-TETRA Master Reset and Identity
01	001				S/UNI-TETRA Master Configuration
02	002				S/UNI-TETRA Master System Interface Config
03	003				S/UNI-TETRA Master Clock Monitor
04	004				S/UNI-TETRA Master Interrupt Status

Address A[10:0]					Description
REG #	CH #1	CH #2	CH #3	CH #4	
05	005	105	205	305	S/UNI-TETRA Channel Reset and Performance Monitoring Update
06	006	106	206	206	S/UNI-TETRA Channel Configuration
07	007	107	207	307	S/UNI-TETRA Channel Control
08	008	108	208	308	S/UNI-TETRA Channel Control Extensions
09	009	109	209	309	Reserved
0A	00A	10A	20A	30A	S/UNI-TETRA Channel Interrupt Status 1
0B	00B	10B	20B	30B	S/UNI-TETRA Channel Interrupt Status 2
0C	00C				CSPI Control and Status (Clock Synthesis)
0D	00D				CSPI Reserved (Clock Synthesis)
0E	00E	10E	20E	30E	CRSI Control and Status (Clock Recovery)
0F	00F	10F	20F	30F	CRSI Reserved-PLL Mode Select (Clock Recovery)
10	010	110	210	310	RSOP Control/Interrupt Enable
11	011	111	211	311	RSOP Status/Interrupt Status
12	012	112	212	312	RSOP Section BIP-8 LSB
13	013	113	213	313	RSOP Section BIP-8 MSB
14	014	114	214	314	TSOP Control
15	015	115	215	315	TSOP Diagnostic
16	016	116	216	316	TSOP Reserved
17	017	117	217	317	TSOP Reserved
18	018	118	218	318	RLOP Control/Status
19	019	119	219	319	RLOP Interrupt Enable/Status
1A	01A	11A	21A	31A	RLOP Line BIP-24 LSB
1B	01B	11B	21B	31B	RLOP Line BIP-24
1C	01C	11C	21C	31C	RLOP Line BIP-24 MSB
1D	01D	11D	21D	31D	RLOP Line FEBE LSB
1E	01E	11E	21E	31E	RLOP Line FEBE
1F	01F	11F	21F	31F	RLOP Line FEBE MSB
20	020	120	220	320	TLOP Control
21	021	121	221	321	TLOP Diagnostic
22	022	122	222	322	TLOP Transmit K1
23	023	123	223	323	TLOP Transmit K2
24	024	124	224	324	S/UNI-TETRA Channel Transmit Synchronization Message (S1)
25	025	125	225	325	S/UNI-TETRA Channel Transmit J0/Z0
26	026	126	226	326	Reserved
27	027	127	227	327	Reserved

Address A[10:0]					Description
REG #	CH #1	CH #2	CH #3	CH #4	
28	028	128	228	328	SSTB Control
29	029	129	229	329	SSTB Status
2A	02A	12A	22A	32A	SSTB Indirect Address
2B	02B	12B	22B	32B	SSTB Indirect Data
2C	02C	12C	22C	32C	SSTB Reserved
2D	02D	12D	22D	32D	SSTB Reserved
2E	02E	12E	22E	32E	SSTB Reserved
2F	02F	12F	22F	32F	SSTB Reserved
30	030	130	230	330	RPOP Status/Control (EXTD=0)
30	030	130	230	330	RPOP Status/Control (EXTD=1)
31	031	131	231	331	RPOP Interrupt Status (EXTD=0)
31	031	131	231	331	RPOP Interrupt Status (EXTD=1)
32	032	132	232	332	RPOP Pointer Interrupt Status
33	033	133	233	333	RPOP Interrupt Enable (EXTD=0)
33	033	133	233	333	RPOP Interrupt Enable (EXTD=1)
34	034	134	234	334	RPOP Pointer Interrupt Enable
35	035	135	235	335	RPOP Pointer LSB
36	036	136	236	336	RPOP Pointer MSB and RDI Filter Control
37	037	137	237	337	RPOP Path Signal Label
38	038	138	238	338	RPOP Path BIP-8 LSB
39	039	139	239	339	RPOP Path BIP-8 MSB
3A	03A	13A	23A	33A	RPOP Path FEBE LSB
3B	03B	13B	23B	33B	RPOP Path FEBE MSB
3C	03C	13C	23C	33C	RPOP Auxiliary RDI
3D	03D	13D	23D	33D	RPOP Path BIP-8 Configuration
3E	03E	13E	23E	33E	RPOP Reserved
3F	03F	13F	23F	33F	RPOP Reserved
40	040	140	240	340	TPOP Control/Diagnostic
41	041	141	241	341	TPOP Pointer Control
42	042	142	242	342	TPOP Reserved
43	043	143	243	343	TPOP Current Pointer LSB
44	044	144	244	344	TPOP Current Pointer MSB
45	045	145	245	345	TPOP Arbitrary Pointer LSB
46	046	146	246	346	TPOP Arbitrary Pointer MSB
47	047	147	247	347	TPOP Path Trace
48	048	148	248	348	TPOP Path Signal Label
49	049	149	249	349	TPOP Path Status
4A	04A	14A	24A	34A	TPOP Reserved

Address A[10:0]					Description
REG #	CH #1	CH #2	CH #3	CH #4	
4B	04B	14B	24B	34B	TPOP Reserved
4C	04C	14C	24C	34C	TPOP Reserved
4D	04D	14D	24D	34D	TPOP Reserved
4E	04E	14E	24E	34E	TPOP Reserved
4F	04F	14F	24F	34F	TPOP Reserved
50	050	150	250	350	SPTB Control
51	051	151	251	351	SPTB Status
52	052	152	252	352	SPTB Indirect Address
53	053	153	253	353	SPTB Indirect Data
54	054	154	254	354	SPTB Expected Path Signal Label
55	055	155	255	355	SPTB Path Signal Label Status
56	056	156	256	356	SPTB Reserved
57	057	157	257	357	SPTB Reserved
58	058	158	258	358	Reserved
59	059	159	259	359	Reserved
5A	05A	15A	25A	35A	Reserved
5B	05B	15B	25B	35B	Reserved
5C	05C	15C	25C	35C	Reserved
5D	05D	15D	25D	35D	Reserved
5E	05E	15E	25E	35E	Reserved
5F	05F	15F	25F	35F	Reserved
60	060	160	260	360	RXCP Configuration 1
61	061	161	261	361	RXCP Configuration 2
62	062	162	262	362	RXCP FIFO/UTOPIA Control & Config
63	063	163	263	363	RXCP Interrupt Enables and Counter Status
64	064	164	264	364	RXCP Status/Interrupt Status
65	065	165	265	365	RXCP LCD Count Threshold (MSB)
66	066	166	266	366	RXCP LCD Count Threshold (LSB)
67	067	167	267	367	RXCP Idle Cell Header Pattern
68	068	168	268	368	RXCP Idle Cell Header Mask
69	069	169	269	369	RXCP Corrected HCS Error Count
6A	06A	16A	26A	36A	RXCP Uncorrected HCS Error Count
6B	06B	16B	26B	36B	RXCP Received Cell Count LSB
6C	06C	16C	26C	36C	RXCP Received Cell Count
6D	06D	16D	26D	36D	RXCP Received Cell Count MSB
6E	06E	16E	26E	36E	RXCP Idle Cell Count LSB
6F	06F	16F	26F	36F	RXCP Idle Cell Count
70	070	170	270	370	RXCP Idle Cell Count MSB

Address A[10:0]					Description
REG #	CH #1	CH #2	CH #3	CH #4	
71	071	171	271	371	RXCP Reserved
72	072	172	272	372	RXCP Reserved
73	073	173	273	373	RXCP Reserved
74	074	174	274	374	RXCP Reserved
75	075	175	275	375	RXCP Reserved
76	076	176	276	376	RXCP Reserved
77	077	177	277	377	RXCP Reserved
78	078	178	278	378	RXCP Reserved
79	079	179	279	379	RXCP Reserved
7A	07A	17A	27A	37A	RXCP Reserved
7B	07B	17B	27B	37B	RXCP Reserved
7C	07C	17C	27C	37C	RXCP Reserved
7D	07D	17D	27D	37D	RXCP Reserved
7E	07E	17E	27E	37E	RXCP Reserved
7F	07F	17F	27F	37F	RXCP Reserved
80	080	180	280	380	TXCP Configuration 1
81	081	181	281	381	TXCP Configuration 2
82	082	182	282	382	TXCP Transmit Cell Status/Configuration Options
83	083	183	283	383	TXCP Interrupt Enable/Status
84	084	184	284	384	TXCP Idle Cell Header Control
85	085	185	285	385	TXCP Idle Cell Payload Control
86	086	186	286	386	TXCP Transmit Cell Counter LSB
87	087	187	287	387	TXCP Transmit Cell Counter
88	088	188	288	388	TXCP Transmit Cell Counter MSB
89	089	189	289	389	TXCP Reserved
8A	08A	18A	28A	38A	TXCP Reserved
8B	08B	18B	28B	38B	TXCP Reserved
8C	08C	18C	28C	38C	TXCP Reserved
8D	08D	18D	28D	38D	TXCP Reserved
8E	08E	18E	28E	38E	TXCP Reserved
8F	08F	18F	28F	38F	TXCP Reserved
90	090	190	290	390	S/UNI-TETRA Channel Auto Line RDI Control
91	091	191	291	391	S/UNI-TETRA Channel Auto Path RDI Control
92	092	192	292	392	S/UNI-TETRA Channel Auto Enhanced Path RDI Control
93	093	193	293	393	S/UNI-TETRA Channel Receive RDI and Enhanced RDI Control Extensions
94	094	194	294	394	S/UNI-TETRA Channel Receive Line AIS Control

Address A[10:0]					Description
REG #	CH #1	CH #2	CH #3	CH #4	
95	095	195	295	395	S/UNI-TETRA Channel Receive Path AIS Control
96	096	196	296	396	S/UNI-TETRA Channel Receive Alarm Control #1
97	097	197	297	397	S/UNI-TETRA Channel Receive Alarm Control #2
98	098	198	298	398	Reserved
99	099	199	299	399	Reserved
9A	09A	19A	29A	39A	Reserved
9B	09B	19B	29B	39B	Reserved
9C	09C	19C	29C	39C	Reserved
9D	09D	19D	29D	39D	Reserved
9E	09E	19E	29E	39E	Reserved
9F	09F	19F	29F	39F	Reserved
A0	0A0	1A0	2A0	3A0	RXFP-50 Configuration
A1	0A1	1A1	2A1	3A1	RXFP-50 Configuration/Interrupt Enables
A2	0A2	1A2	2A2	3A2	RXFP-50 Interrupt Status
A3	0A3	1A3	2A3	3A3	RXFP-50 Minimum Packet Size
A4	0A4	1A4	2A4	3A4	RXFP-50 Maximum Packet Size (LSB)
A5	0A5	1A5	2A5	3A5	RXFP-50 Maximum Packet Size (MSB)
A6	0A6	1A6	2A6	3A6	RXFP-50 Receive Initiation Level
A7	0A7	1A7	2A7	3A7	RXFP-50 Receive Packet Available High Mark
A8	0A8	1A8	2A8	3A8	RXFP-50 Receive Byte Counter (LSB)
A9	0A9	1A9	2A9	3A9	RXFP-50 Receive Byte Counter
AA	0AA	1AA	2AA	3AA	RXFP-50 Receive Byte Counter
AB	0AB	1AB	2AB	3AB	RXFP-50 Receive Byte Counter (MSB)
AC	0AC	1AC	2AC	3AC	RXFP-50 Receive Frame Counter (LSB)
AD	0AD	1AD	2AD	3AD	RXFP-50 Receive Frame Counter
AE	0AE	1AE	2AE	3AE	RXFP-50 Receive Frame Counter (MSB)
AF	0AF	1AF	2AF	3AF	RXFP-50 Aborted Frame Count (LSB)
B0	0B0	1B0	2B0	3B0	RXFP-50 Aborted Frame Count (MSB)
B1	0B1	1B1	2B1	3B1	RXFP-50 FCS Error Frame Count (LSB)
B2	0B2	1B2	2B2	3B2	RXFP-50 FCS Error Frame Count (LSB)
B3	0B3	1B3	2B3	3B3	RXFP-50 Min Length Frame Count (LSB)
B4	0B4	1B4	2B4	3B4	RXFP-50 Min Length Frame Count (MSB)
B5	0B5	1B5	2B5	3B5	RXFP-50 Max Length Frame Count (LSB)
B6	0B6	1B6	2B6	3B6	RXFP-50 Max Length Frame Count (MSB)
B7	0B7	1B7	2B7	3B7	RXFP-50 Reserved
B8	0B8	1B8	2B8	3B8	RXFP-50 Reserved
B9	0B9	1B9	2B9	3B9	RXFP-50 Reserved
BA	0BA	1BA	2BA	3BA	RXFP-50 Reserved

Address A[10:0]					Description
REG #	CH #1	CH #2	CH #3	CH #4	
BB	0BB	1BB	2BB	3BB	RXFP-50 Reserved
BC	0BC	1BC	2BC	3BC	RXFP-50 Reserved
BD	0BD	1BD	2BD	3BD	RXFP-50 Reserved
BE	0BE	1BE	2BE	3BE	RXFP-50 Reserved
BF	0BF	1BF	2BF	3BF	RXFP-50 Reserved
C0	0C0	1C0	2C0	3C0	TXFP-50 Interrupt Enable/Status Configuration 1
C1	0C1	1C1	2C1	3C1	TXFP-50 Configuration 2
C2	0C2	1C2	2C2	3C2	TXFP-50 Control
C3	0C3	1C3	2C3	3C3	TXFP-50 Transmit Packet Available Low Water Mark
C4	0C4	1C4	2C4	3C4	TXFP-50 Transmit Packet Available High Water Mark
C5	0C5	1C5	2C5	3C5	TXFP-50 Transmit Byte Counter (LSB)
C6	0C6	1C6	2C6	3C6	TXFP-50 Transmit Byte Counter
C7	0C7	1C7	2C7	3C7	TXFP-50 Transmit Byte Counter
C8	0C8	1C8	2C8	3C8	TXFP-50 Transmit Byte Counter (MSB)
C9	0C9	1C9	2C9	3C9	TXFP-50 Transmit Frame Counter (LSB)
CA	0CA	1CA	2CA	3CA	TXFP-50 Transmit Frame Counter
CB	0CB	1CB	2CB	3CB	TXFP-50 Transmit Frame Counter (MSB)
CC	0CC	1CC	2CC	3CC	TXFP-50 Transmit User Aborted Frame Count (LSB)
CD	0CD	1CD	2CD	3CD	TXFP-50 Transmit User Aborted Frame Count (MSB)
CE	0CE	1CE	2CE	3CE	TXFP-50 Transmit FIFO Error Aborted Frame Count (LSB)
CF	0CF	1CF	2CF	3CF	TXFP-50 Transmit FIFO Error Aborted Frame Count (MSB)
D0	0D0	1D0	2D0	3D0	WANS Configuration Register
D1	0D1	1D1	2D1	3D1	WANS Interrupt & Status Register
D2	0D2	1D2	2D2	3D2	WANS Phase Word (LSB)
D3	0D3	1D3	2D3	3D3	WANS Phase Word
D4	0D4	1D4	2D4	3D4	WANS Phase Word
D5	0D5	1D5	2D5	3D5	WANS Phase Word (MSB)
D6	0D6	1D6	2D6	3D6	WANS Reserved
D7	0D7	1D7	2D7	3D7	WANS Reserved
D8	0D8	1D8	2D8	3D8	WANS Reserved
D9	0D9	1D9	2D9	3D9	WANS Reference Period (LSB)
DA	0DA	1DA	2DA	3DA	WANS Reference Period (MSB)
DB	0DB	1DB	2DB	3DB	WANS Phase Counter Period (LSB)

Address A[10:0]					Description
REG #	CH #1	CH #2	CH #3	CH #4	
DC	0DC	1DC	2DC	3DC	WANS Phase Counter Period (MSB)
DD	0DD	1DD	2DD	3DD	WANS Phase Average Period
DE	0DE	1DE	2DE	3DE	WANS Reserved
DF	0DF	1DF	2DF	3DF	WANS Reserved
E0	0E0	1E0	2E0	3E0	RASE Interrupt Enable
E1	0E1	1E1	2E1	3E1	RASE Interrupt Status
E2	0E2	1E2	2E2	3E2	RASE Configuration/Control
E3	0E3	1E3	2E3	3E3	RASE SF BERM Accumulation Period (LSB)
E4	0E4	1E4	2E4	3E4	RASE SF BERM Accumulation Period
E5	0E5	1E5	2E5	3E5	RASE SF BERM Accumulation Period (MSB)
E6	0E6	1E6	2E6	3E6	RASE SF BERM Saturation Threshold (LSB)
E7	0E7	1E7	2E7	3E7	RASE SF BERM Saturation Threshold (MSB)
E8	0E8	1E8	2E8	3E8	RASE SF BERM Declaring Threshold (LSB)
E9	0E9	1E9	2E9	3E9	RASE SF BERM Declaring Threshold (MSB)
EA	0EA	1EA	2EA	3EA	RASE SF BERM Clearing Threshold (LSB)
EB	0EB	1EB	2EB	3EB	RASE SF BERM Clearing Threshold (MSB)
EC	0EC	1EC	2EC	3EC	RASE SD BERM Accumulation Period (LSB)
ED	0ED	1ED	2ED	3ED	RASE SD BERM Accumulation Period
EE	0EE	1EE	2EE	3EE	RASE SD BERM Accumulation Period (MSB)
EF	0EF	1EF	2EF	3EF	RASE SD BERM Saturation Threshold (LSB)
F0	0F0	1F0	2F0	3F0	RASE SD BERM Saturation Threshold (MSB)
F1	0F1	1F1	2F1	3F1	RASE SD BERM Declaring Threshold (LSB)
F2	0F2	1F2	2F2	3F2	RASE SD BERM Declaring Threshold (MSB)
F3	0F3	1F3	2F3	3F3	RASE SD BERM Clearing Threshold (LSB)
F4	0F4	1F4	2F4	3F4	RASE SD BERM Clearing Threshold (MSB)
F5	0F5	1F5	2F5	3F5	RASE APS K1
F6	0F6	1F6	2F6	3F6	RASE APS K2
F7	0F7	1F7	2F7	3F7	RASE Synchronization Status S1
F8	0F8	1F8	2F8	3F8	Reserved
F9	0F9	1F9	2F9	3F9	Reserved
FA	0FA	1FA	2FA	3FA	Reserved
FB	0FB	1FB	2FB	3FB	Reserved
FC	0FC	1FC	2FC	3FC	Reserved
FD	0FD	1FD	2FD	3FD	Reserved
FE	0FE	1FE	2FE	3FE	Reserved
FF	0FF	1FF	2FF	3FF	Reserved
	400				S/UNI-TETRA Master Test Register
	401	501	601	701	Reserved for Test

Address A[10:0]					Description
REG #	CH #1	CH #2	CH #3	CH #4	
	- 4FF	- 5FF	- 6FF	- 7FF	

Notes on Register Memory Map:

- For all register accesses, CSB must be low.
- Addresses that are not shown must be treated as Reserved.
- A[10] is the test register select (TRS) and should be set to logic zero for normal mode register access.

11 NORMAL MODE REGISTER DESCRIPTION

Normal mode registers are used to configure and monitor the operation of the S/UNI-TETRA. Normal mode registers (as opposed to test mode registers) are selected when TRS (A[10]) is low.

Notes on Normal Mode Register Bits:

1. Writing values into unused register bits has no effect. However, to ensure software compatibility with future, feature-enhanced versions of the product, unused register bits must be written with logic zero. Reading back unused bits can produce either a logic one or a logic zero; hence, unused register bits should be masked off by software when read.
2. All-Most configuration bits that can be written into can also be read back. This allows the processor controlling the S/UNI-TETRA to determine the programming state of the block. Exceptions to this rule are indicated by the Type field in the register description.
3. Writable normal mode register bits are cleared to logic zero upon reset unless otherwise noted.
4. Writing into read-only normal mode register bit locations does not affect S/UNI-TETRA operation unless otherwise noted. Performance monitoring counters registers are a common exception.
5. Certain register bits are reserved. These bits are associated with megacell functions that are unused in this application. To ensure that the S/UNI-TETRA operates as intended, reserved register bits must be written with their default value as indicated by the register bit description.

Register 0x00: S/UNI-TETRA Master Reset and Identity

Bit	Type	Function	Default
Bit 7	R/W	RESET	0
Bit 6	R	TYPE[3]	1
Bit 5	R	TYPE[2]	1
Bit 4	R	TYPE[1]	1
Bit 3	R	TYPE[0]	1
Bit 2	R	ID[2]	0
Bit 1	R	ID[1]	1
Bit 0	R	ID[0]	0

This register allows the revision of the S/UNI-TETRA to be read by software permitting graceful migration to support newer feature enhanced versions of the S/UNI-TETRA. It also provides software reset capability.

ID[2:0]:

The ID bits can be read to provide a binary S/UNI-TETRA revision number.

TYPE[3:0]:

The TYPE bits distinguish the S/UNI-TETRA from the other members of the S/UNI family of devices.

RESET:

The RESET bit allows the S/UNI-TETRA to be reset under software control. If the RESET bit is a logic one, the entire S/UNI-TETRA is held in reset. This bit is not self-clearing. Therefore, a logic zero must be written to bring the S/UNI-TETRA out of reset. Holding the S/UNI-TETRA in a reset state places it into a low power, stand-by mode. A hardware reset clears the RESET bit, thus negating the software reset. Otherwise, the effect of a software reset is equivalent to that of a hardware reset.

Register 0x01: S/UNI-TETRA Master Configuration

Bit	Type	Function	Default
Bit 7	R/W	PECLV	0
Bit 6	R/W	Reserved	0
Bit 5	R/W	TFPO_CH[1]	0
Bit 4	R/W	TFPO_CH[0]	0
Bit 3	R/W	TXC_OE	0
Bit 2	R/W	Reserved	0
Bit 1	R/W	Reserved	1
Bit 0	R/W	Reserved	1

TXC_OE:

The differential line rate clock output enable (TXC_OE). TXC_OE enables the TXC+/- outputs. When TXC_OE is set to logic zero TXC+/- is not active (high impedance). When TXC_OE is set to logic one, TXC+/- provides a line rate clock output.

TFPO_CH[1:0]:

The transmit frame pulse channel select (TFPO_CH[1:0]) bits selects which channel's transmit frame pulse is available on the TFPO output pin. Since the RFPO1-4 output pins are providing transmit timing information for loop-timed channels, it is suggested (but not mandatory) that a self-timed channel be selected. Self-timed channels all operate off the same clock synthesis unit and thus have a common timing reference (their frequency will be identical although their frame pulses might not be aligned).

Table 8: TFPO Channel Selection

TFPO_CH[1:0]	Selected Channel
00	Channel #1
01	Channel #2
10	Channel #3
11	Channel #4

PECLV:

The PECL receiver input voltage (PECLV) bit configures the PECL receiver level shifter. When PECLV is set to logic zero, the PECL receivers are configured to operate with a 3.3V input voltage. When PECLV is set to logic one, the PECL receivers are configured to operate with a 5.0V input voltage.

Reserved:

The reserved bits must be programmed to their default value proper operation.

Register 0x02: S/UNI-TETRA Master System Interface Control

Bit	Type	Function	Default
Bit 7	R/W	PHY_ADR[2]	0
Bit 6	R/W	PHY_ADR[1]	0
Bit 5	R/W	PHY_ADR[0]	0
Bit 4	R/W	PHY_EN	0
Bit 3		Unused	X
Bit 2	R/W	Reserved	0
Bit 1	R/W	POS_PLVL	0
Bit 0	R/W	ATM_POS	0

ATM_POS:

The ATM_POS bit selects between the ATM and Packet over SONET/SDH modes of operation. When ATM_POS is set to logic zero, the device implements the ATM physical layer. When ATM_POS is set to logic one, the device implement the Packet over SONET/SDH physical layer. This register bit affects the SONET/SDH mapping as well as the pin definition on the System Interface (Utopia) bus.

POS_PLVL:

The POS_PLVL bit selects between byte-level and packet-level transfer when the device is in POS mode (as selected by the ATM_POS bit). When POS_PLVL is set to logic zero, the device operates in byte-level transfer mode. When POS_PLVL is set to logic one, the device operates in packet-level transfer mode. Refer to the OPERATIONS section for a description of these modes. PHY_EN:

The PHY_EN enables the System Interface (Utopia bus). When set to logic zero, all the output signals of the System Interface are held in high impedance with the exception of TPA and RPA which can still be driven. When set to logic one, the System Interface is driven. This register bit must be set to logic one to start using the device. If the System Interface is shared by several PHY layer devices, they should all be configured with their own unique PHY_ADR[2:0] (see below) value before enabling them, otherwise conflicts could occur on the bus resulting in damages to the devices.

PHY_ADR[2:0]:

The PHY_ADR[2:0] is Device Identification Address (PHY_ADR[2:0]). The PHY_ADR[2:0] register bits are the most-significant bits of the address space which this S/UNI-TETRA occupies. When the PHY_ADR[2:0] inputs match

the TADR[4:2] or RADR[4:2] inputs, then one of the four quadrants (as determined by the TADR[1:0] or RADR[1:0] inputs) in this S/UNI-TETRA is selected for transmit or receive operations. Note that the null-PHY address 0x1F is the null-PHY address and cannot be assigned to any port on the S/UNI-TETRA.

Register 0x03: S/UNI-TETRA Master Clock Monitor

Bit	Type	Function	Default
Bit 7	R	RCLK4A	X
Bit 6	R	RCLK3A	X
Bit 5	R	RCLK2A	X
Bit 4	R	RCLK1A	X
Bit 3	R	TCLKA	X
Bit 2	R	RFCLKA	X
Bit 1	R	TFCLKA	X
Bit 0	R	REFCLKA	X

This register provides activity monitoring on S/UNI-TETRA clocks. When a monitored clock signal makes a low to high transition, the corresponding register bit is set high. The bit will remain high until this register is read, at which point, all the bits in this register are cleared. A lack of transitions is indicated by the corresponding register bit reading low. This register should be read at periodic intervals to detect clock failures.

REFCLKA:

The REFCLK active (REFCLKA) bit monitors for low to high transitions on the REFCLK reference clock input. REFCLKA is set high on a rising edge of REFCLK, and is set low when this register is read.

TFCLKA:

The TFCLK active (TFCLKA) bit monitors for low to high transitions on the TFCLK transmit FIFO clock input. TFCLKA is set high on a rising edge of TFCLK, and is set low when this register is read.

RFCLKA:

The RFCLK active (RFCLKA) bit monitors for low to high transitions on the RFCLK receive FIFO clock input. RFCLKA is set high on a rising edge of RFCLK, and is set low when this register is read.

TCLKA:

The TCLK active (TCLKA) bit monitors for low to high transitions on the TCLK output. TCLKA is set high on a rising edge of TCLK, and is set low when this register is read.

RCLK1A:

The Channel #1 RCLK active (RCLK1A) bit monitors for low to high transitions on the RCLK1 output. RCLK1A is set high on a rising edge of RCLK1, and is set low when this register is read.

RCLK2A:

The Channel #2 RCLK active (RCLK2A) bit monitors for low to high transitions on the RCLK2 output. RCLK2A is set high on a rising edge of RCLK2, and is set low when this register is read.

RCLK3A:

The Channel #3 RCLK active (RCLK3A) bit monitors for low to high transitions on the RCLK3 output. RCLK3A is set high on a rising edge of RCLK3, and is set low when this register is read.

RCLK4A:

The Channel #4 RCLK active (RCLK4A) bit monitors for low to high transitions on the RCLK4 output. RCLK4A is set high on a rising edge of RCLK4, and is set low when this register is read.

Register 0x04: S/UNI-TETRA Master Interrupt Status

Bit	Type	Function	Default
Bit 7		Unused	X
Bit 6		Unused	X
Bit 5		Unused	X
Bit 4	R	CSUI	X
Bit 3	R	CHNL4I	X
Bit 2	R	CHNL3I	X
Bit 1	R	CHNL2I	X
Bit 0	R	CHNL1I	X

When the interrupt output INTB goes low, this register allows the source of an active interrupt to be identified down to the channel level. Further register accesses are required for the channel in question to determine the cause of an active interrupt and to acknowledge the interrupt source.

CHNL1I:

The CHNL1I bit is high when an interrupt request is active from the channel #1. The Channel #1 Interrupt Status register should be read to identify the source of the interrupt.

CHNL2I:

The CHNL2I bit is high when an interrupt request is active from the channel #2. The Channel #2 Interrupt Status register should be read to identify the source of the interrupt.

CHNL3I:

The CHNL3I bit is high when an interrupt request is active from the channel #3. The Channel #3 Interrupt Status register should be read to identify the source of the interrupt.

CHNL4I:

The CHNL4I bit is high when an interrupt request is active from the channel #4. The Channel #4 Interrupt Status register should be read to identify the source of the interrupt.

CSUI:

The CSUI bit is high when an interrupt request is active from the Clock Synthesis and PISO block (CSPI, Clock Synthesis Unit). The CSUI interrupt sources are enabled in the Clock Synthesis Interrupt Control/Status Register.

Register 0x05: S/UNI-TETRA Channel Reset and Monitoring Update

Bit	Type	Function	Default
Bit 7	R/W	CHRESET	0
Bit 6		Unused	X
Bit 5		Unused	X
Bit 4		Unused	X
Bit 3		Unused	X
Bit 2		Unused	X
Bit 1		Unused	X
Bit 0	R	TIP	X

This register provides software reset capability on a per channel basis. It also loads, by writing this register (without setting the CHRESET bit), all the error counters in the RSOP, RLOP, RPOP, SPTB, SSTB, RXCP, TXCP, RXFP and TXFP blocks.

TIP:

The TIP bit is set to a logic one when any value with the CHRESET bit set to logic zero is written to this register. Such a write initiates an accumulation interval transfer and loads all the performance meter registers in the RSOP, RLOP, RPOP, SSTB, SPTB, RXCP, TXCP, RXFP and TXFP blocks for channel #1. TIP remains high while the transfer is in progress, and is set to a logic zero when the transfer is complete. TIP can be polled by a microprocessor to determine when the accumulation interval transfer is complete.

CHRESET:

The CHRESET bit allows the Channel to be reset under software control. If the CHRESET bit is a logic one, the entire channel is held in reset. This bit is not self-clearing. Therefore, a logic zero must be written to bring the channel out of reset. Holding a channel in a reset state places it into a low power, stand-by mode. A hardware reset clears the CHRESET bit, thus negating the software reset. Otherwise, the effect of a software reset is equivalent to that of a hardware reset. Setting the Channel Reset and Monitoring Update register for channel 1 (Register 0x05) blocks access to the global registers 0x00 to 0x04. Setting the Channel Reset for channels 2 through 4 has no effect on global registers.

Register 0x06: S/UNI-TETRA Channel Configuration

Bit	Type	Function	Default
Bit 7	R/W	AUTOPFEBE	1
Bit 6	R/W	AUTOLFEBE	1
Bit 5	R/W	AUTOLRDI	1
Bit 4	R/W	AUTOPRDI	1
Bit 3	R/W	TPTBEN	0
Bit 2	R/W	TSTBEN	0
Bit 1	R/W	Z0INS	0
Bit 0	R/W	Reserved	1

Z0INS:

The Z0INS bit controls the values inserted in the transmit Z0 bytes. When Z0INS is logic 1, the value contained in the TSOP Transmit Z0 register is inserted in the two Z0 bytes. When Z0INS is logic 0, the values 02H and 03H are inserted in Z0 byte of 2nd and 3rd STS-1 (STM-0/AU3) respectively.

TSTBEN:

The TSTBEN bit controls whether the section trace message stored in the SSTB block is inserted into the transmit stream (i.e. the J0 byte). When TSTBEN is a logic one, the message stored in the SSTB is inserted into the transmit stream. When TSTBEN is a logic zero, the section trace message is supplied by the TSOP block which forces it to the NULL character (0x00)

TPTBEN:

The TPTBEN bit controls whether the path trace message stored in the SPTB block is inserted into the transmit stream (i.e. the J1 byte). When TPTBEN is a logic one, the message stored in the SPTB is inserted into the transmit stream. When TPTBEN is a logic zero, the path trace message is supplied by the TPOP block which forces it to a programmable value.

AUTOPRDI

The AUTOPRDI bit determines whether STS path remote defect indication (RDI) is sent immediately upon detection of an incoming alarm. When AUTOPRDI is set to logic one, STS path RDI is inserted immediately upon declaration of several alarms. Each alarm can individually be enabled and disabled using the S/UNI-TETRA Channel Auto Path RDI Control Registers.

AUTOLRDI

The AUTOLRDI bit determines if line remote defect indication (RDI) is sent immediately upon detection of an incoming alarm. When AUTOLRDI is set to logic one, line RDI is inserted immediately upon declaration of several alarms. Each alarm can individually be enabled and disabled using the S/UNI-TETRA Channel Auto Line RDI Control Registers.

AUTOPFEBE

The AUTOPFEBE bit determines if the path far end block errors are sent upon detection of an incoming path BIP error events. When AUTOPFEBE is set to logic one, one path FEBE is inserted for each path BIP error event, respectively. When AUTOPFEBE is set to logic zero, incoming path BIP error events do not generate FEBE events.

AUTOLFEBE

The AUTOLFEBE bit determines if line far end block errors are sent upon detection of an incoming line BIP error events. When AUTOLFEBE is set to logic one, one line FEBE is inserted for each line BIP error event, respectively. When AUTOLFEBE is set to logic zero, incoming line BIP error events do not generate FEBE events.

Register 0x07: S/UNI-TETRA Channel Control

Bit	Type	Function	Default
Bit 7	R/W	TFPI_EN	0
Bit 6	R/W	Reserved	0
Bit 5	R/W	RXDINV	0
Bit 4		Unused	X
Bit 3	R/W	PDLE	0
Bit 2	R/W	LLE	0
Bit 1	R/W	SDLE	0
Bit 0	R/W	LOPT	0

This register controls the timing and high speed loopback features of the S/UNI-TETRA.

LOPT:

The LOOPT bit selects the source of timing for the transmit section of the channel. When LOOPT is a logic zero, the transmitter timing is derived from input REFCLK (Clock Synthesis Unit) is used. When LOOPT is a logic one, the transmitter timing is derived from the recovered clock. (Clock Recovery Unit).

SDLE:

The SDLE bit enables the serial diagnostic loopback. When SDLE is a logic one, the transmit serial stream is connected to the receive stream. The SDLE and the LLE bits should not be set high simultaneously.

LLE:

The LLE bit enables the S/UNI-TETRA line loopback. When LLE is a logic one, the value on RXD+/- differential inputs is synchronously mapped to the TXD+/- differential outputs, after clock recovery. The SDLE and the LLE bits should not be set high simultaneously.

PDLE:

The PDLE bit enables the parallel diagnostic loopback. When PDLE is a logic one, the transmit parallel stream is connected to the receive stream. The loopback point is between the TPOP and the RPOP blocks. Blocks upstream of the loopback point continue to operate normally. For example line AIS may be inserted in the transmit stream upstream of the loopback point using the TSOP Control register.

RXDINV:

The RXDINV bit selects the active polarity of the RXD+/- signals. The default configuration selects RXD+ to be active high and RXD- to be active low. When RXDINV is set to logic one, RXD+ to be active low and RXD- to be active high.

TFPI_EN:

The TFPI_EN bit controls the framing alignment in the transmit direction. When TFPI_EN is set to logic one the transmit SONET/SDH framing is aligned to a master (available to all four channels) framing pulse counter, which can also be aligned to the TFPI device input. When TFPI_EN is set to logic zero the transmit framing alignment is arbitrary. External framing (TFPI_EN set to logic one) shall only be used when the channel is in self-timed mode. TFPI_EN should always be set to logic zero when the channel is loop-timed (LOOP_T set to logic one) or in line loopback (LLE set to logic one).

Register 0x08: S/UNI-TETRA Channel Control Extension

Bit	Type	Function	Default
Bit 7		Unused	X
Bit 6		Unused	X
Bit 5		Unused	X
Bit 4		Unused	X
Bit 3		Unused	X
Bit 2	R/W	Reserved	0
Bit 1	R/W	Reserved	0
Bit 0	R/W	Reserved	0

This register controls the timing and high speed loopback features of the S/UNI-TETRA.

Reserved:

The reserved bits must be programmed to their default value proper operation.

Register 0x0A: S/UNI-TETRA Channel Interrupt Status #1

Bit	Type	Function	Default
Bit 7		Unused	X
Bit 6	R	RASEI	X
Bit 5	R	CRUI	X
Bit 4	R	TXCPI	X
Bit 3	R	RXCPI	X
Bit 2	R	RPOPI	X
Bit 1	R	RLOPI	X
Bit 0	R	RSOPI	X

This register allows the source of an active interrupt to be identified down to the block level within a given channel. Further register accesses are required for the block in question to determine the cause of an active interrupt and to acknowledge the interrupt source.

RSOPI:

The RSOPI bit is high when an interrupt request is active from the RSOP block. The RSOP interrupt sources are enabled in the RSOP Control/Interrupt Enable Register.

RLOPI:

The RLOPI bit is high when an interrupt request is active from the RLOP block. The RLOP interrupt sources are enabled in the RLOP Interrupt Enable/Status Register.

RPOPI:

The RPOPI bit is high when an interrupt request is active from the RPOP block. The RPOP interrupt sources are enabled in the RPOP Interrupt Enable Register.

RXCPI:

The RXCPI bit is high when an interrupt request is active from the RXCP block. The RXCP interrupt sources are enabled in the RXCP Interrupt Enable/Status Register.

TXCPI:

The TXCPI bit is high when an interrupt request is active from the TXCP block. The TXCP interrupt sources are enabled in the TXCP Interrupt Control/Status Register.

CRUI:

The CRUI bit is high when an interrupt request is active from the Clock Recovery and SIPO block (CRSI, Clock Recovery Unit). The CRUI interrupt sources are enabled in the Clock Recovery Interrupt Control/Status Register.

RASEI:

The RASEI bit is high when an interrupt request is active from the RASE block. The RASE interrupt sources are enabled in the RASE Interrupt Enable Register.

Register 0x0B: S/UNI-TETRA Channel Interrupt Status #2

Bit	Type	Function	Default
Bit 7		Unused	X
Bit 6		Unused	X
Bit 5		Unused	X
Bit 4	R	TXFPI	X
Bit 3	R	RXFPI	X
Bit 2	R	WANSI	X
Bit 1	R	SSTBI	X
Bit 0	R	SPTBI	X

This register allows the source of an active interrupt to be identified down to the block level within a given channel. Further register accesses are required for the block in question to determine the cause of an active interrupt and to acknowledge the interrupt source.

SPTBI:

The SPTBI bit is a logic one when an interrupt request is active from the SPTB block. The SPTB interrupt sources are enabled in the SPTB Control Register and the SPTB Path Signal Label Status Register.

SSTBI:

The SSTBI bit is a logic one when an interrupt request is active from the SSTB block. The SSTB interrupt sources are enabled in the SSTB Control Register and the SSTB Synchronization Message Status Register.

WANSI:

The WANSI bit is a logic one when an interrupt request is active from the WANS block. The WANS interrupt sources are enabled in the WANS Interrupt Enable/Status Register.

RXFPI:

The RXFPI bit is high when an interrupt request is active from the RXFP block. The RXFP interrupt sources are enabled in the RXFP Interrupt Enable/Status Register.

TXFPI:

The TXFPI bit is high when an interrupt request is active from the TXFP block. The TXFP interrupt sources are enabled in the TXFP Interrupt Control/Status Register.

Register 0x0C: CSPI (Clock Synthesis) Control and Status

Bit	Type	Function	Default
Bit 7	R/W	Reserved	0
Bit 6	R/W	Reserved	0
Bit 5	R	TROOLI	X
Bit 4		Unused	X
Bit 3	R	TROOLV	X
Bit 2		Unused	X
Bit 1	R/W	TROOLE	0
Bit 0	R/W	Reserved	0

This register controls the clock synthesis and reports the state of the transmit phase locked loop.

TROOLE:

The TROOLE bit is an interrupt enable for the transmit reference out of lock status. When TROOLE is set to logic one, an interrupt is generated when the TROOLV bit changes state.

TROOLV:

The transmit reference out of lock status indicates the clock synthesis phase locked loop is unable to lock to the reference on REFCLK. TROOLV is a logic one if the divided down synthesized clock frequency is not within 488 ppm of the REFCLK frequency.

TROOLI:

The TROOLI bit is the transmit reference out of lock interrupt status bit. TROOLI is set high when the TROOLV bit of the S/UNI-TETRA Clock Synthesis Control and Status register changes state. TROOLV indicates the clock synthesis phase locked loop is unable to lock to the reference on REFCLK and is a logic one if the divided down synthesized clock frequency is not within 488 ppm of the REFCLK frequency. TROOLI is cleared when this register is read.

Reserved:

The reserved bits must be programmed to logic zero for proper operation.

Register 0x0D: CSPI (Clock Synthesis) Reserved

Bit	Type	Function	Default
Bit 7		Unused	X
Bit 6		Unused	X
Bit 5		Unused	X
Bit 4		Unused	X
Bit 3	R/W	Reserved	0
Bit 2	R/W	Reserved	0
Bit 1	R/W	Reserved	0
Bit 0	R/W	Reserved	0

Reserved:

The reserved bits must be programmed to logic zero for proper operation.

Register 0x0E: CRSI (Clock Recovery) Control and Status

Bit	Type	Function	Default
Bit 7	R/W	Reserved	0
Bit 6	R	RROOLI	X
Bit 5	R	RDOOLI	X
Bit 4	R	RROOLV	X
Bit 3	R	RDOOLV	X
Bit 2	R/W	RROOLE	0
Bit 1	R/W	RDOOLE	0
Bit 0	R/W	Reserved	0

This register controls the clock recovery and reports the state of the receive phase locked loop.

RDOOLE:

The RDOOLE bit is an interrupt enable for the receive data out of lock status. When RDOOLE is set to logic one, an interrupt is generated when the RDOOLV bit changes state.

RROOLE:

The RROOLE bit is an interrupt enable for the reference out of lock status. When RROOLE is set to logic one, an interrupt is generated when the RROOLV bit changes state.

RDOOLV:

The receive data out of lock status indicates the clock recovery phase locked loop is unable to lock to the incoming data stream. RDOOLV is a logic one if the divided down recovered clock frequency is not within 488 ppm of the REFCLK frequency or if no transitions have occurred on the RXD+/- inputs for more than 80 bit periods.

RROOLV:

The receive reference out of lock status indicates the clock recovery phase locked loop is unable to lock to the receive reference (REFCLK). RROOLV should be polled after a power up reset to determine when the CRU PLL is operational. When RROOLV is a logic one, the CRU is unable to lock to the receive reference. When RROOLV is a logic zero, the CRU is locked to the receive reference. The RROOLV bit may remain set at logic one for several hundred milliseconds after the removal of the power on reset as the CRU PLL locks to the receive reference clock.

RDOOLI:

The RDOOLI bit is the receive data out of lock interrupt status bit. RDOOLI is set high when the RDOOLV bit of the S/UNI-TETRA Clock Recovery Control and Status register changes state. RDOOLI is cleared when this register is read.

RROOLI:

The RROOLI bit is the receive reference out of lock interrupt status bit. RROOLI is set high when the RROOLV bit of the Clock Synthesis Control and Status register changes state. RROOLI is cleared when this register is read.

LANB_WAN:

~~When LANB_WAN set high, WAN mode is selected and the device is able to meet the jitter transfer requirement. When LANB_WAN set low, LAN mode is selected and the jitter tolerance and noise tolerance will be improved.~~

Reserved:

The reserved bits must be programmed to logic zero for proper operation.

Register 0x0F: CRSI (Clock Recovery) PLL Mode Select -Reserved

Bit	Type	Function	Default
Bit 7	R/W	Reserved	0
Bit 6	R/W	Reserved	0
Bit 5	R/W	PERFCTRL Reserved	0
Bit 4	R/W	Reserved	0
Bit 3	R/W	Reserved	0
Bit 2	R/W	Reserved	0
Bit 1	R/W	Reserved	0
Bit 0	R/W	Reserved	0

PERFCTRL:

The Phase Lock Loop Performance Control (PERFCTRL) register bit allows controlling the frequency response of the clock recovery unit. When PERFCTRL is set to logic 0, the CRU performance is optimized for jitter transfer at the expense of jitter tolerance. When PERFCTRL is set to logic 1, the CRU performance is optimized for jitter tolerance at the expense of jitter transfer. This bit should not be set to a logic 1, when there are external capacitors attached to the CN1,2,3,4 and CP1,2,3,4 pins.

Reserved:

The reserved bits must be programmed to logic zero for proper operation.

Register 0x10: RSOP Control/Interrupt Enable

Bit	Type	Function	Default
Bit 7	R/W	BIPWORD	0
Bit 6	R/W	DDS	0
Bit 5	W	FOOF	X
Bit 4	R/W	ALGO2	0
Bit 3	R/W	BIPEE	0
Bit 2	R/W	LOSE	0
Bit 1	R/W	LOFE	0
Bit 0	R/W	OOFE	0

OOFE:

The OOFE bit is an interrupt enable for the out of frame alarm. When OOFE is set to logic one, an interrupt is generated when the out of frame alarm changes state.

LOFE:

The LOFE bit is an interrupt enable for the loss of frame alarm. When LOFE is set to logic one, an interrupt is generated when the loss of frame alarm changes state.

LOSE:

The LOSE bit is an interrupt enable for the loss of signal alarm. When LOSE is set to logic one, an interrupt is generated when the loss of signal alarm changes state.

BIPEE:

The BIPEE bit is an interrupt enable for the section BIP-8 errors. When BIPEE is set to logic one, an interrupt is generated when a section BIP-8 error (B1) is detected.

ALGO2:

The ALGO2 bit position selects the framing algorithm used to confirm and maintain the frame alignment. When a logic one is written to the ALGO2 bit position, the framer is enabled to use the second of the framing algorithms where only the first A1 framing byte and the first 4 bits of the last A2 framing byte (12 bits total) are examined. This algorithm examines only 12 bits of the framing pattern regardless of the STS mode; all other framing bits are ignored. When a logic zero is written to the ALGO2 bit position, the framer is

enabled to use the first of the framing algorithms where all the A1 framing bytes and all the A2 framing bytes are examined. This algorithm examines all 48 bits of the STS-3c (STM-1/AU3/AU4) framing pattern.

FOOF:

The FOOF bit controls the framing of the RSOP. When a logic one is written to FOOF, the RSOP is forced out of frame at the next frame boundary. The FOOF bit is a write only bit, register reads may yield a logic one or a logic zero.

DDS:

The DDS bit is set to logic one to disable the de-scrambling of the STS-3c (STM-1) stream. When DDS is a logic zero, de-scrambling is enabled.

BIPWORD:

The BIPWORD bit position enables the accumulating of section block BIP errors. When a logic one is written to the BIPWORD bit position, one or more errors in the BIP-8 byte result in a single error accumulated in the B1 error counter. When a logic zero is written to the BIPWORD bit position, all errors in the B1 byte are accumulated in the B1 error counter.

Reserved:

The reserved bits must be programmed to logic zero for proper operation.

Register 0x11: RSOP Status/Interrupt Status

Bit	Type	Function	Default
Bit 7		Unused	X
Bit 6	R	BIPEI	X
Bit 5	R	LOSI	X
Bit 4	R	LOFI	X
Bit 3	R	OOFI	X
Bit 2	R	LOSV	X
Bit 1	R	LOFV	X
Bit 0	R	OOFV	X

OOFV:

The OOFV bit is read to determine the out-of-frame state of the RSOP. When OOFV is high, the RSOP is out of frame. When OOFV is low, the RSOP is in-frame.

LOFV:

The LOFV bit is read to determine the loss of frame state of the RSOP. When LOFV is high, the RSOP has declared loss of frame.

LOSV:

The LOSV bit is read to determine the loss of signal state of the RSOP. When LOSV is high, the RSOP has declared loss of signal.

OOFI:

The OOFI bit is the out of frame interrupt status bit. OOFI is set high when a change in the out-of-frame state occurs. This bit is cleared when this register is read.

LOFI:

The LOFI bit is the loss of frame interrupt status bit. LOFI is set high when a change in the loss-of-frame state occurs. This bit is cleared when this register is read.

LOSI:

The LOSI bit is the loss of signal interrupt status bit. LOSI is set high when a change in the loss-of-signal state occurs. This bit is cleared when this register is read.

BIPEI:

The BIPEI bit is the section BIP-8 interrupt status bit. BIPEI is set high when a section layer (B1) bit error is detected. This bit is cleared when this register is read.

Register 0x12: RSOP Section BIP-8 LSB

Bit	Type	Function	Default
Bit 7	R	SBE[7]	X
Bit 6	R	SBE[6]	X
Bit 5	R	SBE[5]	X
Bit 4	R	SBE[4]	X
Bit 3	R	SBE[3]	X
Bit 2	R	SBE[2]	X
Bit 1	R	SBE[1]	X
Bit 0	R	SBE[0]	X

Register 0x13: RSOP Section BIP-8 MSB

Bit	Type	Function	Default
Bit 7	R	SBE[15]	X
Bit 6	R	SBE[14]	X
Bit 5	R	SBE[13]	X
Bit 4	R	SBE[12]	X
Bit 3	R	SBE[11]	X
Bit 2	R	SBE[10]	X
Bit 1	R	SBE[9]	X
Bit 0	R	SBE[8]	X

SBE[15:0]:

Bits SBE[15:0] represent the number of section BIP-8 errors (individual or block) that have been detected since the last time the error count was polled. The error count is polled by writing to either of the RSOP Section BIP-8 Register addresses. Such a write transfers the internally accumulated error count to the Section BIP-8 registers within approximately 7 μ s and simultaneously resets the internal counter to begin a new cycle of error accumulation. This transfer and reset is carried out in a manner that ensures that coincident events are not lost.

The count can also be polled by writing to the Master Reset and Identity / Load Performance Meters register (0x05). Writing to register 0x05 simultaneously loads all the performance meter registers in the RSOP, RLOP, RPOP, SPTB, SSTB, RXCP, TXCP, RXFP, and TXFP blocks.

Register 0x14: TSOP Control

Bit	Type	Function	Default
Bit 7		Unused	X
Bit 6	R/W	DS	0
Bit 5	R/W	Reserved	0
Bit 4	R/W	Reserved	0
Bit 3	R/W	Reserved	0
Bit 2	R/W	Reserved	0
Bit 1	R/W	Reserved	0
Bit 0	R/W	LAIS	0

LAIS:

The LAIS bit controls the insertion of line alarm indication signal (AIS). When LAIS is set to logic one, the TSOP inserts AIS into the transmit SONET/SDH stream. Activation or deactivation of line AIS insertion is synchronized to frame boundaries. Line AIS insertion results in all bits of the SONET/SDH frame being set to one prior to scrambling except for the section overhead.

DS:

The DS bit is set to logic one to disable the scrambling of the STS-3c (STM-1) stream. When DS is a logic zero, scrambling is enabled.

Reserved:

The reserved bits must be programmed to logic zero for proper operation.

Register 0x15: TSOP Diagnostic

Bit	Type	Function	Default
Bit 7		Unused	X
Bit 6		Unused	X
Bit 5		Unused	X
Bit 4		Unused	X
Bit 3		Unused	X
Bit 2	R/W	DLOS	0
Bit 1	R/W	DBIP8	0
Bit 0	R/W	DFP	0

DFP:

The DFP bit controls the insertion of a single bit error continuously in the most significant bit (bit 1) of the A1 section overhead framing byte. When DFP is set to logic one, the A1 bytes are set to 0x76 instead of 0xF6.

DBIP8:

The DBIP8 bit controls the insertion of bit errors continuously in the section BIP-8 byte (B1). When DBIP8 is set to logic one, the B1 byte is inverted.

DLOS:

The DLOS bit controls the insertion of all zeros in the transmit stream. When DLOS is set to logic one, the transmit stream is forced to 0x00.

Register 0x18: RLOP Control/Status

Bit	Type	Function	Default
Bit 7	R/W	BIPWORD	0
Bit 6	R/W	ALLONES	0
Bit 5	R/W	AISDET	0
Bit 4	R/W	LRDIDET	0
Bit 3	R/W	BIPWORDO	0
Bit 2	R/W	FEBEWORD	0
Bit 1	R	LAISV	X
Bit 0	R	LRDIV	X

LRDIV:

The LRDIV bit is read to determine the remote defect indication state of the RLOP. When LRDIV is high, the RLOP has declared line RDI.

LAISV:

The LAISV bit is read to determine the line AIS state of the RLOP. When LAISV is high, the RLOP has declared line AIS.

FEBEWORD:

The FEBEWORD bit controls the accumulation of FEBEs. When FEBEWORD is logic one, the FEBE event counter is incremented only once per frame, whenever one or more FEBE bits occur during that frame. When FEBEWORD is logic zero, the FEBE event counter is incremented for each and every FEBE bit that occurs during that frame (the counter can be incremented up to 24).

BIPWORDO:

The BIPWORDO bit controls the indication of B2 errors reported to the TLOP block for insertion as FEBEs. When BIPWORDO is logic one, the BIP errors are indicated once per frame whenever one or more B2 bit errors occur during that frame. When BIPWORDO is logic zero, BIP errors are indicated once for every B2 bit error that occurs during that frame. The accumulation of B2 error events functions independently and is controlled by the BIPWORD register bit..

LRDIDET:

The LRDIDET bit determines the Line LRDI detection algorithm. When LRDIDET is set to logic one, Line LRDI is declared when a 110 binary pattern is detected in bits 6,7 and 8 of the K2 byte for three consecutive frames. When LRDIDET is set to logic zero, Line LRDI is declared when a 110 binary pattern is detected in bits 6,7 and 8 of the K2 byte for five consecutive frames.

AISDET:

The AISDET bit determines the Line AIS detection algorithm. When AISDET is set to logic one, Line AIS is declared when a 111 binary pattern is detected in bits 6,7 and 8 of the K2 byte for three consecutive frames. When AISDET is set to logic zero, Line AIS is declared when a 111 binary pattern is detected in bits 6,7 and 8 of the K2 byte for five consecutive frames.

ALLONES:

The ALLONES bit controls automatically forcing the SONET frame passed to downstream blocks to logical all-ones whenever LAIS is detected. When ALLONES is set to logic one, the SONET frame is forced to logic one immediately when the LAIS alarm is declared. When LAIS is removed, the received byte is immediately returned to carrying data. When ALLONES is set to logic zero, the received byte carries the data regardless of the state of LAIS.

BIPWORD:

The BIPWORD bit controls the accumulation of B2 errors. When BIPWORD is logic one, the B2 error event counter is incremented only once per frame whenever one or more B2 bit errors occur during that frame. When BIPWORD is logic zero, the B2 error event counter is incremented for each B2 bit error that occurs during that frame (the counter can be incremented up to 24 times per frame).

Reserved:

The reserved bits must be programmed to logic zero for proper operation.

Register 0x19: RLOP Interrupt Enable/Interrupt Status

Bit	Type	Function	Default
Bit 7	R/W	FEBEE	0
Bit 6	R/W	BIPEE	0
Bit 5	R/W	LAISE	0
Bit 4	R/W	LRDIE	0
Bit 3	R	FEBEI	X
Bit 2	R	BIPEI	X
Bit 1	R	LAISI	X
Bit 0	R	LRDII	X

LRDII:

The LRDII bit is the line far end receive failure interrupt status bit. LRDII is set high when a change in the line RDI state occurs. This bit is cleared when this register is read.

LAISI:

The LAISI bit is the line AIS interrupt status bit. LAISI is set high when a change in the line AIS state occurs. This bit is cleared when this register is read.

BIPEI:

The BIPEI bit is the line BIP interrupt status bit. BIPEI is set high when a line layer (B2) bit error is detected. This bit is cleared when this register is read.

FEBEI:

The FEBEI bit is the line far end block error interrupt status bit. FEBEI is set high when a line layer FEBE (M1) is detected. This bit is cleared when this register is read.

LRDIE:

The LRDIE bit is an interrupt enable for the line remote defect indication alarm. When LRDIE is set to logic one, an interrupt is generated when line RDI changes state.

LAISE:

The LAISE bit is an interrupt enable for line AIS. When LAISE is set to logic one, an interrupt is generated when line AIS changes state.

BIPEE:

The BIPEE bit is an interrupt enable for the line BIP-24 errors. When BIPEE is set to logic one, an interrupt is generated when a line BIP-24 error (B2) is detected.

FEBEE:

The FEBEE bit is an interrupt enable for the line far end block errors. When FEBEE is set to logic one, an interrupt is generated when FEBE (M1) is detected.

Register 0x1A: RLOP Line BIP-24 LSB

Bit	Type	Function	Default
Bit 7	R	LBE[7]	X
Bit 6	R	LBE[6]	X
Bit 5	R	LBE[5]	X
Bit 4	R	LBE[4]	X
Bit 3	R	LBE[3]	X
Bit 2	R	LBE[2]	X
Bit 1	R	LBE[1]	X
Bit 0	R	LBE[0]	X

Register 0x1B: RLOP Line BIP-24

Bit	Type	Function	Default
Bit 7	R	LBE[15]	X
Bit 6	R	LBE[14]	X
Bit 5	R	LBE[13]	X
Bit 4	R	LBE[12]	X
Bit 3	R	LBE[11]	X
Bit 2	R	LBE[10]	X
Bit 1	R	LBE[9]	X
Bit 0	R	LBE[8]	X

Register 0x1C: RLOP Line BIP-24 MSB

Bit	Type	Function	Default
Bit 7		Unused	X
Bit 6		Unused	X
Bit 5		Unused	X
Bit 4		Unused	X
Bit 3	R	LBE[19]	X
Bit 2	R	LBE[18]	X
Bit 1	R	LBE[17]	X
Bit 0	R	LBE[16]	X

LBE[19:0]

Bits LBE[19:0] represent the number of line BIP-24 errors (individual or block) that have been detected since the last time the error count was polled. The error count is polled by writing to any of the RLOP Line BIP Registers or Line FEBE Register addresses. Such a write transfers the internally accumulated error count to the Line BIP Registers within approximately 7 μ s and simultaneously resets the internal counter to begin a new cycle of error accumulation.

The count can also be polled by writing to the Master Reset and Identity / Load Performance Meters register (0x05). Writing to register 0x05 simultaneously loads all the performance meter registers in the RSOP, RLOP, RPOP, SPTB, SSTB, RXCP, TXCP, RXFP, and TXFP blocks.

Register 0x1D: RLOP Line FEBE LSB

Bit	Type	Function	Default
Bit 7	R	LFE[7]	X
Bit 6	R	LFE[6]	X
Bit 5	R	LFE[5]	X
Bit 4	R	LFE[4]	X
Bit 3	R	LFE[3]	X
Bit 2	R	LFE[2]	X
Bit 1	R	LFE[1]	X
Bit 0	R	LFE[0]	X

Register 0x1E: RLOP Line FEBE

Bit	Type	Function	Default
Bit 7	R	LFE[15]	X
Bit 6	R	LFE[14]	X
Bit 5	R	LFE[13]	X
Bit 4	R	LFE[12]	X
Bit 3	R	LFE[11]	X
Bit 2	R	LFE[10]	X
Bit 1	R	LFE[9]	X
Bit 0	R	LFE[8]	X

Register 0x1F: RLOP Line FEBE MSB

Bit	Type	Function	Default
Bit 7		Unused	X
Bit 6		Unused	X
Bit 5		Unused	X
Bit 4		Unused	X
Bit 3	R	LFE[19]	X
Bit 2	R	LFE[18]	X
Bit 1	R	LFE[17]	X
Bit 0	R	LFE[16]	X

LFE[19:0]

Bits LFE[19:0] represent the number of line FEBE errors (individual or block) that have been detected since the last time the error count was polled. The error count is polled by writing to any of the RLOP Line BIP Registers or Line FEBE Register addresses. Such a write transfers the internally accumulated error count to the Line FEBE Registers within approximately 7 μ s and simultaneously resets the internal counter to begin a new cycle of error accumulation.

The count can also be polled by writing to the S/UNI-TETRA Channel Reset and Monitoring Update register (0x05). Writing to register 0x00 simultaneously loads all the performance meter registers in the RSOP, RLOP, RPOP, SPTB, SSTB, RXCP, TXCP, RXFP, and TXFP blocks.

Register 0x20: TLOP Control

Bit	Type	Function	Default
Bit 7	R/W	Reserved	0
Bit 6	R/W	Reserved	0
Bit 5	R/W	APSREG	0
Bit 4	R/W	Reserved	0
Bit 3	R/W	Reserved	0
Bit 2	R/W	Reserved	0
Bit 1	R/W	Reserved	0
Bit 0	R/W	LRDI	0

LRDI:

The LRDI bit controls the insertion of line far end receive failure (LRDI). When LRDI is set to logic one, the TLOP inserts line RDI into the transmit SONET/SDH stream. Line RDI is inserted by transmitting the code 110 in bit positions 6, 7 and 8 of the K2 byte of the transmit stream.

APSREG:

The APSREG bit selects the source for the transmit APS channel. When APSREG is a logic zero, 0x0000 hexadecimal is inserted in the transmit APS channel. When APSREG is a logic one, the transmit APS channel is inserted from the TLOP Transmit K1 Register and the TLOP Transmit K2 Register.

Reserved:

The reserved bits must be programmed to logic zero for proper operation.

Register 0x21: TLOP Diagnostic

Bit	Type	Function	Default
Bit 7		Unused	X
Bit 6		Unused	X
Bit 5		Unused	X
Bit 4		Unused	X
Bit 3		Unused	X
Bit 2		Unused	X
Bit 1		Unused	X
Bit 0	R/W	DBIP	0

DBIP:

The DBIP bit controls the insertion of bit errors continuously in the line BIP byte(s) (B2). When DBIP is set to logic one, the B2 byte(s) are inverted.

Register 0x22: TLOP Transmit K1

Bit	Type	Function	Default
Bit 7	R/W	K1[7]	0
Bit 6	R/W	K1[6]	0
Bit 5	R/W	K1[5]	0
Bit 4	R/W	K1[4]	0
Bit 3	R/W	K1[3]	0
Bit 2	R/W	K1[2]	0
Bit 1	R/W	K1[1]	0
Bit 0	R/W	K1[0]	0

K1[7:0]:

The K1[7:0] bits contain the value inserted in the K1 byte when the APSREG bit in the TLOP Control Register is a logic one. K1[7] is the most significant bit, corresponding to the first bit (bit 1) transmitted. K1[0] is the least significant bit, corresponding to the last bit (bit 8) transmitted. The bits in this register are double buffered so that register writes do not need to be synchronized to SONET/SDH frame boundaries. The insertion of a new APS code value is initiated by a write to this register. The contents of this register, and the TLOP Transmit K2 Register are inserted in the transmit stream starting at the next frame boundary. Successive writes to this register must be spaced at least two frames (250 μ s) apart.

Register 0x23: TLOP Transmit K2

Bit	Type	Function	Default
Bit 7	R/W	K2[7]	0
Bit 6	R/W	K2[6]	0
Bit 5	R/W	K2[5]	0
Bit 4	R/W	K2[4]	0
Bit 3	R/W	K2[3]	0
Bit 2	R/W	K2[2]	0
Bit 1	R/W	K2[1]	0
Bit 0	R/W	K2[0]	0

K2[7:0]:

The K2[7:0] bits contain the value inserted in the K2 byte when the APSREG bit in the TLOP Control Register is a logic one. K2[7] is the most significant bit, corresponding to the first bit (bit 1) transmitted. K2[0] is the least significant bit, corresponding to the last bit (bit 8) transmitted. The bits in this register are double buffered so that register writes do not need to be synchronized to SONET/SDH frame boundaries. The insertion of a new APS code value is initiated by a write to the TLOP Transmit K1 Register. A coherent APS code value is ensured by writing the desired K2 APS code value to this register before writing the TLOP Transmit K1 Register.

Register 0x24: S/UNI-TETRA Channel Transmit Sync. Message (S1)

Bit	Type	Function	Default
Bit 7	R/W	Reserved	0
Bit 6	R/W	Reserved	0
Bit 5	R/W	Reserved	0
Bit 4	R/W	Reserved	0
Bit 3	R/W	TS1[3]	0
Bit 2	R/W	TS1[2]	0
Bit 1	R/W	TS1[1]	0
Bit 0	R/W	TS1[0]	0

TS1[3:0]:

The value written to these bit positions is inserted in the first S1 byte position of the transmit stream. The S1 byte is used to carry synchronization status messages between line terminating network elements. TS1[3] is the most significant bit, corresponding to the first bit transmitted. TS1[0] is the least significant bit, corresponding to the last bit transmitted.

Reserved

The reserved bits must be programmed to logic zero for proper operation.

Register 0x25: S/UNI-TETRA Channel Transmit J0/Z0

Bit	Type	Function	Default
Bit 7	R/W	Z0[7]	1
Bit 6	R/W	Z0[6]	1
Bit 5	R/W	Z0[5]	0
Bit 4	R/W	Z0[4]	0
Bit 3	R/W	Z0[3]	1
Bit 2	R/W	Z0[2]	1
Bit 1	R/W	Z0[1]	0
Bit 0	R/W	Z0[0]	0

Z0[7:0]:

Z0[7:0] contains the value inserted in Z0 bytes for STS-1 (STM-0/AU3) #2 and #3 in the transmit STS-3 (STM-1/AU3) stream when the Z0INS bit is set to logic 1. Z0[7] is the most significant bit corresponding to bit 1, the first bit transmitted. Z0[0] is the least significant bit, corresponding to bit 8, the last bit transmitted..

Register 0x28: SSTB Control

Bit	Type	Function	Default
Bit 7	R/W	ZEROEN	0
Bit 6	R/W	RRAMACC	0
Bit 5	R/W	RTIUIE	0
Bit 4	R/W	RTIMIE	0
Bit 3	R/W	PER5	0
Bit 2	R/W	TNULL	1
Bit 1	R/W	NOSYNC	0
Bit 0	R/W	LEN16	0

This register controls the receive and transmit portions of the SSTB.

LEN16:

The section trace message length bit (LEN16) selects the length of the section trace message to be 16 bytes or 64 bytes. When LEN16 is a logic one, a 16 byte section trace message is selected. When LEN16 is a logic zero, a 64 byte section trace message is selected.

NOSYNC:

The section trace message synchronization bit (NOSYNC) disables the writing of the section trace message into the trace buffer to be synchronized to the content of the message. When LEN16 is a logic one and NOSYNC is a logic zero, the receive section trace message byte with its most significant bit set will be written to the first location in the buffer. When LEN16 and NOSYNC are logic zero, the byte after the carriage return/linefeed (CR/LF) sequence will be written to the first location in the buffer. When NOSYNC is a logic one, synchronization is disabled, and the section trace message buffer behaves as a circular buffer.

TNULL:

The transmit null bit (TNULL) controls the insertion of an all-zero section trace identifier message in the transmit stream. When TNULL is a logic one, the contents of the transmit buffer is ignored and all-zeros bytes are inserted. When TNULL is a logic zero, the contents of the transmit section trace buffer is sent to TSOP for insertion into the J0 transmit section overhead byte. TNULL should be set high before changing the contents of the trace buffer to avoid sending partial messages.

PER5:

The receive trace identifier persistence bit (PER5) controls the number of times a section trace identifier message must be received unchanged before being accepted. When PER5 is a logic one, a message is accepted when it is received unchanged five times consecutively. When PER5 is a logic zero, the message is accepted after three identical repetitions.

RTIMIE:

The receive trace identifier mis-match bit (RTIMIE) controls the activation of the interrupt output when the comparison between accepted identifier message and the expected message changes state. When RTIMIE is a logic one, changes in match state activates the interrupt (INTB) output.

RTIUIE:

The receive trace identifier unstable bit (RTIUIE) controls the activation of the interrupt output when the receive identifier message changes state. When RTIUIE is a logic one, changes in the received section trace identifier message stable/unstable state will activate the interrupt (INTB) output.

RRAMACC:

The receive RAM access control bit (RRAMACC) directs read and writes access between the receive and transmit section trace buffer. When RRAMACC is a logic one, microprocessor accesses are directed to the receive section trace buffer. When RRAMACC is a logic zero, microprocessor accesses are directed to the transmit section trace buffer.

ZEROEN:

The zero enable bit (ZEROEN) enables TIM assertion and removal based on an all ZERO's section trace message string. When ZEROEN is set high, all ZERO's section trace message strings are considered when entering and exiting TIM states. When ZEROEN is set low, all ZERO's section trace message strings are ignored.

Reserved:

The reserved bits must be programmed to logic zero for proper operation.

Register 0x29: SSTB Section Trace Identifier Status

Bit	Type	Function	Default
Bit 7	R	BUSY	0
Bit 6		Unused	X
Bit 5		Unused	X
Bit 4		Unused	X
Bit 3	R	RTIUI	X
Bit 2	R	RTIUV	X
Bit 1	R	RTIMI	X
Bit 0	R	RTIMV	X

This register reports the section trace identifier status of the SSTB.

RTIMV:

The RTIMV bit reports the match/mismatch status of the identifier message framer. RTIMV is a logic one when the accepted identifier message differs from the expected message written by the microprocessor. RTIMV is a logic zero when the accepted message matches the expected message.

RTIMI:

The RTIMI bit is a logic one when match/mismatch status of the trace identifier framer changes state. This bit is cleared when this register is read.

RTIUV:

The RTIUV bit reports the stable/unstable status of the identifier message framer. RTIUV is a logic one when the current received section trace identifier message has not matched the previous message for eight consecutive messages. RTIUV is a logic zero when the current message becomes the accepted message as determined by the PER5 bit in the SSTB Control register.

RTIUI:

The RTIUI bit is a logic one when stable/unstable status of the trace identifier framer changes state. This bit is cleared when this register is read.

BUSY:

The BUSY bit reports whether a previously initiated indirect read or write to a message buffer is completed. BUSY is set to a logic one immediately upon writing to the SSTB Indirect Address register, and stays high until the initiated

access is completed (about 0.6 μ s). This register should be polled to determine when new data is available in the SSTB Indirect Data register.

Register 0x2A: SSTB Indirect Address Register

Bit	Type	Function	Default
Bit 7	R/W	RWB	0
Bit 6	R/W	A[6]	0
Bit 5	R/W	A[5]	0
Bit 4	R/W	A[4]	0
Bit 3	R/W	A[3]	0
Bit 2	R/W	A[2]	0
Bit 1	R/W	A[1]	0
Bit 0	R/W	A[0]	0

This register supplies the address used to index into section trace identifier buffers.

A[6:0]:

The indirect read address bits (A[6:0]) are used to address the section trace identifier buffers. When RRAMACC is set high, addresses 0 to 63 reference the captured message page while addresses 64 to 127 reference the expected message page of the receive section trace buffer. The captured message page contains the identifier bytes extracted from the receive stream. The expected message page contains the section trace message to which the captured message page is compared. When RRAMACC is set low, addresses 0 to 63 reference the transmit section trace buffer which contains the section trace message inserted in the transmit stream. When RRAMACC is set low, addresses 64 to 127 are unused and must not be accessed.

RWB:

The access control bit (RWB) selects between an indirect read or write access to the selected section trace buffer (receive or transmit as determined by the RRAMACC bit). Writing to this register initiates an access to the selected section trace buffer. When RWB is a logic one, a read access is initiated. The addressed location's contents are placed in the SSTB Indirect Data register. When RWB is a logic zero, a write access is initiated. The data in the SSTB Indirect Data register is written to the addressed location in the selected buffer.

Register 0x2B: SSTB Indirect Data Register

Bit	Type	Function	Default
Bit 7	R/W	D[7]	0
Bit 6	R/W	D[6]	0
Bit 5	R/W	D[5]	0
Bit 4	R/W	D[4]	0
Bit 3	R/W	D[3]	0
Bit 2	R/W	D[2]	0
Bit 1	R/W	D[1]	0
Bit 0	R/W	D[0]	0

This register contains the data read from the section trace message buffer after a read operation or the data to be written into the buffer before a write operation.

D[7:0]:

The indirect data bits (D[7:0]) contains the data read from either the transmit or receive section trace buffer after an indirect read operation is completed. The data that is written to a buffer is set up in this register before initiating the indirect write operation.

Register 0x30 (EXTD=0): RPOP Status/Control

Bit	Type	Function	Default
Bit 7	R/W	Reserved	0
Bit 6	R	LOPCONV	X
Bit 5	R	LOPV	X
Bit 4	R	PAISONV	X
Bit 3	R	PAISV	X
Bit 2	R	PRDIV	X
Bit 1	R	NEWPTRI	X
Bit 0	R/W	NEWPTRE	0

NOTE: To facilitate additional register mapping, shadow registers have been added to registers 0x30, 0x31 and 0x33. These shadow registers are accessed in the same way as the normal registers.

The EXTD (extend register) bit must be set in register 0x36 to allow switching between accessing the normal registers and the shadow registers.

This register allows the status of path level alarms to be monitored.

NEWPTRE:

The NEWPTRE bit is the interrupt enable for the receive new pointer status. When NEWPTRE is a logic one, an interrupt is generated when the pointer interpreter validates a new pointer.

NEWPTRI:

The NEWPTRI bit is the receive new pointer interrupt status bit. NEWPTRI is a logic one when the pointer interpreter has validated a new pointer value (H1, H2). NEWPTRI is cleared when this register is read.

PRDIV:

The PRDIV bit is read to determine the remote defect indication state. When PRDIV is a logic one, the S/UNI-TETRA has declared path RDI.

PAISV:

The PAISV bit is read to determine the path AIS state. When PAISV is a logic one, the S/UNI-TETRA has declared path AIS.

PAISCONV:

The PAISCONV bit is read to determine the concatenation path AIS state. When PAISCONV is a logic one, the S/UNI-TETRA has declared a concatenation path AIS.

PLOPV:

The PLOPV bit is read to determine the loss of pointer state. When PLOPV is a logic one, the S/UNI-TETRA has declared LOP.

LOPCONV:

The LOPCONV bit is read to determine the loss of pointer concatenation state. When LOPCONV is a logic one, the S/UNI-TETRA has declared loss of pointer concatenation.

Reserved:

The reserved bits must be programmed to logic zero for proper operation.

Register 0x30 (EXTD=1): RPOP Status/Control

Bit	Type	Function	Default
Bit 7	R/W	Reserved	0
Bit 6	R/W	IINVCNT	0
Bit 5	R/W	PSL5	0
Bit 4	R/W	Reserved	0
Bit 3		Unused	X
Bit 2	R	ERDIV[2]	X
Bit 1	R	ERDIV[1]	X
Bit 0	R	ERDIV[0]	X

NOTE: To facilitate additional register mapping, shadow registers have been added to registers 0x30, 0x31 and 0x33. These shadow registers are accessed in the same way as the normal registers.

The EXTD (extend register) bit must be set in register 0x36 to allow switching between accessing the normal registers and the shadow registers.

The Status Register is provided at RPOP read address 0, if the extend register (EXTD) bit is set in register 0x36.

ERDIV[2:0]:

The ERDIV[2:0] bits reflect the current state of the detected enhanced RDI, (filtered G1 bits 5, 6, and 7).

IINVCNT:

When a logic one is written to the IINVCNT (Intuitive Invalid Pointer Counter) bit, if in the LOP state 3 x new point resets the inv_point count. If this bit is set to 0 the inv_point count will not be reset if in the LOP state and 3 x new pointers are detected.

PSL5:

The PSL5 bit controls the filtering of the path signal label byte (C2). When PSL5 is set high, the PSL is updated when the same value is received for 5 consecutive frames. When the PSL5 is set low, the PSL is updated when the same value is received for 3 consecutive frames.

Register 0x31 (EXTD=0): RPOP Interrupt Status

Bit	Type	Function	Default
Bit 7	R	PSLI	X
Bit 6		Unused	X
Bit 5	R	LOPI	X
Bit 4		Unused	X
Bit 3	R	PAISI	X
Bit 2	R	PRDII	X
Bit 1	R	BIPEI	X
Bit 0	R	FEBEI	X

NOTE: To facilitate additional register mapping, shadow registers have been added to registers 0x30, 0x31 and 0x33. These shadow registers are accessed in the same way as the normal registers.

The EXTD (extend register) bit must be set in register 0x36 to allow switching between accessing the normal registers and the shadow registers.

This register allows identification and acknowledgment of path level alarm and error event interrupts.

FEBEI:

The FEBEI bit is the path FEBE interrupt status bit. FEBEI is a logic one when a FEBE error is detected. This bit is cleared when this register is read.

BIPEI:

The BIPEI bit is the path BIP-8 interrupt status bit. BIPEI is a logic one when a B3 error is detected. This bit is cleared when this register is read.

PRDII:

The PRDII bit is the path remote defect indication interrupt status bit. PRDII is a logic one when a change in the path RDI state or the auxiliary path RDI state occurs. This bit is cleared when this register is read.

PAISI:

The PAISI bit is the path alarm indication signal interrupt status bit. PAISI is a logic one when a change in the path AIS state occurs. This bit is cleared when this register is read.

LOPI:

The LOPI bit is the loss of pointer interrupt status bit. LOPI is a logic one when a change in the LOP state occurs. This bit is cleared when this register is read.

PSLI:

The PSLI bit is the change of path signal label interrupt status bit. PSLI is a logic one when a change is detected in the path signal label register. The current path signal label can be read from the RPOP Path Signal Label register. This bit is cleared when this register is read.

Register 0x31 (EXTD=1): RPOP Interrupt Status

Bit	Type	Function	Default
Bit 7		Unused	X
Bit 6		Unused	X
Bit 5		Unused	X
Bit 4		Unused	X
Bit 3		Unused	X
Bit 2		Unused	X
Bit 1		Unused	X
Bit 0	R	ERDII	X

NOTE: To facilitate additional register mapping, shadow registers have been added to registers 0x30, 0x31 and 0x33. These shadow registers are accessed in the same way as the normal registers.

The EXTD (extend register) bit must be set in register 0x36 to allow switching between accessing the normal registers and the shadow registers

This register allows identification and acknowledgment of path level alarm and error event interrupts.

ERDII:

The ERDII bit is set to logic one when a change is detected in the received enhanced RDI state. ERDII is cleared when the RPOP Interrupt Status register is read.

Register 0x32: RPOP Pointer Interrupt Status

Bit	Type	Function	Default
Bit 7	R	ILLJREQI	X
Bit 6		Unused	X
Bit 5	R	DISCOPAI	X
Bit 4	R	INVNDFI	X
Bit 3	R	ILLPTRI	X
Bit 2	R	NSEI	X
Bit 1	R	PSEI	X
Bit 0	R	NDFI	X

This register allows identification and acknowledgment of pointer event interrupts.

NDFI:

The NDFI bit is the new data flag interrupt status bit. NDFI is set to a logic one when the NDF field is active in the received pointer (H1, H2). This bit is cleared when this register is read.

PSEI:

The PSEI bit is the positive stuff event interrupt status bit. PSEI is a logic one when a positive stuff event is detected in the received pointer (H1, H2). This bit is cleared when this register is read.

NSEI:

The NSEI bit is the negative stuff event interrupt status bit. NSEI is a logic one when a negative stuff event is detected in the received pointer (H1, H2). This bit is cleared when this register is read.

ILLPTRI:

The ILLPTRI bit is the illegal pointer interrupt status bit. ILLPTRI is a logic one when an illegal pointer value is detected. This bit is cleared when this register is read.

INVNDFI:

The INVNDFI bit is the illegal new data field value interrupt status bit. INVNDFI is a logic one when an illegal NDF field value is detected in the receive payload pointer. An illegal NDF field is any one of the following six

values: 0x0, 0x3, 0x5, 0xA, 0xC, and 0xF. This bit is cleared when this register is read.

DISCOPAI:

The DISCOPAI bit is the discontinuous change of pointer interrupt status bit. DISCOPAI is a logic one when a new pointer value is validated without an accompanying NDF indication. This bit is cleared when this register is read.

ILLJREQI:

The ILLJREQI bit is the illegal justification request interrupt status bit. ILLJREQI is a logic one when the pointer interpreter detects an illegal pointer justification request event. This bit is cleared when this register is read.

Register 0x33 (EXTD=0): RPOP Interrupt Enable

Bit	Type	Function	Default
Bit 7	R/W	PSLE	0
Bit 6	R/W	Reserved	0
Bit 5	R/W	LOPE	0
Bit 4	R/W	Reserved	0
Bit 3	R/W	PAISE	0
Bit 2	R/W	PRDIE	0
Bit 1	R/W	BIPEE	0
Bit 0	R/W	FEBEE	0

NOTE: To facilitate additional register mapping, shadow registers have been added to registers 0x30, 0x31 and 0x33. These shadow registers are accessed in the same way as the normal registers.

The EXTD (extend register) bit must be set in register 0x36 to allow switching between accessing the normal registers and the shadow registers

This register allows interrupt generation to be enabled for path level alarm and error events.

FEBEE:

The FEBEE bit is the interrupt enable for path FEBEs. When FEBEE is a logic one, an interrupt is generated when a path FEBE is detected.

BIPEE:

The BIPEE bit is the interrupt enable for path BIP-8 errors. When BIPEE is a logic one, an interrupt is generated when a B3 error is detected.

PRDIE:

The PRDIE bit is the interrupt enable for path RDI. When PRDIE is a logic one, an interrupt is generated when the path RDI state changes.

PAISE:

The PAISE bit is the interrupt enable for path AIS. When PAISE is a logic one, an interrupt is generated when the path AIS state changes.

LOPE:

The LOPE bit is the interrupt enable for LOP. When LOPE is a logic one, an interrupt is generated when the LOP state changes.

PSLE:

The PSLE bit is the interrupt enable for changes in the received path signal label. When PSLE is a logic one, an interrupt is generated when the received C2 byte changes.

Reserved:

The reserved bits must be programmed to logic zero for proper operation.

Register 0x33 (EXTD=1): RPOP Interrupt Enable

Bit	Type	Function	Default
Bit 7		Unused	X
Bit 6		Unused	X
Bit 5		Unused	X
Bit 4		Unused	X
Bit 3		Unused	X
Bit 2		Unused	X
Bit 1		Unused	X
Bit 0	R/W	ERDIE	0

NOTE: To facilitate additional register mapping, shadow registers have been added to registers 0x30, 0x31 and 0x33. These shadow registers are accessed in the same way as the normal registers.

The EXTD (extend register) bit must be set in register 0x36 to allow switching between accessing the normal registers and the shadow registers

This register allows interrupt generation to be enabled for path level alarm and error events.

ERDIE:

When ERDIE is a logic one, an interrupt is generated when a path Enhanced RDI is detected.

Register 0x34: RPOP Pointer Interrupt Enable

Bit	Type	Function	Default
Bit 7	R/W	ILLJREQE	0
Bit 6	R/W	Reserved	0
Bit 5	R/W	DISCOPAE	0
Bit 4	R/W	INVNDFE	0
Bit 3	R/W	ILLPTRE	0
Bit 2	R/W	NSEE	0
Bit 1	R/W	PSEE	0
Bit 0	R/W	NDFE	0

This register is used to enable pointer event interrupts.

NDFE:

When a logic one is written to the NDFE interrupt enable bit position, a change in active offset due to the reception of an enabled NDF (NDF_enabled indication) will activate the interrupt out, INTB.

PSEE:

When a logic one is written to the PSEE interrupt enable bit position, a positive pointer adjustment event will activate the interrupt output, INTB.

NSEE:

When a logic one is written to the NSEE interrupt enable bit position, a negative pointer adjustment event will activate the interrupt output, INTB.

ILLPTRE:

When a logic one is written to the ILLPTRE interrupt enable bit position, an illegal pointer will activate the interrupt output, INTB.

INVNDFE:

When a logic one is written to the INVNDFE interrupt enable bit position, an invalid NDF code will activate the interrupt output, INTB.

DISCOPAE:

When a logic one is written to the DISCOPAE interrupt enable bit position, a change of pointer alignment event will activate the interrupt output, INTB.

ILLJREQE:

When a logic one is written to the ILLJREQE interrupt enable bit position, an illegal pointer justification request will activate the interrupt output, INTB.

Reserved:

The reserved bits must be programmed to logic zero for proper operation.

Register 0x35: RPOP Pointer LSB

Bit	Type	Function	Default
Bit 7	R	PTR[7]	X
Bit 6	R	PTR[6]	X
Bit 5	R	PTR[5]	X
Bit 4	R	PTR[4]	X
Bit 3	R	PTR[3]	X
Bit 2	R	PTR[2]	X
Bit 1	R	PTR[1]	X
Bit 0	R	PTR[0]	X

PTR[7:0]:

The PTR[7:0] bits contain the eight LSBs of the current pointer value that is interpreted from the H1 and H2 bytes. The NDFI, NSEI and PSEI bits of the RPOP Pointer Interrupt Status register should be read before and after reading this register to ensure that the pointer value did not change during the register read.

Register 0x36: RPOP Pointer MSB and RDI Filter Control

Bit	Type	Function	Default
Bit 7	R/W	NDFPOR	0
Bit 6	R/W	EXTD	0
Bit 5	R/W	RDI10	0
Bit 4		Unused	X
Bit 3	R	S1	X
Bit 2	R	S0	X
Bit 1	R	PTR[9]	X
Bit 0	R	PTR[8]	X

PTR[9:8]:

The PTR[9:8] bits contain the two MSBs of the current pointer value that is interpreted from the H1 and H2 bytes. The NDFI, NSEI and PSEI bits of the RPOP Pointer Interrupt Status register should be read before and after reading this register to ensure that the pointer value did not change during the register read.

S0, S1:

The S0 and S1 bits contain the two S bits received in the last H1 byte. These bits should be software debounced by reading this register at least twice.

RDI10:

The RDI10 bit controls the filtering of the remote defect indication and the auxiliary remote defect indication. When RDI10 is a logic one, the PRDI and APRDI status is updated when the same value is received in the corresponding bit of the G1 byte for ten consecutive frames. When RDI10 is a logic zero, the PRDI and APRDI status is updated when the same value is received for five consecutive frames.

NDFPOR:

The NDFPOR (new data flag pointer outside range) bit allows an NDF counter enable, if the pointer value is outside the range (0-782). If this bit is set to logic one the definition for NDF counter enable is enabled NDF + ss. If this bit is set to logic zero the definition for NDF counter enable is enabled NDF + ss + offset in the range of 0 to 782. Note that this bit only allows the NDF counter to count towards LOP when the pointer is out of range, no active offset change will occur.

EXTD:

The EXTD bit extends the registers to facilitate additional mapping. If this bit is set to logic one the register mapping, for registers 0x30, 0x31 and 0x33, are extended.

Register 0x37: RPOP Path Signal Label

Bit	Type	Function	Default
Bit 7	R	PSL[7]	X
Bit 6	R	PSL[6]	X
Bit 5	R	PSL[5]	X
Bit 4	R	PSL[4]	X
Bit 3	R	PSL[3]	X
Bit 2	R	PSL[2]	X
Bit 1	R	PSL[1]	X
Bit 0	R	PSL[0]	X

PSL[7:0]:

The PSL[7:0] bits contain the path signal label byte (C2). The value in this register is updated to a new path signal label value if the same new value is observed for three or five consecutive frames, depending on the status of the PSL5 bit.

Register 0x38: RPOP Path BIP-8 LSB

Bit	Type	Function	Default
Bit 7	R	PBE[7]	X
Bit 6	R	PBE[6]	X
Bit 5	R	PBE[5]	X
Bit 4	R	PBE[4]	X
Bit 3	R	PBE[3]	X
Bit 2	R	PBE[2]	X
Bit 1	R	PBE[1]	X
Bit 0	R	PBE[0]	X

Register 0x39: RPOP Path BIP-8 MSB

Bit	Type	Function	Default
Bit 7	R	PBE[15]	X
Bit 6	R	PBE[14]	X
Bit 5	R	PBE[13]	X
Bit 4	R	PBE[12]	X
Bit 3	R	PBE[11]	X
Bit 2	R	PBE[10]	X
Bit 1	R	PBE[9]	X
Bit 0	R	PBE[8]	X

PBE[15:0]:

PBE[15:0] represent the number of B3 errors (individual or block) that have been detected since the last time the error count was polled. The error count is polled by writing to either of the RPOP Path BIP-8 Register addresses or to either of the RPOP Path FEBE Register addresses. Such a write transfers the internally accumulated error count to the Path BIP-8 registers within a maximum of 7 μ s and simultaneously resets the internal counter to begin a new cycle of error accumulation. This transfer and reset is carried out in a manner that ensures that coincident events are not lost.

The count can also be polled by writing to the S/UNI-TETRA Channel Reset and Monitoring Update register (0x05).

Register 0x3A: RPOP Path FEBE LSB

Bit	Type	Function	Default
Bit 7	R	PFE[7]	X
Bit 6	R	PFE[6]	X
Bit 5	R	PFE[5]	X
Bit 4	R	PFE[4]	X
Bit 3	R	PFE[3]	X
Bit 2	R	PFE[2]	X
Bit 1	R	PFE[1]	X
Bit 0	R	PFE[0]	X

Register 0x3B: RPOP Path FEBE MSB

Bit	Type	Function	Default
Bit 7	R	PFE[15]	X
Bit 6	R	PFE[14]	X
Bit 5	R	PFE[13]	X
Bit 4	R	PFE[12]	X
Bit 3	R	PFE[11]	X
Bit 2	R	PFE[10]	X
Bit 1	R	PFE[9]	X
Bit 0	R	PFE[8]	X

These registers allow path FEBEs to be accumulated.

PFE[15:0]:

PFE[15:0] represent the number of path FEBE errors (G1) that have been detected since the last time the error count was polled. The error count is polled by writing to either of the RPOP Path BIP-8 Register addresses or to either of the RPOP Path FEBE Register addresses. Such a write transfers the internally accumulated error count to the Path FEBE Registers within a maximum of 7 μ s and simultaneously resets the internal counter to begin a new cycle of error accumulation. This transfer and reset is carried out in a manner that ensures that coincident events are not lost.

The count can also be polled by writing to the S/UNI-TETRA Channel Reset and Monitoring Update register (0x05).

Register 0x3C: RPOP Auxiliary RDI

Bit	Type	Function	Default
Bit 7		Unused	X
Bit 6		Unused	X
Bit 5	R/W	Reserved	0
Bit 4	R/W	BLKFEBE	0
Bit 3		Unused	X
Bit 2	R/W	Reserved	0
Bit 1	R/W	APRDIE	0
Bit 0	R	APRDIV	X

APRDIE:

The APRDIE bit is the interrupt enable for auxiliary path RDI. When APRDIE is a logic one, an interrupt is generated when the auxiliary path RDI state changes.

APRDIV:

The APRDIV bit is read to determine the auxiliary path RDI state. When APRDIV is a logic one, the S/UNI-TETRA has declared auxiliary path RDI.

BLKFEBE:

When set to logic one, the block FEBE bitg (BLKFEBE) causes path FEBE errors to be reported and accumulated on a block basis. A single path FEBE error is accumulated for a block if the received FEBE code for that block is between 1 and 8 inclusive. When BLKFEBE is set low, path FEBE errors are accumulated on an error basis.

Reserved:

The reserved bits must be programmed to logic zero for proper operation.

Register 0x3D: RPOP Error Event Control

Bit	Type	Function	Default
Bit 7	R/W	SOS	0
Bit 6	R/W	ENSS	0
Bit 5	R/W	BLKBIP	0
Bit 4	R/W	Reserved	0
Bit 3	R/W	BLKBIPO	0
Bit 2	R/W	Reserved	0
Bit 1	R/W	Reserved	0
Bit 0	R/W	Reserved	0

This register contains error event control bits.

BLKBIPO:

When BLKBIPO is a logic one, path FEBE indications are generated on a block basis. A single FEBE is transmitted if one or more path B3 error indications are detected per frame. When BLKBIPO is a logic zero, the transmitted FEBE indicates the number of B3 errors detected (between 0 and 8 errors per frame).

BLKBIP:

When BLKBIP is a logic one, B3 errors are reported and accumulated on a block basis. A single B3 error is accumulated and reported to the TPOP if one or more B3 errors are detected per frame. When BLKBIP is a logic zero, each B3 error is accumulated and reported.

ENSS:

The ENSS bit controls whether the SS bits in the payload pointer are included in the pointer interpreter state machine. When ENSS is a logic one, an incorrect SS bit pattern causes the pointer interpreter to enter the LOP (loss of pointer) state and prevents a new pointer indication. When ENSS is a logic zero, the SS bits are ignored by the pointer interpreter.

SOS:

The SOS controls the spacing between consecutive pointer justification events in the receive stream. When SOS is a logic one, the definition of inc_ind and dec_ind indications includes the requirement that active offset changes have occurred at least three frames ago. When SOS is a logic zero, pointer justification indications in the receive stream are followed without regard to the proximity of previous active offset changes.

Reserved:

The reserved bits must be programmed to logic zero for proper operation.

Register 0x40: TPOP Control/Diagnostic

Bit	Type	Function	Default
Bit 7		Unused	X
Bit 6	R/W	EPRDIEN	0
Bit 5	R/W	EPRDISRC	0
Bit 4	R/W	PERSIST	0
Bit 3	R/W	Reserved	0
Bit 2	R/W	Reserved	0
Bit 1	R/W	DBIP8	0
Bit 0	R/W	PAIS	0

This register allows insertion of path level alarms and diagnostic signals.

PAIS:

The PAIS bit controls the insertion of STS path alarm indication signal. When a logic one is written to this bit position, the complete SPE, and the pointer bytes (H1, H2, and H3) are overwritten with the all-ones pattern. When a logic zero is written to this bit position, the pointer bytes and the SPE are processed normally.

DBIP8:

The DBIP8 bit controls the insertion of bit errors continuously in the B3 byte. When DBIP8 is a logic one, the B3 byte is inverted.

PERSIST

The path far end receive failure alarm persistence bit (PERSIST) controls the persistence of the RDI asserted into the transmit stream. When PERSIST is a logic one, the RDI code inserted into the transmit stream as a result of consequential actions is asserted for a minimum of 20 frames in non-enhanced RDI mode, or the last valid RDI code before an idle code (idle codes are when bits 5,6,7 are 000, 001, or 011) is asserted for 20 frames in enhanced RDI mode. When PERSIST is logic zero, the transmit RDI code changes immediately based on received alarm conditions.

EPRDISRC

The enhanced path receive defect indication alarm source bit (EPRDISRC) controls the source of RDI input to be inserted onto the G1 byte.. When EPRDIEN is logic zero, the extended RDI bits of the G1 byte not overwritten by the TPOP block, regardless of EPRDISRC. When EPRDIEN is logic one and EPRDISCR is logic zero, the extended RDI bits of the G1 byte, bits 6 and

7, are inserted according to the value in the G1[1:0] register bits (register 0x49). When EPRDIEN is logic one and EPRDISCR is logic one, the value register 0x49 G1[1:0] is ignored and the EPRDI bits in the G1 byte are set according to the setting of the Channel Auto Enhanced Path RDI Control registers (0x92 and 0x93).

EPRDIEN

The enhanced path receive defect indication alarm enable bit (EPRDIEN) controls the use of 3-bit RDI mode. When EPRDIEN is set to logic 0, the basic path RDI scheme is used and only G1[5] is used to indicate PRDI. When EPRDIEN is set to logic 1, the enhanced path RDI scheme is used and the three G1[7:5] bits are used to indicate PRDI. The actual three bit code will be controlled according to the EPRDISRC.

Reserved:

The reserved bits must be programmed to logic zero for proper operation.

Register 0x41: TPOP Pointer Control

Bit	Type	Function	Default
Bit 7	R/W	H1LOAD	0
Bit 6	R/W	FTPTR	0
Bit 5	R/W	SOS	0
Bit 4	R/W	PLD	0
Bit 3	R/W	NDF	0
Bit 2	R/W	NSE	0
Bit 1	R/W	PSE	0
Bit 0	R/W	Reserved	0

This register allows control over the transmitted payload pointer for diagnostic purposes.

PSE:

The PSE bit controls the insertion of positive pointer movements. A logic zero to logic one transition on this bit enables the insertion of a single positive pointer justification in the transmit stream. This register bit is automatically cleared when the pointer movement is inserted.

NSE:

The NSE bit controls the insertion of negative pointer movements. A logic zero to logic one transition on this bit enables the insertion of a single negative pointer justification in the transmit stream. This register bit is automatically cleared when the pointer movement is inserted.

NDF:

The NDF bit controls the insertion of new data flags in the inserted payload pointer. When a logic one is written to this bit position, the pattern contained in the NDF[3:0] bit positions in the TPOP Arbitrary Pointer MSB Register is inserted continuously in the payload pointer. When a logic zero is written to this bit position, the normal pattern (0110) is inserted in the payload pointer.

PLD:

The PLD bit controls the loading of the pointer value contained in the TPOP Arbitrary Pointer Registers. Normally the TPOP Arbitrary Pointer Registers are written to set up the arbitrary new pointer value, the S-bit values, and the NDF pattern. A logic one is then written to this bit position to load the new pointer value. The new data flag bit positions are set to the programmed NDF pattern for the first frame; subsequent frames have the new data flag bit

positions set to the normal pattern (0110) unless the NDF bit described above is set to a logic one. This bit is automatically cleared after the new payload pointer is loaded.

Note: When loading an out of range pointer (that is a pointer with a value greater than 782), the TPOP continues to operate with timing based on the last valid pointer value. The out of range pointer value is inserted in the transmit stream. Although a valid SPE will continue to be generated, it is unlikely to be extracted by downstream circuitry which should be in a loss of pointer state.

SOS:

The SOS bit controls the stuff opportunity spacing between consecutive SPE positive or negative stuff events. When SOS is a logic zero, stuff events may be generated every frame as controlled by the PSE and NSE register bits described above. When SOS is a logic one, stuff events may be generated at a maximum rate of once every four frames.

FTPTR:

The force transient pointer bit (FTPTR) enables the insertion of the pointer value contained in the Arbitrary Pointer Registers into the transmit stream for diagnostic purposes. When FTPTR is a logic one, the APTR[9:0] bits of the Arbitrary Pointer Registers are inserted into the H1 and H2 bytes of the transmit stream. At least one corrupted pointer is guaranteed to be sent. When FTPTR is a logic zero, the pointer value in the Current Pointer registers is inserted in the transmit stream.

H1LOAD:

The H1 load bit (H1LOAD) controls the periodic updating of the payload pointer at the H1 byte. When H1LOAD is logic one, the payload pointer is updated with an adjusted arbitrary payload pointer at every occurrence of the H1 byte. This adjusted arbitrary payload pointer value is reset with the Arbitrary Pointer Register by writing to the PLD bit in the Pointer Control Register, and is adjusted whenever there are outgoing pointer justifications. When H1LOAD is logic zero, the payload pointer is only updated with the value in the Arbitrary Pointer Registers by writing to the PLD bit in the Pointer Control Register.

Reserved:

The reserved bits must be programmed to logic zero for proper operation.

Register 0x43: TPOP Current Pointer LSB

Bit	Type	Function	Default
Bit 7	R	CPTR[7]	X
Bit 6	R	CPTR[6]	X
Bit 5	R	CPTR[5]	X
Bit 4	R	CPTR[4]	X
Bit 3	R	CPTR[3]	X
Bit 2	R	CPTR[2]	X
Bit 1	R	CPTR[1]	X
Bit 0	R	CPTR[0]	X

CPTR[7:0]:

The CPTR[7:0] bits, along with the CPTR[9:8] bits in the TPOP Current Pointer MSB Register reflect the value of the current payload pointer being inserted in the transmit stream. The value may be changed by loading a new pointer value using the TPOP Arbitrary Pointer LSB and MSB Registers, or by inserting positive and negative pointer movements using the PSE and NSE register bits.

Register 0x44: TPOP Current Pointer MSB

Bit	Type	Function	Default
Bit 7		Unused	X
Bit 6		Unused	X
Bit 5		Unused	X
Bit 4		Unused	X
Bit 3		Unused	X
Bit 2		Unused	X
Bit 1	R	CPTR[9]	X
Bit 0	R	CPTR[8]	X

CPTR[9:8]:

The CPTR[9:8] bits, along with the CPTR[7:0] bits in the TPOP Current Pointer LSB Register reflect the value of the current payload pointer being inserted in the transmit stream. The value may be changed by loading a new pointer value using the TPOP Arbitrary Pointer LSB and MSB Registers, or by inserting positive and negative pointer movements using the PSE and NSE register bits.

It is recommended the CPTR[9:0] value be software de-bounced to ensure a correct value is received.

Register 0x45: TPOP Arbitrary Pointer LSB

Bit	Type	Function	Default
Bit 7	R/W	APTR[7]	0
Bit 6	R/W	APTR[6]	0
Bit 5	R/W	APTR[5]	0
Bit 4	R/W	APTR[4]	0
Bit 3	R/W	APTR[3]	0
Bit 2	R/W	APTR[2]	0
Bit 1	R/W	APTR[1]	0
Bit 0	R/W	APTR[0]	0

This register allows an arbitrary pointer to be inserted for diagnostic purposes.

APTR[7:0]:

The APTR[7:0] bits, along with the APTR[9:8] bits in the TPOP Arbitrary Pointer MSB Register are used to set an arbitrary payload pointer value. The arbitrary pointer value is inserted in the transmit stream by writing a logic one to the PLD bit in the TPOP Pointer Control Register.

If the FTPTR bit in the TPOP Pointer Control register is a logic one, the current APTR[9:0] value is inserted into the payload pointer bytes (H1 and H2) in the transmit stream.

Register 0x46: TPOP Arbitrary Pointer MSB

Bit	Type	Function	Default
Bit 7	R/W	NDF[3]	1
Bit 6	R/W	NDF[2]	0
Bit 5	R/W	NDF[1]	0
Bit 4	R/W	NDF[0]	1
Bit 3	R/W	S[1]	1
Bit 2	R/W	S[0]	0
Bit 1	R/W	APTR[9]	0
Bit 0	R/W	APTR[8]	0

This register allows an arbitrary pointer to be inserted for diagnostic purposes.

APTR[9:8]:

The APTR[9:8] bits, along with the APTR[7:0] bits in the TPOP Arbitrary Pointer LSB Register are used to set an arbitrary payload pointer value. The arbitrary pointer value is inserted in the transmit stream by writing a logic one to the PLD bit in the TPOP Pointer Control Register.

If the FTPTR bit in the TPOP Pointer Control register is a logic one, the current APTR[9:0] value is inserted into the payload pointer bytes (H1 and H2) in the transmit stream.

S[1], S[0]:

The S[1:0] bits contain the value inserted in the S[1:0] bit positions (also referred to as the unused bits) in the payload pointer.

NDF[3:0]:

The NDF[3:0] bits contain the value inserted in the NDF bit positions when an arbitrary new payload pointer value is inserted (using the PLD bit in the TPOP Pointer Control Register) or when new data flag generation is enabled using primary input NDF, or the NDF bit in the TPOP Pointer Control Register.

Register 0x47: TPOP Path Trace

Bit	Type	Function	Default
Bit 7	R/W	J1[7]	0
Bit 6	R/W	J1[6]	0
Bit 5	R/W	J1[5]	0
Bit 4	R/W	J1[4]	0
Bit 3	R/W	J1[3]	0
Bit 2	R/W	J1[2]	0
Bit 1	R/W	J1[1]	0
Bit 0	R/W	J1[0]	0

This register allows control over the path trace byte.

J1[7:0]:

The J1[7:0] bits are inserted in the J1 byte position in the transmit stream when insertion from the SPTB is disabled.

Register 0x48: TPOP Path Signal Label

Bit	Type	Function	Default
Bit 7	R/W	C2[7]	0
Bit 6	R/W	C2[6]	0
Bit 5	R/W	C2[5]	0
Bit 4	R/W	C2[4]	0
Bit 3	R/W	C2[3]	0
Bit 2	R/W	C2[2]	0
Bit 1	R/W	C2[1]	0
Bit 0	R/W	C2[0]	1

This register allows control over the path signal label.

C2[7:0]:

The C2[7:0] bits are inserted in the C2 byte position in the transmit stream. Upon reset the register defaults to 0x01, which signifies an equipped but not specific payload. This register should be reprogrammed with the value 0x13 when in Asynchronous Transfer Mode (ATM) mode. This register should be reprogrammmed with the value 0xCF for non-scrambled data and 0x16 for scrambled data when in Packet over SONET/SDH (POS) mode. Refer to the operations sections for more information on how to set the S/UNI-TETRA in ATM or POS mode.

Register 0x49: TPOP Path Status

Bit	Type	Function	Default
Bit 7	R/W	FEBE[3]	0
Bit 6	R/W	FEBE[2]	0
Bit 5	R/W	FEBE[1]	0
Bit 4	R/W	FEBE[0]	0
Bit 3	R/W	PRDI	0
Bit 2	R/W	APRDI	0
Bit 1	R/W	G1[1]	0
Bit 0	R/W	G1[0]	0

This register allows control over the path status byte.

G[1:0]:

The G1[1:0] bits are inserted in bits 1 and 2 of the path status byte G1. These bits are ignored when EPRDIEN and EPRDISRC are both logic one. See the description of EPRDIEN and EPRDISRC for more details on how G1 can be controlled.

APRDI

The APRDI bit controls the insertion of the auxiliary path remote defect indication. When APRDI is a logic one, the APRDI bit position in the path status byte is set high. When APRDI is a logic zero, the APRDI bit position in the path status byte is set low.

PRDI:

The PRDI bit controls the insertion of the path remote defect indication. When a logic one is written to this bit position, the PRDI bit position in the path status byte is set high. When a logic zero is written to this bit position, the PRDI bit position in the path status byte is set low. This bit is ignored when EPRDIEN and EPRDISRC are both logic one and the EPRDI bits in the G1 byte ~~(bit 6) is are~~ set according to the setting of the Channel Auto Enhanced Path RDI Control Registers (0x92 and 0x93).

FEBE[3:0]:

The FEBE[3:0] bits are inserted in the FEBE bit positions in the path status byte. The value contained in FEBE[3:0] is cleared after being inserted in the path status byte. Any non-zero FEBE value overwrites the value that would normally have been inserted based on the number of receive B3 errors during

the last frame. When reading this register, a non-zero value in these bit positions indicates that the insertion of this value is still pending.

Register 0x50: SPTB Control

Bit	Type	Function	Default
Bit 7	R/W	ZEROEN	0
Bit 6	R/W	RRAMACC	0
Bit 5	R/W	RTIUIE	0
Bit 4	R/W	RTIMIE	0
Bit 3	R/W	PER5	0
Bit 2	R/W	TNULL	1
Bit 1	R/W	NOSYNC	0
Bit 0	R/W	LEN16	0

This register controls the receive and transmit portions of the SPTB.

LEN16:

The LEN16 bit selects the length of the path trace message to be 16 bytes or 64 bytes. When LEN16 is a logic one, a 16 byte path trace message is selected. When LEN16 is a logic zero, a 64 byte path trace message is selected.

NOSYNC:

The NOSYNC bit disables the writing of the path trace message into the trace buffer to be synchronized to the content of the message. When LEN16 is a logic one and NOSYNC is a logic zero, the receive path trace message byte with its most significant bit set will be written to the first location in the buffer. When LEN16 and NOSYNC are logic zero, the byte after the carriage return/linefeed (CR/LF) sequence will be written to the first location in the buffer. When NOSYNC is a logic one, synchronization is disabled, and the path trace message buffer behaves as a circular buffer.

TNULL:

The TNULL bit controls the insertion of an all-zero path trace identifier message in the transmit stream. When TNULL is a logic one, the contents of the transmit buffer is ignored and all-zeros bytes are inserted. When TNULL is a logic zero, the contents of the transmit path trace buffer is sent to TSOP for insertion into the J1 transmit path overhead byte. TNULL should be set high before changing the contents of the trace buffer to avoid sending partial messages.

PER5:

The PER5 bit controls the number of times a path trace identifier message must be received unchanged before being accepted. When PER5 is a logic one, a message is accepted when it is received unchanged five times consecutively. When PER5 is a logic zero, the message is accepted after three identical repetitions.

RTIMIE:

The RTIMIE bit controls the activation of the interrupt output when the comparison between accepted identifier message and the expected message changes state. When RTIMIE is a logic one, changes in match state activates the interrupt (INTB) output.

RTIUIE:

The RTIUIE bit controls the activation of the interrupt output when the receive identifier message changes state. When RTIUIE is a logic one, changes in the received path trace identifier message stable/unstable state will activate the interrupt (INTB) output.

RRAMACC:

The RRAMACC bit directs read and writes access to either the receive or transmit path trace buffer. When RRAMACC is a logic one, microprocessor accesses are directed to the receive path trace buffer. When RRAMACC is a logic zero, microprocessor accesses are directed to the transmit path trace buffer.

ZEROEN:

The zero enable bit (ZEROEN) enables TIM assertion and removal based on an all ZERO's path trace message string. When ZEROEN is set high, all ZERO's path trace message strings are considered when entering and exiting TIM states. When ZEROEN is set low, all ZERO's path trace message strings are ignored.

Reserved:

The reserved bits must be programmed to logic zero for proper operation.

Register 0x51: SPTB Path Trace Identifier Status

Bit	Type	Function	Default
Bit 7	R	BUSY	0
Bit 6		Unused	X
Bit 5		Unused	X
Bit 4		Unused	X
Bit 3	R	RTIUI	X
Bit 2	R	RTIUV	X
Bit 1	R	RTIMI	X
Bit 0	R	RTIMV	X

This register reports the path trace identifier status of the SPTB.

RTIMV:

The RTIMV bit reports the match/mismatch status of the identifier message framer. RTIMV is a logic one when the accepted identifier message differs from the expected message written by the microprocessor. RTIMV is a logic zero when the accepted message matches the expected message.

RTIMI:

The RTIMI bit is a logic one when match/mismatch status of the trace identifier framer changes state. This bit is cleared when this register is read.

RTIUV:

The RTIUV bit reports the stable/unstable status of the identifier message framer. RTIUV is a logic one when the current received path trace identifier message has not matched the previous message for eight consecutive messages. RTIUV is a logic zero when the current message becomes the accepted message as determined by the PER5 bit in the SPTB Control register.

RTIUI:

The RTIUI bit is a logic one when stable/unstable status of the trace identifier framer changes state. This bit is cleared when this register is read.

BUSY:

The BUSY bit reports whether a previously initiated indirect read or write to a message buffer was completed. BUSY is set to a logic one immediately upon writing to the SPTB Indirect Address register, and stays high until the initiated

access is completed (about 0.6 μ s). This register should be polled to determine when new data is available in the SPTB Indirect Data register.

Register 0x52: SPTB Indirect Address Register

Bit	Type	Function	Default
Bit 7	R/W	RWB	0
Bit 6	R/W	A[6]	0
Bit 5	R/W	A[5]	0
Bit 4	R/W	A[4]	0
Bit 3	R/W	A[3]	0
Bit 2	R/W	A[2]	0
Bit 1	R/W	A[1]	0
Bit 0	R/W	A[0]	0

This register supplies the address used to index into path trace identifier buffers.

A[6:0]:

The indirect read address bits (A[6:0]) are used to address the path trace identifier buffers. When RRAMACC is set high, addresses 0 to 63 reference the captured message page while addresses 64 to 127 reference the expected message page of the receive path trace buffer. The captured message page contains the identifier bytes extracted from the receive stream. The expected message page contains the path trace message to which the captured message page is compared. When RRAMACC is set low, addresses 0 to 63 reference the transmit path trace buffer which contains the path trace message inserted in the transmit stream.

RWB:

The access control bit (RWB) selects between an indirect read or write access to the selected path trace buffer (receive or transmit as determined by the RRAMACC bit). Writing to this register initiates an access to the selected path trace buffer. When RWB is a logic one, a read access is initiated. The addressed location's contents are placed in the SPTB Indirect Data register. When RWB is a logic zero, a write access is initiated. The data in the SPTB Indirect Data register is written to the addressed location in the selected buffer.

Register 0x53: SPTB Indirect Data Register

Bit	Type	Function	Default
Bit 7	R/W	D[7]	0
Bit 6	R/W	D[6]	0
Bit 5	R/W	D[5]	0
Bit 4	R/W	D[4]	0
Bit 3	R/W	D[3]	0
Bit 2	R/W	D[2]	0
Bit 1	R/W	D[1]	0
Bit 0	R/W	D[0]	0

This register contains the data read from the path trace message buffer after a read operation or the data to be written into the buffer before a write operation.

D[7:0]:

The indirect data bits (D[7:0]) contains the data read from either the transmit or receive path trace buffer after an indirect read operation is completed. The data that is written to a buffer is set up in this register before initiating the indirect write operation.

Register 0x54: SPTB Expected Path Signal Label

Bit	Type	Function	Default
Bit 7	R/W	EPSL[7]	0
Bit 6	R/W	EPSL[6]	0
Bit 5	R/W	EPSL[5]	0
Bit 4	R/W	EPSL[4]	0
Bit 3	R/W	EPSL[3]	0
Bit 2	R/W	EPSL[2]	0
Bit 1	R/W	EPSL[1]	0
Bit 0	R/W	EPSL[0]	0

EPSL[7:0]:

The EPSL[7:0] bits contain the expected path signal label byte (C2). EPSL[7:0] is compared with the C2 byte extracted from the receive stream. A path signal label match or mismatch is declared based upon the following table:

Expect	Receive	Action Declared
00	00	Match
00	01	Mismatch
00	XX	Mismatch
01	00	Mismatch
01	01	Match
01	XX	Match
XX	00	Mismatch
XX	01	Match
XX	XX	Match
XX	YY	Mismatch

Register 0x55: SPTB Path Signal Label Status

Bit	Type	Function	Default
Bit 7	R/W	RPSLUIE	0
Bit 6	R/W	RPSLMIE	0
Bit 5		Unused	X
Bit 4		Unused	X
Bit 3	R	RPSLUI	X
Bit 2	R	RPSLUV	X
Bit 1	R	RPSLMI	X
Bit 0	R	RPSLMV	X

This register reports the path signal label status of the SPTB.

RPSLMV:

The RPSLMV bit reports the match/mismatch status between the expected and the accepted path signal label. RPSLMV is a logic one when the accepted PSL results in a mismatch with the expected PSL written by the microprocessor. RPSLMV is a logic zero when the accepted PSL results in a match with the expected PSL.

RPSLMI:

The RPSLMI bit is a logic one when the match/mismatch status between the accepted and the expected path signal label changes state. This bit is cleared when this register is read.

RPSLUV:

The RPSLUV reports the stable/unstable status of the path signal label in the receive stream. RPSLUV is a logic one when the current received C2 byte differs from the previous C2 byte for five consecutive frames. RPSLUV is a logic zero when the same PSL code is received for five consecutive frames.

RPSLUI:

The RPSLUI bit is a logic one when the stable/unstable status of the path signal label changes state. This bit is cleared when this register is read.

RPSLMIE:

The RPSLMIE bit is the interrupt enable for the path signal label match/mismatch status. When RPSLMIE is a logic one changes in the match state generate an interrupt.

RPSLUIE:

The RPSLUIE bit is the interrupt enable for the path signal label stable/unstable status. When RPSLUIE is a logic one, changes in the stable/unstable state generate an interrupt.

Register 0x60: RXCP_50 Configuration 1

Bit	Type	Function	Default
Bit 7	R/W	DDSCR	0
Bit 6	R/W	Reserved	0
Bit 5		Unused	X
Bit 4		Unused	X
Bit 3		Unused	X
Bit 2	R/W	HCSADD	1
Bit 1	R/W	Reserved	0
Bit 0	R/W	DISCOR	0

DISCOR:

The DISCOR bit controls the HCS error correction algorithm. When DISCOR is a logic zero, the error correction algorithm is enabled, and single-bit errors detected in the cell header are corrected. When DISCOR is a logic one, the error correction algorithm is disabled, and any error detected in the cell header is treated as an uncorrectable HCS error.

HCSADD:

The HCSADD bit controls the addition of the coset polynomial, $x^6+x^4+x^2+1$, to the HCS octet prior to comparison. When HCSADD is a logic one, the polynomial is added, and the resulting HCS is compared. When HCSADD is a logic zero, the polynomial is not added, and the unmodified HCS is compared.

DDSCR:

The DDSCR bit controls the de-scrambling of the cell payload with the polynomial $x^43 + 1$. When DDSCR is set to logic one, cell payload de-scrambling is disabled. When DDSCR is set to logic zero, payload de-scrambling is enabled.

Register 0x61: RXCP_50 Configuration 2

Bit	Type	Function	Default
Bit 7	R/W	CCDIS	0
Bit 6	R/W	HCSPASS	0
Bit 5	R/W	IDLEPASS	0
Bit 4	R/W	Reserved	0
Bit 3	R/W	Reserved	0
Bit 2	R/W	Reserved	0
Bit 1	R/W	HCSFTR[1]	0
Bit 0	R/W	HCSFTR[0]	0

HCSFTR[1:0]:

The HCS filter bits, HCSFTR[1:0] indicate the number of consecutive error-free cells required, while in detection mode, before reverting back to correction mode.

HCSFTR[1:0]	Cell Acceptance Threshold
00	One ATM cell with correct HCS before resumption of cell acceptance. This cell is accepted.
01	Two ATM cells with correct HCS before resumption of cell acceptance. The last cell is accepted.
10	Four ATM cells with correct HCS before resumption of cell acceptance. The last cell is accepted.
11	Eight ATM cells with correct HCS before resumption of cell acceptance. The last cell is accepted.

IDLEPASS:

The IDLEPASS bit controls the function of the Idle Cell filter. When IDLEPASS is written with a logic zero, all cells that match the Idle Cell Header Pattern and Idle Cell Header Mask are filtered out. When IDLEPASS is a logic one, the Idle Cell Header Pattern and Mask registers are ignored. The default state of this bit and the bits in the Idle Cell Header Mask and Idle Cell Header Pattern Registers enable the dropping of idle cells.

HCSPASS:

The HCSPASS bit controls the dropping of cells based on the detection of an uncorrectable HCS error. When HCSPASS is a logic zero, cells containing an uncorrectable HCS error are dropped. When HCSPASS is a logic one, cells are passed to the receive FIFO regardless of errors detected in the HCS. Additionally, the HCS verification finite state machine never exits the correction mode.

Regardless of the programming of this bit, cells are always dropped while the cell delineation state machine is in the 'HUNT' or 'PRESYNC' states unless the CCDIS bit in this register is set to logic one.

CCDIS:

The CCDIS bit can be used to disable all cell filtering and cell delineation. All payload data read from the RXCP_50 is passed into its FIFO without the requirement of having to find cell delineation first. Reserved:

The reserved bits must be programmed to logic zero for proper operation.

Register 0x62: RXCP_50 FIFO/UTOPIA Control & Config

Bit	Type	Function	Default
Bit 7	R/W	RXPTYP	0
Bit 6		Unused	X
Bit 5	R/W	RCAINV	0
Bit 4	R/W	RCALEVEL0	1
Bit 3		Unused	X
Bit 2		Unused	X
Bit 1		Unused	X
Bit 0	R/W	FIFORST	0

FIFORST:

The FIFORST bit is used to reset the four-cell receive FIFO. When FIFORST is set to logic zero, the FIFO operates normally. When FIFORST is set to logic one, the FIFO is immediately emptied and ignores writes. The FIFO remains empty and continues to ignore writes until a logic zero is written to FIFORST.

RCALEVEL0:

The RCA (and DRCA[x]) level 0 bit, RCALEVEL0, determines what output RCA (and DRCA[x]) indicates when it transitions low. When RCALEVEL0 is set to logic one, a high-to-low transition on output DRCA[x] and RCA indicates that the receive FIFO is empty. DRCA[x] and RCA, if polled, will de-assert on the rising RFCLK edge after Payload word 24 is output. When RCALEVEL0 is set to logic zero, a high-to-low transition on output DRCA[x] and RCA, if polled, indicates that the receive FIFO is near empty. DRCA[x] and RCA, if polled, will de-assert on the rising RFCLK edge after Payload word 19 is output.

RCAINV:

The RCAINV bit inverts the polarity of the DRCA[x] and RCA output signal. When RCAINV is a logic one, the polarity of DRCA[x] and RCA is inverted (DRCA[x] and RCA at logic zero means there is a receive cell available to be read). When RCAINV is a logic zero, the polarity of RCA and DRCA[x] is not inverted.

RXPTYP:

The RXPTYP bit selects even or odd parity for output RPRTY. When set to logic one, output RPRTY is the even parity bit for outputs RDATA[15:0]. When

RXPTYP is set to logic zero, RPRTY is the odd parity bit for outputs RDAT[15:0].

Register 0x63: RXCP_50 Interrupt Enables and Counter Status

Bit	Type	Function	Default
Bit 7	R	XFERI	X
Bit 6	R	OVR	X
Bit 5		Unused	X
Bit 4	R/W	XFERE	0
Bit 3	R/W	OOCDE	0
Bit 2	R/W	HCSE	0
Bit 1	R/W	FOVRE	0
Bit 0	R/W	LCDE	0

LCDE:

The LCDE bit enables the generation of an interrupt due to a change in the LCD state. When LCDE is set to logic one, the interrupt is enabled.

FOVRE:

The FOVRE bit enables the generation of an interrupt due to a FIFO overrun error condition. When FOVRE is set to logic one, the interrupt is enabled.

HCSE:

The HCSE bit enables the generation of an interrupt due to the detection of a corrected or an uncorrected HCS error. When HCSE is set to logic one, the interrupt is enabled.

OOCDE:

The OOCDE bit enables the generation of an interrupt due to a change in cell delineation state. When OOCDE is set to logic one, the interrupt is enabled.

XFERE:

The XFERE bit enables the generation of an interrupt when an accumulation interval is completed and new values are stored in the RXCP_50 Count registers. When XFERE is set to logic one, the interrupt is enabled.

OVR:

The OVR bit is the overrun status of the RXCP_50 Performance Monitoring Count registers. A logic one in this bit position indicates that a previous transfer (indicated by XFERI being logic one) has not been acknowledged before the next accumulation interval has occurred and that the contents of

the RXCP_50 Count registers have been overwritten. OVR is set to logic zero when this register is read.

XFERI:

The XFERI bit indicates that a transfer of RXCP_50 Performance Monitoring Count data has occurred. A logic one in this bit position indicates that the RXCP_50 Count registers have been updated. This update is initiated by writing to one of the RXCP_50 Count register locations or to the S/UNI-TETRA Identification, Master Reset, and Global Monitor Update register. XFERI is set to logic zero when this register is read.

Register 0x64: RXCP_50 Status/Interrupt Status

Bit	Type	Function	Default
Bit 7	R	OOCDV	X
Bit 6	R	LCDV	X
Bit 5		Unused	X
Bit 4	R	OOCDI	X
Bit 3	R	CHCSI	X
Bit 2	R	UHCSI	X
Bit 1	R	FOVRI	X
Bit 0	R	LCDI	X

LCDI:

The LCDI bit is set high when there is a change in the loss of cell delineation (LCD) state. This bit is reset immediately after a read to this register.

FOVRI:

The FOVRI bit is set to logic one when a FIFO overrun occurs. This bit is reset immediately after a read to this register. When the RXCP Interrupt Status register is read, the FOVRI is cleared and will not assert again even if FIFO is still in overrun. A FIFO reset should be performed to allow the reassertion of the FOVRI interrupt.

UHCSI:

The UHCSI bit is set high when an uncorrected HCS error is detected. This bit is reset immediately after a read to this register.

CHCSI:

The CHCSI bit is set high when a corrected HCS error is detected. This bit is reset immediately after a read to this register.

OOCDI:

The OOCDI bit is set high when the RXCP_50 enters or exits the SYNC state. The OOCDV bit indicates whether the RXCP_50 is in the SYNC state or not. The OOCDI bit is reset immediately after a read to this register.

LCDV:

The LCDV bit gives the Loss of Cell Delineation state. When LCD is logic one, an out of cell delineation (OCD) defect has persisted for the number of cells specified in the LCD Count Threshold register. When LCD is logic zero,

no OCD has persisted for the number of cells specified in the LCD Count Threshold register. The cell time period can be varied by using the LCD[7:0] register bits in the RXCP_50 LCD Count Threshold register.

OOCDV:

The OOCDV bit indicates the cell delineation state. When OOCDV is high, the cell delineation state machine is in the 'HUNT' or 'PRESYNC' states and is hunting for the cell boundaries. When OOCDV is low, the cell delineation state machine is in the 'SYNC' state and cells are passed through the receive FIFO.

Register 0x65: RXCP_50 LCD Count Threshold (MSB)

Bit	Type	Function	Default
Bit 7		Unused	X
Bit 6		Unused	X
Bit 5		Unused	X
Bit 4		Unused	X
Bit 3		Unused	X
Bit 2	R/W	LCDC[10]	0
Bit 1	R/W	LCDC[9]	0
Bit 0	R/W	LCDC[8]	1

Register 0x66: RXCP_50 LCD Count Threshold (LSB)

Bit	Type	Function	Default
Bit 7	R/W	LCDC[7]	0
Bit 6	R/W	LCDC[6]	1
Bit 5	R/W	LCDC[5]	1
Bit 4	R/W	LCDC[4]	0
Bit 3	R/W	LCDC[3]	1
Bit 2	R/W	LCDC[2]	0
Bit 1	R/W	LCDC[1]	0
Bit 0	R/W	LCDC[0]	0

LCDC[10:0]:

The LCDC[10:0] bits represent the number of consecutive cell periods the receive cell processor must be out of cell delineation before loss of cell delineation (LCD) is declared. Likewise, LCD is not de-asserted until receive cell processor is in cell delineation for the number of cell periods specified by LCDC[10:0].

The default value of LCD[10:0] is 360, which translates to an average cell period of 2.83 μ s and a default LCD integration period of 1.02 ms.

Register 0x67: RXCP_50 Idle Cell Header Pattern

Bit	Type	Function	Default
Bit 7	R/W	GFC[3]	0
Bit 6	R/W	GFC[2]	0
Bit 5	R/W	GFC[1]	0
Bit 4	R/W	GFC[0]	0
Bit 3	R/W	PTI[3]	0
Bit 2	R/W	PTI[2]	0
Bit 1	R/W	PTI[1]	0
Bit 0	R/W	CLP	1

GFC[3:0]:

The GFC[3:0] bits contain the pattern to match in the first, second, third, and fourth bits of the first octet of the 53-octet cell, in conjunction with the Idle Cell Header Mask Register. The IDLEPASS bit in the Configuration 2 Register must be set to logic zero to enable dropping of cells matching this pattern. Note that an all-zeros pattern must be present in the VPI and VCI fields of the idle or unassigned cell.

PTI[2:0]:

The PTI[2:0] bits contain the pattern to match in the fifth, sixth, and seventh bits of the fourth octet of the 53-octet cell, in conjunction with the Idle Cell Header Mask Register. The IDLEPASS bit in the Configuration 2 Register must be set to logic zero to enable dropping of cells matching this pattern.

CLP:

The CLP bit contains the pattern to match in the eighth bit of the fourth octet of the 53-octet cell, in conjunction with the Match Header Mask Register. The IDLEPASS bit in the RXCP_50 Configuration 2 Register must be set to logic zero to enable dropping of cells matching this pattern.

Register 0x68: RXCP_50 Idle Cell Header Mask

Bit	Type	Function	Default
Bit 7	R/W	MGFC[3]	1
Bit 6	R/W	MGFC[2]	1
Bit 5	R/W	MGFC[1]	1
Bit 4	R/W	MGFC[0]	1
Bit 3	R/W	MPTI[2]	1
Bit 2	R/W	MPTI[1]	1
Bit 1	R/W	MPTI[0]	1
Bit 0	R/W	MCLP	1

MGFC[3:0]:

The MGFC[3:0] bits contain the mask pattern for the first, second, third, and fourth bits of the first octet of the 53-octet cell. This mask is applied to the Idle Cell Header Pattern Register to select the bits included in the cell filter. A logic one in any bit position enables the corresponding bit in the pattern register to be compared. A logic zero causes the masking of the corresponding bit.

MPTI[3:0]:

The MPTI[3:0] bits contain the mask pattern for the fifth, sixth, and seventh bits of the fourth octet of the 53-octet cell. This mask is applied to the Idle Cell Header Pattern Register to select the bits included in the cell filter. A logic one in any bit position enables the corresponding bit in the pattern register to be compared. A logic zero causes the masking of the corresponding bit.

MCLP:

The CLP bit contains the mask pattern for the eighth bit of the fourth octet of the 53-octet cell. This mask is applied to the Idle Cell Header Pattern Register to select the bits included in the cell filter. A logic one in this bit position enables the MCLP bit in the pattern register to be compared. A logic zero causes the masking of the MCLP bit.

Register 0x69: RXCP_50 Corrected HCS Error Count

Bit	Type	Function	Default
Bit 7	R	CHCS[7]	X
Bit 6	R	CHCS[6]	X
Bit 5	R	CHCS[5]	X
Bit 4	R	CHCS[4]	X
Bit 3	R	CHCS[3]	X
Bit 2	R	CHCS[2]	X
Bit 1	R	CHCS[1]	X
Bit 0	R	CHCS[0]	X

CHCS[7:0]:

The CHCS[7:0] bits indicate the number of corrected HCS error events that occurred during the last accumulation interval. The contents of these registers are valid a maximum of 40 RCLK periods after a transfer is triggered by a write to one of RXCP_50's performance monitor counters or to the S/UNI-TETRA Channel Reset, and Monitoring Update register.

Register 0x6A: RXCP_50 Uncorrected HCS Error Count

Bit	Type	Function	Default
Bit 7	R	UHCS[7]	X
Bit 6	R	UHCS[6]	X
Bit 5	R	UHCS[5]	X
Bit 4	R	UHCS[4]	X
Bit 3	R	UHCS[3]	X
Bit 2	R	UHCS[2]	X
Bit 1	R	UHCS[1]	X
Bit 0	R	UHCS[0]	X

UHCS[7:0]:

The UHCS[7:0] bits indicate the number of uncorrectable HCS error events that occurred during the last accumulation interval. The contents of these registers are valid a maximum of 40 RCLK periods after a transfer is triggered by a write to one of RXCP_50's performance monitor counters or to the S/UNI-TETRA Channel Reset and Monitoring Update register.

Register 0x6B: RXCP_50 Receive Cell Counter (LSB)

Bit	Type	Function	Default
Bit 7	R	RCELL[7]	X
Bit 6	R	RCELL[6]	X
Bit 5	R	RCELL[5]	X
Bit 4	R	RCELL[4]	X
Bit 3	R	RCELL[3]	X
Bit 2	R	RCELL[2]	X
Bit 1	R	RCELL[1]	X
Bit 0	R	RCELL[0]	X

Register 0x6C: RXCP_50 Receive Cell Counter

Bit	Type	Function	Default
Bit 7	R	RCELL[15]	X
Bit 6	R	RCELL[14]	X
Bit 5	R	RCELL[13]	X
Bit 4	R	RCELL[12]	X
Bit 3	R	RCELL[11]	X
Bit 2	R	RCELL[10]	X
Bit 1	R	RCELL[9]	X
Bit 0	R	RCELL[8]	X

Register 0x6D: RXCP_50 Receive Cell Counter (MSB)

Bit	Type	Function	Default
Bit 7		Unused	X
Bit 6		Unused	X
Bit 5		Unused	X
Bit 4		Unused	X
Bit 3		Unused	X
Bit 2	R	RCELL[18]	X
Bit 1	R	RCELL[17]	X
Bit 0	R	RCELL[16]	X

RCELL[20:0]:

The RCELL[18:0] bits indicate the number of cells received and written into the receive FIFO during the last accumulation interval. Cells received and filtered due to HCS errors or Idle cell matches are not counted. The counter should be polled every second to avoid saturation. The contents of these registers are valid a maximum of 67 RCLK periods after a transfer is triggered

by a write to one of RXCP_50's performance monitor counters or to the S/UNI-TETRA Channel Reset and Monitoring Update register.

Register 0x6E: RXCP_50 Idle Cell Counter (LSB)

Bit	Type	Function	Default
Bit 7	R	ICELL[7]	X
Bit 6	R	ICELL[6]	X
Bit 5	R	ICELL[5]	X
Bit 4	R	ICELL[4]	X
Bit 3	R	ICELL[3]	X
Bit 2	R	ICELL[2]	X
Bit 1	R	ICELL[1]	X
Bit 0	R	ICELL[0]	X

Register 0x6F: RXCP_50 Idle Cell Counter

Bit	Type	Function	Default
Bit 7	R	ICELL[15]	X
Bit 6	R	ICELL[14]	X
Bit 5	R	ICELL[13]	X
Bit 4	R	ICELL[12]	X
Bit 3	R	ICELL[11]	X
Bit 2	R	ICELL[10]	X
Bit 1	R	ICELL[9]	X
Bit 0	R	ICELL[8]	X

Register 0x70: RXCP_50 Idle Cell Counter (MSB)

Bit	Type	Function	Default
Bit 7		Unused	X
Bit 6		Unused	X
Bit 5		Unused	X
Bit 4		Unused	X
Bit 3		Unused	X
Bit 2	R	ICELL[18]	X
Bit 1	R	ICELL[17]	X
Bit 0	R	ICELL[16]	X

ICELL[18:0]:

The ICELL[18:0] bits indicate the number of idle cells received during the last accumulation interval. The counter should be polled every second to avoid saturation. The contents of these registers are valid a maximum of 67 RCLK periods after a transfer is triggered by a write to one of RXCP_50's performance monitor counters or to the S/UNI-TETRA's Channel Reset, and Monitoring Update register.

Register 0x80: TXCP_50 Configuration 1

Bit	Type	Function	Default
Bit 7	R/W	TPTYP	0
Bit 6	R/W	TCALEVEL0	0
Bit 5	R/W	Reserved	0
Bit 4	R/W	Reserved	0
Bit 3	R/W	HCSB	0
Bit 2	R/W	HCSADD	1
Bit 1	R/W	DSCR	0
Bit 0	R/W	FIFORST	0

FIFORST:

The FIFORST bit is used to reset the four cell transmit FIFO. When FIFORST is set to logic zero, the FIFO operates normally. When FIFORST is set to logic one, the FIFO is immediately emptied and ignores writes. The FIFO remains empty and continues to ignore writes until a logic zero is written to FIFORST. Null/unassigned cells are transmitted until a subsequent cell is written to the FIFO.

DSCR:

The DSCR bit controls the scrambling of the cell payload. When DSCR is a logic one, cell payload scrambling is disabled. When DSCR is a logic zero, payload scrambling is enabled.

HCSADD:

The HCSADD bit controls the addition of the coset polynomial, $x^6+x^4+x^2+1$, to the HCS octet prior to insertion in the synchronous payload envelope. When HCSADD is a logic one, the polynomial is added, and the resulting HCS is inserted. When HCSADD is a logic zero, the polynomial is not added, and the unmodified HCS is inserted. HCSADD takes effect unconditionally regardless of whether a null/unassigned cell is being transmitted or whether the HCS octet was read from the FIFO.

HCSB:

The active low HCSB bit enables the internal generation and insertion of the HCS octet into the transmit cell stream. When HCSB is logic zero, the HCS is generated and inserted internally. If HCSB is logic one, then no HCS octet is inserted in the transmit data stream.

TCALEVEL0:

The active high TCA (and DTCA[x]) level 0 bit, TCALEVEL0 determines what output TCA (and DTCA[x]) indicates when it transitions low. When TCALEVEL0 is set to logic one, output TCA (and DTCA[x]) indicates that the transmit FIFO is full and will de-assert after word 24 of the current cell transfer. The FIFO can accept no more writes. When TCALEVEL0 is set to logic zero, output TCA (and DTCA[x]) indicates that the transmit FIFO is near full and will de-assert after word 19 of the current cell transfer.

TPTYP:

The TPTYP bit selects even or odd parity for input TPRTY. When set to logic one, input TPRTY is the even parity bit for the TDAT input bus. When set to logic zero, input TPRTY is the odd parity bit for the TDAT input bus.

Reserved

The reserved bits must be programmed to logic zero for proper operation.

Register 0x81: TXCP_50 Configuration 2

Bit	Type	Function	Default
Bit 7		Unused	X
Bit 6		Unused	X
Bit 5		Unused	X
Bit 4	R/W	TCAINV	0
Bit 3	R/W	FIFODP[1]	0
Bit 2	R/W	FIFODP[0]	0
Bit 1	R/W	DHCS	0
Bit 0	R/W	HCSCTLEB	0

HCSCTLEB:

The active low HCS control enable, HCSCTLEB bit enables the XORing of the HCS Control byte with the generated HCS. When set to logic zero, the HCS Control byte provided in the third word of the 27 word data structure is XORed with the generated HCS. When set to logic one, XORing is disabled and the HCS Control byte is ignored.

DHCS:

The DHCS bit controls the insertion of HCS errors for diagnostic purposes. When DHCS is set to logic one, the HCS octet is inverted prior to insertion in the synchronous payload envelope. DHCS takes effect unconditionally regardless of whether a null/unassigned cell is being transmitted or whether the HCS octet was read from the FIFO. DHCS occurs after any error insertion caused by the Control Byte in the 27-word data structure.

FIFODP[1:0]:

The FIFODP[1:0] bits determine the transmit FIFO cell depth at which TCA and DTCA[x] de-assert. FIFO depth control may be important in systems where the cell latency through the TXCP_50 must be minimized. When the FIFO is filled to the specified depth, the transmit cell available signal, TCA (and DTCA[x]) is asserted. Note that regardless of what fill level FIFODP[1:0] is set to, the transmit cell processor can store 4 complete cells. The selectable FIFO cell depths are shown below:

FIFODP[1]	FIFODP[0]	FIFO DEPTH
0	0	4 cells
0	1	3 cells
1	0	2 cells
1	1	1 cell

TCAINV:

The TCAINV bit inverts the polarity of the TCA (and DTCA[x]) output signal. When TCAINV is a logic one, the polarity of TCA (and DTCA[x]) is inverted (TCA (and DTCA[x]) at logic zero means there is transmit cell space available to be written to). When TCAINV is a logic zero, the polarity of TCA (and DTCA[x]) is not inverted.

Register 0x82: TXCP_50 Cell Count Status/Configuration Options

Bit	Type	Function	Default
Bit 7	R/W	XFERE	0
Bit 6	R	XFERI	X
Bit 5	R	OVR	X
Bit 4		Unused	X
Bit 3	R/W	Reserved	1
Bit 2	R/W	H4INSB	0
Bit 1	R/W	Reserved	0
Bit 0	R/W	Reserved	0

H4INSB:

The active low H4 insert enable, H4INSB, determines the contents of the H4 byte in the outgoing path overhead. If H4INSB is set to logic one, the H4 byte is set to the value of 00 hexadecimal. If H4INSB is set to logic zero, the H4 byte is set to the cell indicator offset value.

XFERI:

The XFERI bit indicates that a transfer of Transmit Cell Count data has occurred. A logic one in this bit position indicates that the Transmit Cell Count registers have been updated. This update is initiated by writing to one of the Transmit Cell Count register locations or to the S/UNI-TETRA Identification, Master Reset, and Global Monitor Update register. XFERI is set to logic zero when this register is read.

OVR:

The OVR bit is the overrun status of the Transmit Cell Count registers. A logic one in this bit position indicates that a previous transfer (indicated by XFERI being logic one) has not been acknowledged before the next accumulation interval has occurred and that the contents of the Transmit Cell Count registers have been overwritten. OVR is set to logic zero when this register is read.

XFERE:

The XFERE bit enables the generation of an interrupt when an accumulation interval is completed and new values are stored in the Transmit Cell Count registers. When XFERE is set to logic one, the interrupt is enabled.

Reserved:

These bits should be set to their default values for proper operation

Register 0x83: TXCP_50 Interrupt Enable/Status

Bit	Type	Function	Default
Bit 7	R/W	TPRTYE	0
Bit 6	R/W	FOVRE	0
Bit 5	R/W	TSOCE	0
Bit 4		Unused	X
Bit 3		Unused	X
Bit 2	R	TPRTYI	X
Bit 1	R	FOVRI	X
Bit 0	R	TSOCI	X

TSOCI:

The TSOCI bit is set high when the TSOC input is sampled high during any position other than the first word of the selected data structure. The write address counter is reset to the first word of the data structure when TSOC is sampled high. This bit is reset immediately after a read to this register.

FOVRI:

The FOVRI bit is set high when an attempt is made to write into the FIFO when it is already full. This bit is reset immediately after a read to this register.

TPRTYI:

The TPRTYI bit indicates if a parity error was detected on the TDAT input bus. When logic one, the TPRTYI bit indicates a parity error over the active TDAT bus. This bit is cleared when this register is read. Odd or even parity is selected using the TPTYPE bit.

TSOCE:

The TSOCE bit enables the generation of an interrupt when the TSOC input is sampled high during any position other than the first word of the selected data structure. When TSOCE is set to logic one, the interrupt is enabled.

FOVRE:

The FOVRE bit enables the generation of an interrupt due to an attempt to write the FIFO when it is already full. When FOVRE is set to logic one, the interrupt is enabled.

TPRTYE:

The TPRTYE bit enables transmit parity interrupts. When set to logic one, parity errors are indicated on INT and TPRTYI. When set to logic zero, parity errors are indicated using bit TPRTYI but are not indicated on output INT.

Register 0x84: TXCP_50 Idle Cell Header Control

Bit	Type	Function	Default
Bit 7	R/W	GFC[3]	0
Bit 6	R/W	GFC[2]	0
Bit 5	R/W	GFC[1]	0
Bit 4	R/W	GFC[0]	0
Bit 3	R/W	PTI[2]	0
Bit 2	R/W	PTI[1]	0
Bit 1	R/W	PTI[0]	0
Bit 0	R/W	CLP	1

CLP:

The CLP bit contains the eighth bit position of the fourth octet of the idle/unassigned cell pattern. Cell rate decoupling is accomplished by transmitting idle cells when the TXCP_50 detects that no outstanding cells exist in the transmit FIFO.

PTI[3:0]:

The PTI[3:0] bits contains the fifth, sixth, and seventh bit positions of the fourth octet of the idle/unassigned cell pattern. Idle cells are transmitted when the TXCP_50 detects that no outstanding cells exist in the transmit FIFO.

GFC[3:0]:

The GFC[3:0] bits contain the first, second, third, and fourth bit positions of the first octet of the idle/unassigned cell pattern. Idle/unassigned cells are transmitted when the TXCP_50 detects that no outstanding cells exist in the transmit FIFO. The all zeros pattern is transmitted in the VCI and VPI fields of the idle cell.

Register 0x85: TXCP_50 Idle Cell Payload Control

Bit	Type	Function	Default
Bit 7	R/W	PAYLD[7]	0
Bit 6	R/W	PAYLD[6]	1
Bit 5	R/W	PAYLD[5]	1
Bit 4	R/W	PAYLD[4]	0
Bit 3	R/W	PAYLD[3]	1
Bit 2	R/W	PAYLD[2]	0
Bit 1	R/W	PAYLD[1]	1
Bit 0	R/W	PAYLD[0]	0

PAYLD[7:0]:

The PAYLD[7:0] bits contain the pattern inserted in the idle cell payload. Idle cells are inserted when the TXCP_50 detects that the transmit FIFO contains no outstanding cells. PAYLD[7] is the most significant bit and is the first bit transmitted. PAYLD[0] is the least significant bit.

Register 0x86: TXCP_50 Transmit Cell Count (LSB)

Bit	Type	Function	Default
Bit 7	R	TCELL[7]	X
Bit 6	R	TCELL[6]	X
Bit 5	R	TCELL[5]	X
Bit 4	R	TCELL[4]	X
Bit 3	R	TCELL[3]	X
Bit 2	R	TCELL[2]	X
Bit 1	R	TCELL[1]	X
Bit 0	R	TCELL[0]	X

Register 0x87: TXCP_50 Transmit Cell Count

Bit	Type	Function	Default
Bit 7	R	TCELL[15]	X
Bit 6	R	TCELL[14]	X
Bit 5	R	TCELL[13]	X
Bit 4	R	TCELL[12]	X
Bit 3	R	TCELL[11]	X
Bit 2	R	TCELL[10]	X
Bit 1	R	TCELL[9]	X
Bit 0	R	TCELL[8]	X

Register 0x88: TXCP_50 Transmit Cell Count (MSB)

Bit	Type	Function	Default
Bit 7		Unused	X
Bit 6		Unused	X
Bit 5		Unused	X
Bit 4		Unused	X
Bit 3		Unused	X
Bit 2	R	TCELL[18]	X
Bit 1	R	TCELL[17]	X
Bit 0	R	TCELL[16]	X

TCELL[15:0]:

The TCELL[18:0] bits indicate the number of cells read from the transmit FIFO and inserted into the transmission stream during the last accumulation interval. Idle cells inserted into the transmission stream are not counted.

A write to any one of the TXCP_50 Transmit Cell Counter registers or to the S/UNI-TETRA Channel Reset and Monitoring Update register (Register 0x05)

loads the registers with the current counter value and resets the internal 19 bit counter to 1 or 0. The counter reset value is dependent on if there was a count event during the transfer of the count to the Transmit Cell Counter registers. The counter should be polled every second to avoid saturating. The contents of these registers are valid after a maximum of 5 μ s after a transfer is triggered by a write to a TXCP_50 Transmit Cell count Register or the S/UNI-TETRA Channel Reset and Monitoring Update register (Register 0x05).

Register 0x90: S/UNI-TETRA Channel Auto Line RDI Control

Bit	Type	Function	Default
Bit 7	R/W	SDLRDI	0
Bit 6	R/W	SFLRDI	0
Bit 5	R/W	LOFLRDI	1
Bit 4	R/W	LOSLRDI	1
Bit 3	R/W	RTIMLRDI	0
Bit 2	R/W	RTIULRDI	0
Bit 1	R/W	LAISLRDI	1
Bit 0		Unused	X

This register controls the auto assertion of line RDI in the local TLOP. Since the S/UNI-TETRA provides STS-3c (STM-1/AU4) mappings, this register controls the assertion of line RDI for the entire SONET/SDH stream.

LAISLRDI:

The Line Alarm Indication Signal LRDI (LAISLRDI) controls the insertion of a Line RDI in the transmit data stream upon detection of this alarm condition. When LAISLRDI is set to logic one, the transmit line RDI will be inserted. When LAISLRDI is set to logic zero, no action is taken. This register bit has effect only if the AUTOLRDI register bit is also set to logic one.

RTIULRDI:

The Receive Trace Identifier Unstable LRDI (RTIULRDI) controls the insertion of a Line RDI in the transmit data stream upon detection of this alarm condition. When RTIULRDI is set to logic one, the transmit line RDI will be inserted. When RTIULRDI is set to logic zero, no action is taken. This register bit has effect only if the AUTOLRDI register bit is also set to logic one.

RTIMLRDI:

The Receive Trace Identifier Mismatch LRDI (RTIMLRDI) controls the insertion of a Line RDI in the transmit data stream upon detection of this alarm condition. When RTIMLRDI is set to logic one, the transmit line RDI will be inserted. When RTIMLRDI is set to logic zero, no action is taken. This register bit has effect only if the AUTOLRDI register bit is also set to logic one.

LOSLRDI:

The Loss of Signal LRDI (LOSLRDI) controls the insertion of a Line RDI in the transmit data stream upon detection of this alarm condition. When LOSLRDI is set to logic one, the transmit line RDI will be inserted. When LOSLRDI is

set to logic zero, no action is taken. This register bit has effect only if the AUTOLRDI register bit is also set to logic one.

LOFLRDI:

The Loss of Frame LRDI (LOFLRDI) controls the insertion of a Line RDI in the transmit data stream upon detection of this alarm condition. When LOFLRDI is set to logic one, the transmit line RDI will be inserted. When LOFLRDI is set to logic zero, no action is taken. This register bit has effect only if the AUTOLRDI register bit is also set to logic one.

SFLRDI:

The Signal Fail BER LRDI (SFLRDI) controls the insertion of a Line RDI in the transmit data stream upon detection of this alarm condition. When SFLRDI is set to logic one, the transmit line RDI will be inserted. When SFLRDI is set to logic zero, no action is taken. This register bit has effect only if the AUTOLRDI register bit is also set to logic one.

SDLRDI:

The Signal Degrade BER LRDI (SDLRDI) controls the insertion of a Line RDI in the transmit data stream upon detection of this alarm condition. When SDLRDI is set to logic one, the transmit line RDI will be inserted. When SDLRDI is set to logic zero, no action is taken. This register bit has effect only if the AUTOLRDI register bit is also set to logic one.

Register 0x91: S/UNI-TETRA Channel Auto Path RDI Control

Bit	Type	Function	Default
Bit 7	R/W	LCDPRDI	0
Bit 6	R/W	ALRMPRDI	0
Bit 5	R/W	PAISPRDI	1
Bit 4	R/W	PSLMPRDI	1
Bit 3	R/W	LOPPRDI	1
Bit 2	R/W	LOPCONPRDI	1
Bit 1	R/W	PTIUPRDI	1
Bit 0	R/W	PTIMPRDI	1

This register controls the auto assertion of path RDI (G1 bit 5) in the local TPOP. Since the S/UNI-TETRA provides STS-3c (STM-1/AU4) mappings, this register controls the assertion of path RDI for the entire SONET/SDH stream. See also the S/UNI-TETRA Channel Auto Enhanced Path RDI register.

RTIMPRDI:

The Receive Trace Identifier Mismatch PRDI (RTIMPRDI) controls the insertion of a Path RDI in the transmit data stream upon detection of this alarm condition. When RTIMPRDI is set to logic one, the transmit line RDI will be inserted. When RTIMPRDI is set to logic zero, no action is taken. This register bit has effect only if the AUTOPRDI register bit is also set to logic one.

PTIUPRDI:

The Path Trace Identifier Unstable PRDI (PTIUPRDI) controls the insertion of a Path RDI in the transmit data stream upon detection of this alarm condition. When PTIUPRDI is set to logic one, the transmit line RDI will be inserted. When PTIUPRDI is set to logic zero, no action is taken. This register bit has effect only if the AUTOPRDI register bit is also set to logic one.

LOPCONPRDI:

The Loss of Pointer Concatenation Indication PRDI (LOPCONPRDI) controls the insertion of a Path RDI in the transmit data stream upon detection of this alarm condition. When LOPCONPRDI is set to logic one, the transmit line RDI will be inserted. When LOPCONPRDI is set to logic zero, no action is taken. This register bit has effect only if the AUTOPRDI register bit is also set to logic one.

LOPPRDI:

The Loss of Pointer PRDI (LOPPRDI) controls the insertion of a Path RDI in the transmit data stream upon detection of this alarm condition. When LOPPRDI is set to logic one, the transmit line RDI will be inserted. When LOPPRDI is set to logic zero, no action is taken. This register bit has effect only if the AUTOPRDI register bit is also set to logic one.

PSLMPRDI:

The Path Signal Label Mismatch PRDI (PSLMPRDI) controls the insertion of a Path RDI in the transmit data stream upon detection of this alarm condition. When PSLMPRDI is set to logic one, the transmit line RDI will be inserted. When PSLMPRDI is set to logic zero, no action is taken. This register bit has effect only if the AUTOPRDI register bit is also set to logic one.

PAISPRDI:

The Path Alarm Indication Signal PRDI (PAISPRDI) controls the insertion of a Path RDI in the transmit data stream upon detection of this alarm condition. When PAISPRDI is set to logic one, the transmit line RDI will be inserted. When PAISPRDI is set to logic zero, no action is taken. This register bit has effect only if the AUTOPRDI register bit is also set to logic one.

ALRMPRDI:

The Line Alarm Indication Signal PRDI (ALRMPRDI) controls the insertion of a Path RDI in the transmit data stream upon detection of one of the following alarm conditions: Loss of Signal (LOS), Loss of Frame (LOF) and Line Alarm Indication Signal (LAIS). When ALRMPRDI is set to logic one, the transmit line RDI will be inserted. When ALRMPRDI is set to logic zero, no action is taken. This register bit has effect only if the AUTOPRDI register bit is also set to logic one.

LCDPRDI

The Loss of ATM Cell Delineation Signal PRDI (LCDPRDI) controls the insertion of Path RDI in the transmit data stream upon detection of this alarm. When LCDPRDI is set to logic one, the transmit line RDI will be inserted. When LCDPRDI is set to logic zero, no action is taken. This register bit is used only if the AUTOPRDI register bit is also set to logic one.

Register 0x92: S/UNI-TETRA Channel Auto Enhanced Path RDI Control

Bit	Type	Function	Default
Bit 7	R/W	LCDEPRDI	0
Bit 6	R/W	ALMEPRDI	0
Bit 5	R/W	PAISEPRDI	0
Bit 4	R/W	PSLMEPRDI	1
Bit 3	R/W	LOPEPRDI	0
Bit 2	R/W	LOPCONEPRDI	0
Bit 1	R/W	TIUEPRDI	0
Bit 0	R/W	TIMEPRDI	1

This register and the S/UNI-TETRA Channel Auto Path RDI Control register controls the auto assertion of enhanced path RDI (G1 bits 5,6,7) in the local TPOP. Since the S/UNI-TETRA provides a STS-3c (STM-1) mapping, this register with its companion register controls auto enhanced path RDI assertion on the entire transmit stream.

TIMEPRDI:

When set high, the TIMEPRDI bit enables enhanced path RDI assertion when path trace message mismatch (TIM) events are detected in the receive stream. If enabled, when the event occurs, bit 6 of the G1 bytes set high while bit 7 of the G1 byte is set low.

When TIMEPRDI is set low, trace identifier mismatch events have no effect on path RDI. In addition, this bit has no effect when EPRDI_EN is set low.

TIUEPRDI:

When set high, the TIUEPRDI bit enables enhanced path RDI assertion when path trace message unstable events are detected in the receive stream. If enabled, when the event occurs, bit 6 of the G1 byte is set high while bit 7 of the G1 byte is set low.

When TIUEPRDI is set low, trace identifier unstable events have no effect on path RDI. In addition, this bit has no effect when EPRDI_EN is set low.

LOPCONEPRDI:

When set high, the LOPCONEPRDI bit enables enhanced path RDI assertion when loss of pointer concatenation (LOPCON) events are detected in the receive stream. If enabled, when the event occurs, bit 6 of the G1 byte is set low while bit 7 of the G1 byte is set high. LOPCONEPRDI has precedence over PSLMERDI, TIUEPRDI, TIMEPRDI and UNEQERDI.

When LOPCONEPRDI is set low, reporting of enhanced RDI is according to PSLMERDI, TIUEPRDI, TIMEPRDI and UNEQERDI and the associated alarm states.

LOPEPRDI:

When set high, the LOPEPRDI bit enables enhanced path RDI assertion when loss of pointer (LOP) events are detected in the receive stream. If enabled, when the event occurs, bit 6 of the G1 byte is set low while bit 7 of the G1 byte is set high. LOPEPRDI has precedence over PSLMERDI, TIUEPRDI, TIMEPRDI and UNEQERDI.

When LOPEPRDI is set low, reporting of enhanced RDI is according to PSLMERDI, TIUEPRDI, TIMEPRDI and UNEQERDI and the associated alarm states.

PSLMEPRDI:

When set high, the PSLMEPRDI bit enables enhanced path RDI assertion when path signal label mismatch (PSLM) events are detected in the receive stream. If enabled, when the event occurs, bit 6 of the G1 byte is set high while bit 7 of the G1 byte is set low.

When PSLMEPRDI is set low, path signal label mismatch events have no effect on path RDI. In addition, this bit has no effect when EPRDI_EN is set low.

PAISEPRDI:

When set high, the PAISEPRDI bit enables enhanced path RDI assertion when the path alarm indication signal state (PAIS) is detected in the receive stream. If enabled, when the event occurs, bit 6 of the G1 byte is set low while bit 7 of the G1 byte is set high. PAISEPRDI has precedence over PSLMERDI, TIUEPRDI, TIMEPRDI and UNEQERDI.

When PAISEPRDI is set low, reporting of enhanced RDI is according to PSLMERDI, TIUEPRDI, TIMEPRDI and UNEQERDI and the associated alarm states.

ALMEPRDI:

When set high, the ALMEPRDI bit enables enhanced path RDI assertion when loss of signal (LOS), loss of frame (LOF) or line alarm indication signal (LAIS) events are detected in the receive stream. If enabled, when these events occurs, bit 6 of the G1 byte is set low while bit 7 of the G1 byte is set high. ALMEPRDI has precedence over PSLMERDI, TIUEPRDI, TIMEPRDI and UNEQERDI.

When ALMEPRDI is set low, reporting of enhanced RDI is according to PSLMERDI, TIUEPRDI, TIMEPRDI and UNEQERDI and the associated alarm states.

LCDEPRDI:

When set high, the LCDEPRDI bit enables enhanced path RDI assertion when loss of cell delineation (LCD) events are detected in the receive stream. If enabled, when the event occurs, bit 6 of the G1 byte is set high while bit 7 of the G1 byte is set low.

When LCDEPRDI is set low, loss of ATM cell delineation has no effect on path RDI. In addition, this bit has no effect when EPRDI_EN is set low.

Register 0x93: S/UNI-TETRA Channel Receive RDI and Enhanced RDI Control Extensions

Bit	Type	Function	Default
Bit 7	R/W	PAISCONPRDI	0
Bit 6	R/W	PAISCONPRDI	0
Bit 5		Unused	X
Bit 4		Unused	X
Bit 3		Unused	X
Bit 2	W	EPRDI_EN	0
Bit 1	R/W	UNEQPRDI	1
Bit 0	R/W	UNEQEPRDI	1

This register along with the S/UNI-TETRA Channel Path RDI Control register controls the auto assertion of path RDI on the TPOP transmit stream. This register along with the S/UNI-TETRA Channel Enhanced Path RDI Control register controls the auto assertion of enhanced path RDI on the TPOP transmit stream.

Since the S/UNI-TETRA provides STS-3c (STM-1) mapping, this register controls the entire SONET/SDH stream.

UNEQEPRDI:

When set high, the UNEQEPRDI bit enables enhanced path RDI assertion when the path signal label in the receive stream indicates unequipped status. If enabled, when the event occurs, bit 6 of the G1 byte is set high while bit 7 of the G1 byte is set low.

When UNEQEPRDI is set low, path signal label unequipped status has no effect on enhanced path RDI.

UNEQPRDI:

When set high, the UNEQPRDI bit enables path RDI assertion when the path signal label in the receive stream indicates unequipped status. When UNEQPRDI is set low, the path signal label unequipped status has no effect on path RDI.

EPRDI_EN:

The EPRDI_EN bit enables the automatic insertion of enhanced RDI in the local transmitter. When EPRDI_EN is a logic one, auto insertion is enabled using the event enable bits in this register. When EPRDI_EN is a logic zero, enhanced path RDI is not automatically inserted in the transmit stream.

PAISCONPRDI:

When set high, the PAISCONPRDI bit enables enhanced path RDI assertion when path AIS concatenation (PAISCON) events are detected in the receive stream. If enabled, when the event occurs, bit 6 of the G1 byte is set low while bit 7 of the G1 byte is set high. PAISCONPRDI has precedence over PSLMERDI, TIUEPRDI, TIMEPRDI and UNEQERDI.

When PAISCONPRDI is set low, reporting of enhanced RDI is according to PSLMERDI, TIUEPRDI, TIMEPRDI and UNEQERDI and the associated alarm states.

PAISCONPRDI:

When set high, the PAISCONPRDI bit enables path RDI assertion when path AIS concatenation (PAISCON) events are detected in the receive stream. When PAISCONPRDI is set low, path AIS concatenation events have no effect on path RDI.

Register 0x94: S/UNI-TETRA Channel Receive Line AIS Control

Bit	Type	Function	Default
Bit 7	R/W	SDINS	0
Bit 6	R/W	SFINS	0
Bit 5	R/W	LOFINS	1
Bit 4	R/W	LOSINS	1
Bit 3	R/W	RTIMINS	0
Bit 2	R/W	RTIUINS	0
Bit 1		Unused	X
Bit 0	R/W	DCCAIS	0

DCCAIS:

The DCCAIS bit enables the insertion of all ones in the section DCC (RSD) and the line DCC (RLD) on certain alarm conditions. When DCCAIS is a logic one, all ones is inserted in RSD when LOS or LOF is declared and all ones is inserted in RLD when LOS, LOF or LAIS is declared. When DCCAIS is logic zero, RSD and RLD are not altered.

RTIUINS:

The RTIUINS bit enables the insertion of line AIS in the receive direction upon the declaration of section trace unstable. If RTIUINS is a logic one, line AIS is inserted into the SONET/SDH frame when the current received section trace identifier message has not matched the previous message for eight consecutive messages. Line AIS is terminated when the current message becomes the accepted message.

RTIMINS:

The RTIMINS bit enables the insertion of line AIS in the receive direction upon the declaration of section trace mismatch. If RTIMINS is a logic one, line AIS is inserted into the SONET/SDH frame when the accepted identifier message differs from the expected message. Line AIS is terminated when the accepted message matches the expected message.

LOSINS:

The LOSINS bit enables the insertion of line AIS in the receive direction upon the declaration of loss of signal (LOS). If LOSINS is a logic one, line AIS is inserted into the SONET/SDH frame when LOS is declared. Line AIS is terminated when LOS is removed.

LOFINS:

The LOFINS bit enables the insertion of line AIS in the receive direction upon the declaration of loss of frame (LOF). If LOSINS is a logic one, line AIS is inserted into the SONET/SDH frame when LOS is declared. Line AIS is terminated when LOS is removed.

SFINS:

The SFINS bit enables the insertion of line AIS in the receive direction upon the declaration of signal fail (SF). If SFINS is a logic one, line AIS is inserted into the SONET/SDH frame when SF is declared. Line AIS is terminated when SF is removed.

SDINS:

The SDINS bit enables the insertion of line AIS in the receive direction upon the declaration of signal degrade (SD). If SDINS is a logic one, line AIS is inserted into the SONET/SDH frame when SD is declared. Line AIS is terminated when SD is removed.

Register 0x95: S/UNI-TETRA Channel Receive Path AIS Control

Bit	Type	Function	Default
Bit 7	R/W	PAISCONPAIS	1
Bit 6	R/W	LOPCONPAIS	1
Bit 5	R/W	PSLUPAIS	1
Bit 4	R/W	PSLMPAIS	1
Bit 3	R/W	LOPPAIS	1
Bit 2	R/W	PAISPAIS	1
Bit 1	R/W	TIUPAIS	1
Bit 0	R/W	TIMPAIS	1

This register controls the auto assertion of path AIS on the receive side of the system interface. In ATM mode, path AIS forces a loss of cell delineation. In POS mode, path AIS forces the insertion of data flags (7E) in the data stream.

TIMPAIS:

When set high, the TIMPAIS bit enables path AIS insertion on the receive side of the system interface when path trace message mismatch (TIM) events are detected in the receive stream. When TIMPAIS is set low, trace identifier mismatch events will not assert path AIS.

TIUPAIS:

When set high, the TIUPAIS bit enables path AIS insertion when path trace message unstable events are detected in the receive stream. When TIUPAIS is set low, trace identifier unstable events will not assert path AIS.

PAISPAIS:

When set high, the PAISPAIS bit enables path AIS insertion when path AIS events are detected in the receive stream. When PAISPAIS is set low, path AIS events will not assert path AIS.

LOPPAIS:

When set high, the LOPPAIS bit enables path AIS insertion when loss of pointer (LOP) events are detected in the receive stream. When LOPPAIS is set low, loss of pointer events will not assert path AIS.

PSLMPAIS:

When set high, the PSLMPAIS bit enables path AIS insertion when path signal label mismatch (PSLM) events are detected in the receive stream.

When PSLMPAIS is set low, path signal label mismatch events will not assert path AIS.

PSLUPAIS:

When set high, the PSLUPAIS bit enables path AIS insertion when path signal label unstable (PSLU) events are detected in the receive stream. When PSLUPAIS is set low, path signal label unstable events will not assert path AIS.

LOPCONPAIS:

When set high, the LOPCONPAIS bit enables path AIS insertion when loss of pointer concatenation (LOPCON) events are detected in the receive stream. When LOPCONPAIS is set low, loss of pointer concatenation events will not assert path AIS.

PAISCONPAIS:

When set high, the PAISCONPAIS bit enables path AIS insertion when Path AIS concatenation (PAISCON) events are detected in the receive stream. When PAISCONPAIS is set low, Path AIS concatenation events will not assert path AIS.

Register 0x96: S/UNI-TETRA Channel Receive Alarm Control #1

Bit	Type	Function	Default
Bit 7		Unused	X
Bit 6	R/W	PTIMEN	0
Bit 5	R/W	PSLMEN	0
Bit 4	R/W	PERDIEN	0
Bit 3	R/W	PRDIEN	0
Bit 2	R/W	PAISEN	0
Bit 1	R/W	LCDEN	0
Bit 0	R/W	LOPEN	0

Register 0x97: S/UNI-TETRA Channel Receive Alarm Control #2

Bit	Type	Function	Default
Bit 7		Unused	X
Bit 6	R/W	SFBEREN	0
Bit 5	R/W	SDBEREN	0
Bit 4	R/W	LRDIEN	0
Bit 3	R/W	LAISEN	0
Bit 2	R/W	OOFEN	0
Bit 1	R/W	LOFEN	0
Bit 0	R/W	LOSEN	0

LOSEN, LOFEN, OOFEN, LAISEN, LRDIEN, SDBEREN, SFBEREN, LOPEN, LCDEN, PAISEN, PRDIEN, PERDIEN, PSLMEN, PTIMEN:

The above enable bits allow the corresponding alarm indications to be reported (Ored) into the RALRM output. When the enable bit is high, the corresponding alarm indication is combined with other alarm indications and output on RALRM. When the enable bit is low, the corresponding alarm indication does not affect the RALRM output.

Alarm	Description
LOS	Loss of signal
LOF	Loss of frame
OOF	Out of Frame
LAIS	Line Alarm Indication Signal
LRDI	Line Remote Defect Indication
SDBER	Signal Degrade Bit Error Rate
SFBER	Signal Fail Bit Error Rate
LOP	Loss of Pointer
LCD	Loss of cell delineation
PAIS	Path Alarm Indication Signal
PRDI	Path Remote Defect Indication
PERDI	Path Enhanced Remote Defect Indication
PSLM	Path Signal Label Mismatch
PTIM	Path Trace Identifier Mismatch

Register 0xA0: RXFP Configuration

Bit	Type	Function	Default
Bit 7	R/W	RXOTYP	0
Bit 6	R/W	FCSPASS	0
Bit 5	R/W	RPAINV	0
Bit 4	R/W	FCSSEL[1]	1
Bit 3	R/W	FCSSEL[0]	0
Bit 2	R/W	RXPTYP	0
Bit 1	R/W	DDSCR	1
Bit 0	R/W	FIFORST	0

FIFORST:

The FIFORST bit is used to reset the 256-byte receive FIFO. When FIFORST is set to logic zero, the FIFO operates normally. When FIFORST is set to logic one, the FIFO is immediately emptied and ignores writes. The FIFO remains empty and continues to ignore writes until a logic zero is written to FIFORST.

DDSCR:

The DDSCR bit controls the de-scrambling of the frame payload with the polynomial $x^{43} + 1$. When DDSCR is set to logic zero, frame payload de-scrambling is disabled. When DDSCR is set to logic one, payload de-scrambling is enabled.

RXPTYP:

The RXPTYP bit selects even or odd parity for output RPRTY. When set to logic one, output RPRTY is the even parity bit for outputs RDAT[15:0]. When RXPTYP is set to logic zero, RPRTY is the odd parity bit for outputs RDAT[15:0].

FCSSEL[1:0]:

The Frame Control Sequence select (FCSSEL[1:0]) bits allow to control the FCS calculation according to the table below. The FCS is calculated over the whole packet data, after byte destuffing and de-scrambling.

FCSSEL[1:0]	FCS Operation
00	No FCS calculated
01	CRC-CCITT (2 bytes)

10	CRC-32 (4 bytes)
11	Reserved

RPAINV:

The RPAINV bit inverts the polarity of the RPA output signal. When RPAINV is a logic one, the polarity of RPA is inverted (RPA at logic zero means there is data available to be read). When RPAINV is a logic zero, the polarity of RPA is not inverted.

FCSPASS:

The FCSPASS allow to determine if the FCS field will be passed through the system interface or stripped. When FCSPASS is set to logic one, the POS frame FCS field is written into the FIFO as part of the packet, and can thus be read through the system interface. When FCSPASS is set to logic zero, the FCS field is stripped from the POS frame.

RXOTYP:

The RXOTYP determines if the RXOFF input to the RXFP (this signal is driven according to register 0x95 so the Rx datastream is killed under a drop path AIS condition) will stop a packet by simply inserting HDLC flag characters or will insert an abort sequence followed by flags. When RXOTYP is set to logic zero, the abort sequence is inserted generating a user abort error. When the RXOTYP is set to logic one, the frame processor performs a simple flag insertion and thus the packet will be flagged as a FCS error.

Register 0xA1: RXFP Configuration/Interrupt Enables

Bit	Type	Function	Default
Bit 7		Unused	X
Bit 6		Unused	X
Bit 5	R/W	MINLE	0
Bit 4	R/W	MAXLE	0
Bit 3	R/W	ABRTE	0
Bit 2	R/W	FCSE	0
Bit 1	R/W	FOVRE	0
Bit 0	R/W	Reserved	0

FOVRE:

The FOVRE bit enables the generation of an interrupt due to a FIFO overrun error condition. When FOVRE is set to logic one, the interrupt is enabled.

FCSE:

The FCSE bit enables the generation of an interrupt due to the detection of an FCS error. When FCSE is set to logic one, the interrupt is enabled.

ABRTE:

The Abort Packet Enable bit enables the generation of an interrupt due to the reception of an aborted packet. When ABRTE is set to logic one, the interrupt is enabled.

MAXLE:

The Maximum Length Packet Enable bit enables the generation of an interrupt due to the reception of a packet exceeding the programmable maximum packet length. When MAXLE is set to logic one, the interrupt is enabled.

MINLE:

The Minimum Length Packet Enable bit enables the generation of an interrupt due to the reception of a packet that is smaller than the programmable minimum packet length. When MINLE is set to logic one, the interrupt is enabled.

Register 0xA2: RXFP Interrupt Status

Bit	Type	Function	Default
Bit 7		Unused	X
Bit 6		Unused	X
Bit 5	R	MINLI	X
Bit 4	R	MAXLI	X
Bit 3	R	ABRTI	X
Bit 2	R	FCSI	X
Bit 1	R	FOVRI	X
Bit 0		Unused	X

FOVRI:

The FOVRI bit indicates an interrupt due to a FIFO overrun error condition. This interrupt can be masked using FOVRE.

FCSI:

The FCSI bit indicates an interrupt due to the detection of an FCS error. This interrupt can be masked using FCSE.

ABRTI:

The ABRTI bit indicates bit enables the generation of an interrupt due to the reception of an aborted packet. This interrupt can be masked using ABRTE.

MAXLI:

The MAXLI bit indicates an interrupt due to the reception of a packet exceeding the programmable maximum packet length. This interrupt can be masked using MAXLE.

MINLI:

The MINLI bit indicates an interrupt due to the reception of a packet that is smaller than the programmable minimum packet length. This interrupt can be masked using MINLE.

Register 0xA3: RXFP Minimum Packet Length

Bit	Type	Function	Default
Bit 7	R/W	MINPL[7]	0
Bit 6	R/W	MINPL[6]	0
Bit 5	R/W	MINPL[5]	0
Bit 4	R/W	MINPL[4]	0
Bit 3	R/W	MINPL[3]	0
Bit 2	R/W	MINPL[2]	1
Bit 1	R/W	MINPL[1]	0
Bit 0	R/W	MINPL[0]	0

MINPL[7:0]:

The Minimum Packet Length (MINPL[7:0]) bits are used to set the minimum packet length. Packets smaller than this length are marked with an error. The packet length used here is defined as the number of bytes encapsulated into the POS frame, excluding the FCS and stuffing bytes. The value 0x0000 should not be used.

Register 0xA4: RXFP Maximum Packet Length (LSB)

Bit	Type	Function	Default
Bit 7	R/W	MAXPL[7]	0
Bit 6	R/W	MAXPL[6]	0
Bit 5	R/W	MAXPL[5]	0
Bit 4	R/W	MAXPL[4]	0
Bit 3	R/W	MAXPL[3]	0
Bit 2	R/W	MAXPL[2]	0
Bit 1	R/W	MAXPL[1]	0
Bit 0	R/W	MAXPL[0]	0

Register 0xA5: RXFP Maximum Packet Length (MSB)

Bit	Type	Function	Default
Bit 7	R/W	MAXPL[15]	0
Bit 6	R/W	MAXPL[14]	0
Bit 5	R/W	MAXPL[13]	0
Bit 4	R/W	MAXPL[12]	0
Bit 3	R/W	MAXPL[11]	0
Bit 2	R/W	MAXPL[10]	1
Bit 1	R/W	MAXPL[9]	1
Bit 0	R/W	MAXPL[8]	0

MAXPL[15:0]:

The Maximum Packet Length (MAXPL[15:0]) bits are used to set the maximum packet length. Packets larger than this length are marked with an error by asserting RERR with REOP. These packets will increment the RXFP Receive Byte Counter and the MAXLI interrupt will be set. The packet length used here is defined as the number of bytes encapsulated into the POS frame excluding byte stuffing and the FCS.

The maximum packet length supported by the RXFP is 65534 (0xFFFFE) The values 0x0000, 0x0001 and 0xFFFF shall not be used.

Register 0xA6: RXFP Receive Initiation Level

Bit	Type	Function	Default
Bit 7	R/W	Reserved	1
Bit 6	R/W	Reserved	0
Bit 5	R/W	Reserved	0
Bit 4	R/W	Reserved	0
Bit 3	R/W	RIL[3]	1
Bit 2	R/W	RIL[2]	1
Bit 1	R/W	RIL[1]	0
Bit 0	R/W	RIL[0]	0

RIL[7:0]:

The Reception Initiation Level (RIL[3:0]) bits are used to set the minimum number of bytes that must be available in the FIFO before received packets can be written into it. RIL[R:0] is only used after a FIFO overrun is detected and FIFO writes have been suspended. The FIFO will wait until the number of used bytes is smaller than the RIL. This avoids restarting the reception of data too quickly after an overrun condition. If the system does not cause any FIFO overrun, then this register will not be used. RIL[3:0] breaks the FIFO in 16 sections; for example a value of 0x4 correspond to a FIFO level of 64 bytes. The value of RIL must not be too large in order to prevent repetitive FIFO overruns. The default reception initiation level is 192 octets.

Table 9: Receive Initiation Level Values

RIL[3:0]	FIFO Fill Level	RIL[3:0]	FIFO Fill Level
0000	0	1000	128
0001	16	1001	144
0010	32	1010	160
0011	48	1011	176
0100	64	1100	192
0101	80	1101	208
0110	96	1110	224
0111	112	1111	240

Register 0xA7: RXFP Receive Packet Available High Water Mark

Bit	Type	Function	Default
Bit 7	R/W	RPAHWM[7]	0
Bit 6	R/W	RPAHWM[6]	1
Bit 5	R/W	RPAHWM[5]	0
Bit 4	R/W	RPAHWM[4]	0
Bit 3	R/W	RPAHWM[3]	0
Bit 2	R/W	RPAHWM[2]	0
Bit 1	R/W	RPAHWM[1]	0
Bit 0	R/W	RPAHWM[0]	0

RPAHWM[7:0]:

The Receive FIFO High Water Mark (RPAHWM[7:0]) bits are used to generate the RPA outputs. RPAs are set to logic one when the number of bytes stored in the FIFO exceed RPAHWM[7:0] or when there is at least one end of packet in the FIFO. **The maximum RPAHWM usable value is 0xF0.**

Register 0xA8: RXFP Receive Byte Counter (LSB)

Bit	Type	Function	Default
Bit 7	R	RBYTE[7]	X
Bit 6	R	RBYTE[6]	X
Bit 5	R	RBYTE[5]	X
Bit 4	R	RBYTE[4]	X
Bit 3	R	RBYTE[3]	X
Bit 2	R	RBYTE[2]	X
Bit 1	R	RBYTE[1]	X
Bit 0	R	RBYTE[0]	X

Register 0xA9: RXFP Receive Byte Counter

Bit	Type	Function	Default
Bit 7	R	RBYTE[15]	X
Bit 6	R	RBYTE[14]	X
Bit 5	R	RBYTE[13]	X
Bit 4	R	RBYTE[12]	X
Bit 3	R	RBYTE[11]	X
Bit 2	R	RBYTE[10]	X
Bit 1	R	RBYTE[9]	X
Bit 0	R	RBYTE[8]	X

Register 0xAA: RXFP Receive Byte Counter

Bit	Type	Function	Default
Bit 7	R	RBYTE[23]	X
Bit 6	R	RBYTE[22]	X
Bit 5	R	RBYTE[21]	X
Bit 4	R	RBYTE[20]	X
Bit 3	R	RBYTE[19]	X
Bit 2	R	RBYTE[18]	X
Bit 1	R	RBYTE[17]	X
Bit 0	R	RBYTE[16]	X

Register 0xAB: RXFP Receive Byte Counter (MSB)

Bit	Type	Function	Default
Bit 7	R	RBYTE[31]	X
Bit 6	R	RBYTE[30]	X
Bit 5	R	RBYTE[29]	X
Bit 4	R	RBYTE[28]	X
Bit 3	R	RBYTE[27]	X
Bit 2	R	RBYTE[26]	X
Bit 1	R	RBYTE[25]	X
Bit 0	R	RBYTE[24]	X

RBYTE[31:0]:

The RBYTE[31:0] bits indicate the number of received bytes written into the receive FIFO during the last accumulation interval. This counter does not count any byte from errored and aborted frames.

A write to any one of the RXFP-50 Receive Byte Counter registers loads the registers with the current counter value and resets the internal 24 bit counter to 1 or 0. The counter reset value is dependent on if there was a count event during the transfer of the count to the Receive Byte Counter registers. The counter should be polled every second to avoid saturating. The contents of these registers are valid three RCLK cycles after a transfer is triggered by a write to any of the RXFP-50 Receive Frame Count Registers. Using the TIP feature by writing to the Channel Reset and Monitoring Register (Register 0x05) will also update the counters.

Register 0xAC: RXFP Receive Frame Counter (LSB)

Bit	Type	Function	Default
Bit 7	R	RFRAME[7]	X
Bit 6	R	RFRAME[6]	X
Bit 5	R	RFRAME[5]	X
Bit 4	R	RFRAME[4]	X
Bit 3	R	RFRAME[3]	X
Bit 2	R	RFRAME[2]	X
Bit 1	R	RFRAME[1]	X
Bit 0	R	RFRAME[0]	X

Register 0xAD: RXFP Receive Frame Counter

Bit	Type	Function	Default
Bit 7	R	RFRAME[15]	X
Bit 6	R	RFRAME[14]	X
Bit 5	R	RFRAME[13]	X
Bit 4	R	RFRAME[12]	X
Bit 3	R	RFRAME[11]	X
Bit 2	R	RFRAME[10]	X
Bit 1	R	RFRAME[9]	X
Bit 0	R	RFRAME[8]	X

Register 0xAE: RXFP Receive Frame Counter (MSB)

Bit	Type	Function	Default
Bit 7	R	RFRAME[23]	X
Bit 6	R	RFRAME[22]	X
Bit 5	R	RFRAME[21]	X
Bit 4	R	RFRAME[20]	X
Bit 3	R	RFRAME[19]	X
Bit 2	R	RFRAME[18]	X
Bit 1	R	RFRAME[17]	X
Bit 0	R	RFRAME[16]	X

RFRAME[23:0]:

The RFRAME[23:0] bits indicate the number of successfully received POS frames written into the receive FIFO after their extraction from the SONET/SDH stream during the last accumulation interval. This counter does not count any errored and aborted frames.

A write to any one of the RXFP-50 Receive Frame Counter registers loads the registers with the current counter value and resets the internal 24 bit counter to 1 or 0. The counter reset value is dependent on if there was a count event during the transfer of the count to the Receive Frame Counter registers. The counter should be polled every second to avoid saturating. The contents of these registers are valid three RCLK cycles after a transfer is triggered by a write to any of the RXFP-50 Receive Frame Count Registers. Using the TIP feature by writing to the Channel Reset and Monitoring Register (Register 0x05) will also update the counters.

Register 0xAF: RXFP Receive Aborted Frame Counter (LSB)

Bit	Type	Function	Default
Bit 7	R	RABRF[7]	X
Bit 6	R	RABRF[6]	X
Bit 5	R	RABRF[5]	X
Bit 4	R	RABRF[4]	X
Bit 3	R	RABRF[3]	X
Bit 2	R	RABRF[2]	X
Bit 1	R	RABRF[1]	X
Bit 0	R	RABRF[0]	X

Register 0xB0: RXFP Receive Aborted Frame Counter (MSB)

Bit	Type	Function	Default
Bit 7	R	RABRF[15]	X
Bit 6	R	RABRF[14]	X
Bit 5	R	RABRF[13]	X
Bit 4	R	RABRF[12]	X
Bit 3	R	RABRF[11]	X
Bit 2	R	RABRF[10]	X
Bit 1	R	RABRF[9]	X
Bit 0	R	RABRF[8]	X

RABRF[15:0]:

The RABRF[15:0] bits indicate the number of aborted POS frames received and written into the receive FIFO during the last accumulation interval. This count only includes frames terminated with an abort flag. Frames that have a receive error such as length error, FIFO overrun error and FCS error are not included in this count.

A write to any one of the RXFP-50 Receive Aborted Frame Counter registers loads the registers with the current counter value and resets the internal 16 bit counter to 1 or 0. The counter reset value is dependent on if there was a count event during the transfer of the count to these registers. The counter should be polled every second to avoid saturating. The contents of these registers are valid three RCLK cycles after a transfer is triggered. Using the TIP feature by writing to the Channel Reset and Monitoring Register (Register 0x05) will also update the counters.

Register 0xB1: RXFP Receive FCS Error Frame Counter (LSB)

Bit	Type	Function	Default
Bit 7	R	RFCSEF[7]	X
Bit 6	R	RFCSEF[6]	X
Bit 5	R	RFCSEF[5]	X
Bit 4	R	RFCSEF[4]	X
Bit 3	R	RFCSEF[3]	X
Bit 2	R	RFCSEF[2]	X
Bit 1	R	RFCSEF[1]	X
Bit 0	R	RFCSEF[0]	X

Register 0xB2: RXFP Receive FCS Error Frame Counter (MSB)

Bit	Type	Function	Default
Bit 7	R	RFCSEF[15]	X
Bit 6	R	RFCSEF[14]	X
Bit 5	R	RFCSEF[13]	X
Bit 4	R	RFCSEF[12]	X
Bit 3	R	RFCSEF[11]	X
Bit 2	R	RFCSEF[10]	X
Bit 1	R	RFCSEF[9]	X
Bit 0	R	RFCSEF[8]	X

RFCSEF[15:0]:

The RFCSEF[15:0] bits indicate the number of POS frames received with an FCS error and written into the receive FIFO during the last accumulation interval.

A write to any one of the RXFP-50 Receive FCS Error Frame Counter registers loads the registers with the current counter value and resets the internal 16 bit counter to 1 or 0. The counter reset value is dependent on if there was a count event during the transfer of the count to these registers. The counter should be polled every second to avoid saturating. The contents of these registers are valid three RCLK cycles after a transfer is triggered. Using the TIP feature by writing to the Channel Reset and Monitoring Register (Register 0x05) will also update the counters.

Register 0xB3: RXFP Receive Minimum Length Error Frame Counter (LSB)

Bit	Type	Function	Default
Bit 7	R	RMINLF[7]	X
Bit 6	R	RMINLF[6]	X
Bit 5	R	RMINLF[5]	X
Bit 4	R	RMINLF[4]	X
Bit 3	R	RMINLF[3]	X
Bit 2	R	RMINLF[2]	X
Bit 1	R	RMINLF[1]	X
Bit 0	R	RMINLF[0]	X

Register 0xB4: RXFP Receive Minimum Length Error Frame Counter (MSB)

Bit	Type	Function	Default
Bit 7	R	RMINLF[15]	X
Bit 6	R	RMINLF[14]	X
Bit 5	R	RMINLF[13]	X
Bit 4	R	RMINLF[12]	X
Bit 3	R	RMINLF[11]	X
Bit 2	R	RMINLF[10]	X
Bit 1	R	RMINLF[9]	X
Bit 0	R	RMINLF[8]	X

RMINLF[15:0]:

The RMINLF[15:0] bits indicate the number of minimum packet length POS frames received and written into the receive FIFO during the last accumulation interval.

A write to any one of the RXFP-50 Minimum Length Error Frame Counter registers loads the registers with the current counter value and resets the internal 16 bit counter to 1 or 0. The counter reset value is dependent on if there was a count event during the transfer of the count to these registers. The counter should be polled every second to avoid saturating. The contents of these registers are valid three RCLK cycles after a transfer is triggered. Using the TIP feature by writing to the Channel Reset and Monitoring Register (Register 0x05) will also update the counters.

Register 0xB5: RXFP Receive Maximum Length Error Frame Counter (LSB)

Bit	Type	Function	Default
Bit 7	R	RMAXLF[7]	X
Bit 6	R	RMAXLF[6]	X
Bit 5	R	RMAXLF[5]	X
Bit 4	R	RMAXLF[4]	X
Bit 3	R	RMAXLF[3]	X
Bit 2	R	RMAXLF[2]	X
Bit 1	R	RMAXLF[1]	X
Bit 0	R	RMAXLF[0]	X

Register 0xB6: RXFP Receive Maximum Length Error Frame Counter (MSB)

Bit	Type	Function	Default
Bit 7	R	RMAXLF[15]	X
Bit 6	R	RMAXLF[14]	X
Bit 5	R	RMAXLF[13]	X
Bit 4	R	RMAXLF[12]	X
Bit 3	R	RMAXLF[11]	X
Bit 2	R	RMAXLF[10]	X
Bit 1	R	RMAXLF[9]	X
Bit 0	R	RMAXLF[8]	X

RMAXLF[15:0]:

The RMAXLF[15:0] bits indicate the number of POS frames exceeding the maximum packet length that were received and written into the receive FIFO during the last accumulation interval.

A write to any one of the RXFP-50 Receive Maximum Length Error Frame Counter registers loads the registers with the current counter value and resets the internal 16 bit counter to 1 or 0. The counter reset value is dependent on if there was a count event during the transfer of the count to these registers. The counter should be polled every second to avoid saturating. The contents of these registers are valid three RCLK cycles after a transfer is triggered. Using the TIP feature by writing to the Channel Reset and Monitoring Register (Register 0x05) will also update the counters.

Register 0xC0: TXFP Interrupt Enable/Status

Bit	Type	Function	Default
Bit 7	R/W	Reserved	0
Bit 6	R	FIFO_ERR	X
Bit 5	R/W	FUDRE	0
Bit 4	R	FUDRI	X
Bit 3	R/W	FOVRE	0
Bit 2	R	FOVRI	X
Bit 1	R/W	TPRTYE	0
Bit 0	R	TPRTYI	X

TPRTYI:

The TPRTYI bit indicates if a parity error was detected on the TDAT system interface bus. When logic one, the TPRTYI bit indicates a parity error over the TDAT_S bus. This bit is cleared when this register is read. Odd or even parity is selected using the TPTYPE bit.

TPRTYE:

The TPRTYE bit enables transmit parity interrupts. When set to logic one, parity errors are indicated on INT and TPRTYI. When set to logic zero, parity errors are indicated using bit TPRTYI but are not indicated on output INTB.

FOVRI:

The FOVRI bit is set high when an attempt is made to write into the FIFO while it has already been filled-up. This is considered a system error. This bit is reset immediately after a read to this register.

Overruns on the TXFP FIFO do not necessarily produce an aborted packet, just a stunted packet that has no indication of error

FOVRE:

The FOVRE bit enables the generation of an interrupt due to an attempt to write the FIFO when it is already full. When FOVRE is set to logic one, the interrupt is enabled and cause FOVRI and the output INT to be asserted. When set to logic zero, FOVRI will be asserted but not INTB.

FUDRI:

The FUDRI bit is set high when the FIFO underruns while reading packet data from the FIFO. This bit is reset immediately after a read to this register.

FUDRE:

The FUDRE bit enables the generation of an interrupt due to a FIFO underrun. When FUDRE is set to logic one, the interrupt is enabled and

cause FUDRI and the output INTB to be asserted. When set to logic zero, FUDRI will be asserted but not INTB.

FIFO_ERR:

This bit is set to one when an ERROR is detected on the read side of the FIFO. This error can be caused by an abnormal sequence of SOP and EOP. This can normally be caused by a previous FIFO overrun or underrun condition. This bit is reset immediately after a read to this register.

Reserved:

Reserved bits should be set to logic zero for proper operation.

Register 0xC1: TXFP Configuration

Bit	Type	Function	Default
Bit 7	R/W	XOFF	0
Bit 6	R/W	TPAINV	0
Bit 5	R/W	FCSERR	0
Bit 4	R/W	FCSSEL[1]	1
Bit 3	R/W	FCSSEL[0]	0
Bit 2	R/W	TPTYP	0
Bit 1	R/W	DSCR	1
Bit 0	R/W	FIFORST	0

FIFORST:

The FIFORST bit is used to reset the 256-byte transmit FIFO. When FIFORST is set to logic zero, the FIFO operates normally. When FIFORST is set to logic one, the FIFO is emptied of all octets (including the current packet being transmitted) and ignores writes. The FIFO remains empty and continues to ignore writes until a logic zero is written to FIFORST. Flags are transmitted until a subsequent packet is written to the FIFO.

DSCR:

The DSCR bit controls the scrambling of the POS frames. When DSCR is a logic one, scrambling is enabled. When DSCR is a logic zero, payload scrambling is disabled.

TPTYP:

The TPTYP bit selects even or odd parity for input TPRTY. When set to logic one, the TPRTY input must report even parity bit for the TDAT system interface bus. When set to logic zero, input TPRTY must report odd parity bit for the TDAT system interface bus.

FCSSEL[1:0]:

The Frame Control Sequence select (FCSSEL[1:0]) bits allow to control the FCS calculation according to the table below. The FCS is calculated over the whole packet data, before byte stuffing and scrambling.

FCSSEL[1:0]	FCS Operation
00	No FCS inserted
01	CRC-CCITT (2 bytes)
10	CRC-32 (4 bytes)
11	Reserved

FCSERR:

The FCSERR bit controls the insertion of FCS errors for diagnostic purposes. When FCSERR is set to logic one, if FCS insertion is enabled, the FCS octets

are inverted prior to insertion in the POS frame. When FCSERR is set to logic zero, the FCS is inserted normally.

TPAINV:

The TPAINV bit inverts the polarity of the TPA output signals. When TPAINV is a logic one, the polarity of TPA is inverted. When TPAINV is a logic zero, TPA operates normally.

XOFF:

The XOFF serves as a transmission enable bit. When XOFF is set to logic zero, POS frames are transmitted normally. When XOFF is set to logic one, the current frame being transmitted is completed and then POS frame transmission is suspended. When XOFF is asserted the FIFO still accepts data and can overflow. XOFF is provided to facilitate system debugging rather than flow control, which is better achieved using inter packet gapping.

Register 0xC2: TXFP Control

Bit	Type	Function	Default
Bit 7	R/W	IPGAP[3]	0
Bit 6	R/W	IPGAP[2]	0
Bit 5	R/W	IPGAP[1]	1
Bit 4	R/W	IPGAP[0]	0
Bit 3	R/W	TIL[3]	0
Bit 2	R/W	TIL[2]	1
Bit 1	R/W	TIL[1]	0
Bit 0	R/W	TIL[0]	0

TIL[3:0]:

The Transmit Initiation Level (TIL[3:0]) bits are used to determine when to initiate a POS frame transmission. After completing transmission of a packet, data transmission starts only when either there is a complete packet or that the number of bytes stored in the FIFO exceeds the value of TIL[3:0] times 16. TIL[3:0] breaks the FIFO in 16 sections; for example a value of 0x4 correspond to a FIFO level of 64 bytes. The value of TIL must not be too small in order to prevent FIFO underruns when transmitting large packets. TIL must be set lower than the TPALWM for proper operation.

Table 10: Transmit Initiation Level Values

TIL[3:0]	FIFO Fill Level	TIL[3:0]	FIFO Fill Level
0000	0	1000	128
0001	16	1001	144
0010	32	1010	160
0011	48	1011	176
0100	64	1100	192
0101	80	1101	208
0110	96	1110	224
0111	112	1111	240

IPGAP[3:0]:

The Inter Packet Gaping (IPGAP[3:0]) bits are used to program the number of Flag Sequence characters inserted between each POS Frame. The programmed value is encoded as indicated in Table 11.

In the case of a one byte packet when the FCS insertion is disabled, the TXFP might not insert the right number of inter packet flags. Although this is not a functional problem, we are recommending not to send one byte packets.

Table 11: Inter Packet Gaping Values

IPGAP[3:0]	Number of Flag	IPGAP[3:0]	Number of Flag
0000	1	1000	256
0001	2	1001	512
0010	4	1010	1024
0011	8	1011	2048
0100	16	1100	4096
0101	32	1101	8192
0110	64	1110	16384
0111	128	1111	32768

Register 0xC3: TXFP Transmit Packet Available Low Water Mark

Bit	Type	Function	Default
Bit 7	R/W	TPALWM[7]	0
Bit 6	R/W	TPALWM[6]	1
Bit 5	R/W	TPALWM[5]	0
Bit 4	R/W	TPALWM[4]	0
Bit 3	R/W	TPALWM[3]	0
Bit 2	R/W	TPALWM[2]	0
Bit 1	R/W	TPALWM[1]	0
Bit 0	R/W	TPALWM[0]	0

TPALWM[7:0]:

The Transmit FIFO Low Water Mark (TPALWM[7:0]) bits are used to generate the TPA outputs. TPA is set to logic one when the number of bytes stored in the FIFO is lower than TPALWM[7:0]. Together with TPAHWM[7:0], TPALWM[7:0] provides a hysteresis in the setting of TPA.

For proper FIFO operation TPALWM[7:0] must be set to a value greater than zero (0x00 is not a valid value) and it must be smaller than 0xEA and smaller than TPAHWM[7:0].

Register 0xC4: TXFP Transmit Packet Available High Water Mark

Bit	Type	Function	Default
Bit 7	R/W	TPAHWM[7]	1
Bit 6	R/W	TPAHWM[6]	1
Bit 5	R/W	TPAHWM[5]	1
Bit 4	R/W	TPAHWM[4]	1
Bit 3	R/W	TPAHWM[3]	1
Bit 2	R/W	TPAHWM[2]	0
Bit 1	R/W	TPAHWM[1]	0
Bit 0	R/W	TPAHWM[0]	0

TPAHWM[7:0]:

The Transmit FIFO High Water Mark (TPAHWM[7:0]) bits are used to generate the TPA outputs. TPA is set to logic zero when the number of bytes stored in the FIFO exceeds TPAHWM[7:0].

Overruns on the TXFP FIFO can falsely assert. This occurs more frequently with watermarks greater than 0xF8. The TPAHWM value should be set lower than 0xF8 to avoid the problem. This value must be even smaller if the link layer device that interfaces with the S/UNI TETRA samples the TPA value. Thus, a TPAHWM smaller than 0xF2 must be used for a 5 clock cycle latency between the TPA de-assertion and the de-selection of the channel.

For proper operation, the following relation must be verified:
(TIL < TPALWM < TPAHWM).

Register 0xC5: TXFP Transmit Byte Counter (LSB)

Bit	Type	Function	Default
Bit 7	R	TBYTE[7]	X
Bit 6	R	TBYTE[6]	X
Bit 5	R	TBYTE[5]	X
Bit 4	R	TBYTE[4]	X
Bit 3	R	TBYTE[3]	X
Bit 2	R	TBYTE[2]	X
Bit 1	R	TBYTE[1]	X
Bit 0	R	TBYTE[0]	X

Register 0xC6: TXFP Transmit Byte Counter

Bit	Type	Function	Default
Bit 7	R	TBYTE[15]	X
Bit 6	R	TBYTE[14]	X
Bit 5	R	TBYTE[13]	X
Bit 4	R	TBYTE[12]	X
Bit 3	R	TBYTE[11]	X
Bit 2	R	TBYTE[10]	X
Bit 1	R	TBYTE[9]	X
Bit 0	R	TBYTE[8]	X

Register 0xC7: TXFP Transmit Byte Counter

Bit	Type	Function	Default
Bit 7	R	TBYTE[23]	X
Bit 6	R	TBYTE[22]	X
Bit 5	R	TBYTE[21]	X
Bit 4	R	TBYTE[20]	X
Bit 3	R	TBYTE[19]	X
Bit 2	R	TBYTE[18]	X
Bit 1	R	TBYTE[17]	X
Bit 0	R	TBYTE[16]	X

Register 0xC8: TXFP Transmit Byte Counter (MSB)

Bit	Type	Function	Default
Bit 7	R	TBYTE[31]	X
Bit 6	R	TBYTE[30]	X
Bit 5	R	TBYTE[29]	X
Bit 4	R	TBYTE[28]	X
Bit 3	R	TBYTE[27]	X
Bit 2	R	TBYTE[26]	X
Bit 1	R	TBYTE[25]	X
Bit 0	R	TBYTE[24]	X

TBYTE[31:0]:

The TBYTE[31:0] bits indicate the number of bytes read from the transmit FIFO and transmitted during the last accumulation interval. This counter does not count bytes within aborted frames.

A write to any one of the TXFP-50 Transmit Byte Counter registers loads the registers with the current counter value and resets the internal 32 bit counter to 1 or 0. The counter reset value is dependent on if there was a count event during the transfer of the count to the Transmit Byte Counter registers. The counter should be polled every second to avoid saturating. The contents of these registers are valid three TCLK cycles after a transfer is triggered by a write to any of the TXFP-50 Transmit Byte Count Registers. Using the TIP feature by writing to the Channel Reset and Monitoring Register (Register 0x05) will also update the counters.

The TXFP does not increment the Byte Counter (0xC5 to 0xC8) for packets at or larger than 64k. If sending these packets the Byte Counter will remain zeroed and never saturate.

Register 0xC9: TXFP Transmit Frame Counter (LSB)

Bit	Type	Function	Default
Bit 7	R	TFRAME[7]	X
Bit 6	R	TFRAME[6]	X
Bit 5	R	TFRAME[5]	X
Bit 4	R	TFRAME[4]	X
Bit 3	R	TFRAME[3]	X
Bit 2	R	TFRAME[2]	X
Bit 1	R	TFRAME[1]	X
Bit 0	R	TFRAME[0]	X

Register 0xCA: TXFP Transmit Frame Counter

Bit	Type	Function	Default
Bit 7	R	TFRAME[15]	X
Bit 6	R	TFRAME[14]	X
Bit 5	R	TFRAME[13]	X
Bit 4	R	TFRAME[12]	X
Bit 3	R	TFRAME[11]	X
Bit 2	R	TFRAME[10]	X
Bit 1	R	TFRAME[9]	X
Bit 0	R	TFRAME[8]	X

Register 0xCB: TXFP Transmit Frame Counter (MSB)

Bit	Type	Function	Default
Bit 7	R	TFRAME[23]	X
Bit 6	R	TFRAME[22]	X
Bit 5	R	TFRAME[21]	X
Bit 4	R	TFRAME[20]	X
Bit 3	R	TFRAME[19]	X
Bit 2	R	TFRAME[18]	X
Bit 1	R	TFRAME[17]	X
Bit 0	R	TFRAME[16]	X

TFRAME[23:0]:

The TFRAME[23:0] bits indicate the number of POS frames read from the transmit FIFO and inserted into the transmission stream during the last accumulation interval. This counter does not count aborted frames.

A write to any one of the TXFP-50 Transmit Frame Counter registers loads the registers with the current counter value and resets the internal 24 bit counter to 1 or 0. The counter reset value is dependent on if there was a count event during the transfer of the count to the Transmit Frame Counter registers. The counter should be polled every second to avoid saturating. The contents of these registers are valid three TCLK cycles after a transfer is triggered by a write to any of the TXFP-50 Transmit Frame Count Registers. Using the TIP feature by writing to the Channel Reset and Monitoring Register (Register 0x05) will also update the counters.

Register 0xCC: TXFP Transmit User Aborted Frame Counter (LSB)

Bit	Type	Function	Default
Bit 7	R	TUSRABF[7]	X
Bit 6	R	TUSRABF[6]	X
Bit 5	R	TUSRABF[5]	X
Bit 4	R	TUSRABF[4]	X
Bit 3	R	TUSRABF[3]	X
Bit 2	R	TUSRABF[2]	X
Bit 1	R	TUSRABF[1]	X
Bit 0	R	TUSRABF[0]	X

Register 0xCD: TXFP Transmit User Aborted Frame Counter (MSB)

Bit	Type	Function	Default
Bit 7	R	TUSRABF[15]	X
Bit 6	R	TUSRABF[14]	X
Bit 5	R	TUSRABF[13]	X
Bit 4	R	TUSRABF[12]	X
Bit 3	R	TUSRABF[11]	X
Bit 2	R	TUSRABF[10]	X
Bit 1	R	TUSRABF[9]	X
Bit 0	R	TUSRABF[8]	X

TUSRABF[15:0]:

The TUSRABF[15:0] bits indicate the number of user aborted POS frames read from the transmit FIFO and inserted into the transmission stream during the last accumulation interval. User can abort frames by asserting TERR.

A write to any one of the TXFP-50 Transmit User Aborted Frame Counter registers loads the registers with the current counter value and resets the internal 16 bit counter to 1 or 0. The counter reset value is dependent on if there was a count event during the transfer of the count to these registers. The counter should be polled every second to avoid saturating. The contents of these registers are valid three TCLK cycles after a transfer is triggered. Using the TIP feature by writing to the Channel Reset and Monitoring Register (Register 0x05) will also update the counters.

Register 0xCE: TXFP Transmit FIFO Error Aborted Frame Counter (LSB)

Bit	Type	Function	Default
Bit 7	R	TFERABF[7]	X
Bit 6	R	TFERABF[6]	X
Bit 5	R	TFERABF[5]	X
Bit 4	R	TFERABF[4]	X
Bit 3	R	TFERABF[3]	X
Bit 2	R	TFERABF[2]	X
Bit 1	R	TFERABF[1]	X
Bit 0	R	TFERABF[0]	X

Register 0xCF: TXFP Transmit FIFO Error Aborted Frame Counter (MSB)

Bit	Type	Function	Default
Bit 7	R	TFERABF[15]	X
Bit 6	R	TFERABF[14]	X
Bit 5	R	TFERABF[13]	X
Bit 4	R	TFERABF[12]	X
Bit 3	R	TFERABF[11]	X
Bit 2	R	TFERABF[10]	X
Bit 1	R	TFERABF[9]	X
Bit 0	R	TFERABF[8]	X

TFERABF[15:0]:

The TFERABF[15:0] bits indicate the number of FIFO error aborted POS frames read from the transmit FIFO and inserted into the transmission stream during the last accumulation interval. FIFO errors are caused when the FIFO runs empty and the last byte read was not an end of packet or also when the FIFO overruns and corrupts the EOP and SOP sequence. This is considered a system error and should not occur when the system works normally. This counter added to the Transmit User Aborted counter should account for all aborted packets being sent on the line.

A write to any one of the TXFP-50 Transmit FIFO Error Aborted Frame Counter registers loads the registers with the current counter value and resets the internal 16 bit counter to 1 or 0. The counter reset value is dependent on if there was a count event during the transfer of the count to these registers. The counter should be polled every second to avoid saturating. The contents of these registers are valid three TCLK cycles after a transfer is triggered. Using the TIP feature by writing to the Channel Reset and Monitoring Register (Register 0x05) will also update the counters.

Register 0xD0: WANS Configuration

Bit	Type	Function	Default
Bit 7		Reserved	0
Bit 6		Unused	X
Bit 5		Unused	X
Bit 4		Unused	X
Bit 3	R/W	FORCEREAC	0
Bit 2	R/W	AUTOREAC	0
Bit 1	R/W	INTEN	0
Bit 0	R/W	PHACOMPEN	0

PHACOMPEN:

The Phase Comparison Enable (PHACOMPEN) bit is used to enable the phase comparison process. Setting this bit to a logic one will enable the phase comparison process. When set to logic zero, the phase and reference period counters are kept in reset state, further disabling the WANS process.

INTEN:

The Interrupt Enable (INTEN) bit controls the generation of the interrupt signal. When set to logic one, this bit allows the generation of an interrupt signal at the beginning of the Phase Detector averaging period. Setting this bit to logic zero disable the generation of the interrupts.

AUTOREAC:

The Auto Reacquisition Mode Select (AUTOREAC) bit can be used to set the WANS to automatic phase reacquisition mode. When operating in this mode, the WANS will automatically align the phase sampling point toward the middle of the Phase Counter period upon detection of two consecutive phase samples located on each side of the Phase Counter wrap around value. The Phase Word register will keep its previous value tillSetting this bit to logic enables the automatic reacquisition mode.

FORCEREAC:

The Force Phase Reacquisition (FORCEREAC) bit can be used to force a phase reacquisition of the Phase Detector. A logic zero to logic one transition on this bit triggers a phase reacquisition sequence of the Phase Detector. Setting this bit to logic zero allows the Phase detector to operate normally.

Register 0xD1: WANS Interrupt & Status

Bit	Type	Function	Default
Bit 7		Unused	X
Bit 6		Unused	X
Bit 5		Unused	X
Bit 4		Unused	X
Bit 3		Unused	X
Bit 2		Unused	X
Bit 1	R	RPHALGN	X
Bit 0	R	TIMI	X

TIMI:

The Timer Interrupt (TIMI) bit indicates a Timer Interrupt condition. This bit will be raised at the beginning of the Phase Detector averaging period. In addition of indicating the interrupt status, this bit can also be polled to implement synchronization of read access to WANS output register. This interrupt can be masked using the INTEN bit of the configuration register. A read access to the Interrupt & Status Register resets the value of this bit.

RPHALGN:

The Reference Phase Alignment (RPHALNG) bit indicates a Reference Phase Alignment event. In normal operating mode, this bit remains to logic zero. Upon the occurrence of a Reference Phase Alignment, this bit is set to logic one, indicating that the phase averaging process was aborted and that the value of the Phase Word register is frozen to the previous valid value. This bit is reset to logic zero after the completion of a valid phase averaging cycle.

Register 0xD2: WANS Phase Word [7:0]

Bit	Type	Function	Default
Bit 7	R	PHAWORD[7]	X
Bit 6	R	PHAWORD[6]	X
Bit 5	R	PHAWORD[5]	X
Bit 4	R	PHAWORD[4]	X
Bit 3	R	PHAWORD[3]	X
Bit 2	R	PHAWORD[2]	X
Bit 1	R	PHAWORD[1]	X
Bit 0	R	PHAWORD[0]	X

Register 0xD3: WANS Phase Word [15:8]

Bit	Type	Function	Default
Bit 7	R	PHAWORD[15]	X
Bit 6	R	PHAWORD[14]	X
Bit 5	R	PHAWORD[13]	X
Bit 4	R	PHAWORD[12]	X
Bit 3	R	PHAWORD[11]	X
Bit 2	R	PHAWORD[10]	X
Bit 1	R	PHAWORD[9]	X
Bit 0	R	PHAWORD[8]	X

Register 0xD4: WANS Phase Word [23:16]

Bit	Type	Function	Default
Bit 7	R	PHAWORD[23]	X
Bit 6	R	PHAWORD[22]	X
Bit 5	R	PHAWORD[21]	X
Bit 4	R	PHAWORD[20]	X
Bit 3	R	PHAWORD[19]	X
Bit 2	R	PHAWORD[18]	X
Bit 1	R	PHAWORD[17]	X
Bit 0	R	PHAWORD[16]	X

Register 0xD5: WANS Phase Word [30:24]

Bit	Type	Function	Default
Bit 7	R	Unused	
Bit 6	R	PHAWORD[30]	X
Bit 5	R	PHAWORD[29]	X
Bit 4	R	PHAWORD[28]	X
Bit 3	R	PHAWORD[27]	X
Bit 2	R	PHAWORD[26]	X
Bit 1	R	PHAWORD[25]	X
Bit 0	R	PHAWORD[24]	X

PHAWORD[30:0]:

The Phase Word (PHAWORD[30:0]) bits are the output bus of the Phase Detector. This bus outputs the result of the Phase Count Averaging function. Depending on the number of samples included in the averaging, from 0 to 15 of the LSB(s) of the PHAWORD bus may represent the fractional part of the average value while the 16 following bits hold the integer part. This value can be used to externally implement in software the PLL filtering function and bypass the Digital Loop Filter block.

Register 0xD9: WANS Reference Period [7:0]

Bit	Type	Function	Default
Bit 7	R/W	REFPER[7]	0
Bit 6	R/W	REFPER[6]	0
Bit 5	R/W	REFPER[5]	0
Bit 4	R/W	REFPER[4]	0
Bit 3	R/W	REFPER[3]	0
Bit 2	R/W	REFPER[2]	0
Bit 1	R/W	REFPER[1]	0
Bit 0	R/W	REFPER[0]	0

Register 0xDA: WANS Reference Period [15:8]

Bit	Type	Function	Default
Bit 7	R/W	REFPER[15]	0
Bit 6	R/W	REFPER[14]	0
Bit 5	R/W	REFPER[13]	0
Bit 4	R/W	REFPER[12]	0
Bit 3	R/W	REFPER[11]	0
Bit 2	R/W	REFPER[10]	0
Bit 1	R/W	REFPER[9]	0
Bit 0	R/W	REFPER[8]	0

REFPER[15:0]:

The Reference Period REFPER[15:0] bits are used to program the timing reference period of the Phase Detector. These bits are used to set the end of count of the Reference Period Counter. The Reference Period Counter is reset on the next clock cycle following the detection of its end of count. The Reference Period Counter counts (Nref) is equal to the REFPER value plus 1.

Register 0xDB: WANS Phase Counter Period[7:0]

Bit	Type	Function	Default
Bit 7	R/W	PHCNTPER[7]	0
Bit 6	R/W	PHCNTPER[6]	0
Bit 5	R/W	PHCNTPER[5]	0
Bit 4	R/W	PHCNTPER[4]	0
Bit 3	R/W	PHCNTPER[3]	0
Bit 2	R/W	PHCNTPER[2]	0
Bit 1	R/W	PHCNTPER[1]	0
Bit 0	R/W	PHCNTPER[0]	0

Register 0xDC: WANS Phase Counter Period[15:8]

Bit	Type	Function	Default
Bit 7	R/W	PHCNTPER[15]	0
Bit 6	R/W	PHCNTPER[14]	0
Bit 5	R/W	PHCNTPER[13]	0
Bit 4	R/W	PHCNTPER[12]	0
Bit 3	R/W	PHCNTPER[11]	0
Bit 2	R/W	PHCNTPER[10]	0
Bit 1	R/W	PHCNTPER[9]	0
Bit 0	R/W	PHCNTPER[8]	0

PHCNTPER[15:0]:

The Phase Counter Period (PHCNTPER15:0) bits are used to program the Phase Counter period of the Phase Detector. These bits are used to set the end of count of the Phase Counter. The Phase Counter is reset on the next clock cycle following the detection of its end of count. The Phase Counter count (Nphcnt) is equal to the PHCNTPER value plus 1.

For the system to operate properly, Nphcnt need to be greater than 1023.

Register 0xDD: WANS Phase Average Period [3:0]

Bit	Type	Function	Default
Bit 7		Unused	X
Bit 6		Unused	X
Bit 5		Unused	X
Bit 4		Unused	X
Bit 3	R/W	PHAVGPER[3]	0
Bit 2	R/W	PHAVGPER[2]	0
Bit 1	R/W	PHAVGPER[1]	0
Bit 0	R/W	PHAVGPER[0]	0

PHAVGPER[3:0]:

The Phase Average Period (FRACQPER[3:0]) bits are used to set the number of consecutive valid Phase Samples accumulated together to form the Phase Word. The number of samples is expressed as a power of 2, i.e.:

$$N_{fracq} = 2^{\text{exp}(\text{FRACQPER})}$$

The Phase Average Period (AVGPER[3:0]) bits are used to set the number of consecutive valid Phase Samples accumulated together to form the Phase Word. The number of samples is expressed as a power of 2, i.e.:

$$N_{avg} = 2^{\text{exp}(\text{AVGPER})}$$

To avoid abnormal behavior of the WANS, the AVGPER value should be programmed into the WANS prior to enabling the phase comparison process (setting the PHACOMPEN bit to logic 1).

Register 0xE0: RASE Interrupt Enable

Bit	Type	Function	Default
Bit 7	R/W	PSBFE	0
Bit 6	R/W	COAPSE	0
Bit 5	R/W	Z1/S1E	0
Bit 4	R/W	SFBERE	0
Bit 3	R/W	SDBERE	0
Bit 2	R/W	Unused	X
Bit 1	R/W	Unused	X
Bit 0	R/W	Unused	X

SDBERE:

The SDBERE bit is the interrupt enable for the signal degrade threshold alarm. When SDBERE is a logic one, an interrupt is generated when the SD alarm is declared or removed.

SFBERE:

The SFBERE bit is the interrupt enable for the signal fail threshold alarm. When SFBERE is a logic one, an interrupt is generated when the SF alarm is declared or removed.

Z1/S1E:

The Z1/S1 interrupt enable is an interrupt mask for changes in the received synchronization status. When Z1/S1E is a logic one, an interrupt is generated when a new synchronization status message is extracted into the Receive Z1/S1 register.

COAPSE:

The COAPS interrupt enable is an interrupt mask for changes in the received APS code. When COAPSE is a logic one, an interrupt is generated when a new K1/K2 code value is extracted into the RASE Receive K1 and RASE Receive K2 registers.

PSBFE:

The PSBF interrupt enable is an interrupt mask for protection switch byte failure alarms. When PSBFE is a logic one, an interrupt is generated when PSBF is declared or removed.

Register 0xE1: RASE Interrupt Status

Bit	Type	Function	Default
Bit 7	R	PSBFI	X
Bit 6	R	COAPSI	X
Bit 5	R	Z1/S1I	X
Bit 4	R	SFBERI	X
Bit 3	R	SDBERI	X
Bit 2	R	SFBERV	X
Bit 1	R	SDBERV	X
Bit 0	R	PSBFV	X

PSBFV:

The PSBFV bit indicates the protection switching byte failure alarm state. The alarm is declared (PSBFV is set high) when twelve successive frames have been received without three consecutive frames containing identical K1 bytes. The alarm is removed (PSBFV is set low) when three consecutive frames containing identical K1 bytes have been received.

SDBERV:

The SDBERV bit indicates the signal degrade threshold crossing alarm state. The alarm is declared (SDBERV is set high) when the bit error rate exceeds the threshold programmed in the RASE SD Declaring Threshold registers. The alarm is removed (SDBERV is set low) when the bit error rate is below the threshold programmed in the RASE SD Clearing Threshold registers.

SFBERV:

The SFBERV bit indicates the signal failure threshold crossing alarm state. The alarm is declared (SFBERV is set high) when the bit error rate exceeds the threshold programmed in the RASE SF Declaring Threshold registers. The alarm is removed (SFBERV is set low) when the bit error rate is below the threshold programmed in the RASE SF Clearing Threshold registers.

SDBERI:

The SDBERI bit is set high when the signal degrade threshold crossing alarm is declared or removed. This bit is cleared when the RASE Interrupt Status register is read.

SFBERI:

The SFBERI bit is set high when the signal failure threshold crossing alarm is declared or removed. This bit is cleared when the RASE Interrupt Status register is read.

Z1/S1I:

The Z1/S1I bit is set high when a new synchronization status message is extracted into the RASE Receive Z1/S1 register. This bit is cleared when the RASE Interrupt Status register is read.

COAPSI:

The COAPSI bit is set high when a new APS code value is extracted into the RASE Receive K1 and RASE Receive K2 registers. This bit is cleared when the RASE Interrupt Status register is read.

PSBFI:

The PSBFI bit is set high when the protection switching byte failure alarm is declared or removed. This bit is cleared when the RASE Interrupt Status register is read.

Register 0xE2: RASE Configuration/Control

Bit	Type	Function	Default
Bit 7	R/W	Z1/S1_CAP	0
Bit 6	R/W	SFBERTEN	0
Bit 5	R/W	SFSMODE	0
Bit 4	R/W	SFCMODE	0
Bit 3	R/W	SDBERTEN	0
Bit 2	R/W	SDSMODE	0
Bit 1	R/W	SDCMODE	0
Bit 0	R/W	S1_BYTE	0

SDCMODE:

The SDCMODE alarm bit selects the RASE window size to use for clearing the SD alarm. When SDCMODE is a logic zero the RASE clears the SD alarm using the same window size used for declaration. When SDCMODE is a logic one the RASE clears the SD alarm using a window size that is 8 times longer than the alarm declaration window size. The declaration window size is determined by the RASE SD Accumulation Period registers.

SDSMODE:

The SDSMODE bit selects the RASE saturation mode. When SDSMODE is a logic zero the RASE limits the number of B2 errors accumulated in one frame period to the RASE SD Saturation Threshold register value. When SDSMODE is a logic one the RASE limits the number of B2 errors accumulated in one window subtotal accumulation period to the RASE SD Saturation Threshold register value. Note that the number of frames in a window subtotal accumulation period is determined by the RASE SD Accumulation Period register value.

SDBERTEN:

The SDBERTEN bit selects automatic monitoring of line bit error rate threshold events by the RASE. When SDBERTEN is a logic one, the RASE continuously monitors line BIP errors over a period defined in the RASE configuration registers. When SDBERTEN is a logic zero, the RASE BIP accumulation logic is disabled, and the RASE logic is reset to the declaration monitoring state.

All RASE accumulation period and threshold registers should be set up before SDBERTEN is written.

SFCMODE:

The SFCMODE alarm bit selects the RASE window size to use for clearing the SF alarm. When SFCMODE is a logic zero the RASE clears the SF alarm using the same window size used for declaration. When SFCMODE is a logic one the RASE clears the SF alarm using a window size that is 8 times longer than the alarm declaration window size. The declaration window size is determined by the RASE SF Accumulation Period registers.

SFSMODE:

The SFSMODE bit selects the RASE saturation mode. When SFSMODE is a logic zero the RASE limits the number of B2 errors accumulated in one frame period to the RASE SF Saturation Threshold register value. When SFSMODE is a logic one the RASE limits the number of B2 errors accumulated in one window subtotal accumulation period to the RASE SF Saturation Threshold register value. Note that the number of frames in a window subtotal accumulation period is determined by the RASE SF Accumulation Period register value.

SFBERTEN:

The SFBERTEN bit enables automatic monitoring of line bit error rate threshold events by the RASE. When SFBERTEN is a logic one, the RASE continuously monitors line BIP errors over a period defined in the RASE configuration registers. When SFBERTEN is a logic zero, the RASE BIP accumulation logic is disabled, and the RASE logic is reset to the declaration monitoring state.

All RASE accumulation period and threshold registers should be set up before SFBERTEN is written.

Z1/S1_CAP:

The Z1/S1_CAP bit enables the Z1/S1 Capture algorithm. When Z1/S1_CAP is a logic one, the Z1/S1 clock synchronization status message nibble must have the same value for eight consecutive frames before writing the new value into the RASE Receive Z1/S1 register. When Z1/S1_CAP is logic zero, the Z1/S1 nibble value is written directly into the RASE Receive Z1/S1 register.

S1_BYTE:

The S1_BYTE register bit selects if S1 is treated as a nibble or a complete byte. When S1_BYTE is logic 0, only the S1 nibble is used for filtering. When S1_BYTE is logic 1, the whole byte is used for filtering. In both cases the whole S1 byte is extracted.

Register 0xE3: RASE SF Accumulation Period

Bit	Type	Function	Default
Bit 7	R/W	SFSAP[7]	0
Bit 6	R/W	SFSAP[6]	0
Bit 5	R/W	SFSAP[5]	0
Bit 4	R/W	SFSAP[4]	0
Bit 3	R/W	SFSAP[3]	0
Bit 2	R/W	SFSAP[2]	0
Bit 1	R/W	SFSAP[1]	0
Bit 0	R/W	SFSAP[0]	0

Register 0xE4: RASE SF Accumulation Period

Bit	Type	Function	Default
Bit 7	R/W	SFSAP[15]	0
Bit 6	R/W	SFSAP[14]	0
Bit 5	R/W	SFSAP[13]	0
Bit 4	R/W	SFSAP[12]	0
Bit 3	R/W	SFSAP[11]	0
Bit 2	R/W	SFSAP[10]	0
Bit 1	R/W	SFSAP[9]	0
Bit 0	R/W	SFSAP[8]	0

Register 0xE5: RASE SF Accumulation Period

Bit	Type	Function	Default
Bit 7	R/W	SFSAP[23]	0
Bit 6	R/W	SFSAP[22]	0
Bit 5	R/W	SFSAP[21]	0
Bit 4	R/W	SFSAP[20]	0
Bit 3	R/W	SFSAP[19]	0
Bit 2	R/W	SFSAP[18]	0
Bit 1	R/W	SFSAP[17]	0
Bit 0	R/W	SFSAP[16]	0

SFSAP[23:0]:

The SFSAP[23:0] bits represent the number of 8 KHz frames used to accumulate the B2 error subtotal. The total evaluation window to declare the SF alarm is broken into 8 subtotals, so this register value represents 1/8 of the total sliding window size. Refer to the Operations section for recommended settings.

Register 0xE6: RASE SF Saturation Threshold

Bit	Type	Function	Default
Bit 7	R/W	SFSTH[7]	0
Bit 6	R/W	SFSTH[6]	0
Bit 5	R/W	SFSTH[5]	0
Bit 4	R/W	SFSTH[4]	0
Bit 3	R/W	SFSTH[3]	0
Bit 2	R/W	SFSTH[2]	0
Bit 1	R/W	SFSTH[1]	0
Bit 0	R/W	SFSTH[0]	0

Register 0xE7: RASE SF Saturation Threshold

Bit	Type	Function	Default
Bit 7		Unused	X
Bit 6		Unused	X
Bit 5		Unused	X
Bit 4		Unused	X
Bit 3	R/W	SFSTH[11]	0
Bit 2	R/W	SFSTH[10]	0
Bit 1	R/W	SFSTH[9]	0
Bit 0	R/W	SFSTH[8]	0

SFSTH[11:0]:

The SFSTH[11:0] value represents the allowable number of B2 errors that can be accumulated during an evaluation window before an SF threshold event is declared. Setting this threshold to 0xFFF disables the saturation functionality. Refer to the Operations section for the recommended settings.

Register 0xE8: RASE SF Declaring Threshold

Bit	Type	Function	Default
Bit 7	R/W	SFDTH[7]	0
Bit 6	R/W	SFDTH[6]	0
Bit 5	R/W	SFDTH[5]	0
Bit 4	R/W	SFDTH[4]	0
Bit 3	R/W	SFDTH[3]	0
Bit 2	R/W	SFDTH[2]	0
Bit 1	R/W	SFDTH[1]	0
Bit 0	R/W	SFDTH[0]	0

Register 0xE9: RASE SF Declaring Threshold

Bit	Type	Function	Default
Bit 7		Unused	X
Bit 6		Unused	X
Bit 5		Unused	X
Bit 4		Unused	X
Bit 3	R/W	SFDTH[11]	0
Bit 2	R/W	SFDTH[10]	0
Bit 1	R/W	SFDTH[9]	0
Bit 0	R/W	SFDTH[8]	0

SFDTH[11:0]:

The SFDTH[11:0] value determines the threshold for the declaration of the SF alarm. The SF alarm is declared when the number of B2 errors accumulated during an evaluation window is greater than or equal to the SFDTH[11:0] value. Refer to the Operations section for the recommended settings.

Register 0xEA: RASE SF Clearing Threshold

Bit	Type	Function	Default
Bit 7	R/W	SFCTH[7]	0
Bit 6	R/W	SFCTH[6]	0
Bit 5	R/W	SFCTH[5]	0
Bit 4	R/W	SFCTH[4]	0
Bit 3	R/W	SFCTH[3]	0
Bit 2	R/W	SFCTH[2]	0
Bit 1	R/W	SFCTH[1]	0
Bit 0	R/W	SFCTH[0]	0

Register 0xEB: RASE SF Clearing Threshold

Bit	Type	Function	Default
Bit 7		Unused	X
Bit 6		Unused	X
Bit 5		Unused	X
Bit 4		Unused	X
Bit 3	R/W	SFCTH[11]	0
Bit 2	R/W	SFCTH[10]	0
Bit 1	R/W	SFCTH[9]	0
Bit 0	R/W	SFCTH[8]	0

SFCTH[11:0]:

The SFCTH[11:0] value determines the threshold for the removal of the SF alarm. The SF alarm is removed when the number of B2 errors accumulated during an evaluation window is less than the SFCTH[11:0] value. Refer to the Operations section for the recommended settings.

Register 0xEC: RASE SD Accumulation Period

Bit	Type	Function	Default
Bit 7	R/W	SDSAP[7]	0
Bit 6	R/W	SDSAP[6]	0
Bit 5	R/W	SDSAP[5]	0
Bit 4	R/W	SDSAP[4]	0
Bit 3	R/W	SDSAP[3]	0
Bit 2	R/W	SDSAP[2]	0
Bit 1	R/W	SDSAP[1]	0
Bit 0	R/W	SDSAP[0]	0

Register 0xED: RASE SD Accumulation Period

Bit	Type	Function	Default
Bit 7	R/W	SDSAP[15]	0
Bit 6	R/W	SDSAP[14]	0
Bit 5	R/W	SDSAP[13]	0
Bit 4	R/W	SDSAP[12]	0
Bit 3	R/W	SDSAP[11]	0
Bit 2	R/W	SDSAP[10]	0
Bit 1	R/W	SDSAP[9]	0
Bit 0	R/W	SDSAP[8]	0

Register 0xEE: RASE SD Accumulation Period

Bit	Type	Function	Default
Bit 7	R/W	SDSAP[23]	0
Bit 6	R/W	SDSAP[22]	0
Bit 5	R/W	SDSAP[21]	0
Bit 4	R/W	SDSAP[20]	0
Bit 3	R/W	SDSAP[19]	0
Bit 2	R/W	SDSAP[18]	0
Bit 1	R/W	SDSAP[17]	0
Bit 0	R/W	SDSAP[16]	0

SDSAP[23:0]:

The SDSAP[23:0] bits represent the number of 8 KHz frames used to accumulate the B2 error subtotal. The total evaluation window to declare the SD alarm is broken into 8 subtotals, so this register value represents 1/8 of the total sliding window size. Refer to the Operations section for recommended settings.

Register 0xEF: RASE SD Saturation Threshold

Bit	Type	Function	Default
Bit 7	R/W	SDSTH[7]	0
Bit 6	R/W	SDSTH[6]	0
Bit 5	R/W	SDSTH[5]	0
Bit 4	R/W	SDSTH[4]	0
Bit 3	R/W	SDSTH[3]	0
Bit 2	R/W	SDSTH[2]	0
Bit 1	R/W	SDSTH[1]	0
Bit 0	R/W	SDSTH[0]	0

Register 0xF0: RASE SD Saturation Threshold

Bit	Type	Function	Default
Bit 7		Unused	X
Bit 6		Unused	X
Bit 5		Unused	X
Bit 4		Unused	X
Bit 3	R/W	SDSTH[11]	0
Bit 2	R/W	SDSTH[10]	0
Bit 1	R/W	SDSTH[9]	0
Bit 0	R/W	SDSTH[8]	0

SDSTH[11:0]:

The SDSTH[11:0] value represents the allowable number of B2 errors that can be accumulated during an evaluation window before an SD threshold event is declared. Setting this threshold to 0xFFF disables the saturation functionality. Refer to the Operations section for the recommended settings.

Register 0xF1: RASE SD Declaring Threshold

Bit	Type	Function	Default
Bit 7	R/W	SDDTH[7]	0
Bit 6	R/W	SDDTH[6]	0
Bit 5	R/W	SDDTH[5]	0
Bit 4	R/W	SDDTH[4]	0
Bit 3	R/W	SDDTH[3]	0
Bit 2	R/W	SDDTH[2]	0
Bit 1	R/W	SDDTH[1]	0
Bit 0	R/W	SDDTH[0]	0

Register 0xF2: RASE SD Declaring Threshold

Bit	Type	Function	Default
Bit 7		Unused	X
Bit 6		Unused	X
Bit 5		Unused	X
Bit 4		Unused	X
Bit 3	R/W	SDDTH[11]	0
Bit 2	R/W	SDDTH[10]	0
Bit 1	R/W	SDDTH[9]	0
Bit 0	R/W	SDDTH[8]	0

SDDTH[11:0]:

The SDDTH[11:0] value determines the threshold for the declaration of the SD alarm. The SD alarm is declared when the number of B2 errors accumulated during an evaluation window is greater than or equal to the SDDTH[11:0] value. Refer to the Operations section for the recommended settings.

Register 0xF3: RASE SD Clearing Threshold

Bit	Type	Function	Default
Bit 7	R/W	SDCTH[7]	0
Bit 6	R/W	SDCTH[6]	0
Bit 5	R/W	SDCTH[5]	0
Bit 4	R/W	SDCTH[4]	0
Bit 3	R/W	SDCTH[3]	0
Bit 2	R/W	SDCTH[2]	0
Bit 1	R/W	SDCTH[1]	0
Bit 0	R/W	SDCTH[0]	0

Register 0xF4: RASE SD Clearing Threshold

Bit	Type	Function	Default
Bit 7		Unused	X
Bit 6		Unused	X
Bit 5		Unused	X
Bit 4		Unused	X
Bit 3	R/W	SDCTH[11]	0
Bit 2	R/W	SDCTH[10]	0
Bit 1	R/W	SDCTH[9]	0
Bit 0	R/W	SDCTH[8]	0

SDCTH[11:0]:

The SDCTH[11:0] value determines the threshold for the removal of the SD alarm. The SD alarm is removed when the number of B2 errors accumulated during an evaluation window is less than the SDCTH[11:0] value. Refer to the Operations section for the recommended settings.

Register 0xF5: RASE Receive K1

Bit	Type	Function	Default
Bit 7	R	K1[7]	X
Bit 6	R	K1[6]	X
Bit 5	R	K1[5]	X
Bit 4	R	K1[4]	X
Bit 3	R	K1[3]	X
Bit 2	R	K1[2]	X
Bit 1	R	K1[1]	X
Bit 0	R	K1[0]	X

K1[7:0]:

The K1[7:0] bits contain the current K1 code value. The contents of this register are updated when a new K1 code value (different from the current K1 code value) is received for three consecutive frames. An interrupt may be generated when a new code value is received (using the COAPSE bit in the RASE Interrupt Enable Register). K1[7] is the most significant bit corresponding to bit 1, the first bit received. K1[0] is the least significant bit, corresponding to bit 8, the last bit received.

Register 0xF6: RASE Receive K2

Bit	Type	Function	Default
Bit 7	R	K2[7]	X
Bit 6	R	K2[6]	X
Bit 5	R	K2[5]	X
Bit 4	R	K2[4]	X
Bit 3	R	K2[3]	X
Bit 2	R	K2[2]	X
Bit 1	R	K2[1]	X
Bit 0	R	K2[0]	X

K2[7:0]:

The K2[7:0] bits contain the current K2 code value. The contents of this register are updated when a new K2 code value (different from the current K2 code value) is received for three consecutive frames. An interrupt may be generated when a new code value is received (using the COAPSE bit in the RASE Interrupt Enable Register). K2[7] is the most significant bit corresponding to bit 1, the first bit received. K2[0] is the least significant bit, corresponding to bit 8, the last bit received.

Register 0xF7: RASE Receive Z1/S1

Bit	Type	Function	Default
Bit 7	R	Z1/S1[7]	X
Bit 6	R	Z1/S1[6]	X
Bit 5	R	Z1/S1[5]	X
Bit 4	R	Z1/S1[4]	X
Bit 3	R	Z1/S1[3]	X
Bit 2	R	Z1/S1[2]	X
Bit 1	R	Z1/S1[1]	X
Bit 0	R	Z1/S1[0]	X

Z1/S1[3:0]:

The lower nibble of the first Z1/S1 byte contained in the receive stream is extracted into this register. The Z1/S1 byte is used to carry synchronization status messages between line terminating network elements. Z1/S1[3] is the most significant bit corresponding to bit 5, the first bit received. Z1/S1[0] is the least significant bit, corresponding to bit 8, the last bit received. An interrupt may be generated when a byte value is received that differs from the value extracted in the previous frame (using the Z1/S1E bit in the RASE Interrupt Enable Register). In addition, debouncing can be performed where the register is not loaded until eight of the same consecutive nibbles are received. Debouncing is controlled using the Z1/S1_CAP bit in the RASE Configuration/Control register.

Z1/S1[7:4]:

The upper nibble of the first Z1/S1 byte contained in the receive stream is extracted into this register. No interrupt is asserted on the change of this nibble. In addition, when the Z1/S1_CAP bit in the RASE Configuration/Control register selects debouncing, the upper nibble is only updated when eight of the same consecutive lower nibbles are received.

12 TEST FEATURES DESCRIPTION

Simultaneously asserting (low) the CSB, RDB and WRB inputs causes all digital output pins and the data bus to be held in a high-impedance state. This test feature may be used for board testing.

Test mode registers are used to apply test vectors during production testing of the S/UNI-TETRA. Test mode registers (as opposed to normal mode registers) are selected when TRS (A[10]) is high.

Test mode registers may also be used for board testing. When all of the TSBs within the S/UNI-TETRA are placed in test mode 0, device inputs may be read and device outputs may be forced via the microprocessor interface (refer to the section "Test Mode 0" for details).

In addition, the S/UNI-TETRA also supports a standard IEEE 1149.1 five-signal JTAG boundary scan test port for use in board testing. All digital device inputs may be read and all digital device outputs may be forced via the JTAG test port.

Table 12: Test Mode Register Memory Map

Address	Register
0x000-0x3FF	Normal Mode Registers
0x400	Master Test Register
0x401-0x7FF	Reserved For Test

12.1 Master Test Register

Notes on Test Mode Register Bits:

1. Writing values into unused register bits has no effect. However, to ensure software compatibility with future, feature-enhanced versions of the product, unused register bits must be written with logic zero. Reading back unused bits can produce either a logic one or a logic zero; hence, unused register bits should be masked off by software when read.
2. Writable test mode register bits are not initialized upon reset unless otherwise noted.

Register 0x400: Master Test

Bit	Type	Function	Default
Bit 7		Unused	X
Bit 6	W	BYPASS	X
Bit 5	W	PMCATST	X
Bit 4	W	PMCTST	X
Bit 3	W	DBCTRL	0
Bit 2	R/W	IOTST	0
Bit 1	W	HIZDATA	0
Bit 0	R/W	HIZIO	0

This register is used to enable S/UNI-TETRA test features. All bits, except PMCTST, PMCATST and BYPASS are reset to zero by a reset of the S/UNI-TETRA using either the RSTB input or the Master Reset register. PMCTST and BYPASS are reset when CSB is logic one. PMCATST is reset when both CSB is high and RSTB is low. PMCTST, PMCATST and BYPASS can also be reset by writing a logic zero to the corresponding register bit.

HIZIO, HIZDATA:

The HIZIO and HIZDATA bits control the tri-state modes of the S/UNI-TETRA. While the HIZIO bit is a logic one, all output pins of the S/UNI-TETRA except the data bus and output TDO are held tri-state. The microprocessor interface is still active. While the HIZDATA bit is a logic one, the data bus is also held in a high-impedance state which inhibits microprocessor read cycles. The HIZDATA bit is overridden by the DBCTRL bit.

IOTST:

The IOTST bit is used to allow normal microprocessor access to the test registers and control the test mode in each TSB block in the S/UNI-TETRA for board level testing. When IOTST is a logic one, all blocks are held in test mode and the microprocessor may write to a block's test mode 0 registers to manipulate the outputs of the block and consequentially the device outputs (refer to the "Test Mode 0 Details" in the "Test Features" section).

DBCTRL:

The DBCTRL bit is used to pass control of the data bus drivers to the CSB pin. When the DBCTRL bit is set to logic one and either IOTST or PMCTST

are logic one, the CSB pin controls the output enable for the data bus. While the DBCTRL bit is set, holding the CSB pin high causes the S/UNI-TETRA to drive the data bus and holding the CSB pin low tri-states the data bus. The DBCTRL bit overrides the HIZDATA bit. The DBCTRL bit is used to measure the drive capability of the data bus driver pads.

PMCTST:

The PMCTST bit is used to configure the S/UNI-TETRA for PMC's manufacturing tests. When PMCTST is set to logic one, the S/UNI-TETRA microprocessor port becomes the test access port used to run the PMC "canned" manufacturing test vectors. The PMCTST bit is logically "ORed" with the IOTST bit, and can be cleared by setting CSB to logic one or by writing logic zero to the bit.

PMCATST:

The PMCATST bit is used to configure the analog portion of the S/UNI-TETRA for PMC's manufacturing tests.

BYPASS

The BYPASS bit forces the clock recovery and clock synthesis units into a reset, and permits the input data and clock to feed directly into the serial-to-parallel converter. BYPASS is available for PMC manufacturing test purposes only.

MKT: Reserved:

12.2 Test Mode 0 Details

The S/UNI-TETRA does not support chip level Test Mode 0 read and write access. JTAG shall be used for board level testing.

12.3 JTAG Test Port

The S/UNI-TETRA JTAG Test Access Port (TAP) allows access to the TAP controller and the 4 TAP registers: instruction, bypass, device identification and boundary scan. Using the TAP, device input logic levels can be read, device outputs can be forced, the device can be identified and the device scan path can be bypassed. For more details on the JTAG port, please refer to the Operations section.

Table 13: Instruction Register (Length - 3 bits)

Instructions	Selected Register	Instruction Codes, IR[2:0]
EXTEST	Boundary Scan	000
IDCODE	Identification	001
SAMPLE	Boundary Scan	010
BYPASS	Bypass	011
BYPASS	Bypass	100
STCTEST	Boundary Scan	101
BYPASS	Bypass	110
BYPASS	Bypass	111

Table 14: Identification Register (Length – 32 bits)

Length	32 bits
Version number	0H
Part Number	5351H
Manufacturer's identification code	0CDH
Device identification	053510CDH

Table 15: S/UNI-TETRA Boundary Scan Register (Length – 155 bits)

PIN/ENABLE	REG. BIT	CELL TYPE	ID	CONTROL
RALRM1	154	T	1	HIZ_OEB
RALRM2	153	T	0	HIZ_OEB
RALRM3	152	T	1	HIZ_OEB
RALRM4	151	T	1	HIZ_OEB
RDAT[0]	150	T	0	RX_UTOPIA_OEB
RDAT[1]	149	T	0	RX_UTOPIA_OEB
RDAT[2]	148	T	1	RX_UTOPIA_OEB
RDAT[3]	147	T	1	RX_UTOPIA_OEB
RDAT[4]	146	T	0	RX_UTOPIA_OEB
RDAT[5]	145	T	0	RX_UTOPIA_OEB
RDAT[6]	144	T	0	RX_UTOPIA_OEB
RDAT[7]	143	T	0	RX_UTOPIA_OEB
RDAT[8]	142	T	1	RX_UTOPIA_OEB
RDAT[9]	141	T	0	RX_UTOPIA_OEB

RDAT[10]	140	T	0	RX_UTOPIA_OEB
RDAT[11]	139	T	0	RX_UTOPIA_OEB
RDAT[12]	138	T	1	RX_UTOPIA_OEB
RDAT[13]	137	T	0	RX_UTOPIA_OEB
RDAT[14]	136	T	1	RX_UTOPIA_OEB
RDAT[15]	135	T	0	RX_UTOPIA_OEB
RPRTY	134	T	1	RX_UTOPIA_OEB
RADR[0]	133	I	1	
RADR[1]	132	I	0	
RADR[2]	131	I	0	
RADR[3]	130	I	1	
RADR[4]	129	I	0	
RFCLK	128	I	1	
RENB	127	I	0	
RVAL	126	T	0	RX_UTOPIA_OEB
REOP	125	T	0	RX_UTOPIA_OEB
RERR	124	T	0	RX_UTOPIA_OEB
RSOC_RSOP	123	T	0	RX_UTOPIA_OEB
DTCA_DTPA[1]	122	T	0	HIZ_OEB
DTCA_DTPA[2]	121	T	0	HIZ_OEB
DTCA_DTPA[3]	120	T	0	HIZ_OEB
DTCA_DTPA[4]	119	T	0	HIZ_OEB
RCA_PRPA	118	T	0	RCA_PRPA_OEB
DRCA_DRPA[1]	117	T	0	HIZ_OEB
DRCA_DRPA[2]	116	T	0	HIZ_OEB
DRCA_DRPA[3]	115	T	0	HIZ_OEB
DRCA_DRPA[4]	114	T	0	HIZ_OEB
TCA_PTPA	113	T	0	TCA_PTPA_OEB
TFCLK	112	I	0	
TENB	111	I	0	
TSOC_TSOP	110	I	0	
TPRTY	109	I	0	
TADR[0]	108	I	0	
TADR[1]	107	I	0	
TADR[2]	106	I	0	
TADR[3]	105	I	0	
TADR[4]	104	I	0	
TMOD	103	I	0	
TDAT[0]	102	I	0	
TDAT[1]	101	I	0	
TDAT[2]	100	I	0	
TDAT[3]	99	I	0	
TDAT[4]	98	I	0	
TDAT[5]	97	I	0	

TDAT[6]	96	I	0	
TDAT[7]	95	I	0	
TDAT[8]	94	I	0	
TDAT[9]	93	I	0	
TDAT[10]	92	I	0	
TDAT[11]	91	I	0	
TDAT[12]	90	I	0	
TDAT[13]	89	I	0	
TDAT[14]	88	I	0	
TDAT[15]	87	I	0	
STPA	86	T	0	STPA_OEB
STPA_OEB	85	E	0	
TEOP	84	I	0	
TERR	83	I	0	
PHY_OEN	82	I	0	
D_OEB[0]	81	E	0	
D[0]	80	B	0	D_OEB[0]
D_OEB[1]	79	E	0	
D[1]	78	B	0	D_OEB[1]
D_OEB[2]	77	E	0	
D[2]	76	B	0	D_OEB[2]
D_OEB[3]	75	E	0	
D[3]	74	B	0	D_OEB[3]
D_OEB[4]	73	E	0	
D[4]	72	B	0	D_OEB[4]
D_OEB[5]	71	E	0	
D[5]	70	B	0	D_OEB[5]
D_OEB[6]	69	E	0	
D[6]	68	B	0	D_OEB[6]
D_OEB[7]	67	E	0	
D[7]	66	B	0	D_OEB[7]
A[0]	65	I	0	
A[1]	64	I	0	
A[2]	63	I	0	
A[3]	62	I	0	
A[4]	61	I	0	
A[5]	60	I	0	
A[6]	59	I	0	
A[7]	58	I	0	
A[8]	57	I	0	
A[9]	56	I	0	
A[10]	55	I	0	
CSB	54	I	0	

ALE	53	I	0	
RDB	52	I	0	
WRB	51	I	0	
RSTB	50	I	0	
INTB	49	O	0	
HIZ_OEB	48	E	0	
RX_UTOPIA_OEB	47	E	0	
TCA_PTPA_OEB	46	E	0	
RCA_PRPA_OEB	45	E	0	
TFPI	44	I	0	
REFCLK	43	I	0	
TSD1	42	I	0	
TSD2	41	I	0	
TSD3	40	I	0	
TSD4	39	I	0	
TLD1	38	I	0	
TLD2	37	I	0	
TLD3	36	I	0	
TLD4	35	I	0	
TSDCLK1	34	T	0	HIZ_OEB
TSDCLK2	33	T	0	HIZ_OEB
TSDCLK3	32	T	0	HIZ_OEB
TSDCLK4	31	T	0	HIZ_OEB
TLDC1K1	30	T	0	HIZ_OEB
TLDC1K2	29	T	0	HIZ_OEB
TLDC1K3	28	T	0	HIZ_OEB
TLDC1K4	27	T	0	HIZ_OEB
TFPO	26	T	0	HIZ_OEB
TCLK	25	T	0	HIZ_OEB
RFPO1	24	T	0	HIZ_OEB
RFPO2	23	T	0	HIZ_OEB
RFPO3	22	T	0	HIZ_OEB
RFPO4	21	T	0	HIZ_OEB
RCLK1	20	T	0	HIZ_OEB
RCLK2	19	T	0	HIZ_OEB
RCLK3	18	T	0	HIZ_OEB
RCLK4	17	T	0	HIZ_OEB
RLD1	16	T	0	HIZ_OEB
RLD2	15	T	0	HIZ_OEB
RLD3	14	T	0	HIZ_OEB
RLD4	13	T	0	HIZ_OEB
RSD1	12	T	0	HIZ_OEB
RSD2	11	T	0	HIZ_OEB

RSD3	10	T	0	HIZ_OEB
RSD4	9	T	0	HIZ_OEB
RLDCLK1	8	T	0	HIZ_OEB
RLDCLK2	7	T	0	HIZ_OEB
RLDCLK3	6	T	0	HIZ_OEB
RLDCLK4	5	T	0	HIZ_OEB
RSDCLK1	4	T	0	HIZ_OEB
RSDCLK2	3	T	0	HIZ_OEB
RSDCLK3	2	T	0	HIZ_OEB
RSDCLK4	1	T	0	HIZ_OEB
RMOD	0	T	0	RX_UTOPIA_OEB

NOTES:

1. D_OENB[7:0] is the active low output enable for D[7:0].
2. RX_UTOPIA_OEB is the active low output enable for RSOC/RSOP, RDAT[15:0], RXPRTY, RMOD, RERR, RVAL.
3. TCA_PTPA_OEB is the active low output enable for TCA/PTPA.
4. RCA_PRPA_OEB is the active low output enable for RCA/PRPA.
5. STPA_OEB is the active low output enable for STPA.
6. When set high, INTB will be set to high impedance.
7. HIZ_OEB is the active low output enable for all OUT_CELL types except those listed above.
8. A[7] is the first bit of the boundary scan chain.

Table 16: S/UNI-QUAD Boundary Scan Register (Length – 114 bits)

PIN/ENABLE	REG. BIT	CELL TYPE	ID	CONTROL
RALRM1	113	T	1	HIZ_OEB
RALRM2	112	T	0	HIZ_OEB
RALRM3	111	T	1	HIZ_OEB
RALRM4	110	T	1	HIZ_OEB
RDAT[0]	109	T	0	RX_UTOPIA_OEB
RDAT[1]	108	T	0	RX_UTOPIA_OEB
RDAT[2]	107	T	1	RX_UTOPIA_OEB
RDAT[3]	106	T	1	RX_UTOPIA_OEB
RDAT[4]	105	T	0	RX_UTOPIA_OEB
RDAT[5]	104	T	0	RX_UTOPIA_OEB

RDAT[6]	103	T	0	RX_UTOPIA_OEB
RDAT[7]	102	T	0	RX_UTOPIA_OEB
RDAT[8]	101	T	1	RX_UTOPIA_OEB
RDAT[9]	100	T	0	RX_UTOPIA_OEB
RDAT[10]	99	T	0	RX_UTOPIA_OEB
RDAT[12]	98	T	1	RX_UTOPIA_OEB
RDAT[11]	97	T	0	RX_UTOPIA_OEB
RDAT[13]	96	T	0	RX_UTOPIA_OEB
RDAT[14]	95	T	1	RX_UTOPIA_OEB
RDAT[15]	94	T	0	RX_UTOPIA_OEB
RPRTY	93	T	1	RX_UTOPIA_OEB
RADR[0]	92	I	1	
RADR[1]	91	I	0	
RADR[2]	90	I	0	
RADR[3]	89	I	1	
RADR[4]	88	I	0	
RFCLK	87	I	1	
RENB	86	I	0	
DTCA_DTPA[1]	85	T	0	HIZ_OEB
DTCA_DTPA[2]	84	T	0	HIZ_OEB
DTCA_DTPA[3]	83	T	0	HIZ_OEB
DTCA_DTPA[4]	82	T	0	HIZ_OEB
RSOC_RSOP	81	T	0	RX_UTOPIA_OEB
RCA_PRPA	80	T	0	RCA_OEB
DRCA_DRPA[1]	79	T	0	HIZ_OEB
DRCA_DRPA[2]	78	T	0	HIZ_OEB
DRCA_DRPA[3]	77	T	0	HIZ_OEB
DRCA_DRPA[4]	76	T	0	HIZ_OEB
TCA_PTPA	75	T	0	TCA_OEB
TFCLK	74	I	0	
TENB	73	I	0	
TSOC_TSOP	72	I	0	
TPRTY	71	I	0	
TADR[0]	70	I	0	
TADR[1]	69	I	0	
TADR[2]	68	I	0	
TADR[3]	67	I	0	
TADR[4]	66	I	0	
TDAT[0]	65	I	0	
TDAT[1]	64	I	0	
TDAT[2]	63	I	0	
TDAT[3]	62	I	0	
TDAT[4]	61	I	0	
TDAT[5]	60	I	0	

TDAT[6]	59	I	0	
TDAT[7]	58	I	0	
TDAT[8]	57	I	0	
TDAT[9]	56	I	0	
TDAT[10]	55	I	0	
TDAT[11]	54	I	0	
TDAT[12]	53	I	0	
TDAT[13]	52	I	0	
TDAT[14]	51	I	0	
TDAT[15]	50	I	0	
PHY_OEN	49	I	0	
D_OEB[0]	48	E	0	
D[0]	47	B	0	D_OEB[0]
D_OEB[1]	46	E	0	
D[1]	45	B	0	D_OEB[1]
D_OEB[2]	44	E	0	
D[2]	43	B	0	D_OEB[2]
D_OEB[3]	42	E	0	
D[3]	41	B	0	D_OEB[3]
D_OEB[4]	40	E	0	
D[4]	39	B	0	D_OEB[4]
D_OEB[5]	38	E	0	
D[5]	37	B	0	D_OEB[5]
D_OEB[6]	36	E	0	
D[6]	35	B	0	D_OEB[6]
D_OEB[7]	34	E	0	
D[7]	33	B	0	D_OEB[7]
A[0]	32	I	0	
A[1]	31	I	0	
A[2]	30	I	0	
A[3]	29	I	0	
A[4]	28	I	0	
A[5]	27	I	0	
A[6]	26	I	0	
A[7]	25	I	0	
A[8]	24	I	0	
A[9]	23	I	0	
A[10]	22	I	0	
CSB	21	I	0	
ALE	20	I	0	
RDB	19	I	0	
WRB	18	I	0	
RSTB	17	I	0	

INTB	16	O	0	
HIZ_OEB	15	E	0	
RX_UTOPIA_OEB	14	E	0	
TCA_PTPA_OEB	13	E	0	
RCA_PRPA_OEB	12	E	0	
TFPI	11	I	0	
REFCLK	10	I	0	
TFPO	9	T	0	HIZ_OEB
TCLK	8	T	0	HIZ_OEB
RFPO1	7	T	0	HIZ_OEB
RFPO2	6	T	0	HIZ_OEB
RFPO3	5	T	0	HIZ_OEB
RFPO4	4	T	0	HIZ_OEB
RCLK1	3	T	0	HIZ_OEB
RCLK2	2	T	0	HIZ_OEB
RCLK3	1	T	0	HIZ_OEB
RCLK4	0	T	0	HIZ_OEB

NOTES:

9. D_OENB[7:0] is the active low output enable for D[7:0].
10. RX_UTOPIA_OEB is the active low output enable for RSOC, RDAT[15:0], RXPRTY.
11. TCA_OEB is the active low output enable for TCA.
12. RCA_OEB is the active low output enable for RCA.
13. When set high, INTB will be set to high impedance.
14. HIZ_OEB is the active low output enable for all OUT_CELL types except those listed above.
15. A[7] is the first bit of the boundary scan chain.

12.3.1 Boundary Scan Cells

In the following diagrams, CLOCK-DR is equal to TCK when the current controller state is SHIFT-DR or CAPTURE-DR, and unchanging otherwise. The multiplexer in the center of the diagram selects one of four inputs, depending on the status of select lines G1 and G2. The ID Code bit is as listed in the Boundary Scan Register table located above.

Figure 14: Input Observation Cell (IN_CELL)

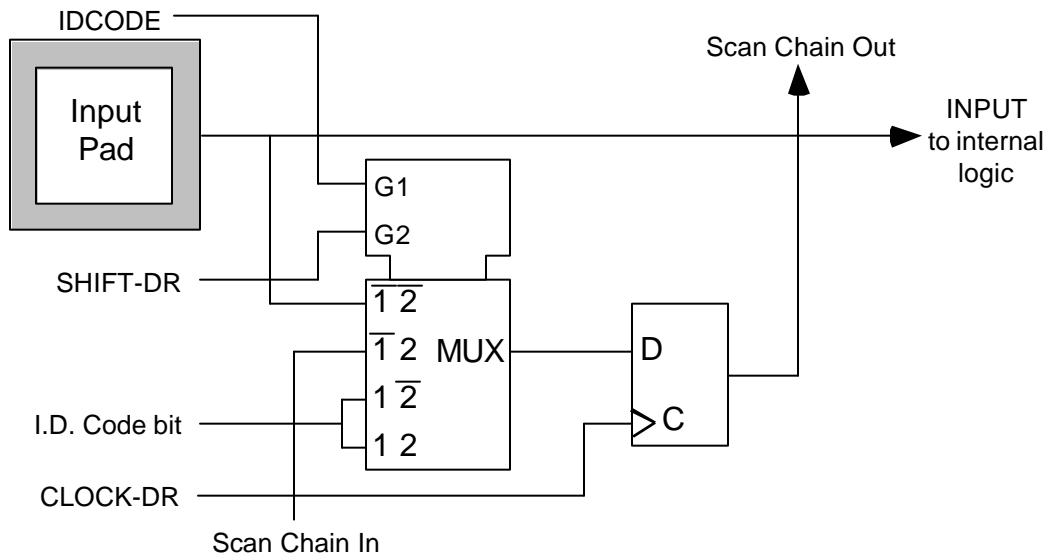


Figure 15: Output Cell (OUT_CELL)

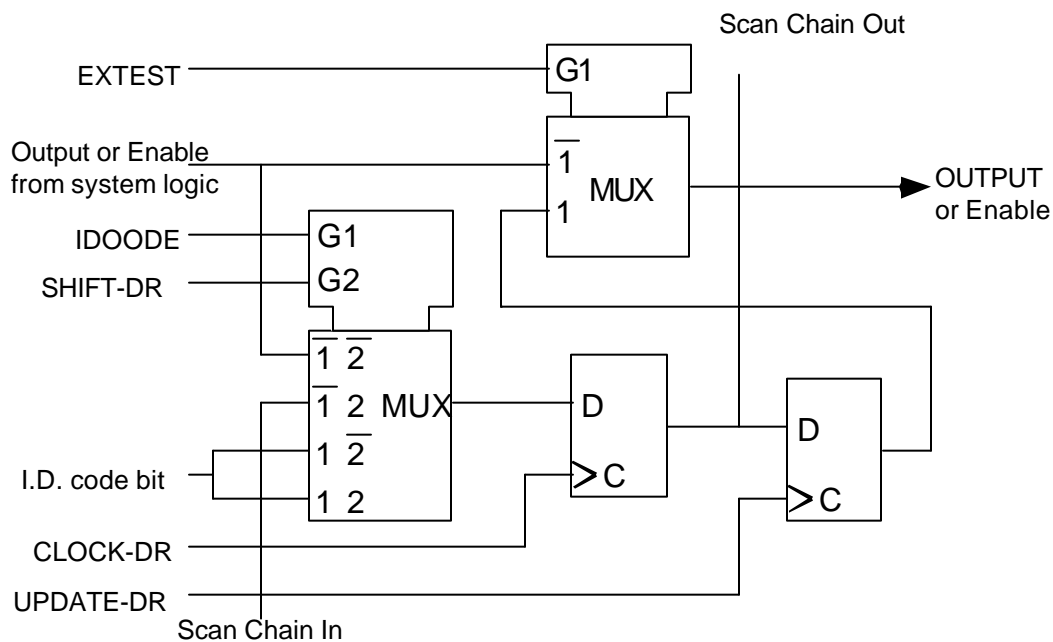


Figure 16: Bidirectional Cell (IO_CELL)

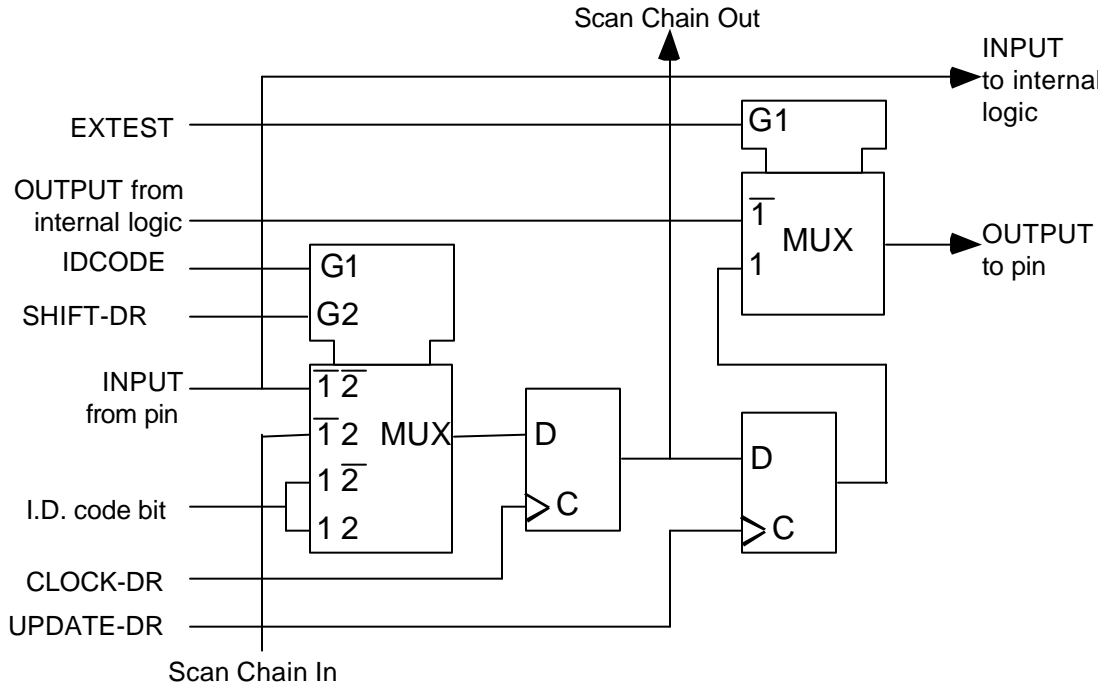
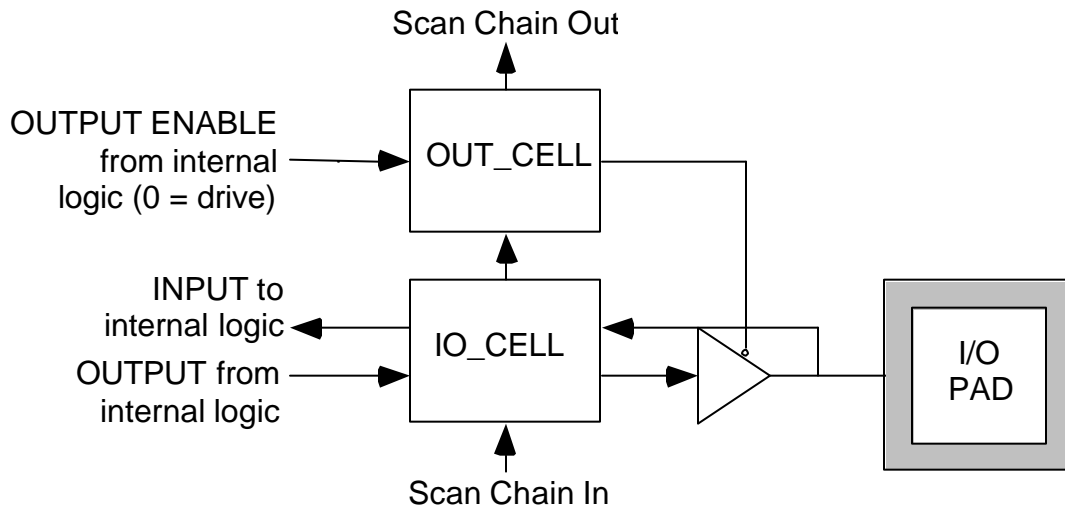


Figure 17: Layout of Output Enable and Bidirectional Cells



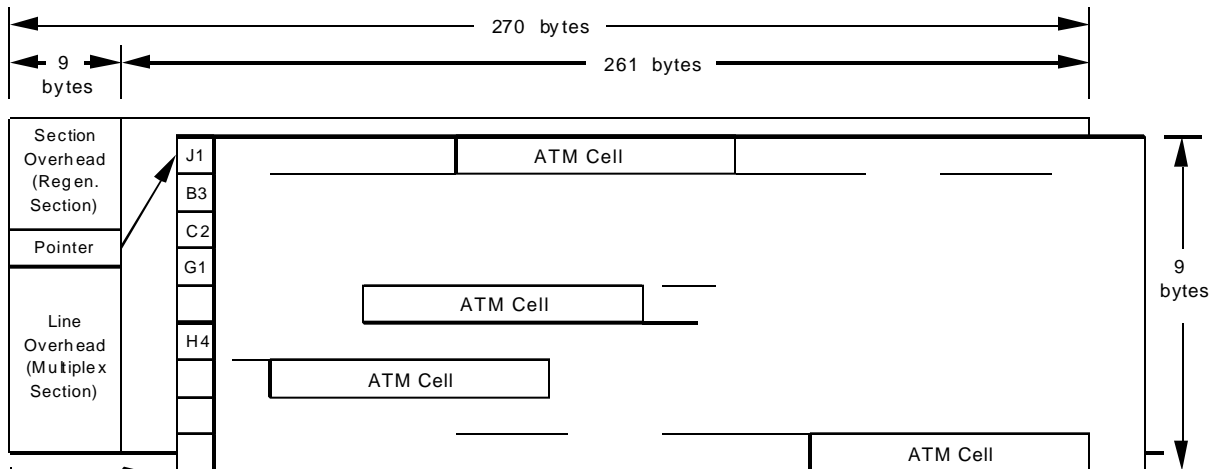
13 OPERATION

13.1 SONET/SDH Frame Mappings and Overhead Byte Usage

13.1.1 ATM Mapping

The S/UNI-TETRA processes the ATM cell mapping for STS-3c (STM-1) as shown below in Figure 18. The S/UNI-TETRA processes the transport and path overhead required to support ATM UNIs and NNIs. In addition, the S/UNI-TETRA provides support for the APS bytes, the data communication channels and provides full control and observability of the transport and path overhead bytes through register access. In Figure 18, the STS-3c (STM-1) mapping is shown. In this mapping, no stuff columns are included in the SPE. The entire SPE is used for ATM cells.

Figure 18: ATM Mapping into the STS-3c (STM-1) SPE



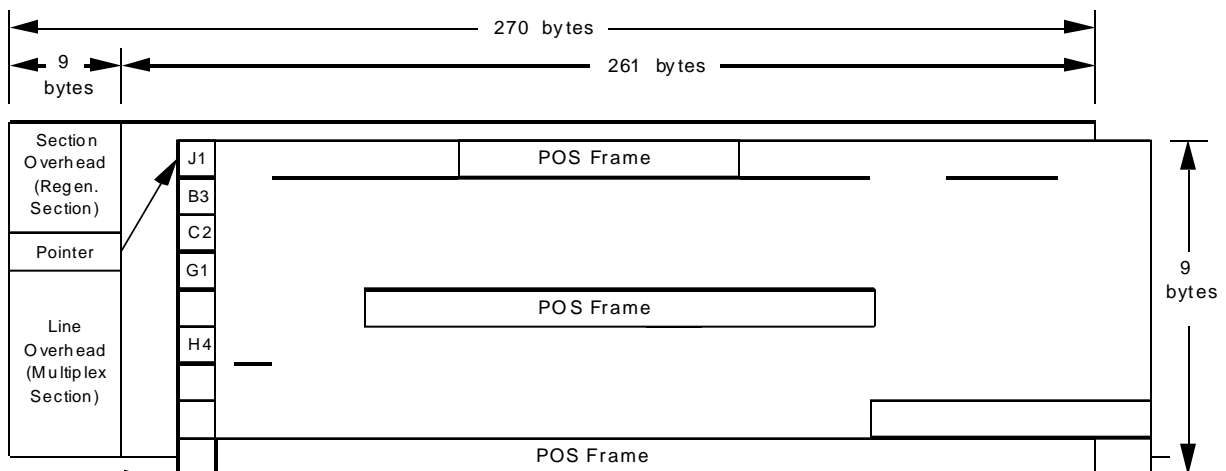
STS-3c Transport Overhead
STM-1 Section Overhead

A1	A1	A1	A2	A2	A2	J0	Z0	Z0
B1								
D1			D2			D3		
H1	H1	H1	H2	H2	H2	H3	H3	H3
B2	B2	B2	K1			K2		
D4			D5			D6		
D7			D8			D9		
D10			D11			D12		
S1				M1	E2			

13.1.2 Packet over SONET/SDH Mapping

The S/UNI-TETRA processes the Packet over SONET mapping for STS-3c (STM-1) as shown below in Figure 19. The S/UNI-TETRA processes the transport and path overhead required to support Packet over SONET/SDH applications. In addition, the S/UNI-TETRA provides support for the APS bytes, the data communication channels and provides full control and observability of the transport and path overhead bytes through register access. In Figure 19, the STS-3c (STM-1) mapping is shown. In this mapping, the entire SPE is used for POS Frames.

Figure 19: POS Mapping into the STS-3c (STM-1) SPE



STS-3c Transport Overhead
STM-1 Section Overhead

A1	A1	A1	A2	A2	A2	J0	Z0	Z0
B1								
D1			D2			D3		
H1	H1	H1	H2	H2	H2	H3	H3	H3
B2	B2	B2	K1			K2		
D4			D5			D6		
D7			D8			D9		
D10			D11			D12		
S1					M1	E2		

- B1:** The section bit interleaved parity byte provides a section error monitoring function.
- D1 - D3:** The section data communications channel provides a 192 kbit/s data communications channel for network element to network element communications.
- H1, H2:** The pointer value bytes locate the path overhead column in the SONET/SDH frame.
- H3:** The pointer action bytes contain synchronous payload envelope data when a negative stuff event occurs. The all zeros pattern is inserted in the transmit direction. This byte is ignored in the receive direction unless a negative stuff event is detected.
- B2:** The line bit interleaved parity bytes provide a line error monitoring function.
- K1, K2:** The K1 and K2 bytes provide the automatic protection switching channel. The K2 byte is also used to identify line layer maintenance signals. Line RDI is indicated when bits 6, 7, and 8 of the K2 byte are set to the pattern '110'. Line AIS is indicated when bits 6, 7, and 8 of the K2 byte are set to the pattern '111'.
- D4 - D12:** The line data communications channel provides a 576 kbit/s data communications channel for network element to network element communications.
- S1:** The S1 byte provides the synchronization status byte. Bits 5 through 8 of the synchronization status byte identifies the synchronization source of the STS-3c (STM-1) signal. Bits 1 through 4 are currently undefined.
- M1:** The M1 byte is located in the third STS-1 locations of a STS-3c (STM-1) and provides a line far end block error function for remote performance monitoring.

Path Overhead Bytes

- J1:** The Path Trace byte is used to repetitively transmit a 64-byte CLLI message (for SONET networks), or a 16-byte E.164 address

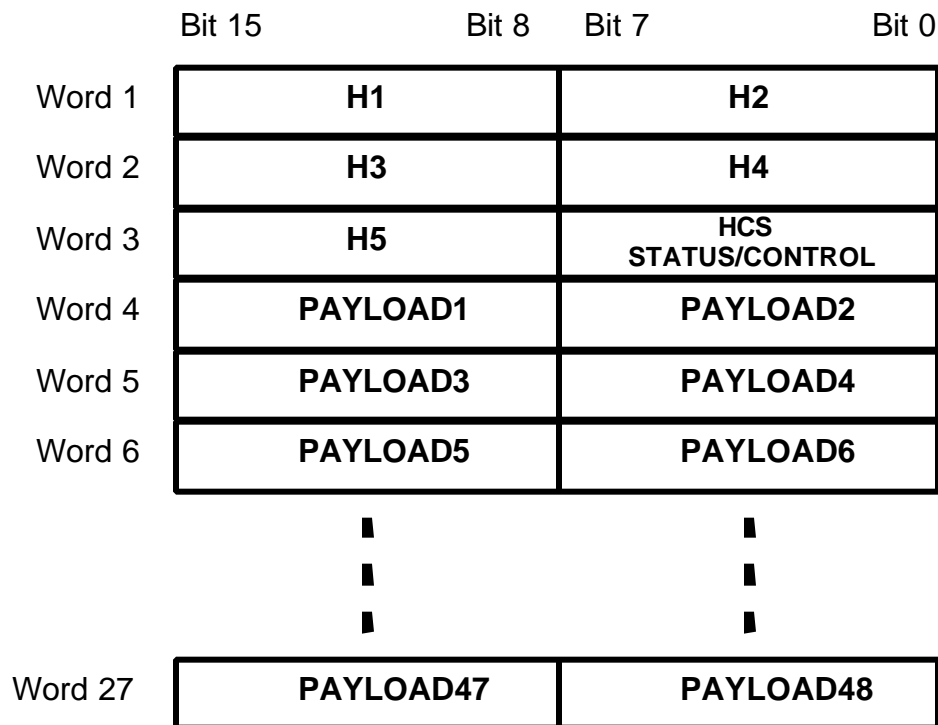
(for SDH networks). When not used, this byte should be set to transmit continuous null characters. Null is defined as the ASCII code, 0x00.

- B3:** The path bit interleaved parity byte provides a path error monitoring function.
- C2:** The path signal label indicator identifies the equipped payload type. For ATM payloads, the identification code is 0x13: For Packet over SONET/SDH (including $X^{43} + 1$ payload scrambling), the identification code is 0x16.
- G1:** The path status byte provides a path FEBE function, and a path remote defect indication function. Three bits are allocated for remote defect indications: bit 5 (the path RDI bit), bit 6 (the auxiliary path RDI bit) and bit 7 (Enhanced RDI bit). Taken together these bits provide a eight state path RDI code that can be used to categorize path defect indications.
- H4:** The multiframe indicator byte is a payload specific byte, and is not used for ATM payloads. This byte is forced to 0x00 in the transmit direction, and is ignored in the receive direction.

13.2 ATM Cell Data Structure

ATM cells may be passed to/from the S/UNI-TETRA using a twenty-seven word, 16-bit Utopia level 2 compliant data structure. This data structure is shown in Figure 21.

Figure 21: 16-bit Wide, 27 Word ATM Cell Structure



Bit 15 of each word is the most significant bit (which corresponds to the first bit transmitted or received). The header check sequence octet (HCS) is passed through this structure. The start of cell indication input and output (TSOC and RSOC) are coincident with Word 1 (containing the first two header octets). Word 3 of this structure contains the HCS octet in bits 15 to 8.

In the receive direction, the lower 8 bits of Word 3 contain the HCS status octet. An all-zeros pattern in these 8 bits indicates that the associated header is error free. An all-ones pattern indicates that the header contains an uncorrectable error (if the HCSPASS bit in the RXCP Control Register is set to logic zero, the all-ones pattern will never be passed in this structure). An alternating ones and zeros pattern (0xAA) indicates that the header contained a correctable error. In this case the header passed through the structure is the "corrected" header.

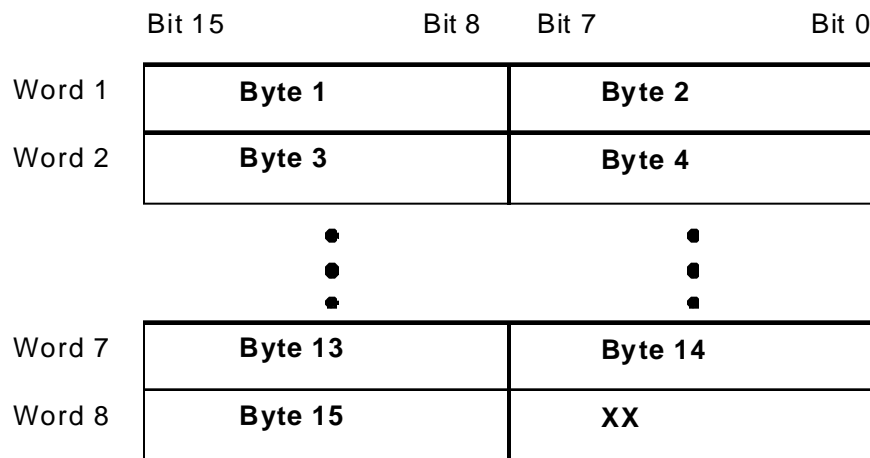
In the transmit direction, the HCS bit in the TXCP Control register determines whether the HCS is calculated internally or is inserted directly from the upper 8 bits of Word 3. The lower 8 bits of Word 3 contain the HCS control octet. The HCS control octet is an error mask that allows the insertion of one or more errors

in the HCS octet. A logic one in a given bit position causes the inversion of the corresponding HCS bit position (for example a logic one in bit 7 causes the most significant bit of the HCS to be inverted).

13.3 Packet over SONET/SDH Data Structure

Packets may be written into the TXFP FIFO and read from the RXFP FIFO using one defined data structure. Octets are written in the same order they are to be transmitted or they were received on the SONET/SDH line. Within an octet, the MSB (bit 7) is the first bit to be transmitted. All words are composed of two octets, except the last word of a packet which can have one or two bytes. If the TXFP does not insert the FCS field, then these bytes should be included at the end of the packet. If the RXFP does not strip the FCS field, then these bytes will be included at the end of the packet.

Figure 22: Packet Data Structure



A 15 byte packet

13.4 Bit Error Rate Monitor

The S/UN-TETRA provides two BERM blocks. One can be dedicated to monitor at the Signal Degrade (SD) error rate and the other dedicated to monitor at the Signal Fail (SF) error rate.

The Bit Error Rate Monitor (BERM) block counts and monitor line BIP errors over programmable periods of time (window size). It can monitor to declare an alarm or to clear it if the alarm is already set. A different threshold and accumulation period must be used to declare or clear the alarm, whether or not those two

operations are not performed at the same BER. The following table list the recommended content of the BERM registers for different error rates (BER). Both BERM in the TSB are equivalent and are programmed similarly. In a normal application they will be set to monitor different BER.

When the SF/SD CMODE bit is 1 this indicates that the clearing monitoring is recommended to be performed using a window size that is 8 times longer than the declaration window size. When the SF/SD CMODE bit is 0 this indicates that the clearing monitoring is recommended to be performed using a window size equal to the declaration window size. In all cases the clearing threshold is calculated for a BER that is 10 times lower than the declaration BER, as required in the references. The table indicates the declare BER and evaluation period only.

The Saturation threshold is not listed in the table, and should be programmed with the value 0xFFF by default, deactivating saturation. Saturation capabilities are provided to allow the user to address issues associated with error bursts.

Table 17: Recommended BERM settings

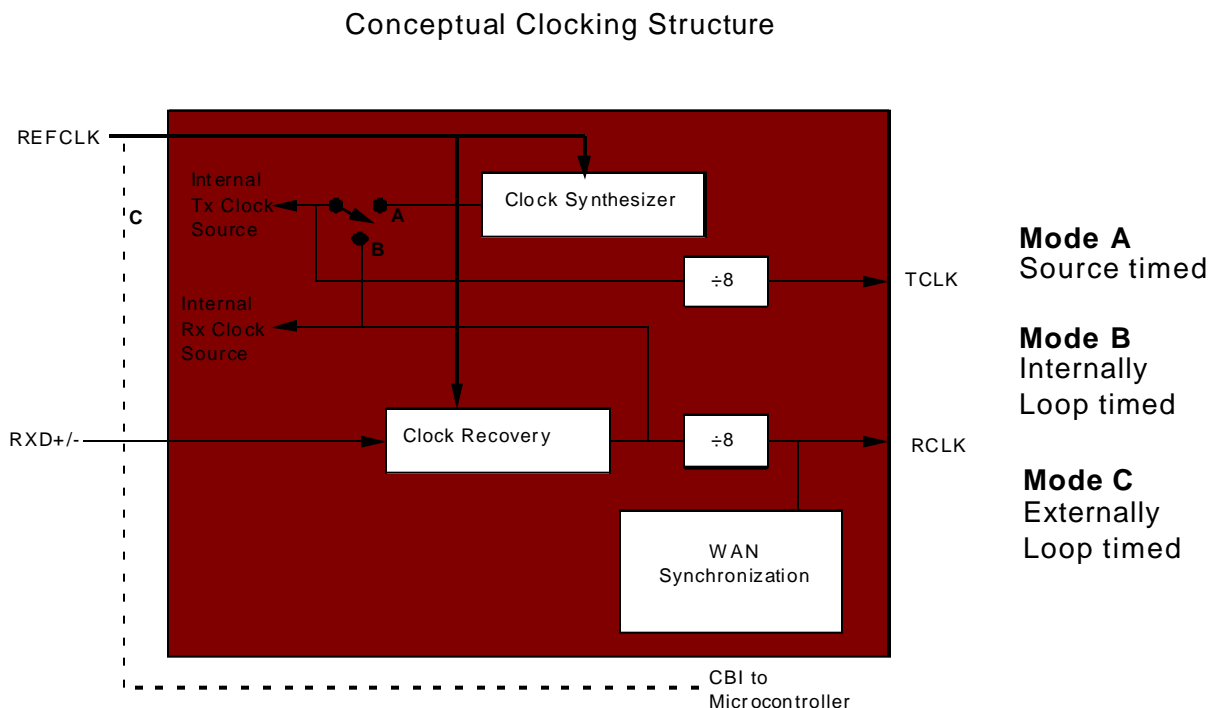
declare BER	Eval Per (s)	SF/SD SMODE	SF/SD CMODE	SF/SD SAP	SF/SD DTH	SF/SD CTH
10 ⁻³	0.008	0	0	0x000008	0x245	0x083
10 ⁻⁴	0.013	0	1	0x00000D	0x0A3	0x0B4
10 ⁻⁵	0.100	0	1	0x000064	0x084	0x08E
10 ⁻⁶	1.000	0	1	0x0003E8	0x085	0x08E
10 ⁻⁷	10.000	0	1	0x002710	0x085	0x08E
10 ⁻⁸	83.000	0	1	0x014438	0x06D	0x077
10 ⁻⁹	667.000	0	1	0x0A2D78	0x055	0x061

It is important to notice that the Table 17 was designed around the Bellcore GR-253 specification. Please refer to the SONET/SDH/SDH Bit error Threshold Monitoring application note for more details as well as a recommended programming meeting the ITU G.783 specification.

13.5 Clocking Options

The S/UNI-TETRA supports several clocking modes. Figure 23 is an abstraction of the clocking topology.

Figure 23: Conceptual Clocking Structure



Mode A is provided for all public user network interfaces (UNIs) and for private UNIs and private network node interfaces (NNIs) that are not synchronized to the recovered clock.

The transmit clock in a public UNI must conform to SONET Network Element (NE) requirements specified in Bellcore GR-253-CORE. These requirements include jitter generation, short term clock stability, phase transients during synchronization failure, and possibly holdover. The 19.44 MHz clock source is typically a VCO (or temperature compensated VCXO) locked to a primary reference source for public UNI applications. The accuracy of this clock source should be within ± 20 ppm of 19.44 MHz to comply with the SONET/SDH network element free-run accuracy requirements. The S/UNI-TETRA WANS block allows to effectively implement the system timing reference.

The transmit clock in a private UNI or a private NNI may be locked to an external reference or may free-run. The simplest implementation requires an oscillator free-running at 19.44 MHz.

Mode A is selected by clearing the LOOPT bit of the Channel Control register. REFCLK is multiplied by 8 to become the 155.52 MHz transmit clock.

REFCLK must be jitter free. The source REFCLK is also internally used as the clock recovery reference.

Mode B is provided for private UNIs and private NNIs that require synchronization to the recovered clock. Mode B is selected by setting the LOOPT bit of the Master Control register. Normally, the transmit clock is locked to the receive data. In the event of a loss of signal condition, the transmit clock is synthesized from REFCLK.

Mode C is the external loop timing mode which make use of the WAN Synchronization block capabilities. This mode can be achieved when LOOPT is set to logic zero. The timing loop is achieved at the system level, through a microprocessor, an external VCXO and back into the REFCLK input. This mode allows to meet Bellcore wander transfer and holdover stability requirements.

13.6 Loopback Operation

The S/UNI-TETRA supports three loopback functions: line loopback, parallel diagnostic loopback and serial diagnostic loopback. Each channel's loopback modes operate independently. The loopback modes are activated by the PDLE, LLE and SDLE bits contained in the S/UNI-TETRA Channel Control Register.

The line loopback, see Figure 24, connects the high speed receive data and clock to the high speed transmit data and clock, and can be used for line side investigations (including clock recovery and clock synthesis). While in this mode, the entire receive path is operating normally and cells can be received through the FIFO interface.

The serial diagnostic loopback, see Figure 25, connects the high speed transmit data and clock to the high speed receive data and clock. While in this mode, the entire transmit path is operating normally and data is transmitted on the TXD+/- outputs.

The parallel diagnostic loopback, see Figure 26, connects the byte wide transmit data and clock to the byte wide receive data and clock. While in this mode, the entire transmit path is operating normally and data is transmitted on the TXD+/- outputs.

Figure 24: Line Loopback Mode

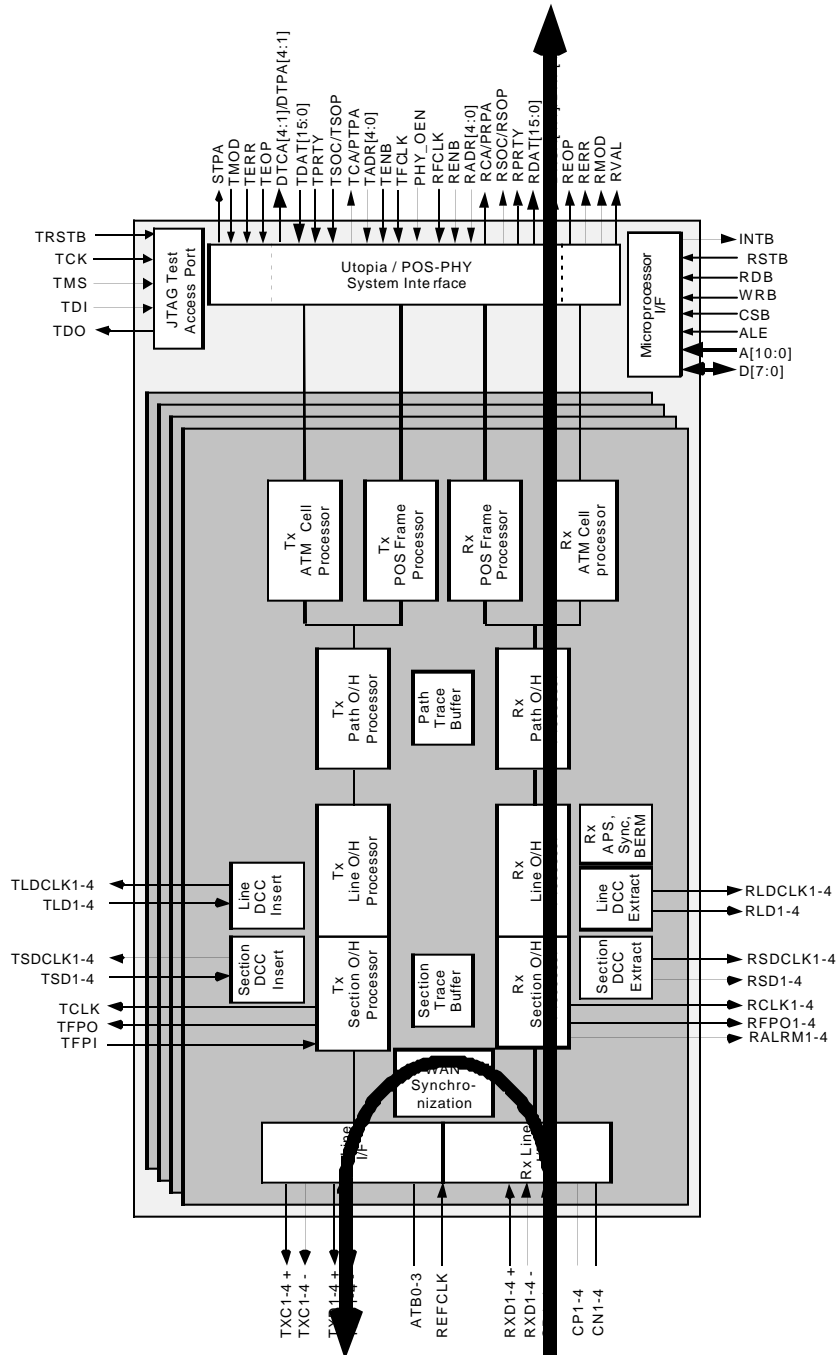


Figure 25: Serial Diagnostic Loopback Mode

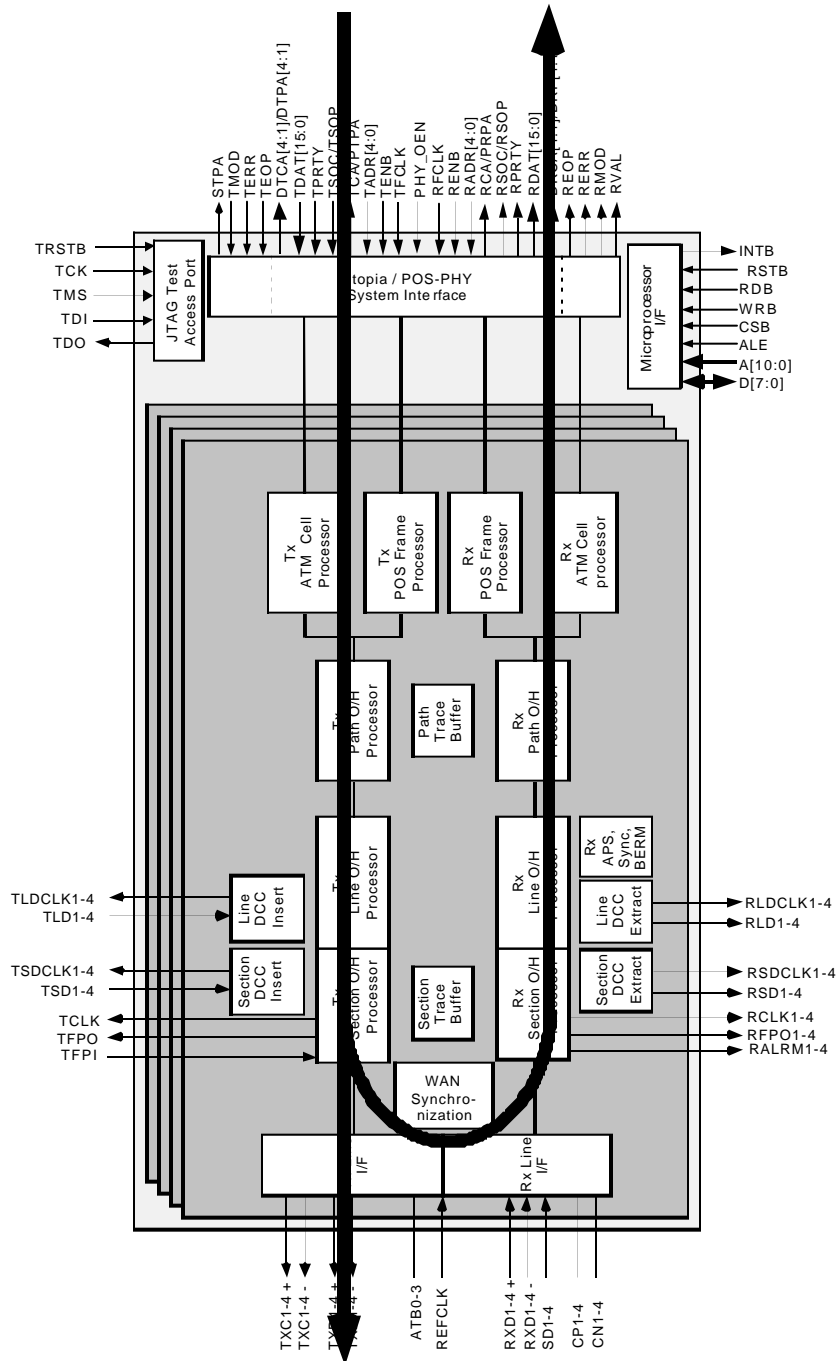
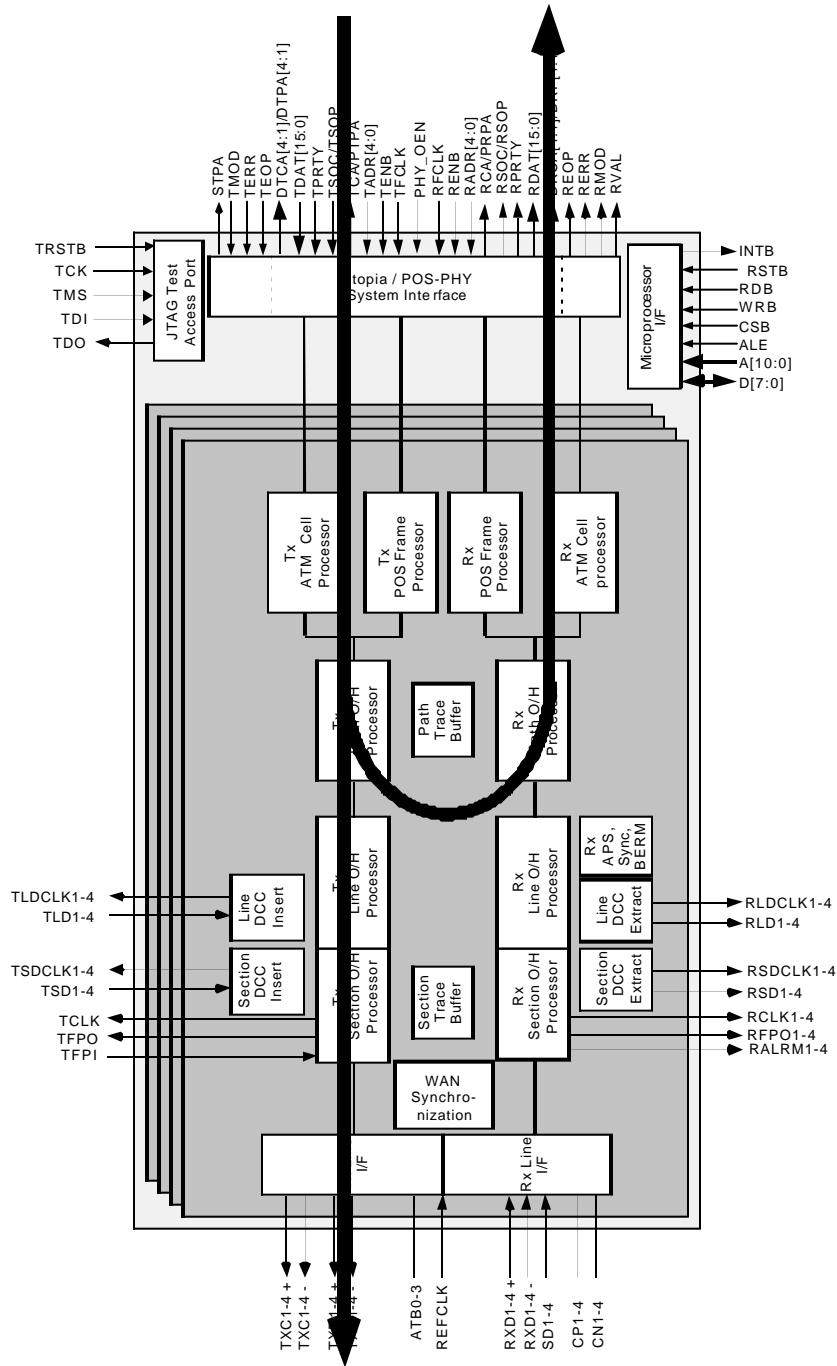


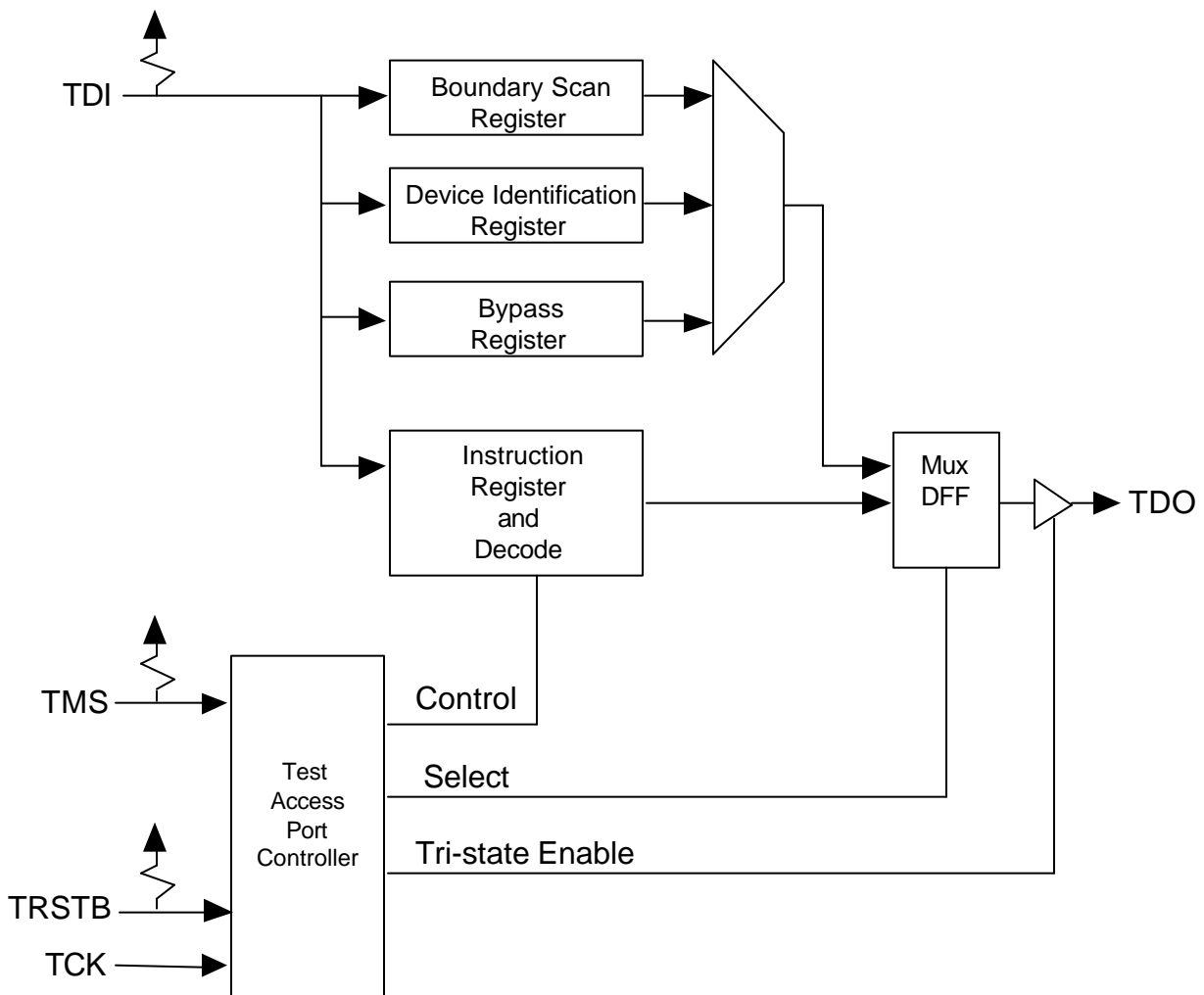
Figure 26: Parallel Diagnostic Loopback Mode



13.7 JTAG Support

The S/UNI-TETRA supports the IEEE Boundary Scan Specification as described in the IEEE 1149.1 standards. The Test Access Port (TAP) consists of the five standard pins, TRSTB, TCK, TMS, TDI and TDO used to control the TAP controller and the boundary scan registers. The TRSTB input is the active-low reset signal used to reset the TAP controller. TCK is the test clock used to sample data on input, TDI and to output data on output, TDO. The TMS input is used to direct the TAP controller through its states. The basic boundary scan architecture is shown below.

Figure 27: Boundary Scan Architecture



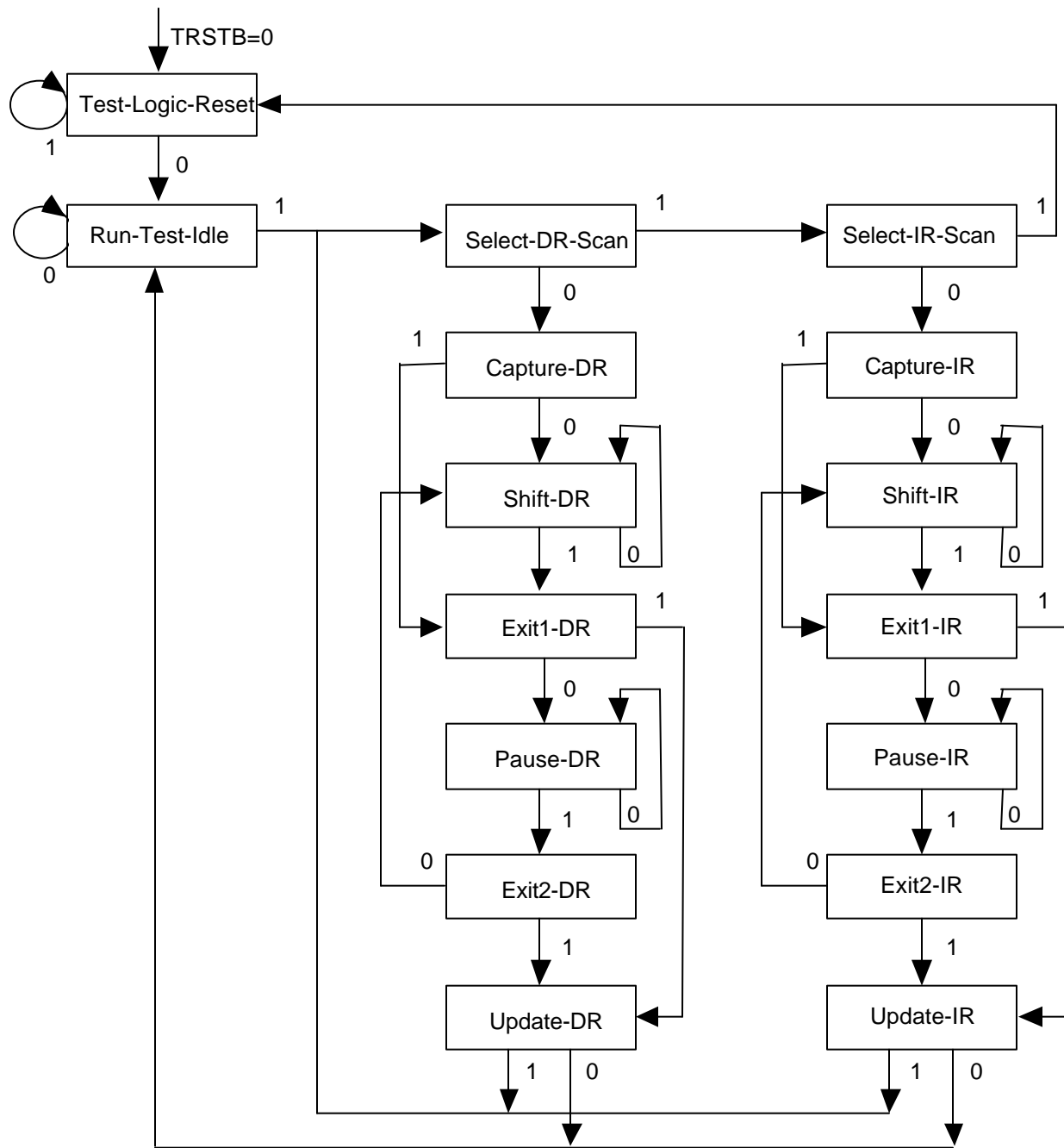
The boundary scan architecture consists of a TAP controller, an instruction register with instruction decode, a bypass register, a device identification register and a boundary scan register. The TAP controller interprets the TMS input and generates control signals to load the instruction and data registers. The instruction register with instruction decode block is used to select the test to be executed and/or the register to be accessed. The bypass register offers a single-bit delay from primary input, TDI to primary output, TDO. The device identification register contains the device identification code.

The boundary scan register allows testing of board inter-connectivity. The boundary scan register consists of a shift register placed in series with device inputs and outputs. Using the boundary scan register, all digital inputs can be sampled and shifted out on primary output, TDO. In addition, patterns can be shifted in on primary input, TDI and forced onto all digital outputs.

13.7.1 TAP Controller

The TAP controller is a synchronous finite state machine clocked by the rising edge of primary input, TCK. All state transitions are controlled using primary input, TMS. The finite state machine is described below.

Figure 28: TAP Controller Finite State Machine



All transitions dependent on input TMS

13.7.1.1 States

Test-Logic-Reset

The test logic reset state is used to disable the TAP logic when the device is in normal mode operation. The state is entered asynchronously by asserting input, TRSTB. The state is entered synchronously regardless of the current TAP controller state by forcing input, TMS high for 5 TCK clock cycles. While in this state, the instruction register is set to the IDCODE instruction.

Run-Test-Idle

The run test/idle state is used to execute tests.

Capture-DR

The capture data register state is used to load parallel data into the test data registers selected by the current instruction. If the selected register does not allow parallel loads or no loading is required by the current instruction, the test register maintains its value. Loading occurs on the rising edge of TCK.

Shift-DR

The shift data register state is used to shift the selected test data registers by one stage. Shifting is from MSB to LSB and occurs on the rising edge of TCK.

Update-DR

The update data register state is used to load a test register's parallel output latch. In general, the output latches are used to control the device. For example, for the EXTEST instruction, the boundary scan test register's parallel output latches are used to control the device's outputs. The parallel output latches are updated on the falling edge of TCK.

Capture-IR

The capture instruction register state is used to load the instruction register with a fixed instruction. The load occurs on the rising edge of TCK.

Shift-IR

The shift instruction register state is used to shift both the instruction register and the selected test data registers by one stage. Shifting is from MSB to LSB and occurs on the rising edge of TCK.

Update-IR

The update instruction register state is used to load a new instruction into the instruction register. The new instruction must be scanned in using the Shift-IR state. The load occurs on the falling edge of TCK.

The Pause-DR and Pause-IR states are provided to allow shifting through the test data and/or instruction registers to be momentarily paused.

Boundary Scan Instructions

The following is a description of the standard instructions. Each instruction selects an serial test data register path between input, TDI and output, TDO.

13.7.1.2 Instructions

BYPASS

The bypass instruction shifts data from input, TDI to output, TDO with one TCK clock period delay. The instruction is used to bypass the device.

EXTEST

The external test instruction allows testing of the interconnection to other devices. When the current instruction is the EXTEST instruction, the boundary scan register is placed between input, TDI and output, TDO. Primary device inputs can be sampled by loading the boundary scan register using the Capture-DR state. The sampled values can then be viewed by shifting the boundary scan register using the Shift-DR state. Primary device outputs can be controlled by loading patterns shifted in through input TDI into the boundary scan register using the Update-DR state.

SAMPLE

The sample instruction samples all the device inputs and outputs. For this instruction, the boundary scan register is placed between TDI and TDO. Primary

device inputs and outputs can be sampled by loading the boundary scan register using the Capture-DR state. The sampled values can then be viewed by shifting the boundary scan register using the Shift-DR state.

IDCODE

The identification instruction is used to connect the identification register between TDI and TDO. The device's identification code can then be shifted out using the Shift-DR state.

STCTEST

The single transport chain instruction is used to test out the TAP controller and the boundary scan register during production test. When this instruction is the current instruction, the boundary scan register is connected between TDI and TDO. During the Capture-DR state, the device identification code is loaded into the boundary scan register. The code can then be shifted out output, TDO using the Shift-DR state.

13.8 Board Design Recommendations

The noise environment and signal integrity are often the limiting factors in system performance. Therefore, the following board design guidelines must be followed in order to ensure proper operation:

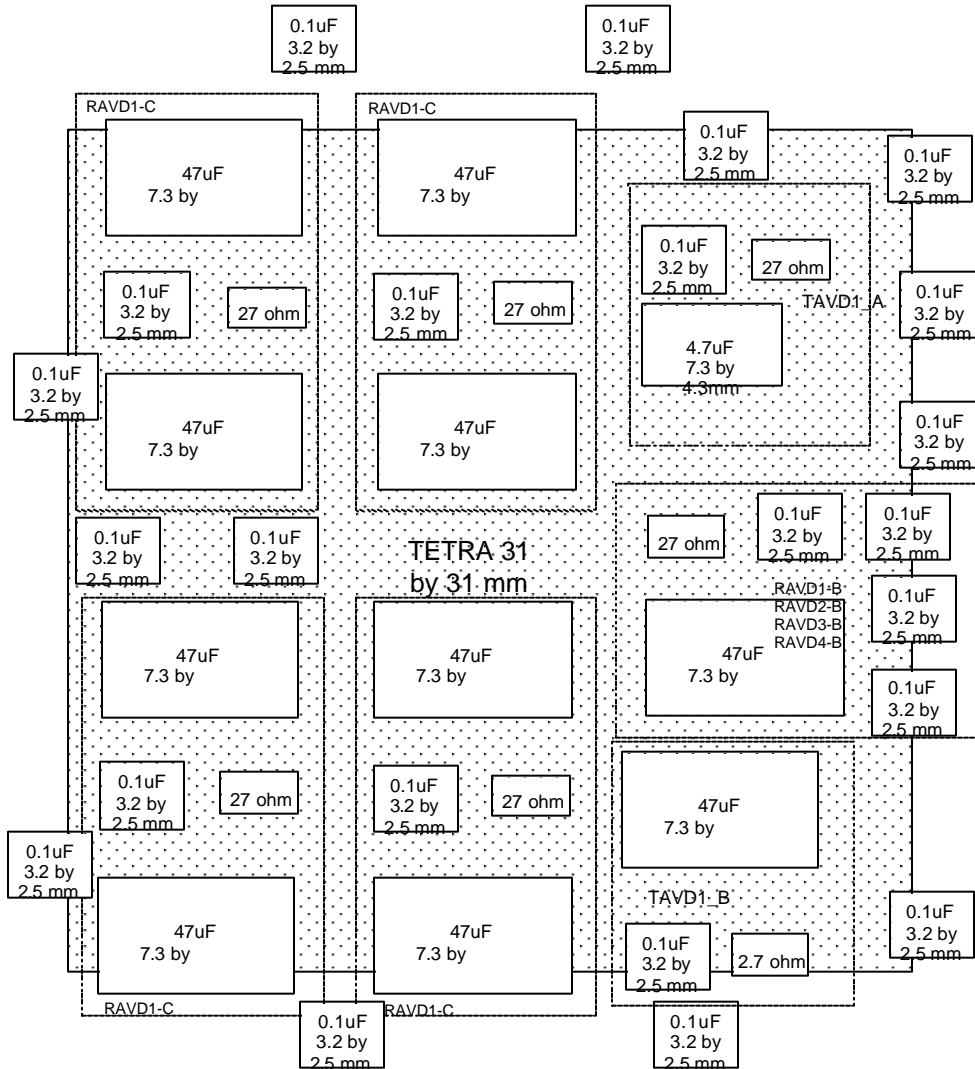
1. Use a single plane for both digital and analog grounds.
2. Provide ~~separate~~ +3.3 volt analogue and analog transmit, +3.3 volt analog receive, and +3.3 volt digital supply with filtering between the power supply rail and the analogue power pins (see Figure 29: WAN Mode Analog Power PIN Passive-Filtering with 3.3V Supply, Figure 30: WAN Mode Analog Power Filters with 3.3V Supply (1) and Figure 31: LAN Mode Analog Power Filters with 3.3V Supply (2))ies, but otherwise connect the supply voltages together at one point close to the connector where +3.3 volts is brought to the card.
3. Ferrite beads are not advisable in digital switching circuits because inductive spiking (di/dt noise) is introduced into the power rail. Simple RC filtering is probably the best approach provided care is taken to ensure the IR drop in the resistance does not lower the supply voltage below the recommended operating voltage.
4. Separate high-frequency decoupling capacitors are recommended for each analog power (TAVD, RAVD and QAVD) pin as close to the package pin as

- possible. Separate decoupling is required to prevent the transmitter from coupling noise into the receiver and to prevent transients from coupling into some reference circuitry.
5. The high speed serial streams (TXD+/- and RXD+/-) must be routed with controlled impedance circuit board traces and must be terminated with a matched load. Normal TTL-type design rules are not recommended and will reduce the performance of the device.

13.9 Analog Power Supply Filtering

The noise environment and signal integrity are often the limiting factors of the system performance. The analog circuitry is particularly susceptible to noise and thus we recommend the following analog power filtering scheme.

Figure 29: WAN Mode Analog Power PIN Passive-Filtering with 3.3V Supply



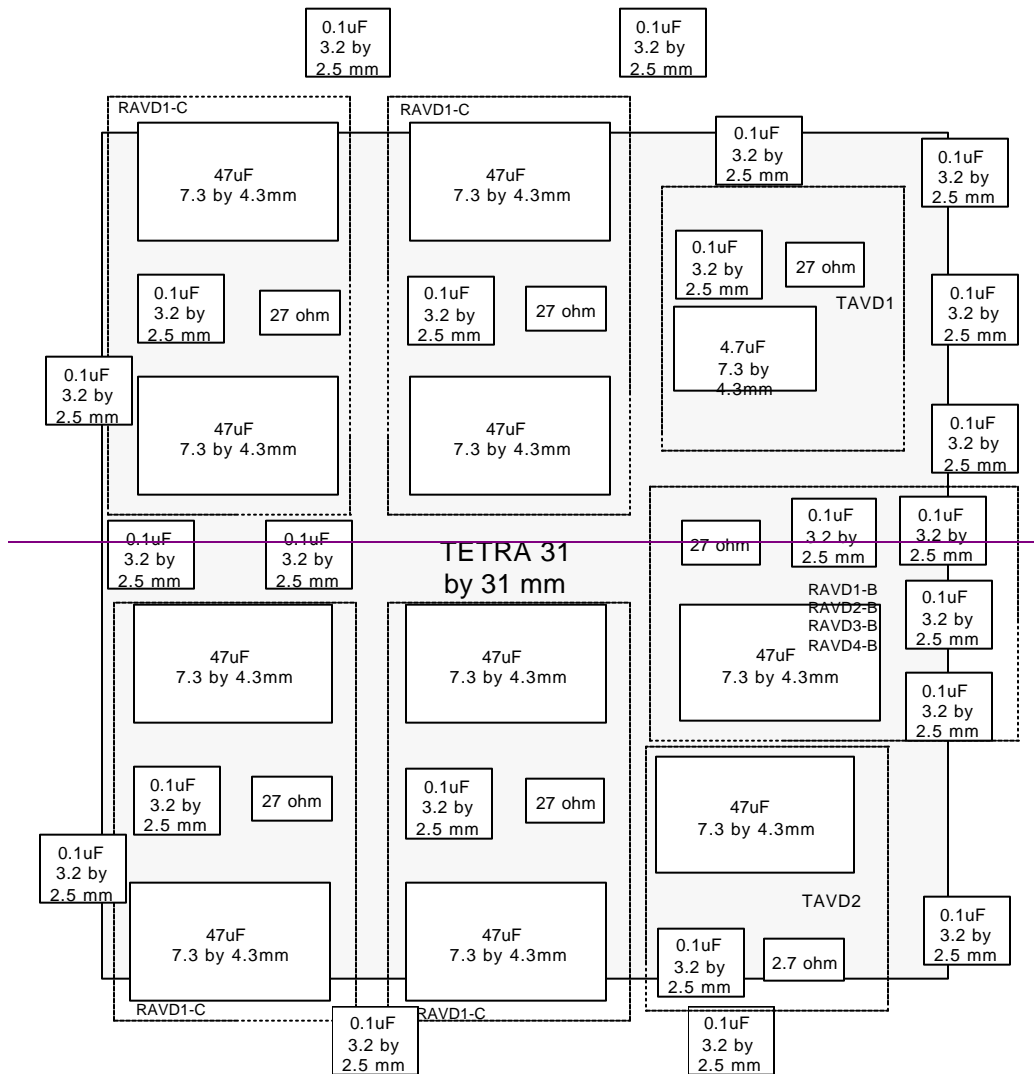
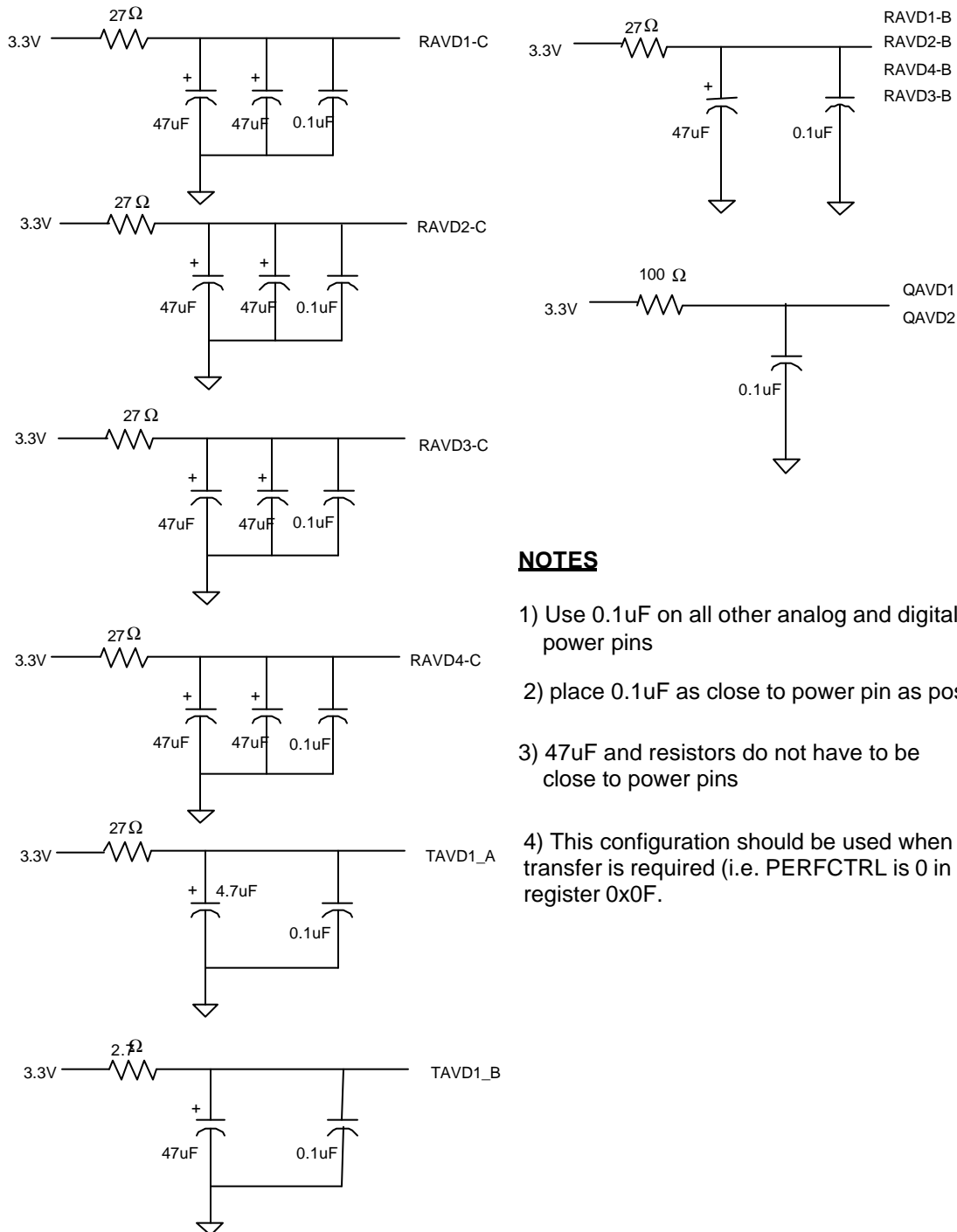


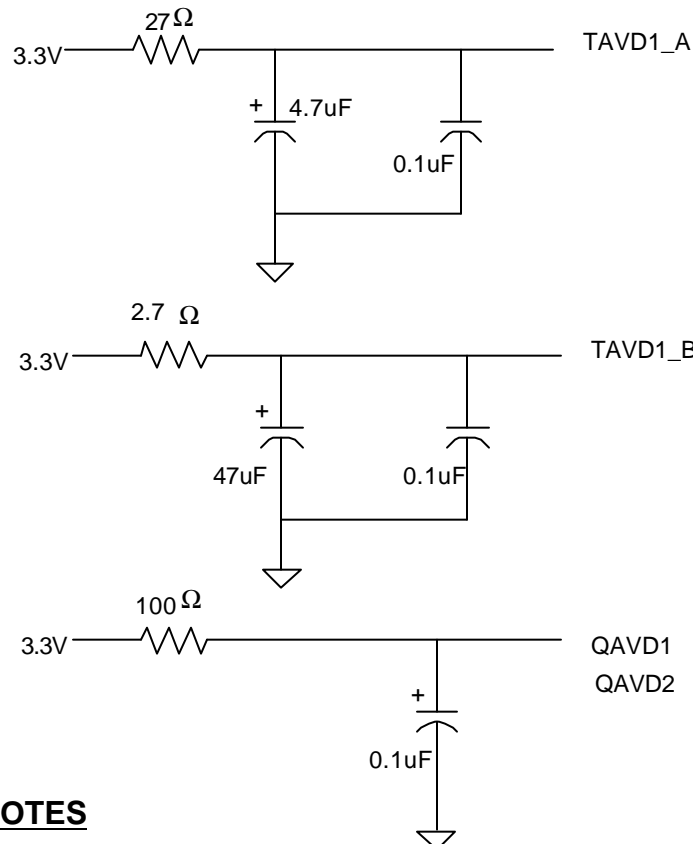
Figure 30: WAN Mode Analog Power Filters with 3.3V Supply (1)



NOTES

- 1) Use 0.1μF on all other analog and digital power pins
- 2) place 0.1μF as close to power pin as possible
- 3) 47μF and resistors do not have to be close to power pins
- 4) This configuration should be used when jitter transfer is required (i.e. PERFCTRL is 0 in register 0x0F).

Figure 31: LAN Mode Analog Power Filters with 3.3V Supply (2)



NOTES

- 1) Use 0.1µF on all other analog and digital power pins
- 2) place 0.1µF as close to power pin as possible.
- 3) 47µF and resistors do not have to be very close to power pins
- 4) This configuration should be used when jitter transfer is NOT required (i.e. PERFCTRL = 1 in register 0x0F)

13.10 Power Supplies Sequencing

Due to ESD protection structures in the pads it is necessary to exercise caution when powering a device up or down. ESD protection devices behave as diodes between power supply pins and from I/O pins to power supply pins. Under extreme conditions it is possible to blow these ESD protection devices or trigger latch up. The recommended power supply sequencing follows:

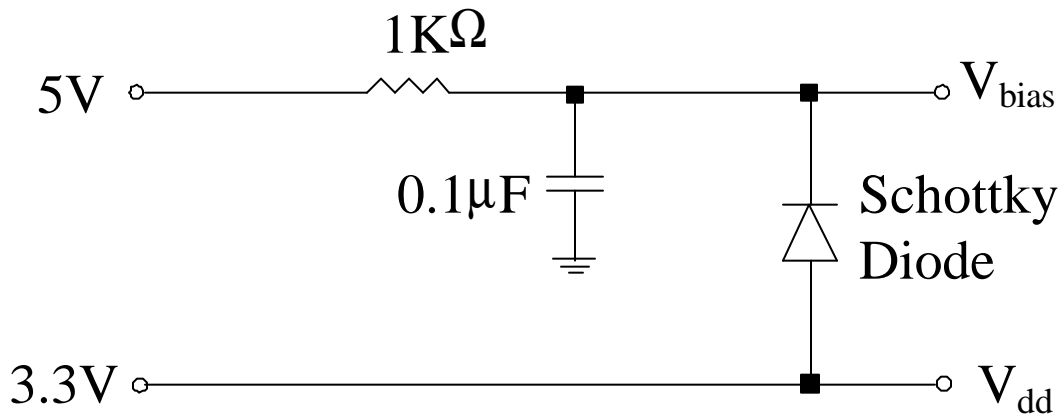
- 1.) To prevent damage to the ESD protection on the device inputs the maximum DC input current specification must be respected. This is

accomplished by either ensuring that the VDD power is applied before input pins are driven or by increasing the source impedance of the driver so that the maximum driver short circuit current is less than the maximum DC input current specification. (20 mA)

- 2.) QAVD power must be supplied either after VDD or simultaneously with VDD to prevent current flow through the ESD protection devices which exist between QAVD and VDD power supplies. To prevent forward biasing the ESD protection diode between QAVD supplies and VDD the differential voltage measured between these power supplies must be less than 0.5 volt. This recommended differential voltage is to include peak to peak noise on the VDD power supply as digital noise will otherwise be coupled into the analog circuitry. Current limiting can be accomplished by using an off chip three terminal voltage regulator supplied by a quiet high voltage supply.
- 3.) BIAS voltage must be supplied either before VDD or simultaneously with VDD to prevent current flow through the ESD protection devices which exist between BIAS and VDD power supplies.
- 4.) Analog power supplies (AVD, includes RAVDs, TAVDs but not QAVD) should be applied after QAVD, but can be applied at the same time as QAVD providing the 100ohm resistor in series with QAVD (shown in Figure 29 and Figure 30) is in place. The AVD supplies should also be current limited to the maximum latchup current specification (100 mA). To prevent forward biasing the ESD protection diode between AVD supplies and QAVD the differential voltage measured between these power supplies must be less than 0.5 volt. This recommended differential voltage is to include peak to peak noise on the QAVD and AVD power supplies as digital noise will otherwise be coupled into the analog circuitry. Current limiting can be accomplished by using an off chip three terminal voltage regulator supplied by a quiet high voltage supply. If the VDD power supply is relatively quiet, VDD can be filtered using a ferrite bead and a high frequency decoupling capacitor to supply AVD. The relative power sequencing of the multiple AVD power supplies is not important.
- 5.) Power down the device in the reverse sequence. Use the above current limiting technique for the analog power supplies. Small offsets in VDD / AVD discharge times will not damage the device.

Figure 32 illustrates a power sequencing circuit to avoid latch-up or damage to 3.3V devices that are 5V tolerant. This circuit will ensure V_{bias} is greater than V_{dd} and protect against designs which require the 3.3V power supply appearing before the 5V supply. The Schottky diode shown on Figure 32 is optional.

Figure 32: Power Sequencing Circuit



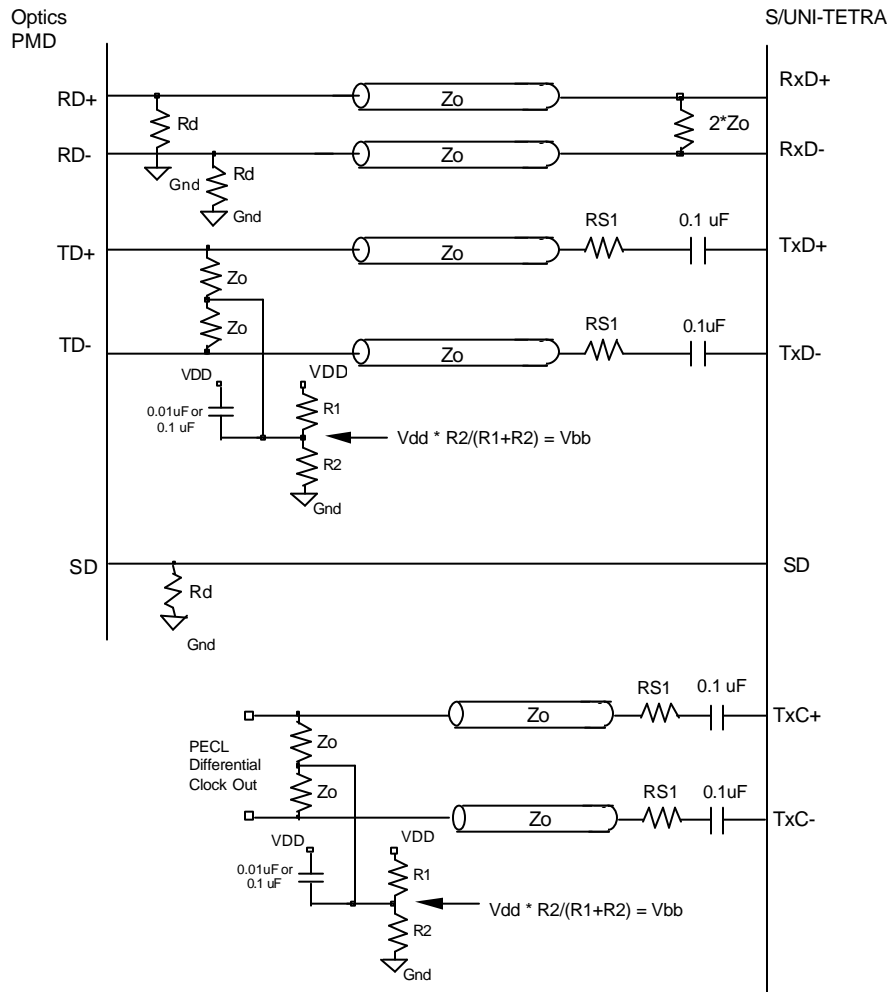
13.11 Interfacing to ECL or PECL Devices

Although the TXD+/- and TXC+/- outputs are TTL compatible, only a few passive components are required to convert the signals to ECL (or PECL) logic levels. Figure 33 illustrates the recommended configuration. The capacitors AC couple the outputs so that the ECL inputs are free to swing around the ECL bias voltage (V_{BB}). The combination of the RS, RS1 and Z0 resistors divide the voltage down to a nominally 800mV swing. The Z0 resistors also terminate the signals.

The RXD+/- inputs to the S/UNI-TETRA are DC coupled as shown. The device has a true PECL receiver so only termination resistors are required.

Ceramic coupling capacitors are recommended.

Figure 33: Interfacing to ECL or PECL



Notes: V_{pp} is minimum input swing required by the optical PMD device.

V_{bb} is the switching threshold of the PMD device (typically $V_{dd} - 1.3$ volts)

V_{pp} is $V_{oh} - V_{ol}$ (typically 800 mVolts)

$V_{pp} = (Z_o / ((R_{S1} + R_s) + Z_o)) * V_{dd}$

- V_{dd} (S/UNI-TETRA's analog transmit power) 3.3V
- Z_o (trace impedance) typically 50Ω
- R_s (TxD source impedance) typically $15-20\Omega$
- $R_{S1} : \sim 158\Omega$

For interfacing to 5.0V ODL, $R_1 : 237\Omega$, $R_2 : 698\Omega$
 $R_d : 330\Omega$

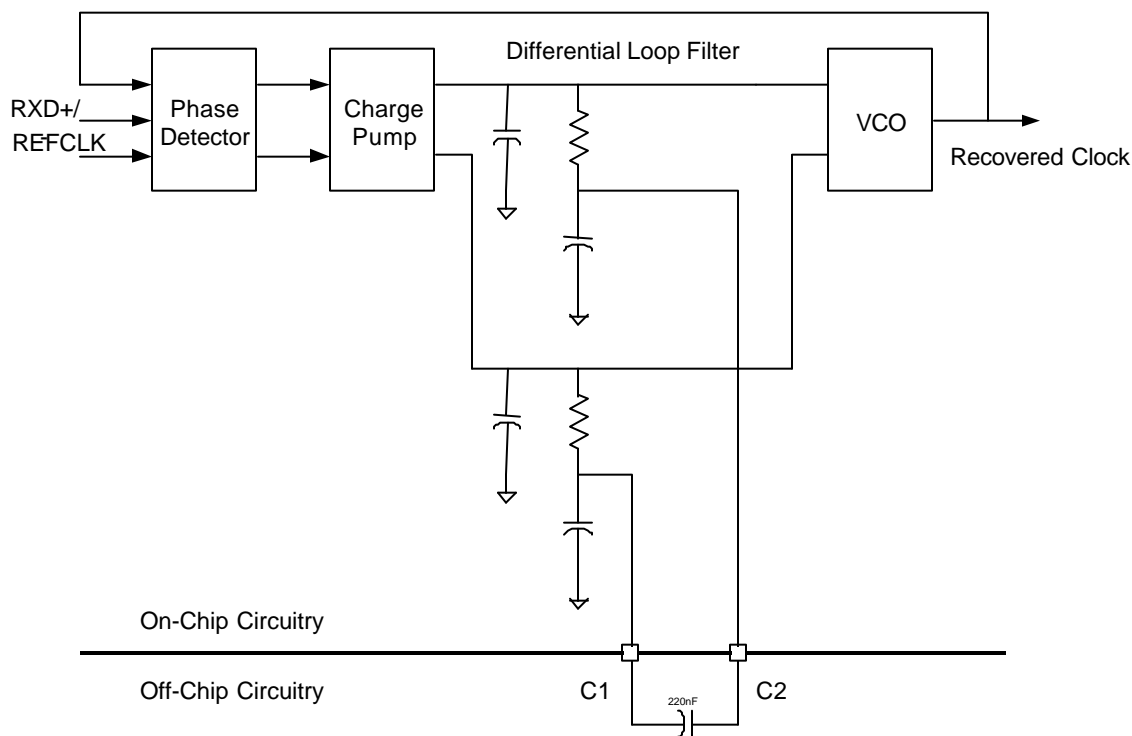
For interfacing to 3.3V ODL, $R_1 : 220\Omega$, $R_2 : 330\Omega$
 $R_d : 150\Omega$

13.12 Clock Recovery Loop Filter

In order to meet jitter transfer requirements for WAN applications, the clock recovery unit requires an external 220nF X7R 10% ceramic loop capacitor. This capacitor is placed across pins C1 and C2 in close proximity to the chip pins.

The external loop filter capacitor is used as a floating capacitor which means that neither of C1 and C2 is grounded. Figure 34 is an abstraction of the clock recovery phase lock loop illustrating the connections to external components.

Figure 34: Clock Recovery External Components



13.13 Setting the S/UNI-TETRA in ATM Mode

The S/UNI-TETRA defaults to the Asynchronous Transfer Mode (ATM) operation but it is recommended to implement the following initialization sequence.

1. Reset the device. This can be done by asserting the RSTB pin or setting the RESET bit in the Master Reset and ID Register (Register 00).

2. Set the S/UNI-TETRA in ATM mode by setting to logic 0 the ATM_POS bit in the Master System Interface Control register (Register 02). It is also recommended to set the TPOP Path Signal Label (Register 0x48) to 0x13, which indicates an ATM payload.
3. For every channel, reset all the Rx and Tx ATM FIFO's by setting the FIFORST register bit in the TXCP and RXCP blocks. Keep this bit set for at least 1 μ s, then set the bit back to its inactive logic zero value.
4. For every channel, reset the performance monitoring counters in TXCP and RXCP blocks, and preferably in all the blocks. The easiest way to do this is to use the TIP register bit.
5. It is suggested to set the H4INSB bit in register TXCP_50 Cell Count Status/Configuration Options (Register 0x82) to logic one. In most applications, where cell delineation is accomplished using the HCS byte, it is more appropriate to set the H4 bytes to 0x00 rather than the cell offset.

13.14 Setting the S/UNI-TETRA in POS Mode

The S/UNI-TETRA defaults to the Asynchronous Transfer Mode (ATM) operation. The following sequence of operation should be used to prepare the device for the Packet over SONET/SDH (POS) operation.

1. Reset the device. This can be done by asserting the RSTB pin or setting the RESET bit in the Master Reset and ID Register (Register 00).
6. Set the S/UNI-TETRA in POS mode by setting to logic 1 the ATM_POS bit in the Master System Interface Control register (Register 02). It is also recommended to set the TPOP Path Signal Label (Register 0x48) to 0x16 which indicates a scrambled POS payload, 0xCF which indicates a non-scrambled POS payload, whatever is appropriate.
7. For every channel, reset all the Rx and Tx POS FIFO's by setting the FIFORST register bit in the TXFP and RXFP blocks. Keep this bit set for at least 1 μ s, then set the bit back to its inactive logic zero value.
8. For every channel, reset the performance monitoring counters in TXFP and RXFP blocks, and preferably in all the blocks. The easiest way to do this is to use the TIP register bit.

13.15 Setting the S/UNI-TETRA for SONET or SDH Applications

The SONET and SDH standards for optical networking are very similar, with only minor differences in overhead processing. The main difference between the SONET and SDH standards lies in the handling of some of the overhead bytes. Other details, like framing, and data payload mappings are equivalent in SONET and SDH. By default, PMC's S/UNI TETRA powers up in SONET mode. However, it can be configured to operate in SDH mode.

The bit error rate (BER) monitoring requirements are also slightly different between Bellcore GR-253-CORE (SONET) and ITU.707 (SDH). An application note, PMC-950820, explains in detail the different parameters for the RASE block.

The list below shows the various register settings to configure the TETRA for either SONET or SDH mode

Table 18 – Settings for SONET or SDH Applications

Configuration Bit	SONET	SDH
ZOINS ¹	0	X
ENSS (0x3D) ²	0	1
LEN16 (Path, 0x28) ³	0	1
LEN16 (Section, 0x50) ³	0	1
S[1:0] (0x46) ⁴	00	10

Notes:

- 1 - SONET requires Z0 bytes to be set to the number corresponding to the STS-1 column number. SDH consider those bits as reserved.
- 2 - SDH specification requires the detection of SS bits to be "10"
- 3 - SONET uses 64 bytes message/SDH uses 16 bytes message
- 4 - SS is undefined for SONET but must be set to "10" for SDH

13.16 Using the S/UNI-TETRA with a 5 Volt ODL

The S/UNI-TETRA defaults to a 3.3V PECL optical data link (ODL) module interface. It can also be used with a 5V ODL. This is accomplished by setting to logic 1 the PECLV bit located in the Master Configuration Register (Register 0x01). Notice that all four channels are reconfigured.

14 FUNCTIONAL TIMING

All functional timing diagrams assume that polarity control is not being applied to input and output data and clock lines (i.e. polarity control bits in the S/UNI-TETRA registers are set to their default states).

14.1 ATM Utopia Level 2 System Interface

Figure 35: Multi-PHY Polling and Addressing Transmit Cell Interface

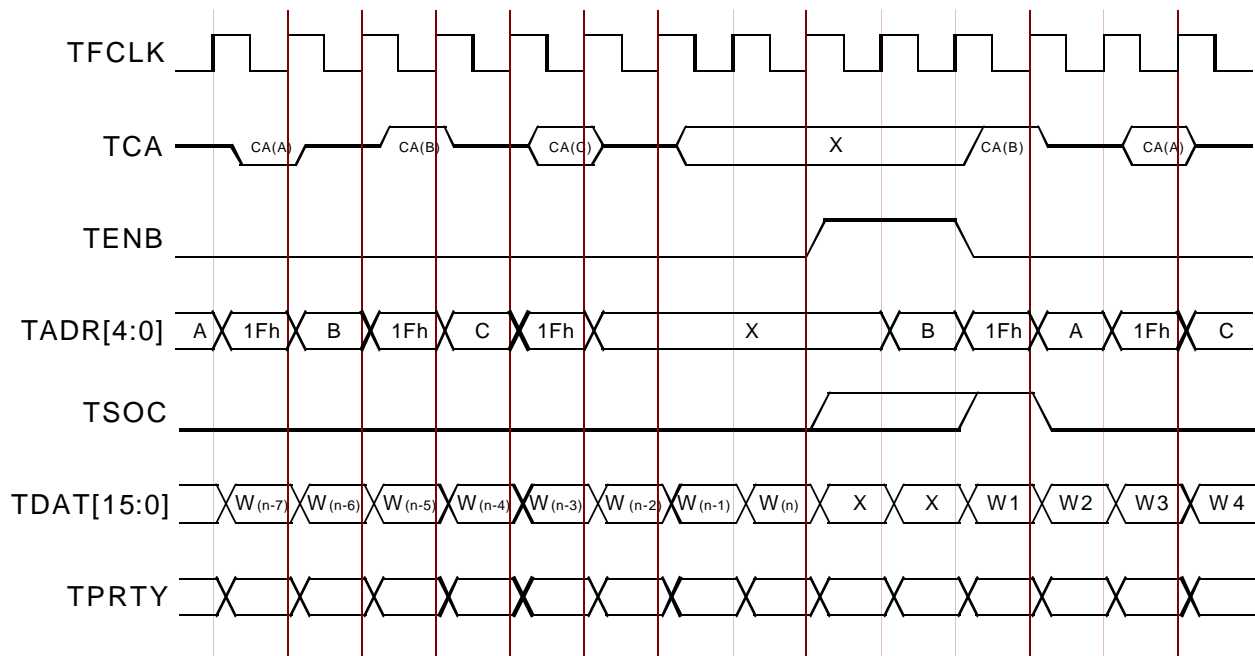


Figure 66 is an example of the multi-PHY polling and selection sequence supported by the S/UNI-TETRA. "A", "B", and "C" represent any arbitrary address values of PHY devices which may be occupied by the S/UNI-TETRA. The ATM Layer device is not restricted in its polling order. The PHY associated with address "A" indicates it cannot accept a cell, but PHY "B" indicates it is willing to accept a cell. As a result, the ATM Layer places address "B" on TADR[4:0] the cycle before TENB is asserted to select PHY "B" as the next cell destination. In this example, the PHY "C" status is ignored. The ATM Layer device is not constrained to select the latest PHY polled. As soon as the cell transfer is started, the polling process may be restarted.

During multi-PHY operation, several PHY layer devices share the TCA signal. As a result, this signals must be tri-stated in all PHY devices which have not been selected for polling by the ATM Layer. The value of TADR[4:0] selects the PHY being polled for the TCA signal, and all devices not corresponding to this address must tri-state its TCA output. This multi-PHY operation is directly supported by the S/UNI-TETRA.

Figure 36: Multi-PHY Polling and Addressing Receive Cell Interface

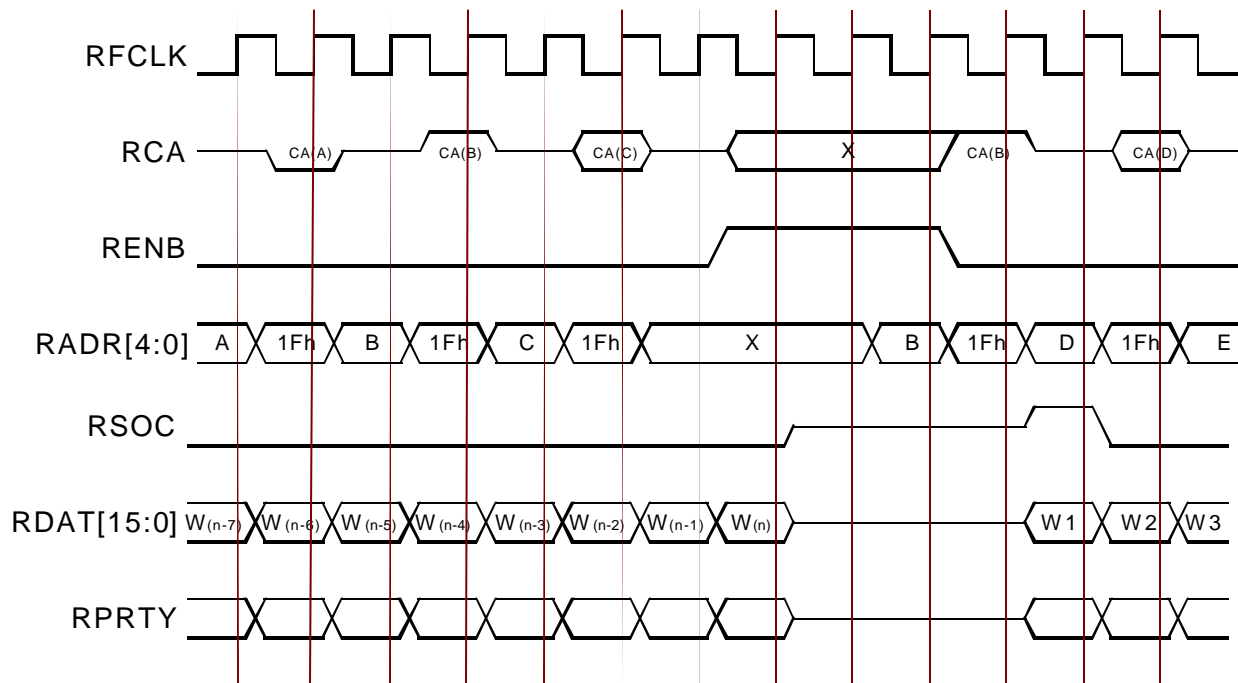


Figure 67 shows an example of the multi-PHY polling and selection sequence supported by the S/UNI-TETRA. "A", "B", "C", "D", and "E" represent any arbitrary address values which may be occupied by the S/UNI-TETRA. The ATM Layer device is not restricted in its polling order. The PHY associated with address "A" indicates it does not have a cell available, but PHY "B" indicates that it does. As a result, the ATM Layer places address "B" on RADR[4:0] the cycle before RENB is asserted to select PHY "B" as the next cell source. In this example, PHY "C"s status is ignored. The ATM Layer device is not constrained to select the latest PHY polled. As soon as the cell transfer is started, the polling process may be restarted.

During multi-PHY operation, several PHY layer devices share the RDAT[15:0], RSOC, RPRTY, and RCA signals. As a result, these signals must be tri-stated in all PHY devices which have not been selected for reading or polling by the ATM

Layer. Selection of which PHY layer device is being read is made by the value on RADR[4:0] the cycle before RENB is asserted and affects the RDAT[15:0], RSOC, and RPRTY signals. The value of RADR[4:0] selects the PHY being polled for the RCA signal, and all devices not corresponding to this address must tri-state its RCA output. These multi-PHY operations are directly supported by the S/UNI-TETRA.

14.2 Packet over SONET/SDH (POS) System Interface

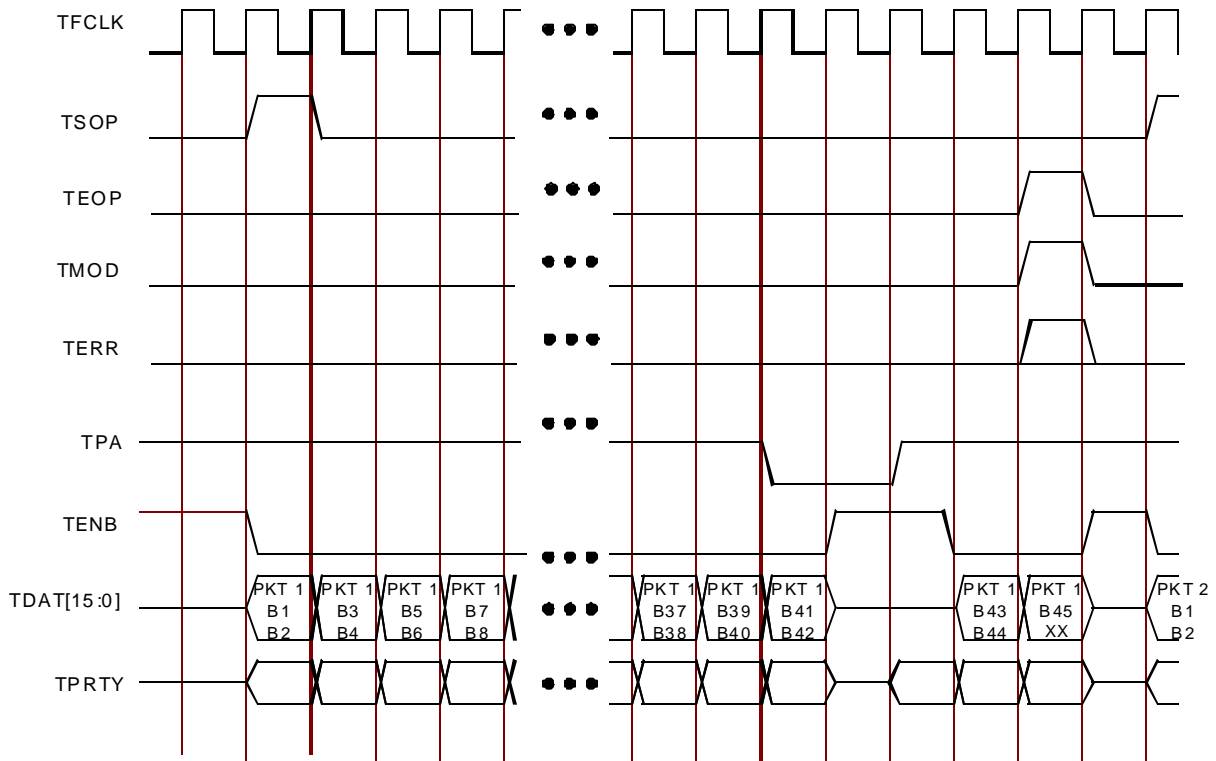
The Packet over SONET/SDH (POS) System Interface is compatible with the POS-PHY Level 2 specification (see References). The S/UNI-TETRA supports both the byte level and packet level transfer modes of POS-PHY. The Packet over SONET/SDH System interface supports two modes of operation. The system interface can perform a byte-level transfer and a packet-level transfer, as selected by Master Configuration register POS_PLVL bit. Packet level transfer operates the same way Utopia level 2 does, with PHY polling and PHY selection. Byte-level transfer is illustrated below. In that mode, direct status indication is provided and the PHY address is looked at every cycle to determine which PHY is being selected. There is no selection phase and no polling. This mode should be more suitable for most applications.

The POS Transmit Synchronous FIFO Timing Diagram (Figure 37) illustrates the operation of the system side transmit FIFO interface. Assertion of the transmit packet available output, TPA, indicate that there is space available in the transmit FIFO. Deassertion of TPA occurs when the FIFO is filled to the depth indicated by the register TPAHWM[7:0]. The exact octet that triggers the deassertion of TPA depends on the particular timing relationship between the internal SONET/SDH clock and TFCLK, and for that reason is not precise. However the TXFP is always conservative, thus when DTPA is deasserted there is for sure not more than TPAHWM[7:0] bytes in the FIFO. If DTPA is asserted and the upstream is ready to write a byte, the upstream device should assert TENB. At anytime, if the upstream does not have a byte to write, it must deassert TENB. In addition, the register bit TPAINV can be used to invert the meaning of DTPA.

TSOP must be high during the first word of the packet and must be present (reasserted) for each packet. TEOP must be high during the last packet word. During a packet transfer every word must be composed of two bytes and TMOD shall be high. It is only for the last packet word that TMOD is used to determine if this word is composed of one or two bytes. It is legal to assert TSOP and TEOP at the same time. This happens when a 1-byte or a 2-byte packet is transferred. When TSOP is asserted and the previous word transfer was not marked with TEOP, the Input Interface realigns itself to the new timing, and the previous packet is marked to be aborted.

The byte-level transfer mode is intended to simplify the bus protocol and improve throughput by avoiding the PHY selection cycles required in packet-level transfer mode. Skipping the PHY selection cycle will work reliably only if the POS-PHY bus is a point to point bus; that is connecting a single Link Layer device to a single PHY Layer device. This is a typical application for the S/UNI-TETRA as it uses most of the bandwidth on a Utopia Level 2 interface. As an alternative, the system integrator can build the Link Layer device such that it forces the Null PHY address for one cycle whenever TADR[4:0] or RADR[4:0] changes, inserting a single dead cycle during which the bus is tristated. Although more complex, packet-level transfer may offer a solution when multiple PHY's are implemented within several integrated circuits. Furthermore, the packet-level transfer configuration scales with fewer pins than byte-level transfer as the number of PHY increases.

Figure 37: Transmit POS System Interface Timing

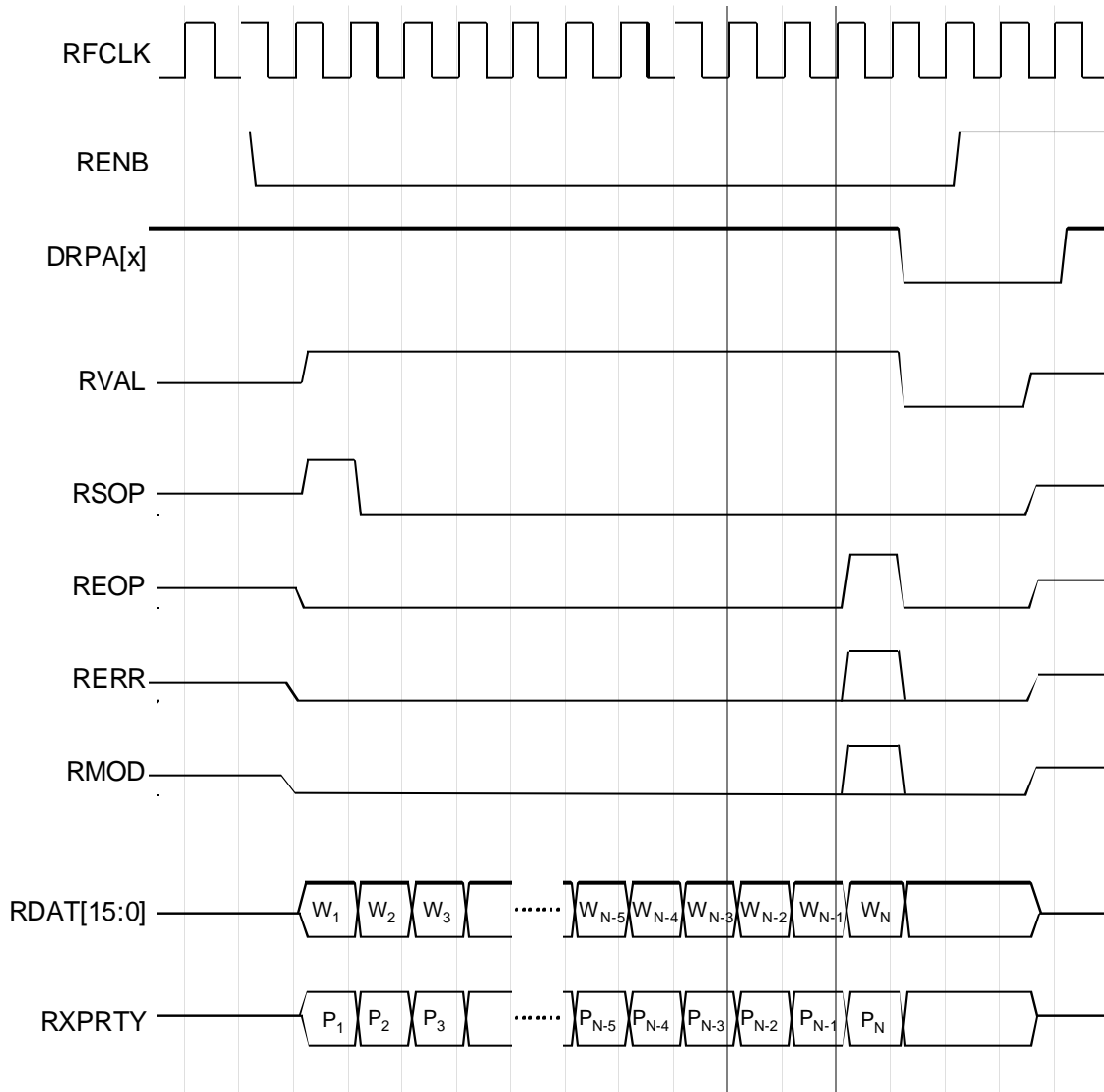


The POS Receive Synchronous FIFO Timing Diagram of Figure 38 illustrates the operation of the system side receive interface. The RXFP indicates that the FIFO level is above the high water mark or that the end of a packet is available by asserting the receive packet available output, DRPA. When a channel is selected, RVAL qualifies the data coming from the receive POS-PHY interface.

The RVAL signal will de-assert after the transmission of a REOP flag or when the FIFO empty. Once the RVAL signal de-asserts, it can not re-assert before the channel is de-selected. The DRPA signal may assert and de-assert meanwhile in conformity with the FIFO level, the water mark and the presence of end of packet in the FIFO.

RSOP is high during the first word of the packet. REOP is high during the last packet word. During a packet transfer every word must be composed of two bytes. It is only for the last packet word that RMOD is used to determine if this last word is composed of one or two bytes. It is legal to assert RSOP and REOP at the same time. This happens when a 1-byte or a 2-byte packet is transferred. Packets that were subject to an error (aborted, length violation, FIFO overrun, etc) will be marked by RERR high during the last word transfer.

Figure 38: Receive POS System Interface



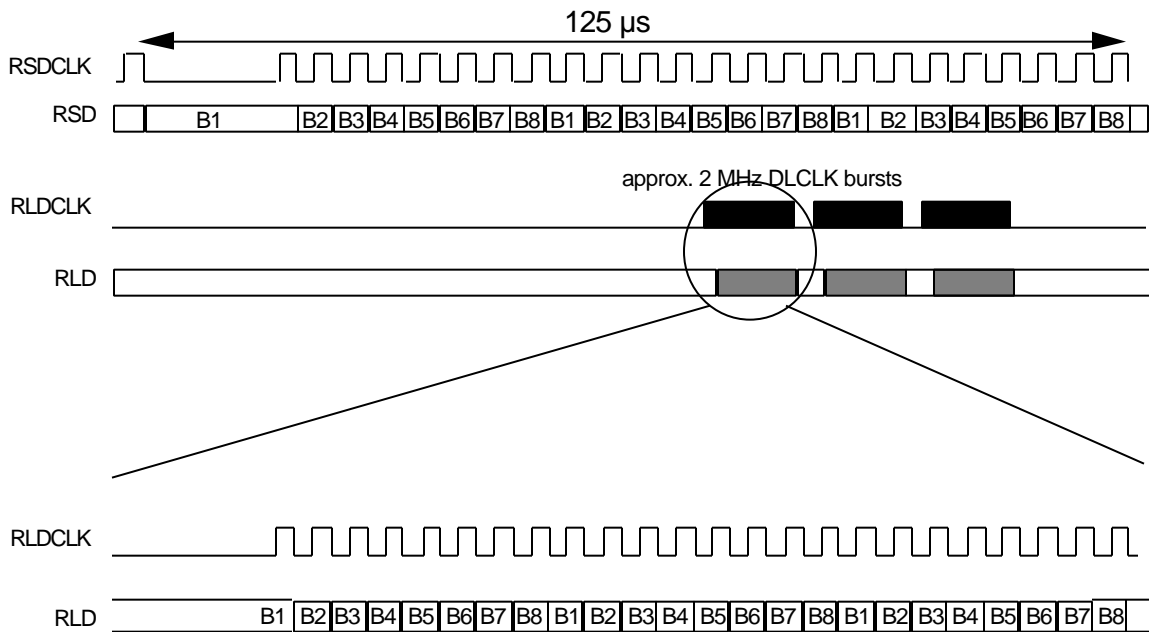
More information can be found on the POS-PHY bus interface by referring to the POS-PHY Level 2 specification.

14.3 Section and Line Data Communication Channels

The Transport Overhead Data Link Clock and Data Extraction timing diagram (Figure 39) shows the relationship between the RSD, and RLD serial data outputs, and their associated clocks, RSDCLK and RLDCLK. RSDCLK is a 216 kHz, 50% duty cycle clock that is gapped to produce a 192 kHz nominal rate.

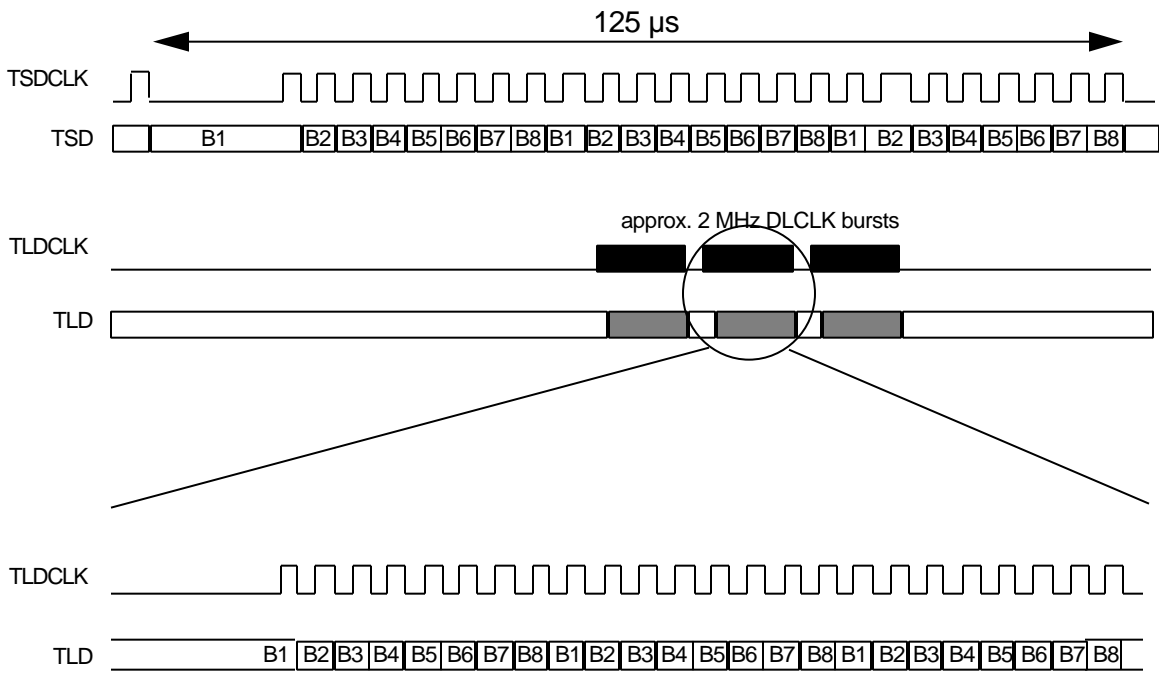
RLDCLK is a 2.16 MHz, 67%(high)/33%(low) duty cycle clock that is gapped to produce a 576 kHz nominal rate. RSD (RLD) is updated on the falling RSDCLK (RLDCLK) edge. The D1-D3, and D4-D12 bytes shifted out of the S/UNI-TETRA in the frame shown are extracted from the corresponding receive line overhead channels in the previous frame.

Figure 39: Transport Overhead Data Link Clock and Data Extraction



The Transport Overhead Data Link Clock and Data Insertion timing diagram (Figure 40) shows the relationship between the TSD, and TLD serial data inputs, and their associated clocks, TSDCLK and TLDCLK respectively. TSDCLK is a 216 kHz, 50% duty cycle clock that is gapped to produce a 192 kHz nominal rate. TLDCLK is a 2.16 MHz, 67%(high)/33%(low) duty cycle clock that is gapped to produce a 576 kHz nominal rate. TSD (TLD) is sampled on the rising TSDCLK (TLDCLK) edge. The D1-D3, and D4-D12 bytes shifted into the S/UNI-TETRA in the frame shown are inserted in the corresponding transport overhead channels in the following frame.

Figure 40: Transport Overhead Data Link Clock and Data Insertion



15 ABSOLUTE MAXIMUM RATINGS

Maximum ratings are the worst case limits that the device can withstand without sustaining permanent damage. They are not indicative of normal mode operation conditions.

Table 19: Absolute Maximum Ratings

Ambient Temperature under Bias	-40°C to +85°C
Storage Temperature	-40°C to +125°C
Supply Voltage	-0.3V to +4.6V
Bias Voltage (V_{BIAS})	($V_{DD} - .3$) to +5.5V
Voltage on Any Pin	-0.3V to $V_{BIAS}+0.3V$
Static Discharge Voltage	± 1000 V
Latch-Up Current	± 100 mA
DC Input Current	± 20 mA
Lead Temperature	+230°C
Absolute Maximum Junction Temperature	+150°C

16 D.C. CHARACTERISTICS

$T_A = -40^{\circ}\text{C}$ to $+85^{\circ}\text{C}$, $V_{DD} = 3.3\text{V} \pm 10\%$, $V_{DD} < \text{BIAS} < 5.5\text{V}$
(Typical Conditions: $T_A = 25^{\circ}\text{C}$, $V_{DD} = 3.3\text{V}$, $V_{BIAS} = 5\text{V}$)

Table 20: D.C Characteristics

Symbol	Parameter	Min	Typ	Max	Units	Conditions
V_{DD}	Power Supply	2.97	3.3	3.63	Volts	
BIAS	5V Tolerant Bias	V_{DD}	5.0	5.5	Volts	
V_{IL}	Input Low Voltage (TTL Only)	0		0.8	Volts	Guaranteed Input Low voltage.
V_{PIL}	Input Low Voltage (PECL Only)	A_{VD} - 1.8		A_{VD} - 1.6	Volts	Guaranteed Input Low voltage.
V_{IH}	Input High Voltage (TTL Only)	2.0			Volts	Guaranteed Input High voltage.
V_{PIH}	Input High Low Voltage (PECL Only)	A_{VD} -1.0		A_{VD} -0.8	Volts	Guaranteed Input High voltage.
V_{OL}	Output or Bi-directional Low Voltage			0.4	Volts	Guaranteed output Low voltage at $V_{DD}=2.97\text{V}$ and I_{OL} =maximum rated for pad. Note 4.
V_{OH}	Output or Bi-directional High Voltage	2.4			Volts	Guaranteed output High voltage at $V_{DD}=2.97\text{V}$ and I_{OH} =maximum rated current for pad. Note 4.
V_{T+}	Reset Input High Voltage	2.0			Volts	Applies to RSTB and TRSTB only.
V_{T-}	Reset Input Low Voltage			0.8	Volts	Applies to RSTB and TRSTB only.
V_{TH}	Reset Input Hysteresis Voltage		0.4		Volts	Applies to RSTB and TRSTB only.

I_{ILPU}	Input Low Current	-100	-50	-4	μA	$V_{IL} = GND$. Notes 1 and 3.
I_{IHPU}	Input High Current	-10	0	+10	μA	$V_{IH} = V_{DD}$. Notes 1 and 3.
I_{IL}	Input Low Current	-10	0	+10	μA	$V_{IL} = GND$. Notes 2 and 3.
I_{IH}	Input High Current	-10	0	+10	μA	$V_{IH} = V_{DD}$. Notes 2 and 3.
$I_{IL PECL}$	Input Low Current	-10	0	+100	μA	PECL inputs only. Note 3
$I_{IH PECL}$	Input High Current	-100	0	+10	μA	PECL inputs only. Note 3
C_{IN}	Input Capacitance		5		pF	$t_A=25^{\circ}C$, $f = 1$ MHz
C_{OUT}	Output Capacitance		5		pF	$t_A=25^{\circ}C$, $f = 1$ MHz
C_{IO}	Bi-directional Capacitance		5		pF	$t_A=25^{\circ}C$, $f = 1$ MHz
I_{DDOP1}	Operating Current (Case 1 including all four channels)		350	530	mA	$V_{DD} = 3.63V$ for max, 3.3V for typical, outputs unloaded (ATM mode) with TXC disabled
I_{DDOP2}	Operating Current (Case 2 including all four channels)		410	570	mA	$V_{DD} = 3.63V$ for max, 3.3V for typical, outputs unloaded (ATM mode) with TXC enabled
I_{DDOP3}	Operating Current (Case 3 including all four channels)		560	720	mA	$V_{DD} = 3.63V$ for max, 3.3V for typical, outputs unloaded (POS mode) with TXC disabled
I_{DDOP4}	Operating Current (Case 4 including all four channels)		620	770	mA	$V_{DD} = 3.63V$ for max, 3.3V for typical, outputs unloaded (POS mode) with TXC enabled

Notes on D.C. Characteristics:

1. Input pin or bi-directional pin with internal pull-up resistor.
2. Input pin or bi-directional pin without internal pull-up resistor
3. Negative currents flow into the device (sinking), positive currents flow out of the device (sourcing).

4. Refer to the footnotes at the bottom of the PIN DESCRIPTION table for the DC current rating of each device output.

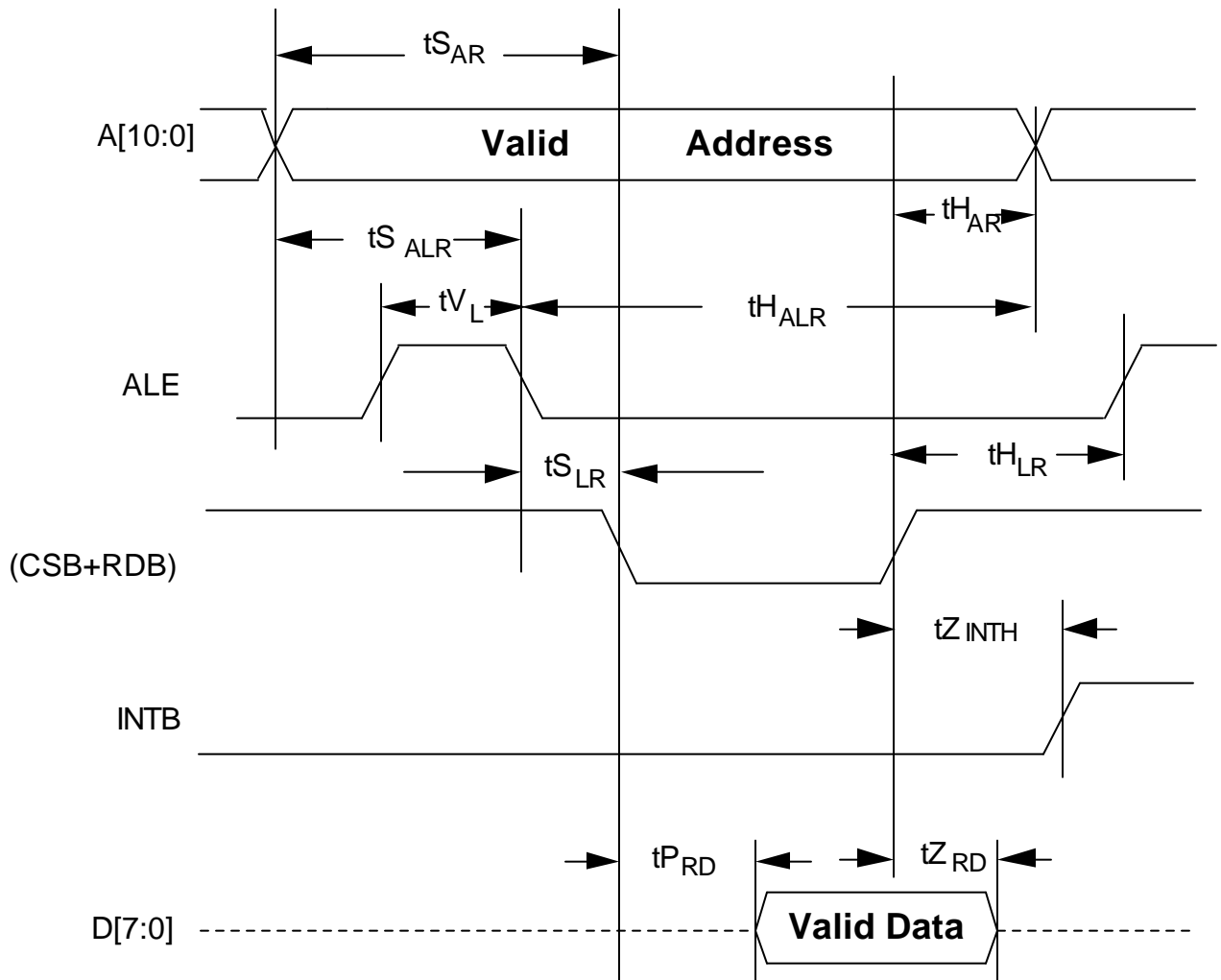
17 MICROPROCESSOR INTERFACE TIMING CHARACTERISTICS

($T_C = -40^{\circ}\text{C}$ to $+85^{\circ}\text{C}$, $V_{DD} = 3.3\text{V} \pm 10\%$)

Table 21: Microprocessor Interface Read Access (Figure 41)

Symbol	Parameter	Min	Max	Units
t _{SAR}	Address to Valid Read Set-up Time	10		ns
t _{HAR}	Address to Valid Read Hold Time	5		ns
t _{SALR}	Address to Latch Set-up Time	10		ns
t _{HALR}	Address to Latch Hold Time	10		ns
t _{VL}	Valid Latch Pulse Width	5		ns
t _{SLR}	Latch to Read Set-up	0		ns
t _{HLR}	Latch to Read Hold	5		ns
t _{PRD}	Valid Read to Valid Data Propagation Delay		70	ns
t _{ZRD}	Valid Read Negated to Output Tri-state		20	ns
t _{ZINTH}	Valid Read Negated to Output Tri-state		50	ns

Figure 41: Microprocessor Interface Read Timing



Notes on Microprocessor Interface Read Timing:

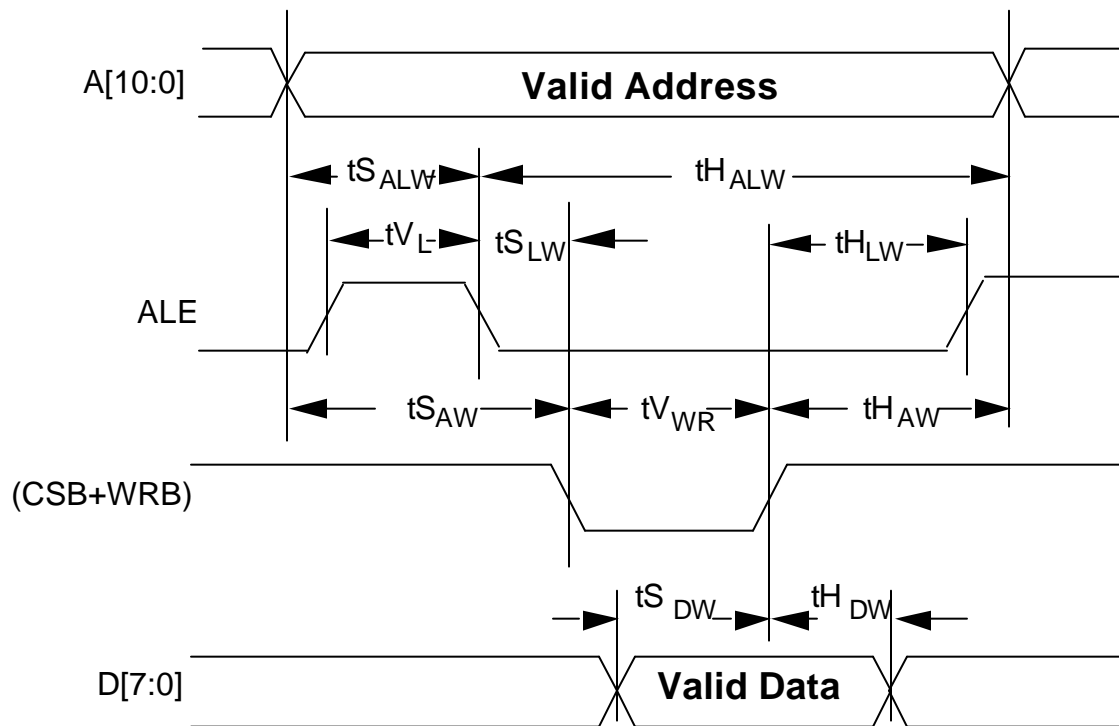
1. Output propagation delay time is the time in nanoseconds from the 1.4 Volt point of the reference signal to the 1.4 Volt point of the output.
2. Maximum output propagation delays are measured with a 100 pF load on the Microprocessor Interface data bus, (D[7:0]).
3. A valid read cycle is defined as a logical OR of the CSB and the RDB signals.
4. In non-multiplexed address/data bus architectures, ALE should be held high so parameters $t_{S_{ALR}}$, $t_{H_{ALR}}$, t_{V_L} , $t_{S_{LR}}$, and $t_{H_{LR}}$ are not applicable.

5. Parameter t_{HAR} is not applicable if address latching is used.
6. When a set-up time is specified between an input and a clock, the set-up time is the time in nanoseconds from the 1.4 Volt point of the input to the 1.4 Volt point of the clock.
7. When a hold time is specified between an input and a clock, the hold time is the time in nanoseconds from the 1.4 Volt point of the input to the 1.4 Volt point of the clock.

Table 22: Microprocessor Interface Write Access (Figure 42)

Symbol	Parameter	Min	Max	Units
t_{SAW}	Address to Valid Write Set-up Time	10		ns
t_{SDW}	Data to Valid Write Set-up Time	20		ns
t_{SALW}	Address to Latch Set-up Time	10		ns
t_{HALW}	Address to Latch Hold Time	10		ns
t_{VL}	Valid Latch Pulse Width	5		ns
t_{SLW}	Latch to Write Set-up	0		ns
t_{HLW}	Latch to Write Hold	5		ns
t_{HDW}	Data to Valid Write Hold Time	5		ns
t_{HAW}	Address to Valid Write Hold Time	5		ns
t_{VWR}	Valid Write Pulse Width	40		ns

Figure 42: Microprocessor Interface Write Timing



Notes on Microprocessor Interface Write Timing:

- 1 A valid write cycle is defined as a logical OR of the CSB and the WRB signals.
- 2 In non-multiplexed address/data bus architectures, ALE should be held high so parameters $t_{S_{ALW}}$, $t_{H_{ALW}}$, t_{V_L} , $t_{S_{LW}}$, and $t_{H_{LW}}$ are not applicable.
- 3 Parameter $t_{H_{AW}}$ is not applicable if address latching is used.
- 4 When a set-up time is specified between an input and a clock, the set-up time is the time in nanoseconds from the 1.4 Volt point of the input to the 1.4 Volt point of the clock.
- 5 When a hold time is specified between an input and a clock, the hold time is the time in nanoseconds from the 1.4 Volt point of the input to the 1.4 Volt point of the clock.

18 A.C. TIMING CHARACTERISTICS

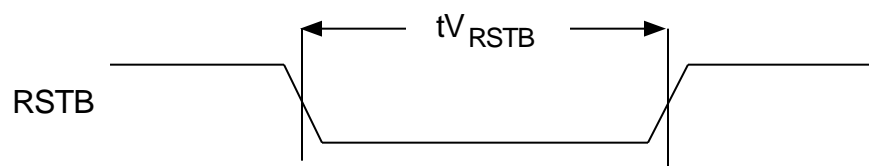
($T_C = -40^{\circ}\text{C}$ to $+85^{\circ}\text{C}$, $V_{DD} = 3.3\text{V} \pm 10\%$)

18.1 System Reset Timing

Table 23: RSTB Timing (Figure 43)

Symbol	Description	Min	Max	Units
tV_{RSTB}	RSTB Pulse Width	100		ns

Figure 43: RSTB Timing Diagram



18.2 Reference Timing

Line Side Reference Clock

Symbol	Description	Min	Max	Units
	REFCLK Nominal Frequency	19.44	19.44	MHz
	REFCLK Duty Cycle	30	70	%
	REFCLK Frequency Tolerance	-50	+50	ppm

18.3 ATM System Interface Timing

Table 24: Transmit ATM System Interface Timing (Figure 44)

Symbol	Description	Min	Max	Units
f _{TFCLK}	TFCLK Frequency		50	MHz
D _{TFCLK}	TFCLK Duty Cycle	40	60	%
t _S _{TENB}	TENB Set-up time to TFCLK	3		ns
t _H _{TENB}	TENB Hold time to TFCLK	0		ns
t _S _{TADR}	TADR[4:0] Set-up time to TFCLK	3		ns
t _H _{TADR}	TADR[4:0] Hold time to TFCLK	0		ns
t _S _{TDAT}	TDAT[15:0] Set-up time to TFCLK	3		ns
t _H _{TDAT}	TDAT[15:0] Hold time to TFCLK	0		ns
t _S _{TPRTY}	TPRTY Set-up time to TFCLK	3		ns
t _H _{TPRTY}	TPRTY Hold time to TFCLK	0		ns
t _S _{TSOC}	TSOC Set-up time to TFCLK	3		ns
t _H _{TSOC}	TSOC Hold time to TFCLK	0		ns
t _P _{DTCA}	TFCLK High to DTCA[4:1] Valid	1	12	ns
t _P _{TCA}	TFCLK High to TCA Valid	1	12	ns
t _Z _{TCA}	TFCLK High to TCA Tri-state	1	10	ns
t _{ZB} _{TCA}	TFCLK High to TCA Driven	0		ns

Figure 44: Transmit ATM System Interface Timing Diagram

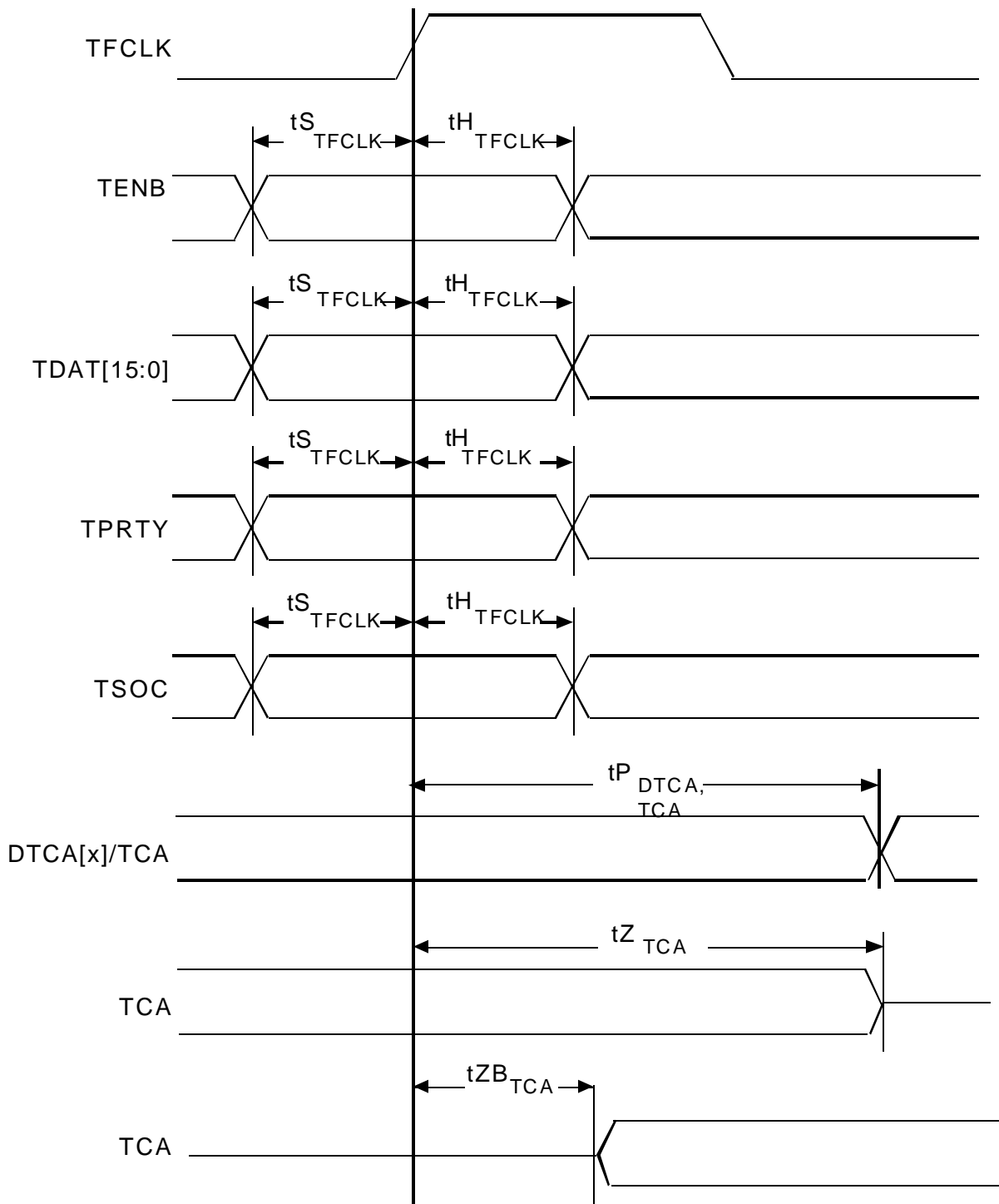
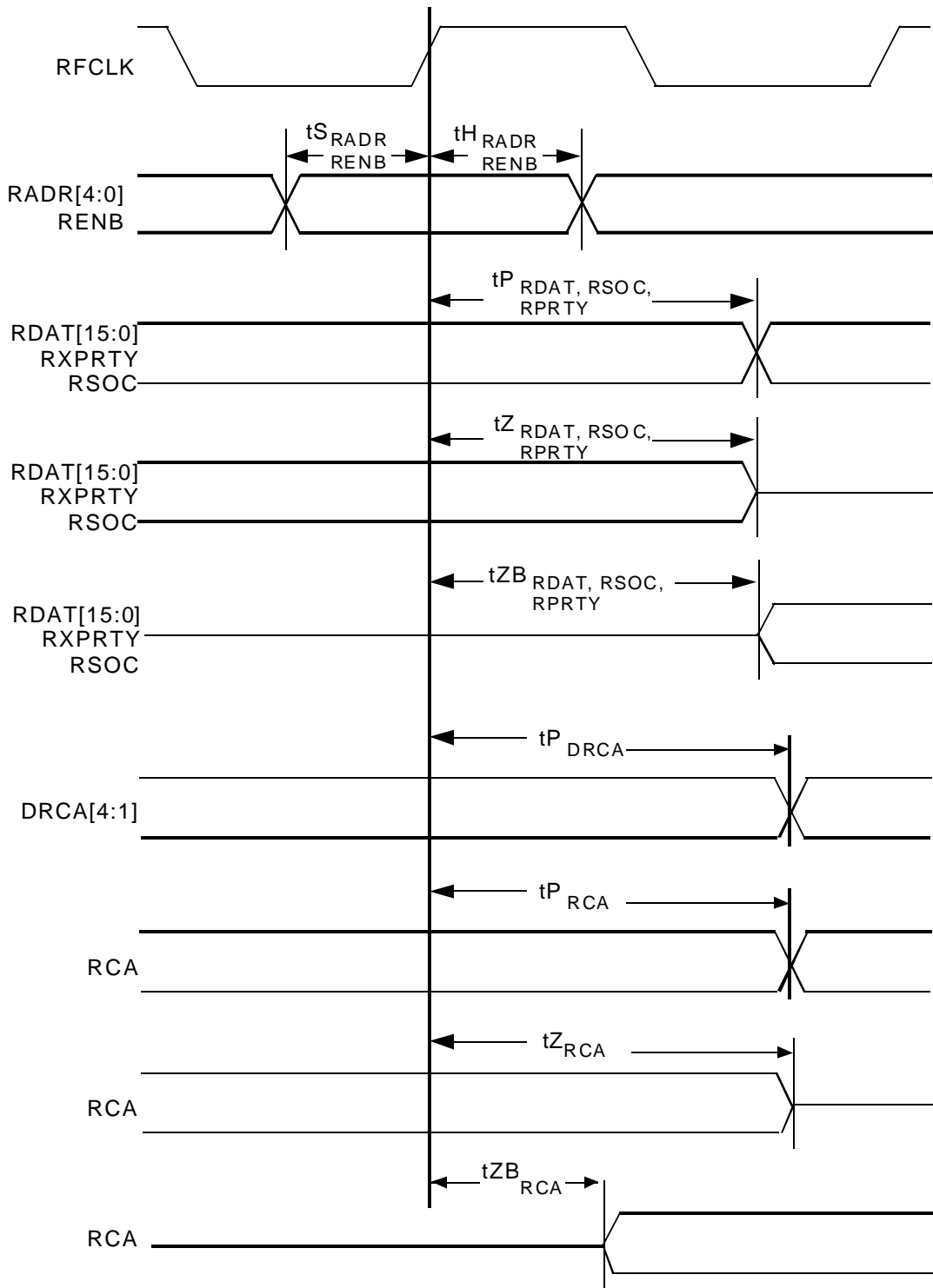


Table 25: Receive ATM System Interface Timing (Figure 45)

Symbol	Description	Min	Max	Units
f _{RFCLK}	RFCLK Frequency		50	MHz
D _{RFCLK}	RFCLK Duty Cycle	40	60	%
t _{S_{RENB}}	RENB Set-up time to RFCLK	3		ns
t _{H_{RENB}}	RENB Hold time to RFCLK	0		ns
t _{S_{RADR}}	RADR[4:0] Set-up time to RFCLK	3		ns
t _{H_{RADR}}	RADR[4:0] Hold time to RFCLK	0		ns
t _{P_{RDAT}}	RFCLK High to RDAT Valid	1	12	ns
t _{Z_{RDAT}}	RFCLK High to RDAT Tri-state	1	12	ns
t _{Z_{B_{RDAT}}}	RFCLK High to RDAT Driven	0		ns
t _{P_{RSOC}}	RFCLK High to RSOC Valid	1	12	ns
t _{Z_{RSOC}}	RFCLK High to RSOC Tri-state	1	12	ns
t _{Z_{B_{RSOC}}}	RFCLK High to RSOC Driven	0		ns
t _{P_{RPRTY}}	RFCLK High to RPRTY Valid	1	12	ns
t _{Z_{RPRTY}}	RFCLK High to RPRTY Tri-state	1	12	ns
t _{Z_{B_{RPRTY}}}	RFCLK High to RPRTY Driven	0		ns
t _{P_{RCA}}	RFCLK High to RCA Valid	1	12	ns
t _{Z_{RCA}}	RFCLK High to RCA Tri-state	1	12	ns
t _{Z_{B_{RCA}}}	RFCLK High to RCA Driven	0		ns
t _{P_{DRCA}}	RFCLK High to DRCA[4:1] Valid	1	12	ns

Figure 45: Receive ATM System Interface Timing Diagram



18.4 POS System Interface Timing

Table 26: Transmit POS System Interface Timing (Figure 46)

Symbol	Description	Min	Max	Units
f _{TFCLK}	TFCLK Frequency		50	MHz
D _{TFCLK}	TFCLK Duty Cycle	40	60	%
t _{S_{TENB}}	TENB Set-up time to TFCLK	3		ns
t _{H_{TENB}}	TENB Hold time to TFCLK	0		ns
t _{S_{TADR}}	TADR[4:0] Set-up time to TFCLK	3		ns
t _{H_{TADR}}	TADR[4:0] Hold time to TFCLK	0		ns
t _{S_{TDAT}}	TDAT[15:0] Set-up time to TFCLK	3		ns
t _{H_{TDAT}}	TDAT[15:0] Hold time to TFCLK	0		ns
t _{S_{TPRTY}}	TPRTY Set-up time to TFCLK	3		ns
t _{H_{TPRTY}}	TPRTY Hold time to TFCLK	0		ns
t _{S_{TSOP}}	TSOP Set-up time to TFCLK	3		ns
t _{H_{TSOP}}	TSOP Hold time to TFCLK	0		ns
t _{S_{TEOP}}	TEOP Set-up time to TFCLK	3		ns
t _{H_{TEOP}}	TEOP Hold time to TFCLK	0		ns
t _{S_{TMOD}}	TMOD Set-up time to TFCLK	3		ns
t _{H_{TMOD}}	TMOD Hold time to TFCLK	0		ns
t _{S_{TERR}}	TERR Set-up time to TFCLK	3		ns
t _{H_{TERR}}	TERR Hold time to TFCLK	0		ns
t _{P_{DTPA}}	TFCLK High to DTPA[4:1] Valid	1	12	ns
t _{P_{PTPA}}	TFCLK High to PTPA Valid	1	12	ns
t _{Z_{PTPA}}	TFCLK High to PTPA Tri-state	1	10	ns
t _{Z_{BPTPA}}	TFCLK High to PTPA Driven	0		ns
t _{P_{STPA}}	TFCLK High to STPA Valid	1	12	ns
t _{Z_{STPA}}	TFCLK High to STPA Tri-state	1	10	ns
t _{Z_{BSTPA}}	TFCLK High to STPA Driven	0		ns

Figure 46: Transmit POS System Interface Timing

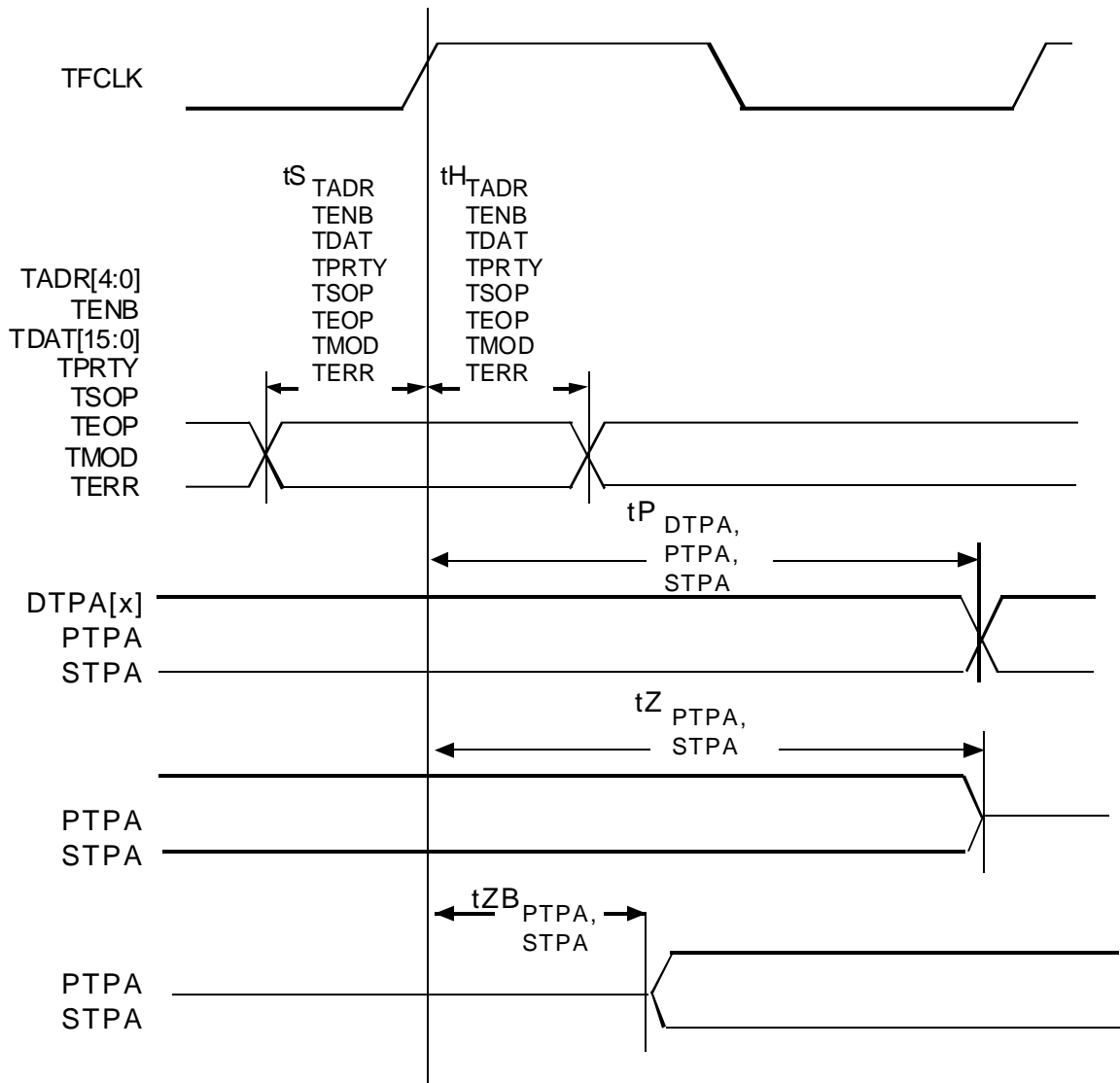
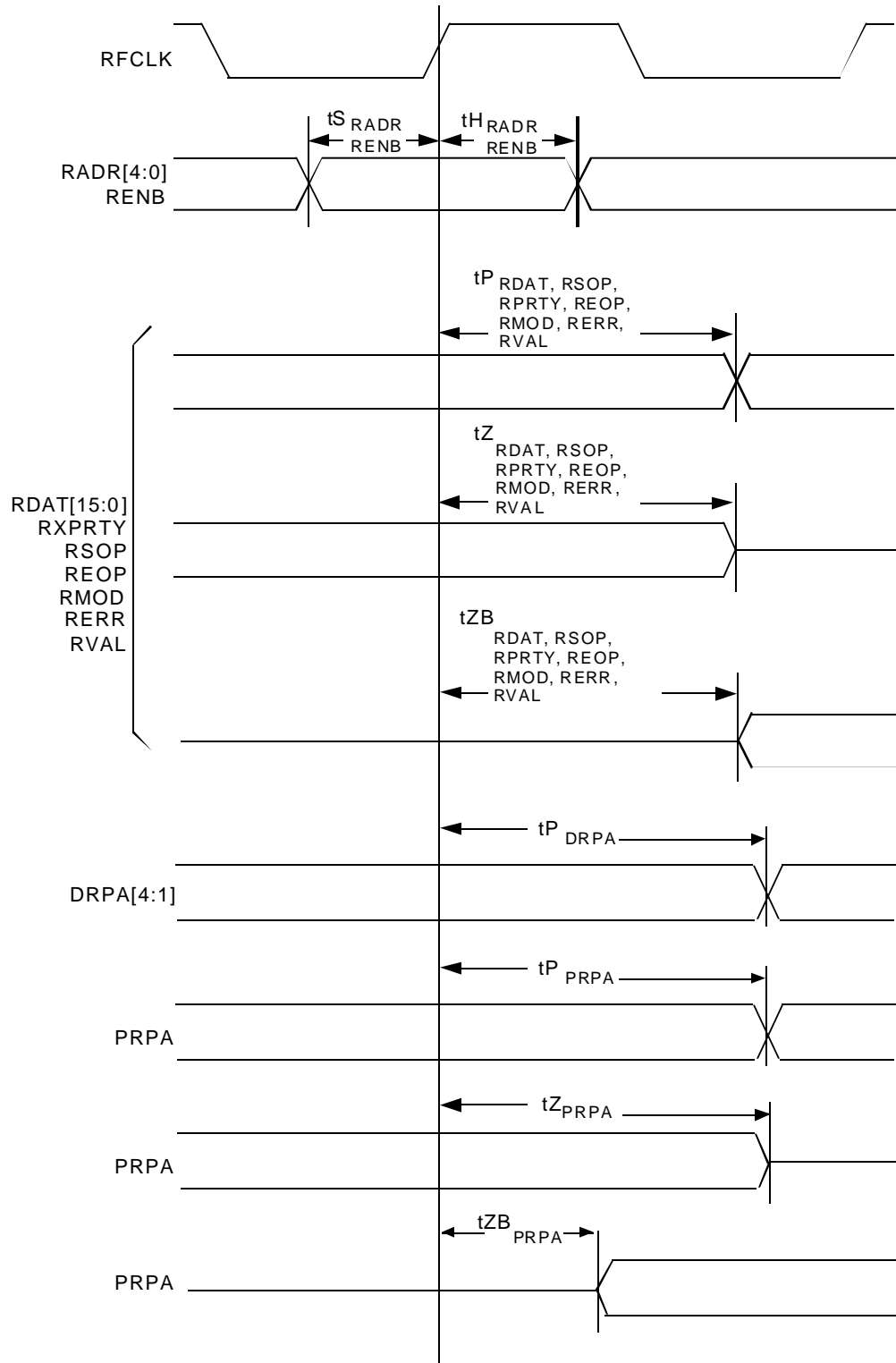


Table 27: Receive POS System Interface Timing (Figure 47)

Symbol	Description	Min	Max	Units
f _{RFCLK}	RFCLK Frequency		50	MHz
D _{RFCLK}	RFCLK Duty Cycle	40	60	%
t _{S_{RENB}}	RENB Set-up time to RFCLK	3		ns
t _{H_{RENB}}	RENB Hold time to RFCLK	0		ns
t _{S_{RADR}}	RADR[4:0] Set-up time to RFCLK	3		ns
t _{H_{RADR}}	RADR[4:0] Hold time to RFCLK	0		ns
t _{P_{RDAT}}	RFCLK High to RDAT Valid	1	12	ns
t _{Z_{RDAT}}	RFCLK High to RDAT Tri-state	1	12	ns
t _{Z_{B_{RDAT}}}	RFCLK High to RDAT Driven	0		ns
t _{P_{RPRTY}}	RFCLK High to RPRTY Valid	1	12	ns
t _{Z_{RPRTY}}	RFCLK High to RPRTY Tri-state	1	12	ns
t _{Z_{B_{RPRTY}}}	RFCLK High to RPRTY Driven	0		ns
t _{P_{RSOP}}	RFCLK High to RSOP Valid	1	12	ns
t _{Z_{RSOP}}	RFCLK High to RSOP Tri-state	1	12	ns
t _{Z_{B_{RSOP}}}	RFCLK High to RSOP Driven	0		ns
t _{P_{REOP}}	RFCLK High to REOP Valid	1	12	ns
t _{Z_{REOP}}	RFCLK High to REOP Tri-state	1	12	ns
t _{Z_{B_{REOP}}}	RFCLK High to REOP Driven	0		ns
t _{P_{RMOD}}	RFCLK High to RMOD Valid	1	12	ns
t _{Z_{RMOD}}	RFCLK High to RMOD Tri-state	1	12	ns
t _{Z_{B_{RMOD}}}	RFCLK High to RMOD Driven	0		ns
t _{P_{RERR}}	RFCLK High to RERR Valid	1	12	ns
t _{Z_{RERR}}	RFCLK High to RERR Tri-state	1	12	ns
t _{Z_{B_{RERR}}}	RFCLK High to RERR Driven	0		ns
t _{P_{RVAL}}	RFCLK High to RVAL Valid	1	12	ns
t _{Z_{RVAL}}	RFCLK High to RVAL Tri-state	1	12	ns
t _{Z_{B_{PVAL}}}	RFCLK High to RVAL Driven	0		ns

tP _{RPA}	RFCLK High to PRPA Valid	1	12	ns
tZ _{RPA}	RFCLK High to PRPA Tri-state	1	12	ns
tZB _{RPA}	RFCLK High to PRPA Driven	0		ns
tP _{DRPA}	RFCLK High to DRPA Valid	1	12	ns

Figure 47: Receive POS System Interface Timing



18.5 Line and Section DCC Timing

Table 28: Section DCC Timing (Figure 48)

Symbol	Description	Min	Max	Units
$t_{S_{TSD}}$	TSD Set-up Time to TSDCLK	25		ns
$t_{H_{TSD}}$	TSD Hold Time to TSDCLK	25		ns
$t_{P_{RSD}}$	RSDCLK Low to RSD Valid	-15	5	ns

Figure 48: Section DCC Timing Diagram

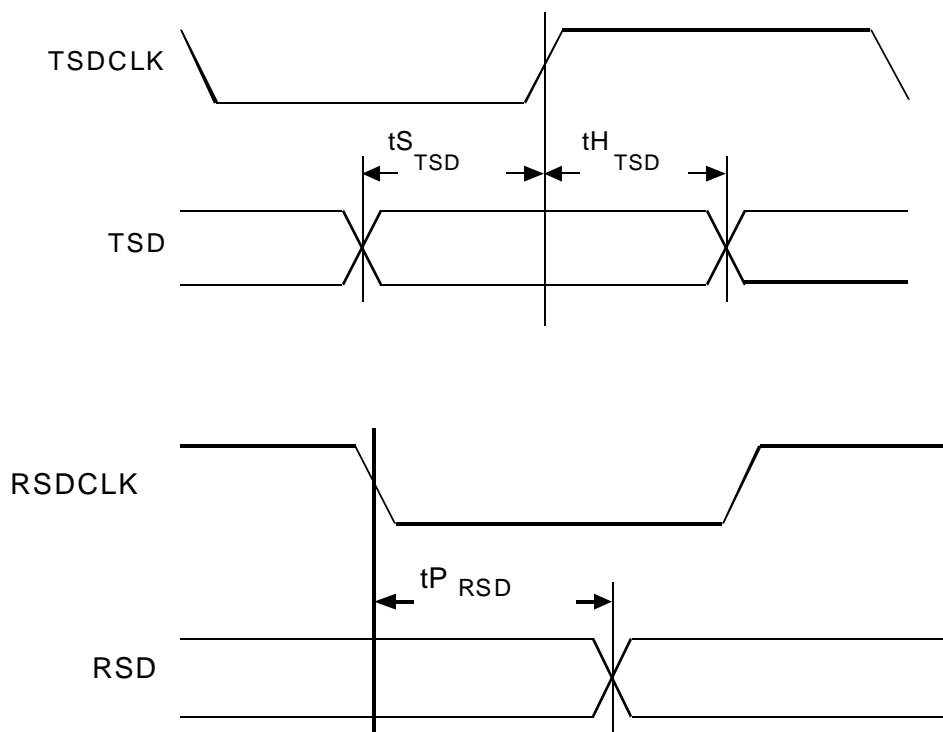
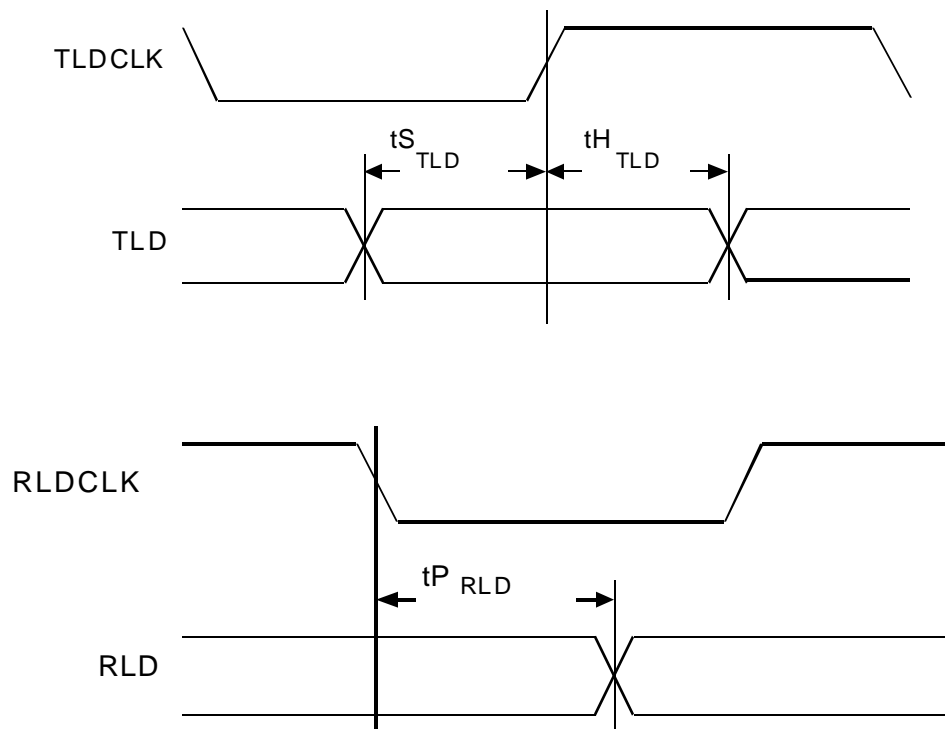


Table 29: Line DCC Timing (Figure 49)

Symbol	Description	Min	Max	Units
$t_{S_{TLD}}$	TLD Set-up Time to TLDCLK	25		ns
$t_{H_{TLD}}$	TLD Hold Time to TLDCLK	25		ns
$t_{P_{RLD}}$	RLDCLK Low to RLD Valid	-15	5	ns

Figure 49: Line DCC Timing Diagram

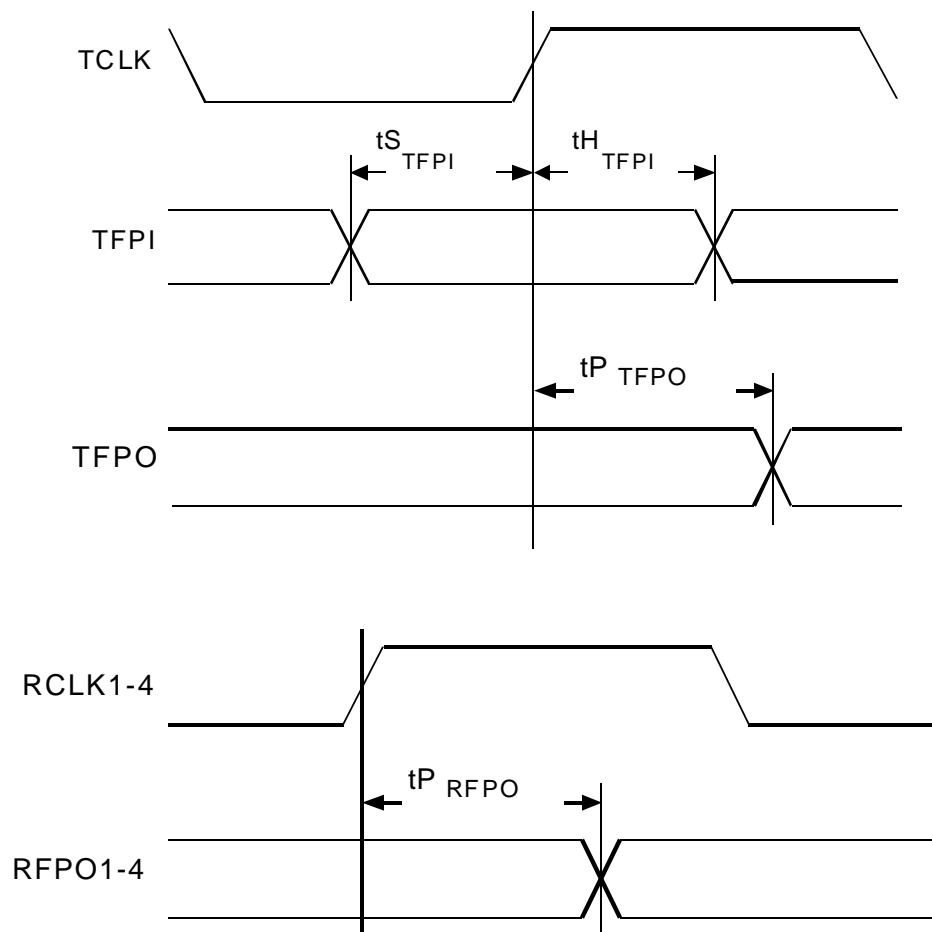


18.6 Transmit and Receive Frame Pulses

Table 30: Transmit and Receive Frame Pulse Timing (Figure 50)

Symbol	Description	Min	Max	Units
$t_{S_{TFPI}}$	TFPI Set-up Time to TCLK High	15		ns
$t_{H_{TFPI}}$	TFPI Hold Time to TCLK High	0		ns
$t_{P_{TFPO}}$	TCLK High to TFPO Valid	0	10	ns
$t_{P_{RFPO}}$	RCLK1-4 High to RFPO1-4 Valid	0	10	ns

Figure 50: Transmit and Receive Frame Pulses

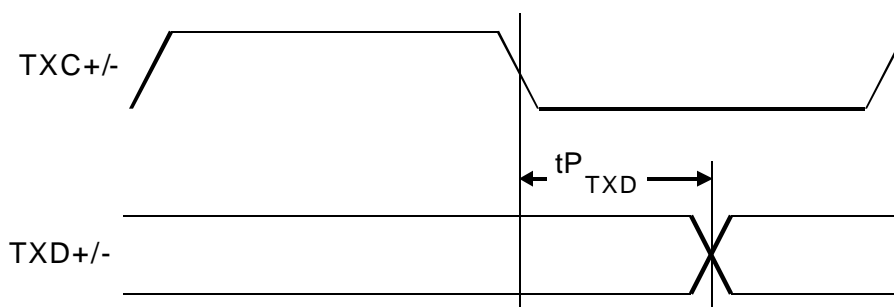


18.7 Transmit Line Timing in Single Ended TXD/TXC Mode

Table 31: Line Side Transmit Timign (TXC_OE=1 Only) (Figure 51)

Symbol	Description	Min	Max	Units
tP_{TXD}	TXC+/- Falling to TXD+/- Valid	-2	2	ns

Figure 51: Line Side Transmit Timing Diagram (TXC_OE=1)

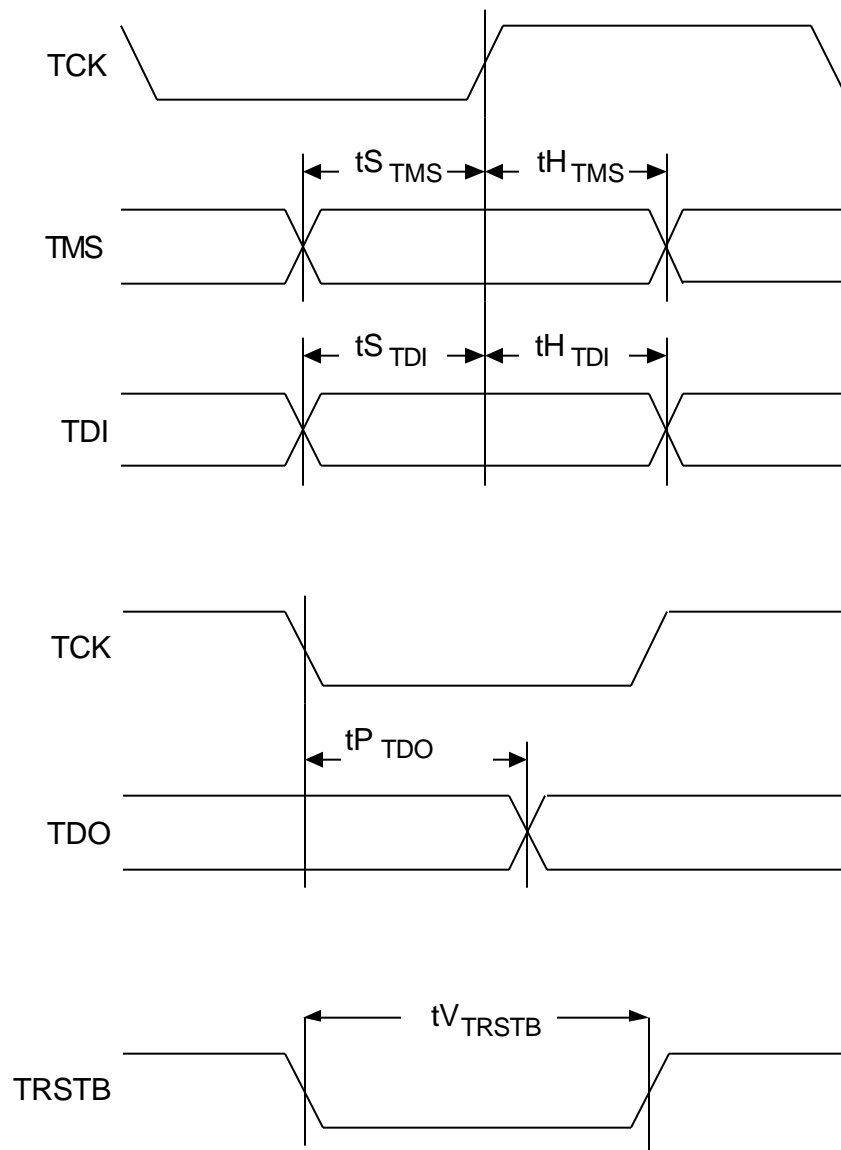


18.8 JTAG Test Port Timing

Table 32: JTAG Port Interface (Figure 52)

Symbol	Description	Min	Max	Units
	TCK Frequency		1	MHz
	TCK Duty Cycle	40	60	%
t_{STMS}	TMS Set-up time to TCK	50		ns
t_{HTMS}	TMS Hold time to TCK	50		ns
t_{STDI}	TDI Set-up time to TCK	50		ns
t_{HTDI}	TDI Hold time to TCK	50		ns
t_{PTDO}	TCK Low to TDO Valid	2	50	ns
t_{VTRSTB}	TRSTB Pulse Width	100		ns

Figure 52: JTAG Port Interface Timing



Notes on Input Timing:

1. When a set-up time is specified between an input and a clock, the set-up time is the time in nanoseconds from the 1.4 Volt point of the input to the 1.4 Volt point of the clock.

2. When a hold time is specified between an input and a clock, the hold time is the time in nanoseconds from the 1.4 Volt point of the clock to the 1.4 Volt point of the input.

Notes on Output Timing:

1. Output propagation delay time is the time in nanoseconds from the 1.4 Volt point of the reference signal to the 1.4 Volt point of the output.
2. Maximum output propagation delays are measured with a 50 pF load on the outputs with the exception of the RDATA[15:0], RPRTY, RSOC/RSOP, REOP, RMOD, RERR, RCA/PRPA, DRCA[4:1]/DRPA[4:1], TCA/PTPA, STPA, DTCA[4:1]/DTPA[4:1] for which propagation delays are measured with a 30 pF load.
3. Output propagation delay time for TXD+/- relative to TXC+/- is based on a differential voltage for which the signal transition time is defined at the moment at which the positive and negative voltages are equal.

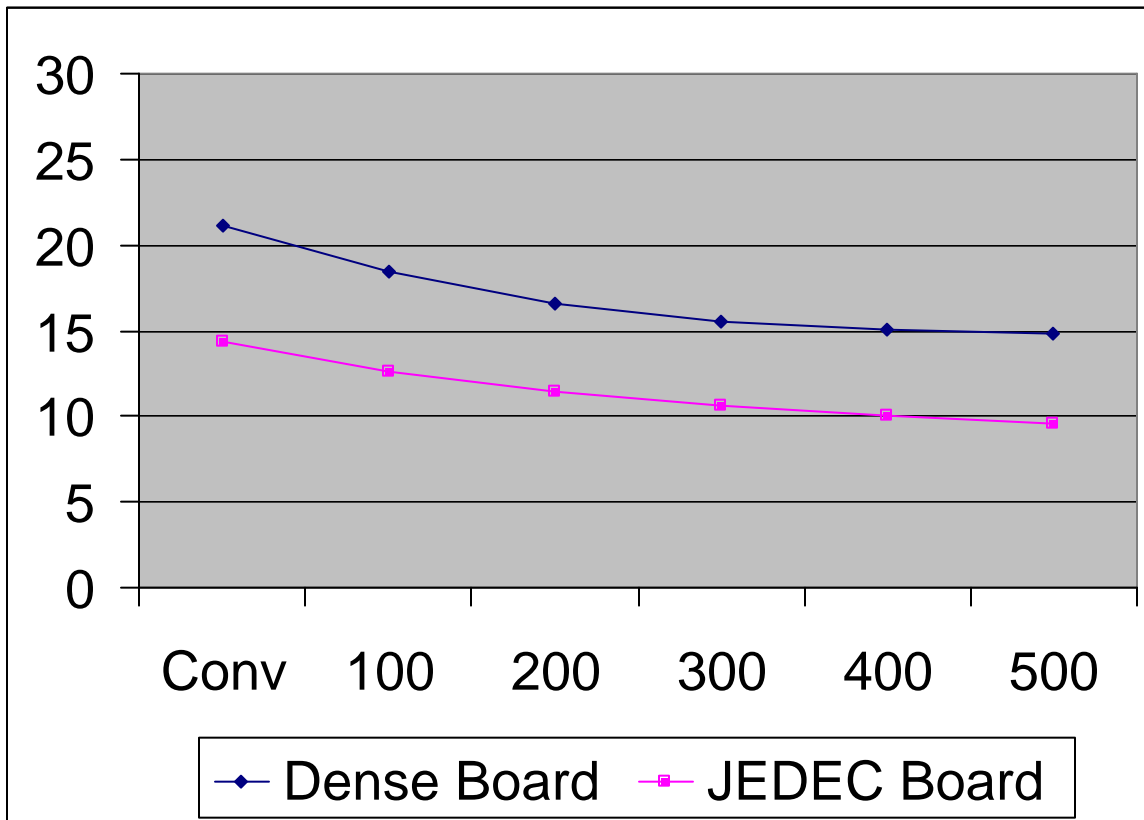
19 ORDERING AND THERMAL INFORMATION

Table 33: Ordering Information

PART NO.	DESCRIPTION
PM5351-BI	304-pin Ball Grid Array (SBGA)

Table 34: Thermal Information

PART NO.	AMBIENT TEMPERATURE	Theta Ja	Theta Jc
PM5351-BI	-40°C to 85°C	22 °C/W	1 °C/W



The junction temperature (T_j) is less than 105°C for a ambient temperature (T_a) of 60°C and a 300LFM of airflow. The device must operate at $T_a=70^\circ\text{C}$ with 100LFM and must not be damaged with $T_a=70^\circ\text{C}$ and no airflow. This assumes a dense board and a ThetaJA of 16.

Loaded power at 3.63V POS mode, with TXC pins enable, mean = 2.83W

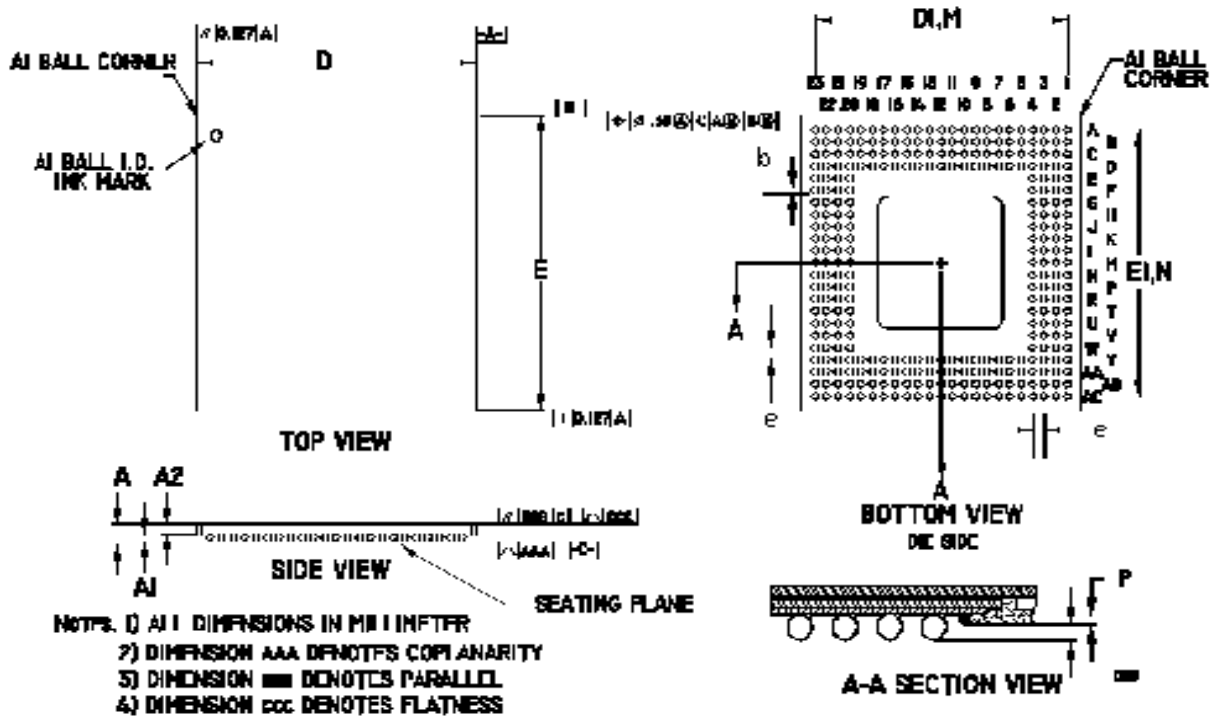
Loaded power at 3.63V POS mode, with TXC pins enable, mean + 2 sigma = 2.89W

The junction temperature = 105°C.

Therefore, the package is approved for use without enhanced cooling.

20 MECHANICAL INFORMATION

Figure 53:- Mechanical Drawing 304 Pin Super Ball Grid Array (SBGA)



PACKAGE TYPE: 304 PIN THERMAL BALL GRID ARRAY															
BODY SIZE: 51 x 31 x 1.45 MM															
REL.	A	A1	A2	D	DI	E	E1	M,N	e	b	AAA	BBB	CCC	DDW	P
MIN.	1.41	0.66	0.65	30.90	77.84	50.90	77.84			0.50				0.15	0.20
NOM.	1.54	0.65	0.91	31.00	77.94	51.00	77.94	23x25	1.77	0.75				0.35	0.30
MAX.	1.67	0.79	0.97	31.10	78.04	51.10	78.04			0.90	0.15	0.15	0.20	0.50	0.35

NOTES

CONTACTING PMC-SIERRA, INC.

PMC-Sierra, Inc.
105-8555 Baxter Place Burnaby, BC
Canada V5A 4V7

Tel: (604) 415-6000

Fax: (604) 415-6200

Document Information: document@pmc-sierra.com
Corporate Information: info@pmc-sierra.com
Application Information: apps@pmc-sierra.com
Web Site: <http://www.pmc-sierra.com>

None of the information contained in this document constitutes an express or implied warranty by PMC-Sierra, Inc. as to the sufficiency, fitness or suitability for a particular purpose of any such information or the fitness, or suitability for a particular purpose, merchantability, performance, compatibility with other parts or systems, of any of the products of PMC-Sierra, Inc., or any portion thereof, referred to in this document. PMC-Sierra, Inc. expressly disclaims all representations and warranties of any kind regarding the contents or use of the information, including, but not limited to, express and implied warranties of accuracy, completeness, merchantability, fitness for a particular use, or non-infringement.

In no event will PMC-Sierra, Inc. be liable for any direct, indirect, special, incidental or consequential damages, including, but not limited to, lost profits, lost business or lost data resulting from any use of or reliance upon the information, whether or not PMC-Sierra, Inc. has been advised of the possibility of such damage.

© 1997, 1998, 1999, 2000 PMC-Sierra, Inc.

PMC-971240 (R7) ref PMC-971028 (R7) Issue date: February 2000