

PMB 2110
GSM Dualband TX VCO



Wireless Components



Never stop thinking.

Edition 2001-07-30

**Published by Infineon Technologies AG,
St.-Martin-Strasse 53,
D-81541 München, Germany**

**© Infineon Technologies AG 2/11/02.
All Rights Reserved.**

Attention please!

The information herein is given to describe certain components and shall not be considered as warranted characteristics.

Terms of delivery and rights to technical change reserved.

We hereby disclaim any and all warranties, including but not limited to warranties of non-infringement, regarding circuits, descriptions and charts stated herein.

Infineon Technologies is an approved CECC manufacturer.

Information

For further information on technology, delivery terms and conditions and prices please contact your nearest Infineon Technologies Office in Germany or our Infineon Technologies Representatives worldwide (see address list).

Warnings

Due to technical requirements components may contain dangerous substances. For information on the types in question please contact your nearest Infineon Technologies Office.

Infineon Technologies Components may only be used in life-support devices or systems with the express written approval of Infineon Technologies, if a failure of such components can reasonably be expected to cause the failure of that life-support device or system, or to affect the safety or effectiveness of that device or system. Life support devices or systems are intended to be implanted in the human body, or to support and/or maintain and sustain and/or protect human life. If they fail, it is reasonable to assume that the health of the user or other persons may be endangered.

PMB 2110

GSM Dualband TX VCO

Wireless Components



Never stop thinking.

Specification**Revision History: 2001-07-30****PMB 2110**Previous Version: May 2001

Page (in previous Version)	Page (in current Version)	Subjects (major changes since last revision)
	16 ff	AC/DC Characteristics specified vs Temperature
	16/17	Max Supply current added: GSM:34mA, DCS:37mA
	18	Itune max: 2nA added
	5 ff	SupplyVoltage changed: 2.7V to 2.95V

For questions on technology, delivery and prices please contact the Infineon Technologies Offices in Germany or the Infineon Technologies Companies and Representatives worldwide: see our webpage at <http://www.infineon.com>

ABM[®], AOP[®], ARCOFI[®], ARCOFI[®]-BA, ARCOFI[®]-SP, DigiTape[®], EPIC[®]-1, EPIC[®]-S, ELIC[®], FALC[®]54, FALC[®]56, FALC[®]-E1, FALC[®]-LH, IDEC[®], IOM[®], IOM[®]-1, IOM[®]-2, IPAT[®]-2, ISAC[®]-P, ISAC[®]-S, ISAC[®]-S TE, ISAC[®]-P TE, ITAC[®], IWE[®], MUSAC[®]-A, OCTAT[®]-P, QUAT[®]-S, SICAT[®], SICOFI[®], SICOFI[®]-2, SICOFI[®]-4, SICOFI[®]-4 μ C, SLICOFI[®] are registered trademarks of Infineon Technologies AG.

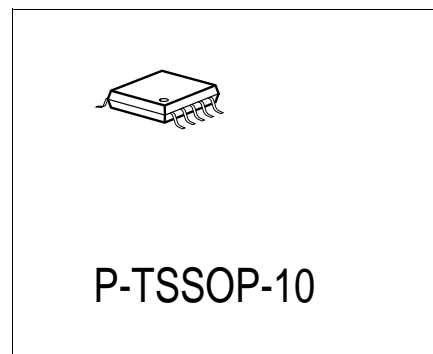
ACE[™], ASM[™], ASP[™], POTSWIRE[™], QuadFALC[™], SCOUT[™] are trademarks of Infineon Technologies AG.

Controller Area Network (CAN): License of Robert Bosch GmbH

Product Info

General Description

- The PMB 2110 is a Transmit VCO for Dualband (900/1800) GSM mobiles.



Features

- Fully integrated, monolithic solution
- Very small outline and low profile TSSOP10 package
- Two single ended RF power outputs to drive the power amplifier
- Low power balanced output for PLL downconverter for optimized bill of material (no external power splitter required)
- Band select and power down function
- Supply voltage range 2.7V to 2.95V
- -20°C to +75°C operational temperature range

Application

- Transmit VCO for GSM Dualband (900/1800) transceivers

Type	Ordering Code	Package
PMB 2110	Q67034-H0005	P-TSSOP-10

Table of Contents		Page
1	Product Description	7
1.1	Overview	7
1.2	Features	7
1.3	Application	7
1.4	Package Outlines	8
2	Functional Description	9
2.1	Pin Configuration	9
2.2	Pin Definitions and Functions	10
2.3	Functional Block Diagram	12
2.4	Functional Block Description	12
2.4.1	VCO core	12
2.4.2	VCO Buffer	12
3	Application	13
3.1	Application Circuit	13
3.2	Hints	13
4	Reference	14
4.1	Electrical Data	14
4.1.1	Absolute Maximum Ratings	14
4.1.2	Operating Range	15
4.1.3	Current Consumption and Operation Modes	16
4.1.4	AC/DC Characteristics	16
4.2	Output Impedance	19
4.3	Test Conditions	20
4.4	Test Circuit	20

1 Product Description

1.1 Overview

- The PMB 2110 is a Transmit VCO for Dualband (900/1800) GSM mobiles.

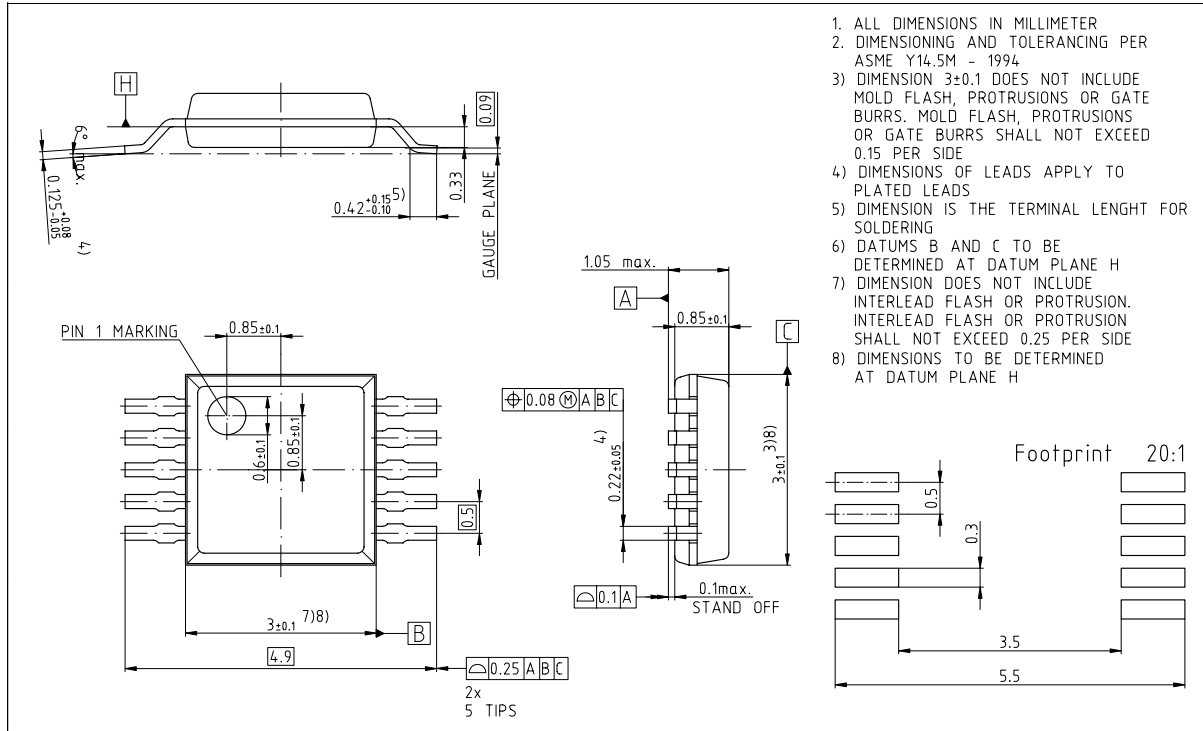
1.2 Features

- Fully integrated, monolithic solution
- Very small outline and low profile TSSOP10 package
- Two single ended RF power outputs to drive the power amplifier
- Low power balanced output for PLL downconverter for optimized bill of material (no external power splitter required)
- Band select and power down function
- Supply voltage range from 2.7V to 2.95V
- -20°C to +75°C operational temperature range

1.3 Application

- Transmit VCO for GSM Dualband (900/1800) transceivers

1.4 Package Outlines

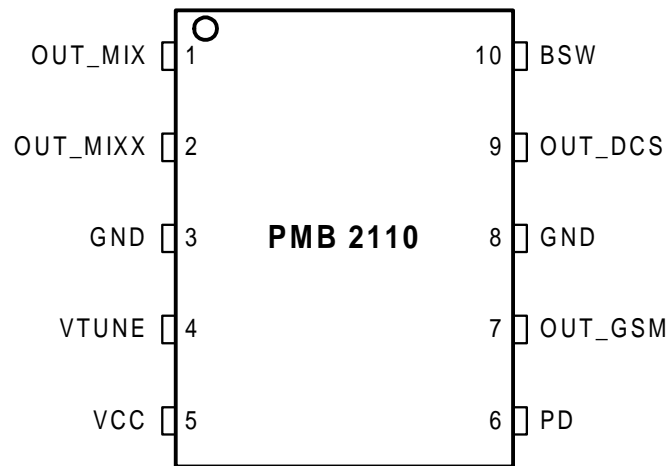


P_TSSOP_10.wmf

Figure 1-1 Package Outline P-TSSOP-10

2 Functional Description

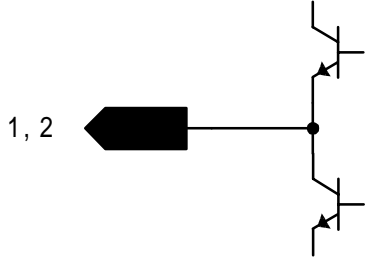
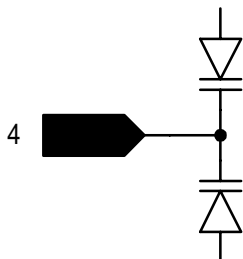
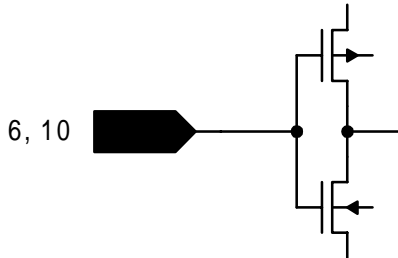
2.1 Pin Configuration



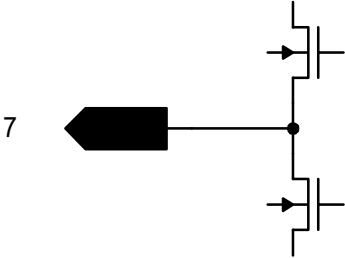
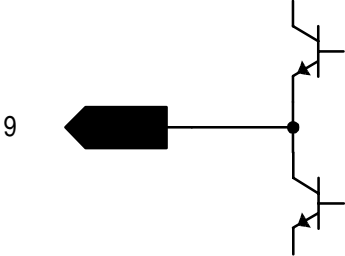
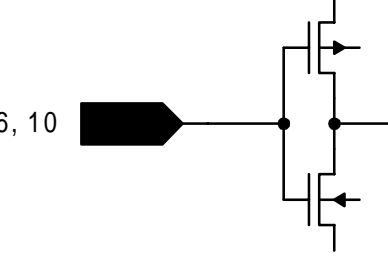
Pin_config.wmf

Figure 2-1 Pin Configuration

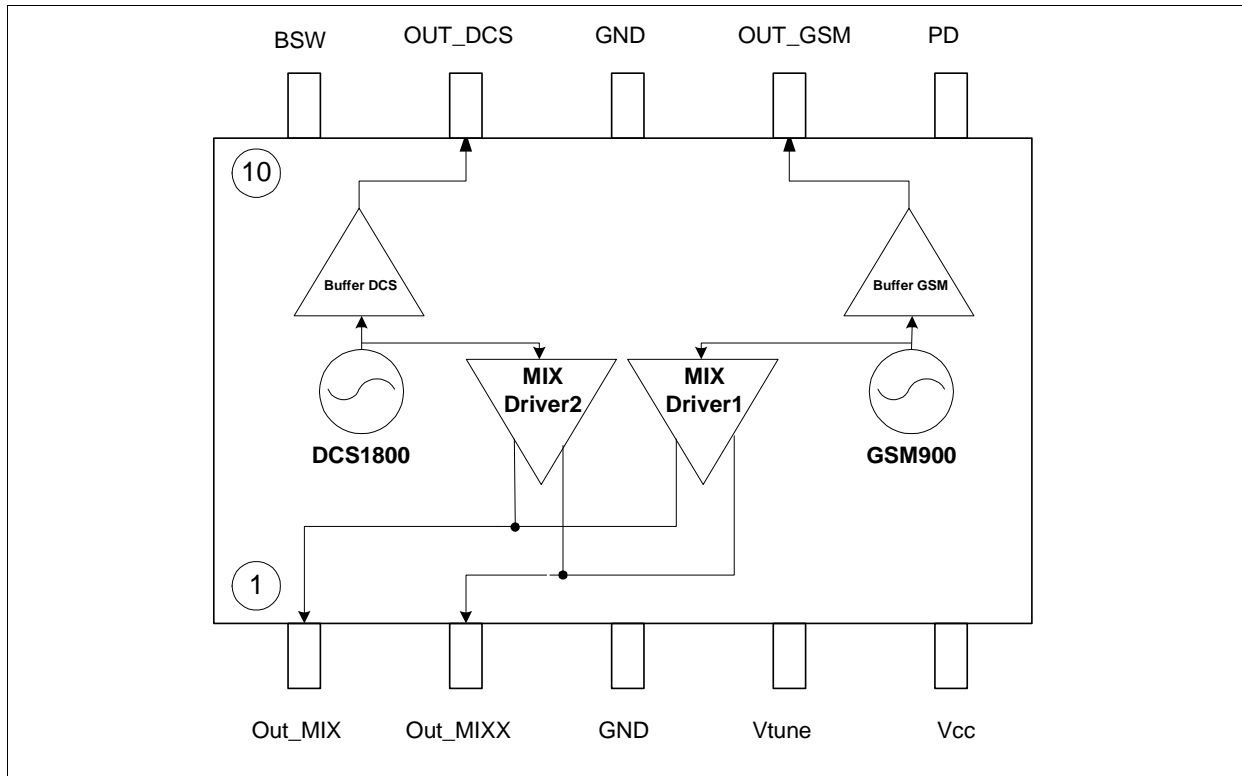
2.2 Pin Definitions and Functions

Table 2-1 Pin Definition and Function			
Pin No.	Symbol	Equivalent I/O-Schematic	Function
1	OUT_MIX		Downconverter Output
2	OUT_MIXX		Downconverter Output, inverted
3	GND		Ground
4	VTUNE		Frequency control voltage input
5	VCC		Supply voltage
6	PD		Power down PD=Low: VCO off PD=High: VCO on

Functional Description

Table 2-1 Pin Definition and Function (continued)			
Pin No.	Symbol	Equivalent I/O-Schematic	Function
7	OUT_GSM		RF output GSM900
8	GND		Ground
9	OUT_DCS		RF output DCS1800
10	BSW		Band select: BSW=Low GSM 900 VCO on BSW=High DCS1800 VCO on

2.3 Functional Block Diagram



Block_diag.wmf

Figure 2-2 Block Diagram

2.4 Functional Block Description

The PMB 2110 contains all circuits including resonators required for a TX VCO for a dualband (900/1800) GSM transceiver.

2.4.1 VCO core

Separate VCO cores are used for the two frequency bands. The band required can be selected with the BSW input. Both VCOs have a common frequency control input VTUNE and a common voltage supply pin VCC.

2.4.2 VCO Buffer

Separate buffers are used for both cores to amplify the VCO signals. There are two outputs for each VCO. High power single ended outputs are used to drive separate inputs for each band of the power amplifier.

A separate balanced output is used to drive the downconverter of the transmit PLL. Thus the need for external circuitry to provide an input signal for this function is eliminated and the number of components required in the application is considerably reduced.

3 Application

3.1 Application Circuit

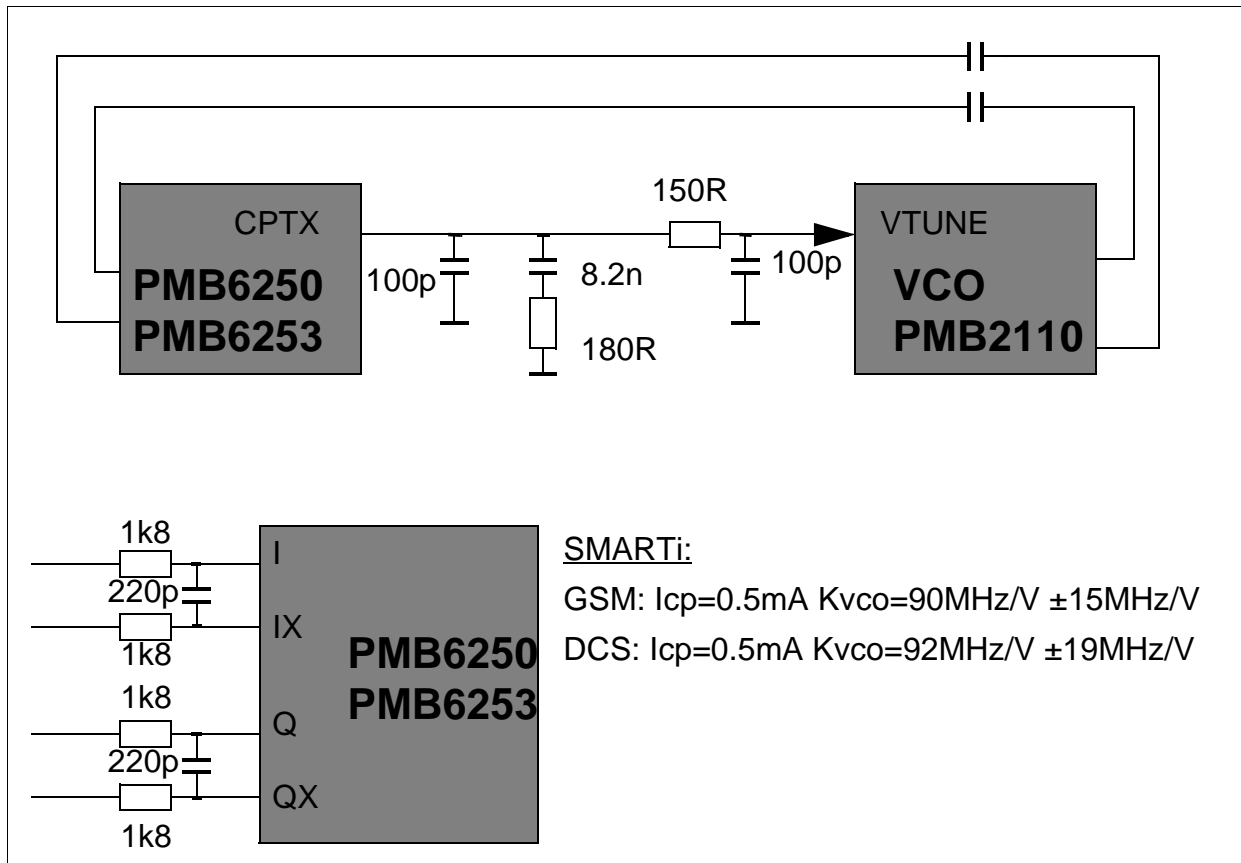


Figure 3-1 Application Circuit

The TX Loopfilter is designed to get an optimum of RMS Phase error, 400kHz and 1800kHz suppression for GSM900/GSM1800. For more details please refer to separate application note.

3.2 Hints

- DC blocking capacitors must be used at each RF output.
- Baseband Preemphasis:
The combination of IQ filtering and phase filtering due to the upconversions loops phase transfer function shows a partial cancellation of the correlated rms phase error introduced by the different blocks. This effect is utilized in the application circuit proposal. It leads to a phase error optimum for the recommended combination of loop dynamics and IQ filtering.
- Loop filter precharge function must be enabled together with PMB6250/PMB6253.

4 Reference

4.1 Electrical Data

4.1.1 Absolute Maximum Ratings



WARNING

The maximum ratings may not be exceeded under any circumstances, not even momentarily and individually, as permanent damage to the IC will result.

Table 4-1 Absolute Maximum Ratings, $T_{AMB} = -30^{\circ}\text{C} \dots + 85^{\circ}\text{C}$

#	Parameter	Symbol	Limit Values		Unit	Remarks
			min	max		
1	Supply voltage	V_{CC}	-0.3	4.0	V	
2	Input voltage	$V_{Tune},$ $V_{EN_GSM},$ V_{EN_DCS}	-0.3	V_{CC}	V	
3	Output voltage	V_{Out}		V_{CC}	V	
4	Junction Temperature	T_J		125	$^{\circ}\text{C}$	
5	Storage Temperature	T_S	-40	125	$^{\circ}\text{C}$	
6	Thermal Resistance	R_{thJA}		200	K/W	
7	ESD integrity	V_{ESD}		1.25	kV	Human body model acc. EIA/JESD22-A114-B

4.1.2 Operating Range

Within the operational range the IC operates as described in the circuit description.
Supply voltage $V_{CC} = 2.7$ to $2.95V$, ambient temperature $T_A = -20$ to $75^{\circ}C$,
 $V_{Tune}=0.5$ to $1.9V$ (DCS), $V_{Tune}=1.1$ to $1.9V$ (GSM), Output VSWR<4:1

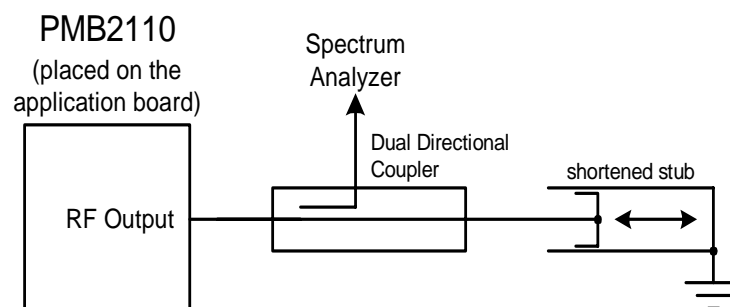
Table 4-2 Operating Range

#	Parameter	Symbol	Limit Values		Unit	Test Conditions	■	Item	
			min	max					
Frequency									
1	Frequency Range	f_L	880	915	MHz	GSM900 *)	■		
2	Frequency Range	f_H	1710	1785	MHz	DCS1800 *)	■		
Control inputs									
3	Frequency Control Voltage	V_{in}	+0.1	V_{cc}	V	Oscillation Signal available, but Frequency can be outside specified Range. The AC/DC characteristic limits are not guaranteed	■		
4	Control inputs OSW, PD		0	V_{cc}	V				
5	Input capacitance OSW, PD	C_{Input}		2	pF		■		
Stability:									
6	No parasitic oscillation under any output termination **)							■	

■ guaranteed by design.

*) Minimum frequency range covered under all operating range conditions

***)Measurement Setup for Stability:



4.1.3 Current Consumption and Operation Modes

All current consumption values are measured with $V_{CC}=2.8V$.

Mode	Logic		Current (typ.) [mA]		
	PD	BSW			total
Off	L	X			< 10 μ A
GSM900	H	L			28
DCS1800	H	H			32

4.1.4 AC/DC Characteristics

AC/DC characteristics involve the spread of values guaranteed within the specified supply voltage and ambient temperature range.

Typical characteristics are the median of the production at $T_A=25^\circ C$.

#	Parameter	Symbol	Limit Values			Unit	Test Conditions	Item
			min	typ	max			
GSM Mode								
1	Supply Current	I_{total}		28	34	mA	$T_a=-20^\circ C..75^\circ C$	1.1
2	Frequency Range	f_L	880		915	MHz	$T_a=-20^\circ C..75^\circ C$	2.1
3	Control Voltage	V_{Tune}	1.1		1.9	V	$T_a=-20^\circ C..75^\circ C$	3.1
4	Tuning Sensitivity	K_{VCO}	76	90	104	MHz/V	dV_{tune} measured within a $\pm 5MHz$ frequency step.	4.1
4a	Tuning Sensitivity	K_{VCO}	75	90	105	MHz/V	dV_{tune} measured within a $\pm 5MHz$ frequency step. $T_a=-20^\circ C..75^\circ C$	4.2
5	Frequency Pushing	Δf_{Push}			1.0	MHz	$V_{CC}=2.8 \pm 0.1V$ $T_a=-20^\circ C..75^\circ C$	5.1

Table 4-4 AC/DC Characteristics with $T_A = 25^\circ\text{C}$, $V_{CC} = 2.7\text{V}$ to 2.95V valid within the specified frequency range.

#	Parameter	Symbol	Limit Values			Unit	Test Conditions	Item
			min	typ	max			
6	Load Pulling	Δf_{Pull}			1.5	MHz	VSWR=4:1, all phases $T_a = -20^\circ\text{C}..75^\circ\text{C}$	6.1
7	SSB Phase Noise @ Δf 400kHz 10000kHz 20000kHz	L_ϕ				dBc/Hz	$T_a = -20^\circ\text{C}..75^\circ\text{C}$	7.1
8	Output power	P_{out}	4	6	8	dBm		8.1
8a	Output power	P_{out}	3	6	9	dBm	$T_a = -20^\circ\text{C}..75^\circ\text{C}$	8.2
9	Harmonics				-15	dBc	$T_a = -20^\circ\text{C}..75^\circ\text{C}$	9.1
10	Spurious emissions				-80	dBc	$T_a = -20^\circ\text{C}..75^\circ\text{C}$	10.1

DCS1800

11	Supply Current	I_{total}		32	37	mA	$T_a = -20^\circ\text{C}..75^\circ\text{C}$	11.1
12	Frequency Range	f_f	1710		1785	MHz	$T_a = -20^\circ\text{C}..75^\circ\text{C}$	12.1
13	Control Voltage	V_{Tune}	0.5		1.9	V	$T_a = -20^\circ\text{C}..75^\circ\text{C}$	13.1
14	Tuning Sensitivity	K_{VCO}	74	92	110	MHz/V	dV_{tune} measured within a $\pm 5\text{MHz}$ frequency step.	14.1
14a	Tuning Sensitivity	K_{VCO}	73	92	111	MHz/V	dV_{tune} measured within a $\pm 5\text{MHz}$ frequency step. $T_a = -20^\circ\text{C}..75^\circ\text{C}$	14.2
15	Frequency Pushing	Δf_{Push}			1.0	MHz	$V_{CC} = 2.8 \pm 0.1\text{V}$ $T_a = -20^\circ\text{C}..75^\circ\text{C}$	15.1

Table 4-4 AC/DC Characteristics with $T_A = 25^\circ\text{C}$, $V_{CC} = 2.7\text{V}$ to 2.95V valid within the specified frequency range.

#	Parameter	Symbol	Limit Values			Unit	Test Conditions	Item
			min	typ	max			
16	Load Pulling	Δf_{Pull}			3	MHz	VSWR \leq 4:1, all phases $T_a = -20^\circ\text{C}..75^\circ\text{C}$	16.1
17	SSB Phase Noise @ Δf 400kHz 20000kHz	L_ϕ				dBc/Hz	$T_a = -20^\circ\text{C}..75^\circ\text{C}$	17.1
18	Output power	P_{out}	4	6	8	dBm		18.1
18a	Output power	P_{out}	3	6	9	dBm	$T_a = -20^\circ\text{C}..75^\circ\text{C}$	18.2
19	Harmonics				-15	dBc	$T_a = -20^\circ\text{C}..75^\circ\text{C}$	19.1
20	Spurious emissions				-75	dBc	$T_a = -20^\circ\text{C}..75^\circ\text{C}$	20.1

Differential output (OUT_MIX)

	Differential output impedance	Z_{out}		100		Ω	Measurement condition	
21	Output Power		-12	-9	-6	dBm		21.1
21a	Output Power		-13	-9	-5	dBm	$T_a = -20^\circ\text{C}..75^\circ\text{C}$ +)	21.2
			-25			dBm	$V_{\text{Tune}} = 0.1.. V_{\text{CC}}$ $T_a = -20^\circ\text{C}..75^\circ\text{C}$	21.3
22	Harmonics				-20	dBc	$T_a = -20^\circ\text{C}..75^\circ\text{C}$	22.1

+) Any output termination at OUT_GSM and OUT_DCS resp. measurement setup as for stability

Control inputs

23	Frequency Control Input Current	I_{Tune}			2	nA	$T_a = -20^\circ\text{C}..75^\circ\text{C}$	23.1
24	Control Voltage Input Capacitance	C_{Tune}	16		30	pF	$T_a = -20^\circ\text{C}..75^\circ\text{C}$	24.1

Table 4-4 AC/DC Characteristics with $T_A = 25^\circ\text{C}$, $V_{CC} = 2.7\text{V}$ to 2.95V valid within the specified frequency range.

#	Parameter	Symbol	Limit Values			Unit	Test Conditions	■ Item
			min	typ	max			
25	Digital control inputs H-Input Volt.	V_{IH}	1.5			V	$V_{CC}=2.7\text{V}$, $T_a=-20^\circ\text{C}..75^\circ\text{C}$	25.1
26	Digital control inputs L-Input Volt.	V_{IL}	0		0.5	V	$T_a=-20^\circ\text{C}..75^\circ\text{C}$	26.1
27	Digital control inputs H-Input Curr.	I_{IH}			30	μA	$T_a=-20^\circ\text{C}..75^\circ\text{C}$	27.1
28	Digital control inputs L-Input Curr.	I_{IL}	-30			μA	$T_a=-20^\circ\text{C}..75^\circ\text{C}$	28.1
29	Tswitch	t_{swON}			4	μs	Oscillation signal available after Power on or change of band $T_a=-20^\circ\text{C}..75^\circ\text{C}$	■ 29.1
30	Tswitch	t_{swOFF}			4	μs	Output power <-20dBm $T_a=-20^\circ\text{C}..75^\circ\text{C}$	■ 30.1

■ guaranteed by design.

4.2 Output Impedance

Table 4-5 Output Impedance

Pin	f	
OUT_GSM	900	$(43-j5)\Omega$
OUT_DCS	1750	$(24-j12)\Omega$
OUT_MIXX/OUT_MIX	900	$(81-j8)\Omega$
OUT_MIXX/OUT_MIX	1750	$(78+j4)\Omega$

Note:

Values are simulated.

Differential output impedances are single ended impedances for each pin.

4.3 Test Conditions

Unless otherwise specified, the performance indicated in this section shall be achievable using an FR4 circuit board, with a solid ground plane as the secondary layer.

4.4 Test Circuit

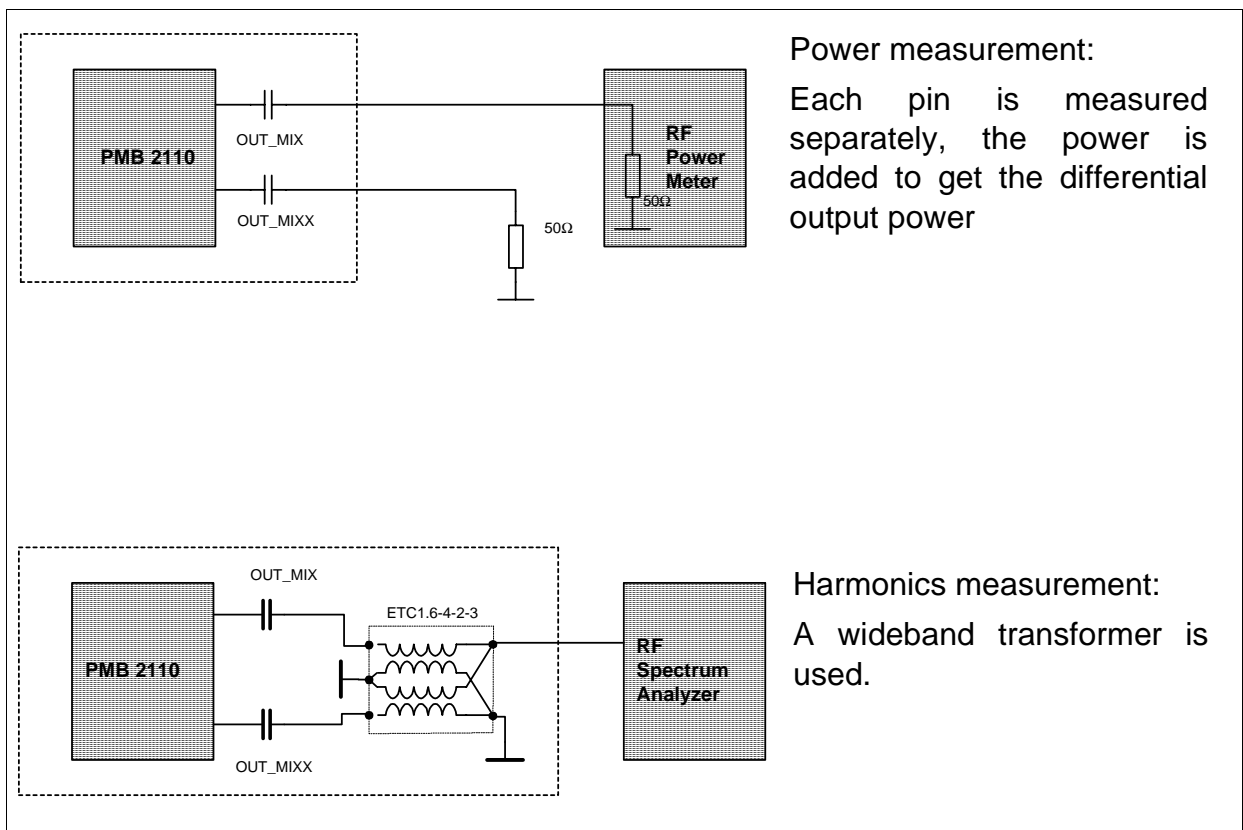


Figure 4-1 Test Circuit, differential output