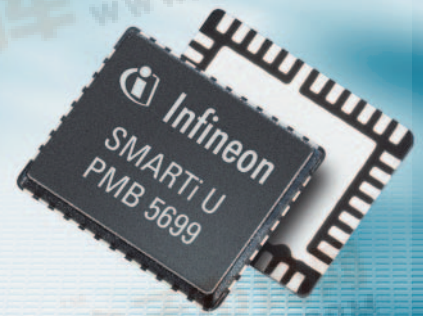


PMB 5699

SMARTi U Single-Chip
W-CDMA/UMTS Transceiver



SMARTi U – First Single-Chip UMTS/W-CDMA RF-Transceiver

Infineon has designed the first single-chip UMTS/ W-CDMA RF-transceiver IC SMARTi U to be used in mobile applications according 3GPP (FDD, 2100 MHz) requirements.

SMARTi U (PMB 5699) offers lowest component count and smallest PCB area at lowest current consumption.

The full homodyne architecture and flexible control concept reduces significantly implementation efforts and time-to-market.

Features

- Integration of receive and transmit path
 - Smallest size
 - Lowest component count
 - Less requirements on PCB layout
- Fully integrated synthesizers
 - No external tank circuit
 - No external frequency adjustment required
- Fully homodyne architecture
 - No IF (intermediate frequency) stage
 - No IF-SAW filter
 - Easiest frequency concept
- Lowest current consumption
 - Highest stand-by and talk time
- Integrated receive channel filter
 - Reduced baseband efforts
- Integrated transmit filter
 - Reduced baseband signal requirements
- Flexible baseband interface
 - Supporting various baseband solutions
 - Various reference frequencies
 - Adjustable I/Q interface
 - Flexible 3-wire-bus concept
 - Supporting multi-mode
- Lowest external component count
 - No external components for DC-offset compensation
 - No external components for channel filtering

General

- Supply voltage: 2.7 - 3.0 V
- 3-Wire bus programmable
- Low external component count
- Temperature range -25 to 85°C
- P-VQFN-40 leadless package
- 6.5 x 5.5 mm, 0.5 mm pitch
- Integrated synthesizers

Rx

- Direct conversion receiver
- Integrated channel filter
- Integrated DC-offset compensation

Tx

- Direct modulation transmitter
- Integrated VGA
- Dynamic range > 85 dB

Applications

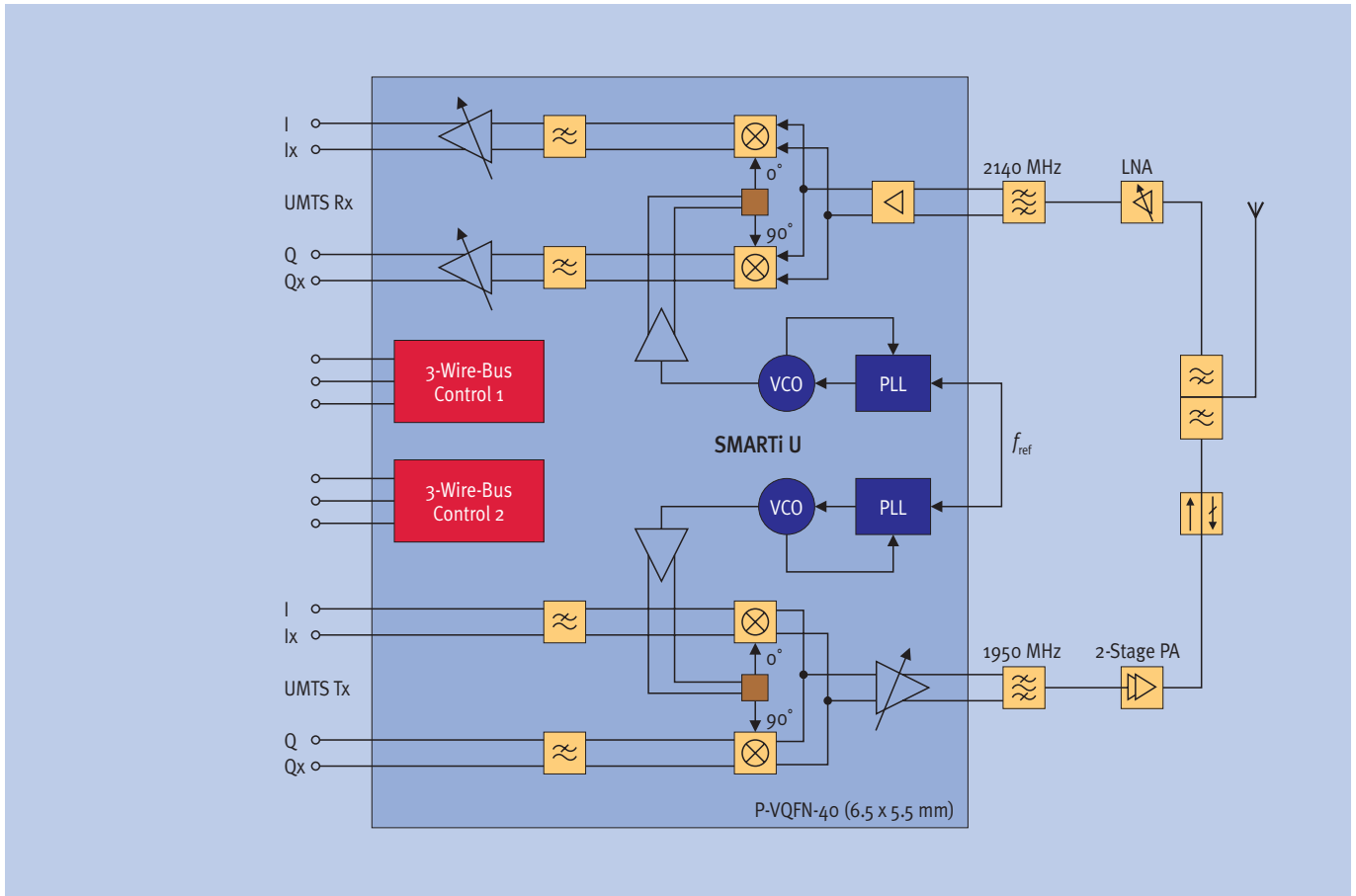
- UTRA FDD standard
- Power class 3
- Fixed and variable duplex
- Compressed mode
- Dual-receive
- Cellular phones
- PDAs and handhelds

www.infineon.com/mobilesolutions

Mobile Solutions



Block Diagram SMARTi U



How to reach us:

<http://www.infineon.com>

Published by
Infineon Technologies AG,
St.-Martin-Strasse 53,
D-81669 München

© Infineon Technologies AG 2004.
All Rights Reserved.

Template: pb_tmplt.fm/4/2004-01-01

Attention please!

The information herein is given to describe certain components and shall not be considered as a guarantee of characteristics.

Terms of delivery and rights to technical change reserved.

We hereby disclaim any and all warranties, including but not limited to warranties of non-infringement, regarding circuits, descriptions and charts stated herein.

Information

For further information on technology, delivery terms and conditions and prices please contact your nearest Infineon Technologies Office.

Warnings

Due to technical requirements components may contain dangerous substances. For information on the types in question please contact your nearest Infineon Technologies Office.

Infineon Technologies Components may only be used in life-support devices or systems with the express written approval of Infineon Technologies, if a failure of such components can reasonably be expected to cause the failure of that life-support device or system, or to affect the safety or effectiveness of that device or system. Life support devices or systems are intended to be implanted in the human body, or to support and/or maintain and sustain and/or protect human life. If they fail, it is reasonable to assume that the health of the user or other persons may be endangered.