

PQ2CF1 (Under Development)

TO-220 Package, Step Up Output Chopper Regulator

■ Features

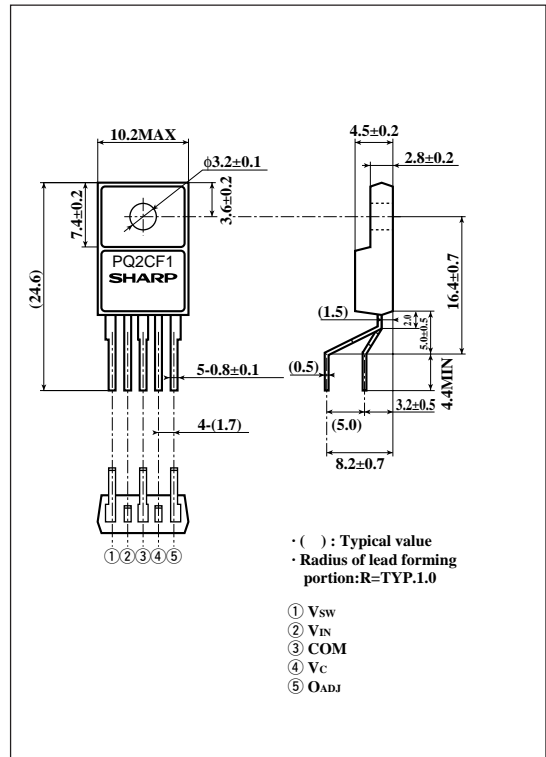
- Maximum switching current : 2.5A
- Built-in soft start function
- Built-in oscillation circuit
(oscillation frequency : TYP.50kHz)
- Built-in overheat protection, overcurrent protection function
- Variable output voltage (4.5 to 40V)
[Possible to choose step up output/flyback method according to external connection circuit]

■ Applications

- Personal computers/Word processors
- Printers
- Switching power supplies
- Facsimiles

■ Outline Dimensions

(Unit : mm)



■ Absolute Maximum Ratings

(T_a=25°C)

Parameter	Symbol	Rating	Unit
*1 Input voltage	V _{IN}	35	V
*2 Switching voltage	V _{SW}	35	V
Error input voltage	V _{ADJ}	7	V
*3 ON/OFF control voltage	V _C	7	V
Switching current	I _{SW}	2.5	A
Power dissipation (No heat sink)	P _{D1}	1.5	W
Power dissipation (With infinite heat sink)	P _{D2}	15	W
*4 Junction temperature	T _j	150	°C
Operating temperature	T _{opr}	-20 to +80	°C
Storage temperature	T _{stg}	-40 to +150	°C
Soldering temperature	T _{sol}	260 (For 10s)	°C

*1 Voltage between V_{IN} terminal and COM terminal

*2 Voltage between V_{SW} terminal and COM terminal

*3 Voltage between V_C terminal and COM terminal

*4 Overheat protection may operate at 125=<T_j=<150°C.

· Please refer to the chapter " Handling Precautions ".

SHARP

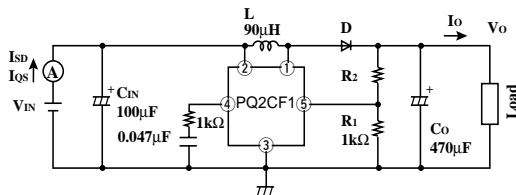
" In the absence of confirmation by device specification sheets, SHARP takes no responsibility for any defects that may occur in equipment using any SHARP devices shown in catalogs, data books, etc. Contact SHARP in order to obtain the latest version of the device specification sheets before using any SHARP's device. "

■ Electrical Characteristics

(Unless otherwise specified, conditions shall be $V_{IN}=5V, I_o=0.2A, V_C=12V, T_a=25^{\circ}C$)

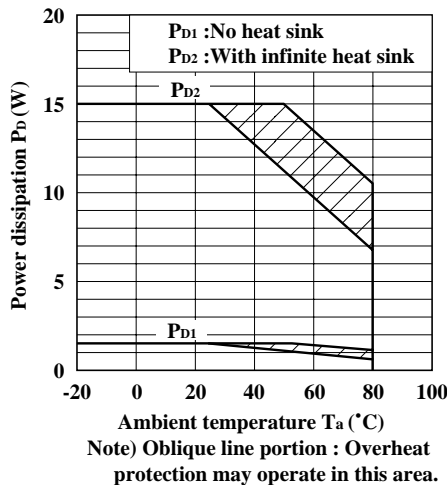
Parameter	Symbol	Conditions	MIN.	TYP.	MAX.	Unit
Output saturation voltage	V_{SAT}	$I_{SW}=2A$	-	0.6	1.2	V
Reference voltage	V_{ref}	-	1.235	1.26	1.285	V
Temperature change in reference voltage	ΔV_{ref}	$T_j=0$ to $125^{\circ}C$	-	± 0.5	-	%
Load regulation	$ R_{egL} $	$I_o=70$ to $570mA$	-	0.1	1.5	%
Line regulation	$ R_{egI} $	$V_{IN}=3.5$ to $10V$	-	0.2	1.5	%
Efficiency	η	$I_o=0.5A$	-	85	-	%
Oscillation frequency	f_o	-	40	50	60	kHz
Oscillation frequency temperature fluctuation	Δf_o	$T_j=0$ to $125^{\circ}C$	-	± 5	-	%
Maximum duty	D_{MAX}	⑤ terminal is open	90	-	-	%
Over current detecting level	I_L	Duty=50%,	2.7	4.4	5.8	A
Charge current 1	I_{CHG1}	④ terminal=0V, ④ terminal	-80	-50	-20	μA
Charge current 2	I_{CHG2}	④ terminal=0.5V, ④ terminal	-150	-100	-50	μA
Input threshold voltage	V_{THL}	Duty=0%, ④ terminal	0.55	0.75	0.95	V
Vc terminal low level voltage	V_{CH}	① terminal is open, ⑤ terminal=1.1V	1.65	1.85	2.05	V
Vc terminal high level voltage	V_{CL}	① terminal is open, ⑤ terminal=1.4V	0.3	0.45	0.6	V
On threshold voltage	V_{THON}	① terminal is open, ④ terminal	0.1	0.2	0.3	V
Stand-by current	I_{SD}	$V_{IN}=35V$, ④ terminal=0V, No L, Co, D, R1, R2	-	270	400	μA
Output OFF-state consumption current	I_{qS}	$V_{IN}=35V$, ④ terminal=0.5V, No L, Co, D, R1, R2	-	4.0	12	mA

Fig.1 Test Circuit

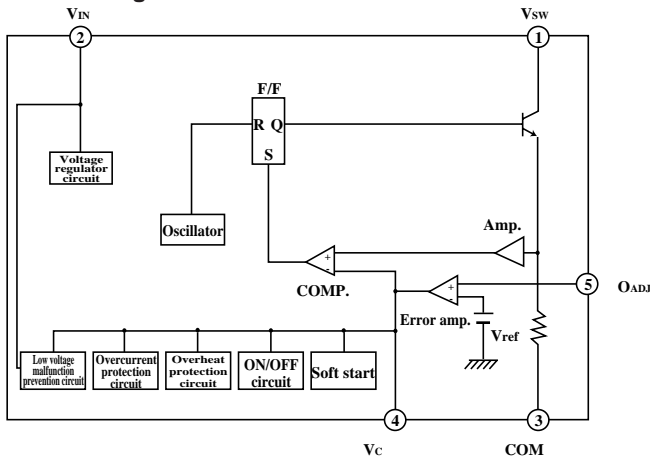


L : HK-12S100-9000 (made by Toho Co.)
 D : ERC80-004 (made by Fuji electronics Co.)

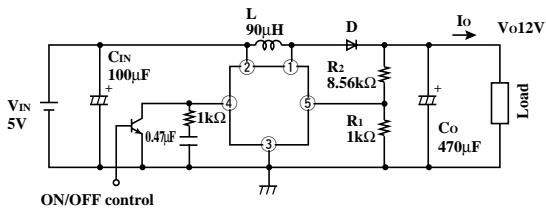
Fig.2 Power Dissipation vs. Ambient Temperature



■ Block Diagram



■ Step Up Type Circuit Diagram (12V output)



■ Flyback Method Circuit Diagram

