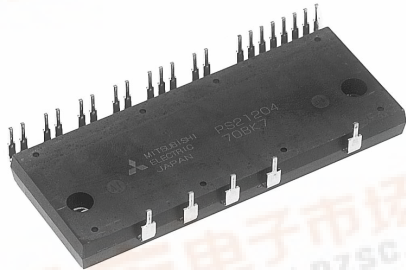


# PS21204

TRANSFER-MOLD TYPE  
INSULATED TYPE

## PS21204



### INTEGRATED POWER FUNCTIONS

600V/15A low-loss 3rd generation IGBT inverter bridge for 3 phase DC-to-AC power conversion (Fig. 2)

Application Motor Ratings : Power : 0.75kW, sinusoidal, PWM  
Frequency=5kHz

100% load current : 5.0A (rms)\*

150% load current : 7.5A (rms)\*,  
1 minute.

\*(Note) : The motor current is assumed to be sinusoidal and the peak current value is defined as :  $I_0 \times \sqrt{2}$

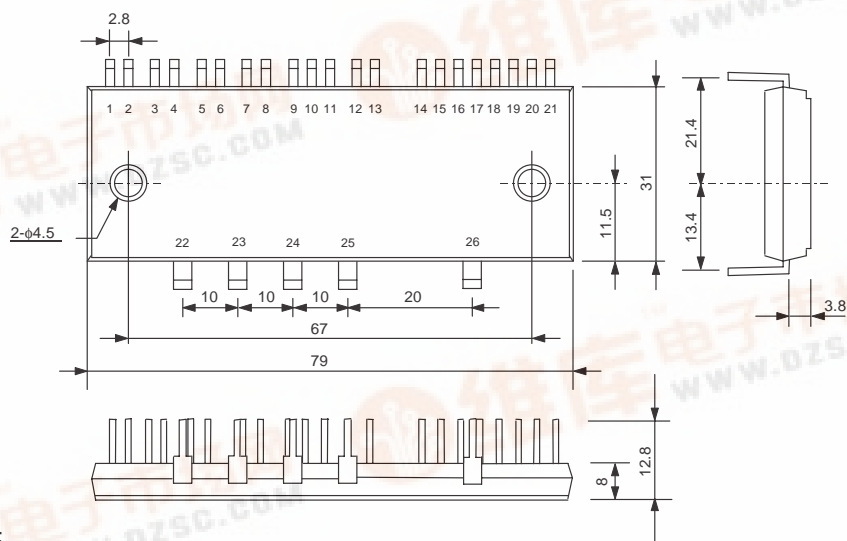
### INTEGRATED DRIVE, PROTECTION AND SYSTEM CONTROL FUNCTIONS

- For upper-leg IGBTs : Drive circuit, High voltage isolated high-speed level shifting, Control circuit under-voltage (UV) protection.  
Note : Bootstrap supply scheme can be applied (Fig. 2).
- For lower-leg IGBTs : Drive circuit, Control circuit under-voltage protection (UV), Short circuit protection (SC). (Fig. 3)
- Fault signaling : Corresponding to a SC fault (Low-side IGBT) or a UV fault (Low-side supply).
- Input interface : 5V line CMOS/TTL compatible, Schmitt Trigger receiver circuit.

## APPLICATION

AC100V~200V three-phase inverter drive for small power (0.75 kW) motor control.

Fig. 1 PACKAGE OUTLINES



### TERMINALS CODE

1. UP	4. VUFS	7. VVFB	10. VP1	13. VWFS	16. CIN	19. UN	22. P	25. W
2. VP1	5. VP	8. VVFS	11. VPC	14. VN1	17. CFO	20. VN	23. U	26. N
3. VUFB	6. VP1	9. WP	12. VWFB	15. VNC	18. Fo	21. WN	24. V	

Fig. 2 INTERNAL FUNCTIONS BLOCK DIAGRAM (TYPICAL APPLICATION EXAMPLE)

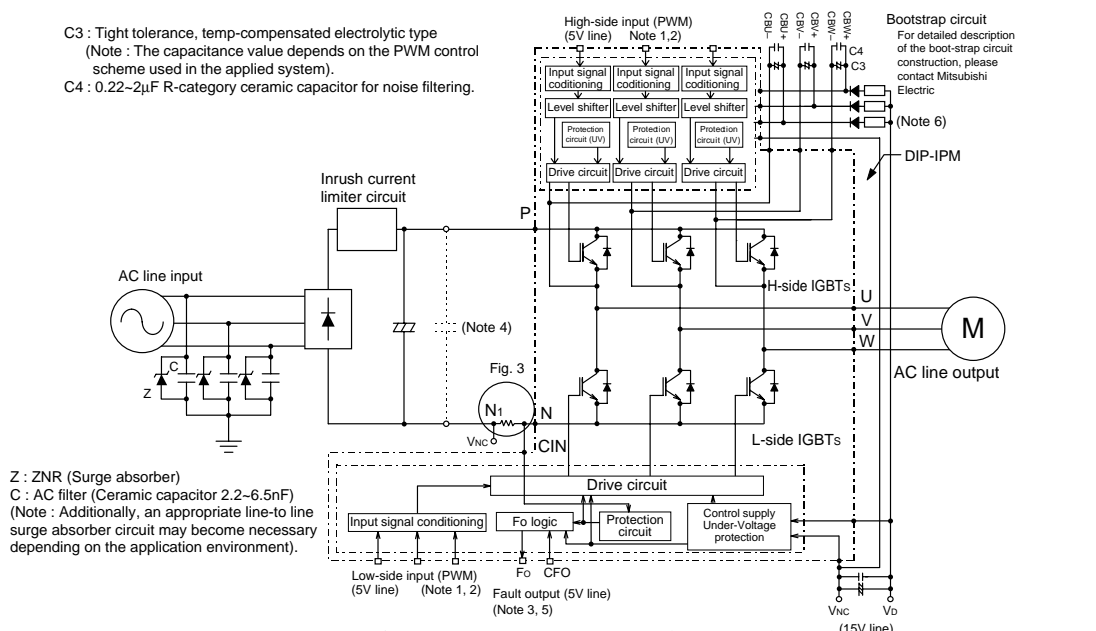
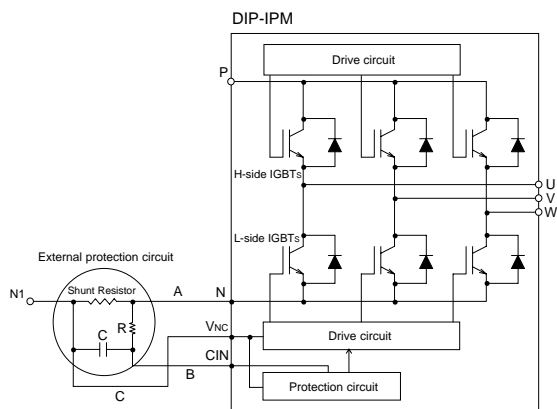
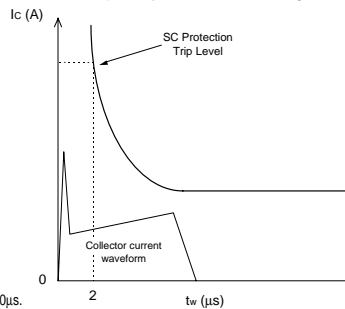


Fig. 3 EXTERNAL PART OF THE DIP-IPM PROTECTION CIRCUIT



Short Circuit Protective Function (SC) :  
SC protection is achieved by sensing the L-side DC-Bus current (through the external shunt resistor) after allowing a suitable filtering time (defined by the RC circuit). When the sensed shunt voltage exceeds the SC trip-level, all the L-side IGBTs are turned OFF and a fault signal (Fo) is output. Since the SC fault may be repetitive, it is recommended to stop the system when the Fo signal is received and check the fault.



- Note1: In the recommended external protection circuit, please select the RC time constant in the range 1.5~2.0 $\mu$ s.  
2: To prevent erroneous protection operation, the wiring of A, B, C should be as short as possible.

# PS21204

TRANSFER-MOLD TYPE  
INSULATED TYPE

**MAXIMUM RATINGS** ( $T_j = 25^\circ\text{C}$ , unless otherwise noted)

**INVERTER PART**

Symbol	Parameter	Condition	Ratings	Unit
VCC	Supply voltage	Applied between P-N	450	V
VCC(surge)	Supply voltage (surge)	Applied between P-N	500	V
VCEs	Collector-emitter voltage		600	V
$\pm I_C$	Each IGBT collector current	$T_c = 25^\circ\text{C}$	15	A
$\pm I_{CP}$	Each IGBT collector current (peak)	$T_c = 25^\circ\text{C}$ , instantaneous value (pulse)	30	A
PC	Collector dissipation	$T_c = 25^\circ\text{C}$ , per 1 chip	43	W
$T_j$	Junction temperature	(Note 1)	-20~+150	$^\circ\text{C}$

**Note 1 :** The maximum junction temperature rating of the power chips integrated within the DIP-IPM is  $150^\circ\text{C}$  (@  $T_c \leq 100^\circ\text{C}$ ) however, to insure safe operation of the DIP-IPM, the average junction temperature should be limited to  $T_{j(\text{ave})} \leq 125^\circ\text{C}$  (@  $T_c \leq 100^\circ\text{C}$ ).

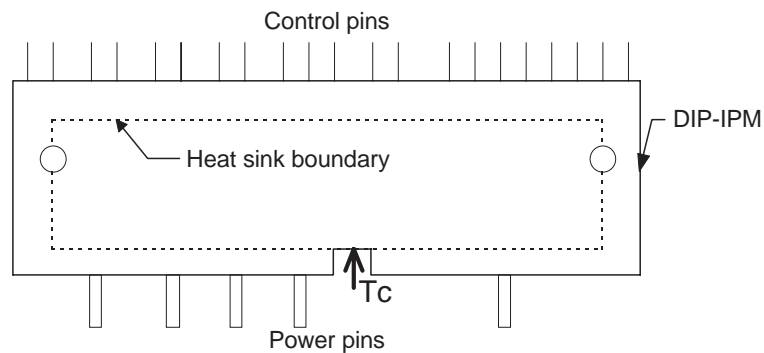
**CONTROL (PROTECTION) PART**

Symbol	Parameter	Condition	Ratings	Unit
V <sub>D</sub>	Control supply voltage	Applied between V <sub>P1</sub> -V <sub>PC</sub> , V <sub>N1</sub> -V <sub>NC</sub>	20	V
V <sub>DB</sub>	Control supply voltage	Applied between V <sub>UFB</sub> -V <sub>UFS</sub> , V <sub>VFB</sub> -V <sub>VFS</sub> , V <sub>WFB</sub> -V <sub>WFS</sub>	20	V
V <sub>CIN</sub>	Input voltage	Applied between U <sub>P</sub> , V <sub>P</sub> , W <sub>P</sub> -V <sub>PC</sub> , U <sub>N</sub> , V <sub>N</sub> , W <sub>N</sub> -V <sub>NC</sub>	-0.5~+5.5	V
V <sub>FO</sub>	Fault output supply voltage	Applied between F <sub>O</sub> -V <sub>NC</sub>	-0.5~V <sub>D</sub> +0.5	V
I <sub>FO</sub>	Fault output current	Sink current at F <sub>O</sub> terminal	15	mA
V <sub>SC</sub>	Current sensing input voltage	Applied between C <sub>IN</sub> -V <sub>NC</sub>	-0.5~V <sub>D</sub> +0.5	V

**TOTAL SYSTEM**

Symbol	Parameter	Condition	Ratings	Unit
VCC(PROT)	Self protection supply voltage limit (short circuit protection capability)	V <sub>D</sub> = V <sub>DB</sub> = 13.5~16.5V, Inverter part $T_j = 125^\circ\text{C}$ , non-repetitive, less than 2 $\mu\text{s}$	400	V
T <sub>C</sub>	Module case operation temperature	(Note 2)	-20~+100	$^\circ\text{C}$
T <sub>stg</sub>	Storage temperature		-40~+125	$^\circ\text{C}$
V <sub>iso</sub>	Isolation voltage	60Hz, Sinusoidal, AC 1 minute, connection pins to heat-sink plate	1500	V <sub>rms</sub>

**Note 2 : T<sub>C</sub> MEASUREMENT POINT**



**THERMAL RESISTANCE**

Symbol	Parameter	Condition	Limits			Unit
			Min.	Typ.	Max.	
R <sub>th(j-c)Q</sub>	Junction to case thermal resistance	Inverter IGBT part (per 1/6 module)	—	—	2.85	°C/W
R <sub>th(j-c)F</sub>		Inverter FWDi part (per 1/6 module)	—	—	4.5	
R <sub>th(c-f)</sub>	Contact thermal resistance	Case to fin, (per 1 module) thermal grease applied	—	—	0.067	

**ELECTRICAL CHARACTERISTICS** (T<sub>j</sub> = 25°C, unless otherwise noted)

**INVERTER PART**

Symbol	Parameter	Condition	Limits			Unit
			Min.	Typ.	Max.	
V <sub>CE(sat)</sub>	Collector-emitter saturation voltage	V <sub>D</sub> = V <sub>DB</sub> = 15V V <sub>CIN</sub> = 0V I <sub>C</sub> = 15A, T <sub>j</sub> = 25°C I <sub>C</sub> = 15A, T <sub>j</sub> = 125°C	—	1.8 2.0	—	V
V <sub>EC</sub>	FWDi forward voltage	T <sub>j</sub> = 25°C, -I <sub>C</sub> = 15A, V <sub>CIN</sub> = 5V	—	2.2	—	V
t <sub>on</sub>	Switching times	V <sub>CC</sub> = 300V, V <sub>D</sub> = V <sub>DB</sub> = 15V I <sub>C</sub> = 15A, T <sub>j</sub> = 125°C, V <sub>CIN</sub> = 5V → 0V Inductive load (upper-lower arm) <b>Note:</b> t <sub>on</sub> , t <sub>off</sub> include delay time of the internal control circuit	—	0.7	—	μs
t <sub>tr</sub>			—	0.1	—	
t <sub>c(on)</sub>			—	0.4	—	
t <sub>off</sub>			—	1.9	—	
t <sub>c(off)</sub>			—	0.9	—	
I <sub>CES</sub>	Collector-emitter cut-off current	V <sub>CE</sub> = V <sub>CES</sub> T <sub>j</sub> = 25°C T <sub>j</sub> = 125°C	—	—	1.0 10	mA

**CONTROL (PROTECTION) PART**

Symbol	Parameter	Condition	Limits			Unit	
			Min.	Typ.	Max.		
V <sub>D</sub>	Control supply voltage	Applied between V <sub>P1</sub> -V <sub>PC</sub> , V <sub>N1</sub> -V <sub>NC</sub>	13.5	15.0	16.5	V	
V <sub>DB</sub>	Control supply voltage	Applied between V <sub>UFB</sub> -V <sub>UFS</sub> , V <sub>VFB</sub> -V <sub>VFS</sub> , V <sub>WFB</sub> -V <sub>WFS</sub>	13.5	15.0	16.5	V	
I <sub>D</sub>	Circuit current	V <sub>D</sub> = V <sub>DB</sub> = 15V, input = OFF V <sub>UFB</sub> -V <sub>UFS</sub> , V <sub>VFB</sub> -V <sub>VFS</sub> , V <sub>WFB</sub> -V <sub>WFS</sub>	—	4.25	8.50	mA	
		V <sub>D</sub> = V <sub>DB</sub> = 15V, input = ON V <sub>UFB</sub> -V <sub>UFS</sub> , V <sub>VFB</sub> -V <sub>VFS</sub> , V <sub>WFB</sub> -V <sub>WFS</sub>	—	4.95	9.70	mA	
		V <sub>D</sub> = V <sub>DB</sub> = 15V, input = OFF V <sub>UFB</sub> -V <sub>UFS</sub> , V <sub>VFB</sub> -V <sub>VFS</sub> , V <sub>WFB</sub> -V <sub>WFS</sub>	—	0.50	1.00	mA	
		V <sub>D</sub> = V <sub>DB</sub> = 15V, input = ON V <sub>UFB</sub> -V <sub>UFS</sub> , V <sub>VFB</sub> -V <sub>VFS</sub> , V <sub>WFB</sub> -V <sub>WFS</sub>	—	0.50	1.00	mA	
V <sub>FOH</sub>	Fault output voltage	V <sub>SC</sub> = 0V, F <sub>O</sub> circuit : 10kΩ to 5V pull-up	4.9	—	—	V	
V <sub>FOL</sub>		V <sub>SC</sub> = 1V, F <sub>O</sub> circuit : 10kΩ to 5V pull-up	—	1.0	2.0	V	
V <sub>FOsat</sub>		V <sub>SC</sub> = 1V, I <sub>FO</sub> = 15mA	0.8	1.2	1.8	V	
f <sub>PWM</sub>	PWM input frequency	T <sub>C</sub> ≤ 100°C, T <sub>j</sub> ≤ 125°C	—	5.0	—	kHz	
t <sub>dead</sub>	Allowable deadtime	Relates to corresponding input signal for blocking arm shoot-through. -20°C ≤ T <sub>C</sub> ≤ 100°C	3.0	—	—	μs	
V <sub>SC(ref)</sub>	Short circuit trip level	T <sub>j</sub> = 25°C, V <sub>D</sub> = 15°C (Note 2)	0.45	0.5	0.55	V	
UVDBt	Supply circuit under-voltage protection	T <sub>j</sub> ≤ 125°C	Trip level	10.0	—	12.0	V
UVDBr			Reset level	10.5	—	12.5	V
UVDt			Trip level	10.3	—	12.5	V
UVDr			Reset level	10.8	—	13.0	V
t <sub>FO</sub>	Fault output pulse width (Note 3)	C <sub>FO</sub> = 22nF (connected between C <sub>FO</sub> -V <sub>NC</sub> )	1.0	1.8	—	ms	
V <sub>th(on)</sub>	ON threshold voltage	H-side Applied between: UP, VP, WP-V <sub>PC</sub>	0.8	1.4	2.0	V	
V <sub>th(off)</sub>	OFF threshold voltage		2.5	3.0	4.0		
V <sub>th(on)</sub>	ON threshold voltage	L-side Applied between: UN, VN, WN-V <sub>NC</sub>	0.8	1.4	2.0	V	
V <sub>th(off)</sub>	OFF threshold voltage		2.5	3.0	4.0		

**Note 2 :** Short circuit protection is functioning only at the low-arms. Please select the value of the external shunt resistor such that the SC trip level is less than 25.5 A.

**3 :** Fault signal is output when the low-arms short circuit or control supply under-voltage protective functions operate. The fault output pulse-width t<sub>FO</sub> depends on the capacitance value of C<sub>FO</sub> according to the following approximate equation : C<sub>FO</sub> = 12.2 × 10<sup>-6</sup> × t<sub>FO</sub> [F].

# PS21204

TRANSFER-MOLD TYPE  
INSULATED TYPE

## MECHANICAL CHARACTERISTICS AND RATINGS

Parameter	Condition	Limits			Unit	
		Min.	Typ.	Max.		
Mounting torque	Mounting screw : M4	Recommended 12kg·cm	10	—	15	kg·cm
		Recommended 1.18N·m	0.98	—	1.47	N·m
Weight		—	54	—	g	

## RECOMMENDED OPERATION CONDITIONS

Symbol	Parameter	Condition	Limits			Unit
			Min.	Typ.	Max.	
VCC	Supply voltage	Applied between P-N	0	300	400	V
VD	Control supply voltage	Applied between VP1-VPC, VN1-VNC	13.5	15.0	16.5	V
VDB	Control supply voltage	Applied between VUFB-VUFS, VVFB-VVFS, VWFB-VWFS	13.5	15.0	16.5	V
$\Delta V_D, \Delta V_{DB}$	Control supply variation		-1	—	1.0	V/ $\mu$ s
t <sub>dead</sub>	Arm shoot-through blocking time	For each input signal	3	—	—	$\mu$ s
f <sub>PWM</sub>	PWM input frequency	T <sub>c</sub> ≤ 100°C, T <sub>j</sub> ≤ 125°C	—	5	—	kHz
VCIN(ON)	Input ON threshold voltage	Applied between UP, VP, WP-VPC	0-0.65			V
VCIN(OFF)	Input OFF threshold voltage	Applied between UN, VN, WN-VNC	4.0-5.5			V

Fig. 4 THE DIP-IPM INTERNAL CIRCUIT

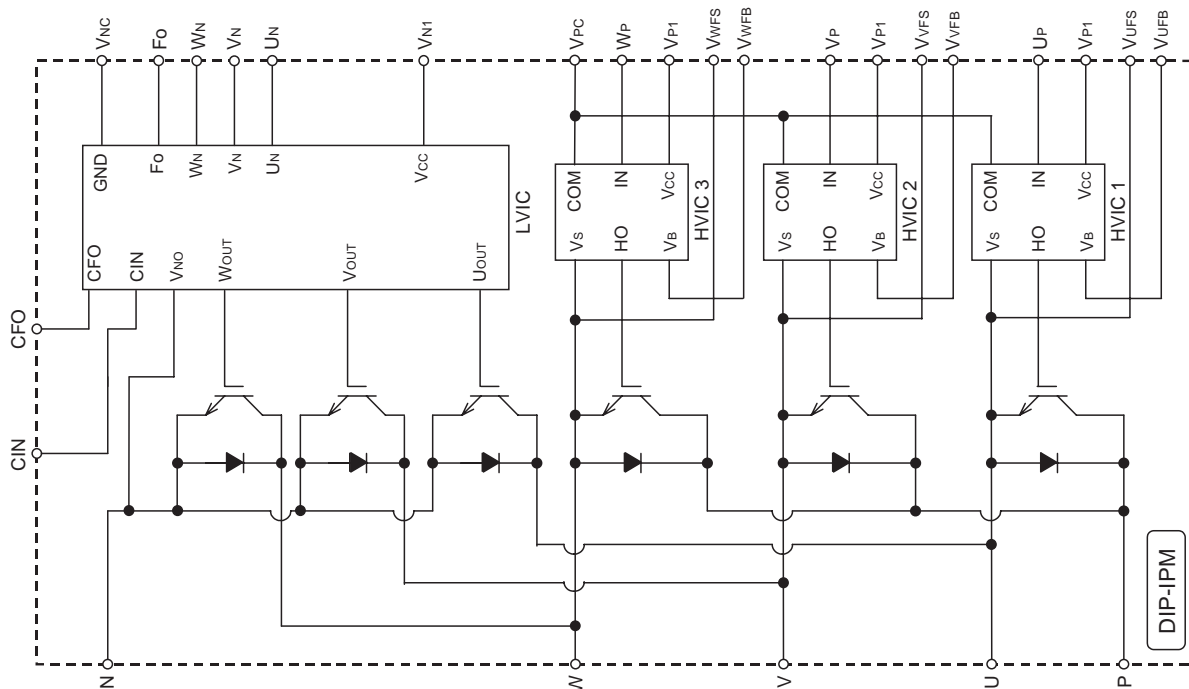
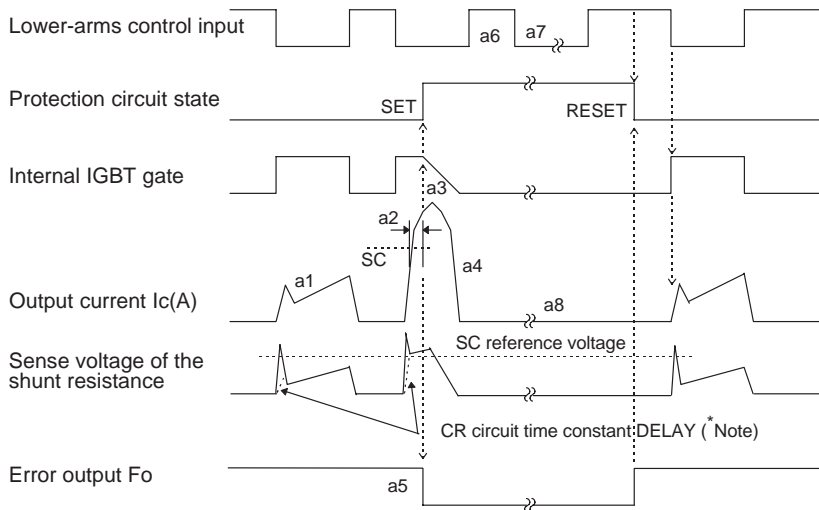


Fig. 5 TIMING CHARTS OF THE DIP-IPM PROTECTIVE FUNCTIONS

[A] Short-Circuit Protection (Lower-arms only)

(For the external shunt resistance and CR connection, please refer to Fig. 3.)

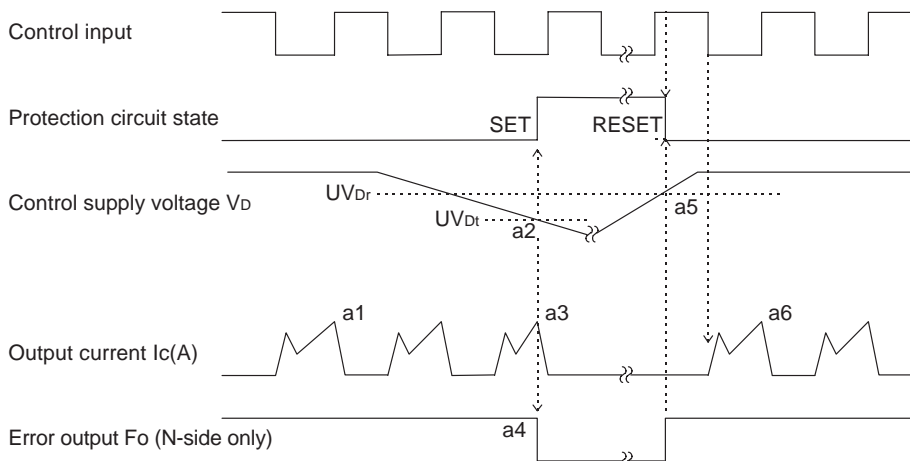
- a1. Normal operation : IGBT ON and carrying current.
- a2. Short circuit current detection (SC trigger).
- a3. Hard IGBT gate interrupt.
- a4. IGBT turns OFF.
- a5. Fo timer operation starts : The pulse width of the Fo signal is set by the external capacitor C<sub>FO</sub>.
- a6. Input "H" : IGBT OFF state.
- a7. Input "L" : IGBT ON state, but during the Fo active signal the IGBT doesn't turn ON.
- a8. IGBT OFF state.



**Note :** The CR time constant safe guards against erroneous SC fault signals resulting from di/dt generated voltages when the IGBT turns ON. The optimum setting for the CR circuit time constant is 1.5~2.0 $\mu$ s.

[B] Under-Voltage Protection (N-side, UV<sub>D</sub>)

- a1. Normal operation : IGBT ON and carrying current.
- a2. Under voltage trip (UV<sub>D</sub>).
- a3. IGBT OFF inspite of control input condition.
- a4. FO timer operation starts : The pulse width of the Fo signal is set by the external capacitor C<sub>FO</sub>.
- a5. Under voltage reset (UV<sub>Dr</sub>).
- a6. Normal operation : IGBT ON and carrying current.



[C] Under-Voltage Protection (P-side, UV<sub>DB</sub>)

- a1. Control supply voltage rises : After the voltage level reaches UV<sub>DBr</sub>, the circuits start to operate when the next input is applied.
- a2. Normal operation : IGBT ON and carrying current.
- a3. Under voltage trip (UV<sub>DBt</sub>).
- a4. IGBT OFF inspite of control input condition, but there is no Fo signal output.
- a5. Under-voltage reset (UV<sub>DBr</sub>).
- a6. Normal operation : IGBT ON and carrying current.

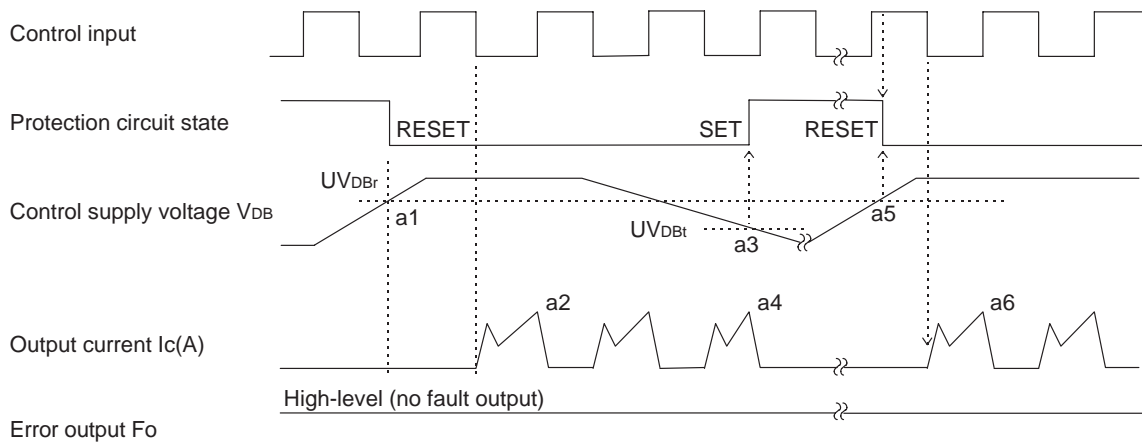
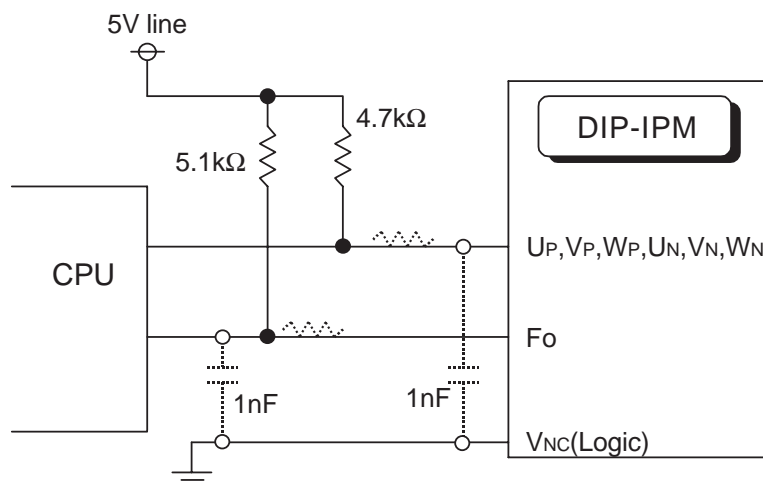


Fig. 7 RECOMMENDED CPU I/O INTERFACE CIRCUIT

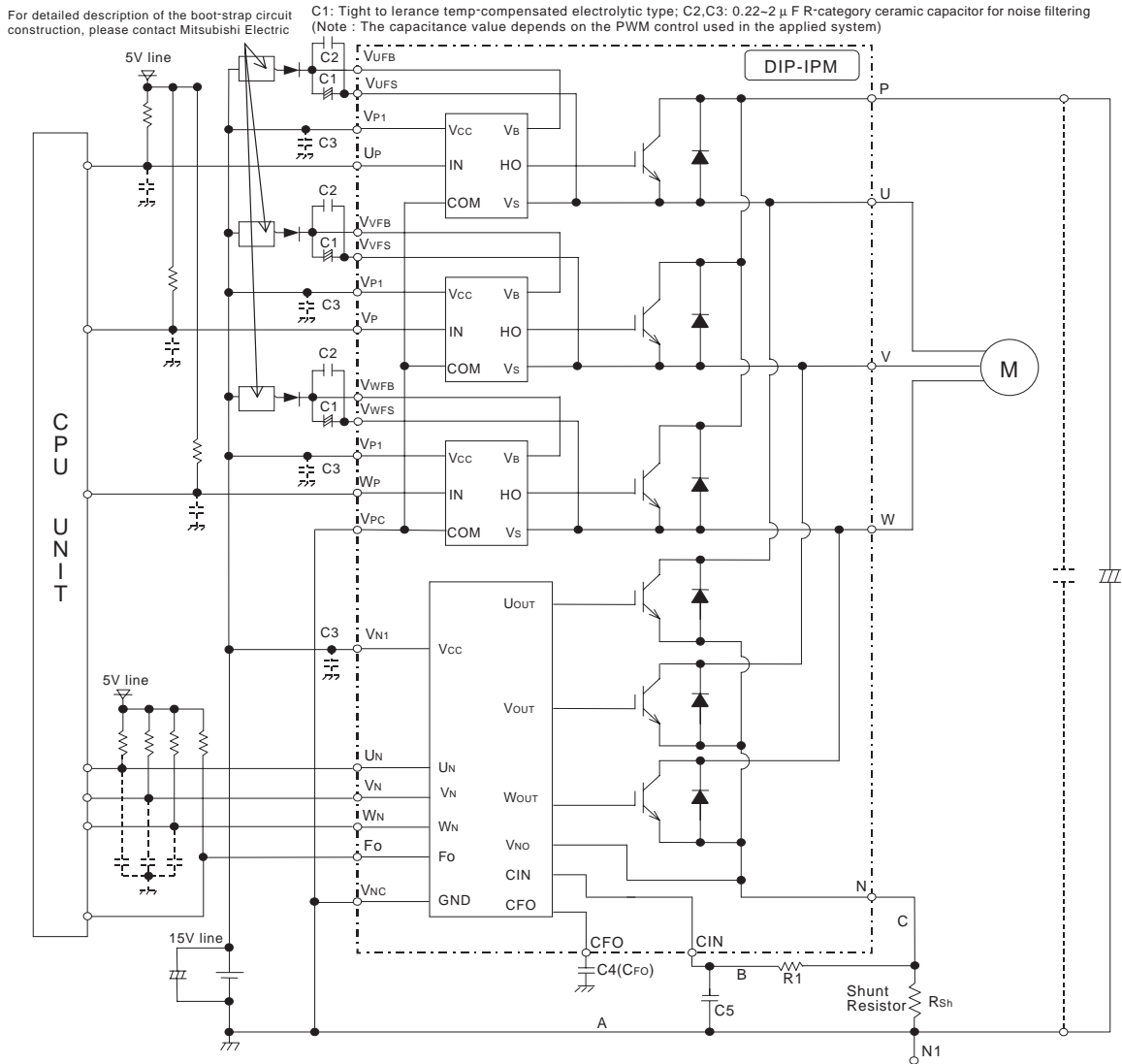


**Note :** RC coupling at each input (parts shown dotted) may change depending on the PWM control scheme used in the application and on the wiring impedances of the application's printed circuit board.

PS21204

TRANSFER-MOLD TYPE  
INSULATED TYPE

Fig. 8 TYPICAL DIP-IPM APPLICATION CIRCUIT EXAMPLE



- Note 1:** To prevent the input signals oscillation, an RC coupling at each input is recommended, and the wiring of each input should be as short as possible. (Less than 2cm)
- 2:** By virtue of integrating an application specific type HVIC inside the module, direct coupling to CPU terminals without any opto-coupler or transformer isolation is possible.
- 3:** Fo output is open collector type. This signal line should be pulled up to the positive side of the 5V power supply with approximately 5.1kΩ resistance.
- 4:** Fo output pulse width should be decided by connecting an external capacitor between Cfo and Vnc terminals (Cfo). (Example : Cfo = 22 nF → tfo = 1.8 ms (typ.))
- 5:** Each input signal line should be pulled up to the 5V power supply with approximately 4.7kΩ resistance (other RC coupling circuits at each input may be needed depending on the PWM control scheme used and on the wiring impedances of the system's printed circuit board). Approximately a 0.22-2μF by-pass capacitor should be used across each power supply connection terminals.
- 6:** To prevent errors of the protection function, the wiring of A, B, C should be as short as possible.
- 7:** In the recommended protection circuit, please select the R1C5 time constant in the range 1.5-2μs.
- 8:** Each capacitor should be put as nearby the pins of the DIP-IPM as possible.
- 9:** To prevent surge destruction, the wiring between the smoothing capacitor and the P&N1 pins should be as short as possible. Approximately a 0.1-0.22μF snubber capacitor between the P&N1 pins is recommended.