

NEC

CURRENT LIMIT TYPE 4 PIN SOP 400 V 1-CH OCMOS FET

PS7241C-1A

FEATURES

- **LIMIT CURRENT:**
ILMT = 155 to 210 mA
- **SMALL AND THIN PACKAGE:**
4 pin SOP, Height = 2.1 mm
- **1 CHANNEL TYPE:**
1a output
- **LOW LED OPERATING CURRENT:**
IF = 2 mA
- **DESIGNED FOR AC/DC SWITCHING LINE CHANGER**
- **LOW OFFSET VOLTAGE**
- **SURFACE MOUNT AVAILABLE:**
PS7241C-1A-E3, E4, F3, F4

DESCRIPTION

The PS7241C-1A is a solid state relay containing GaAs LEDs on the light emitting side (input side) and MOS FETs including current control circuit on the output side. The current control circuit of the OCMOS FET protects this device from thermal breakdown and output circuit.

It is suitable for analog signal control because of its low offset and high linearity.

APPLICATIONS

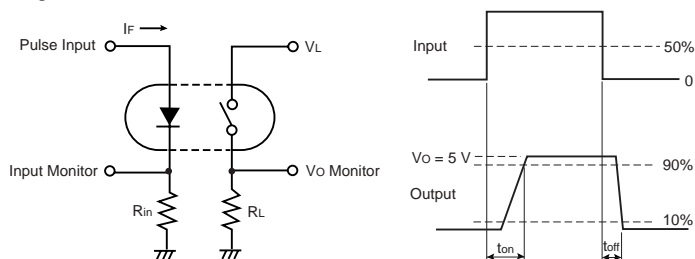
- LAPTOP PC, PDA
- MODEM CARD
- TELEPHONE, FAX
- MEASUREMENT EQUIPMENT

ELECTRICAL CHARACTERISTICS (TA = 25 °C)

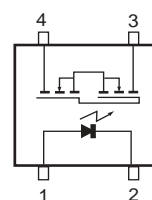
		PART NUMBER		PS7241C-1A			
	SYMBOLS	PARAMETERS		UNITS	MIN	TYP	MAX
Diode	VF	Forward Voltage, IF = 10 mA		V		1.2	1.4
	IR	Reverse Current, VR = 5 V		µA			5.0
MOS FET	ILOFF	Off-State Leakage Current, VD = 400 V		µA			1.0
	COUT	Output Capacitance, VD = 0 V, f = 1 MHz		pF		65	
Coupled	IFon	LED On-State Current, IL = 120 mA		mA			2.0
	Ron1	On-state Resistance, IF = 10 mA, IL = 10 mA		Ω		28	35
	Ron2		IF = 10 mA, IL = 120 mA	Ω		24	30
	tON	Turn-on Time ¹ , IF = 10 mA, Vo = 5 V, PW ≥ 10 ms		ms		0.5	2.0
	tOFF		Turn-off Time ¹	ms		0.07	0.2
	Ri-o	Isolation Resistance, Vi-o = 1.0 kVDC		Ω	10 ⁹		
	CI-o	Isolation Capacitance, V = 0 V, f = 1 MHz		pF		0.5	
ILMT	Limit Current, IF = 10 mA, VL = 6 V, t = 5 ms		mA	155	180	210	

Note:

1. Test Circuit for Switching Time



PS7241C-1A



PS7241C-1A

ABSOLUTE MAXIMUM RATINGS¹ (T_A = 25°C)

SYMBOLS	PARAMETERS	UNITS	RATINGS
Diode			
I _F	Forward Current (DC)	mA	50
V _R	Reverse Voltage	V	5.0
P _D	Power Dissipation	mW	50
I _{FP}	Peak Forward Current ²	A	1
MOSFET			
V _L	Breakdown Voltage	V	400
I _L	Continuous Load Current	mA	120
I _{LP}	Pulse Load Current ³ (AC/DC connection)	mA	120
P _D	Power Dissipation	mW	300
Coupled			
BV	Isolation Voltage ⁴	Vr.m.s.	1500
P _T	Total Power Dissipation	mW	350
T _A	Operating Ambient Temp.	°C	-40 to +80
T _{STG}	Storage Temperature	°C	-40 to +100

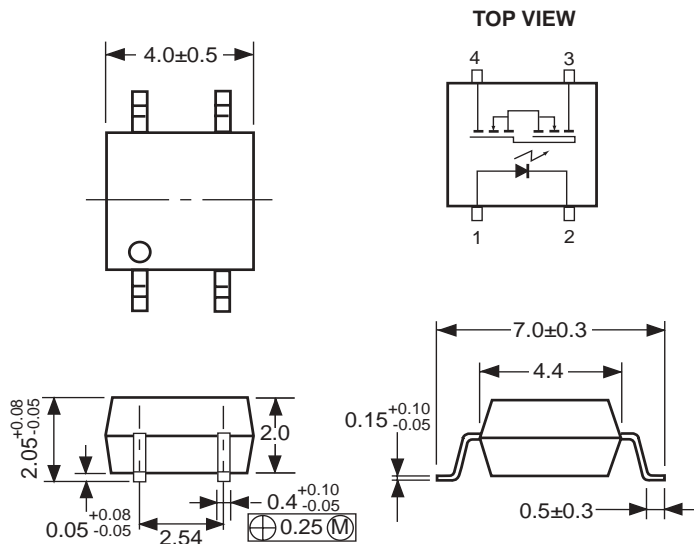
RECOMMENDED OPERATING CONDITIONS (T_A = 25°C)

PART NUMBER		PS7241C-1A			
SYMBOLS	PARAMETERS	UNITS	MIN	TYP	MAX
I _F	LED Operating Current	mA	2	10	20
V _F	LED Off Voltage	V	0		0.5

Notes:

1. Operation in excess of any one of these parameters may result in permanent damage.
2. PW = 100 μs, Duty Cycle = 1 %
3. PW = 100 ms, 1 shot
4. AC voltage for 1 minute at T_A = 25 °C, RH = 60 % between input and output.

OUTLINE DIMENSIONS (Units in mm)



EXCLUSIVE NORTH AMERICAN AGENT FOR **NEC** RF, MICROWAVE & OPTOELECTRONIC SEMICONDUCTORS

CEL CALIFORNIA EASTERN LABORATORIES • Headquarters • 4590 Patrick Henry Drive • Santa Clara, CA 95054-1817 • (408) 988-3500 • Telex 34-6393 • FAX (408) 988-0279
24-Hour Fax-On-Demand: 800-390-3232 (U.S. and Canada only) • Internet: <http://WWW.CEL.COM>

DATA SUBJECT TO CHANGE WITHOUT NOTICE

07/27/2001

Copyright © Each Manufacturing Company.

All Datasheets cannot be modified without permission.

This datasheet has been download from :

www.AllDataSheet.com

100% Free DataSheet Search Site.

Free Download.

No Register.

Fast Search System.

www.AllDataSheet.com