

FAN CONTROLLER

DESCRIPTION

PT2124 is a fan controller housed in a 16-pin plastic DIP.

It includes 3-state output for speed control, one toggle output for swing head control, 4-step timer scale and 4 functional input pins.

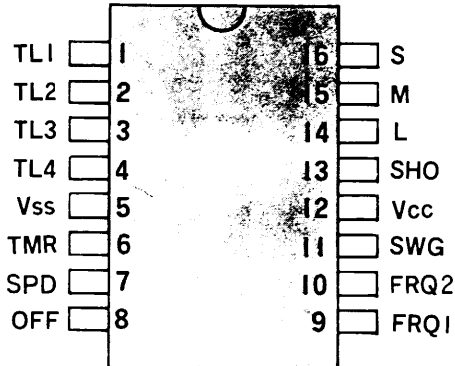
FEATURES

- CMOS Technology
- Electronic key input switch and timer
- 4-state timer scale, 3-state wind speed
- 2 seconds middle wind start-up
- 1 set toggle input and output
- Auto countdown timer control, LED follow-up
- Two base frequency input, 32768Hz and 50/60Hz

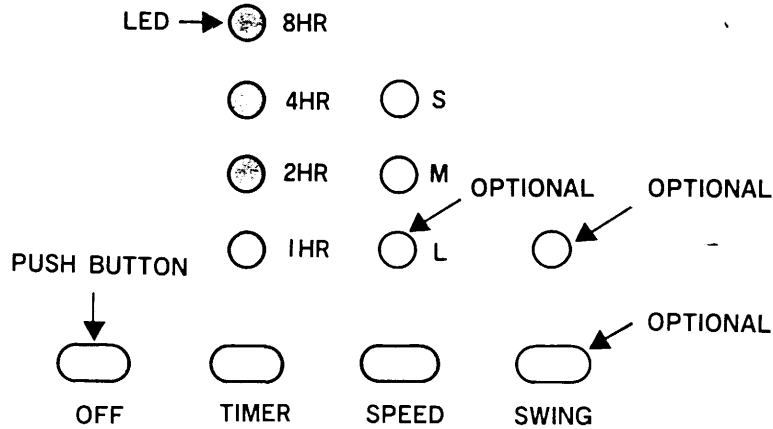
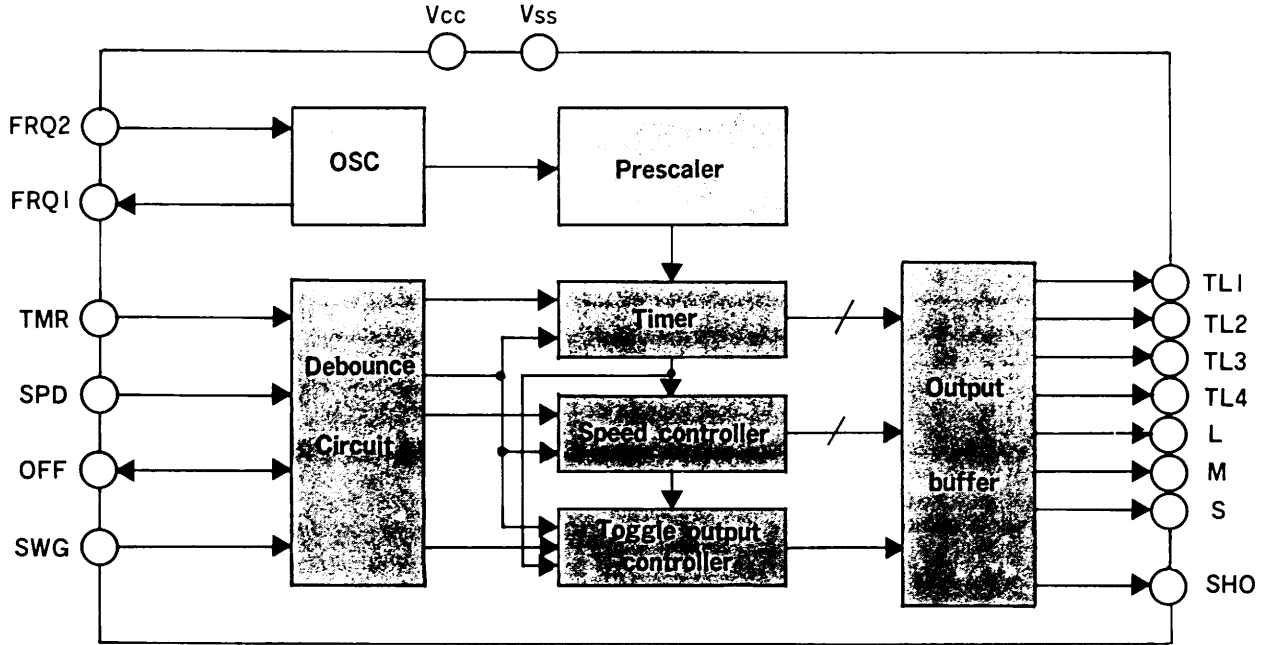
APPLICATIONS

Fan, Heater Fan, Timer

PIN CONFIGURATION



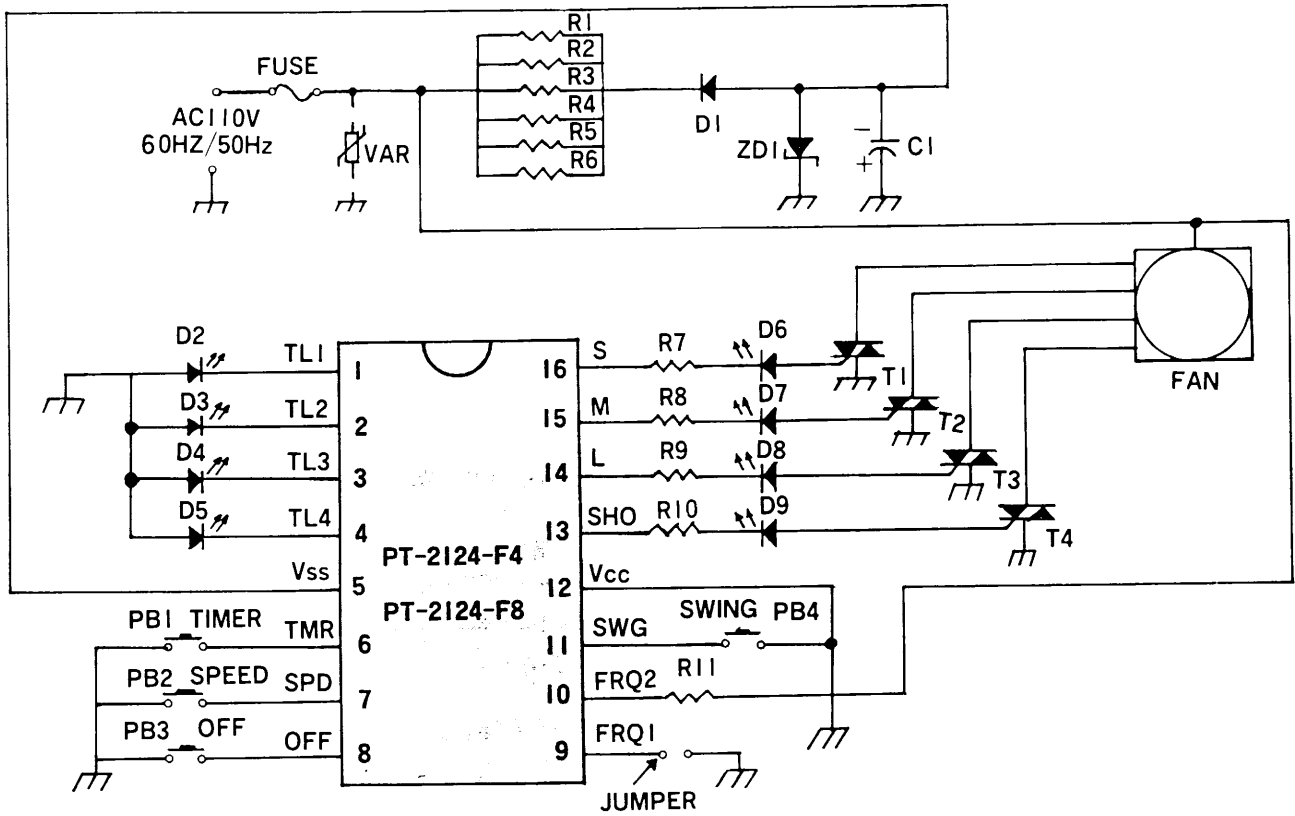
BLOCK DIAGRAM



PT-2124

APPLICATION CIRCUIT

· PT-2124-F4/PT-2124-F8 APPLICATION CKT

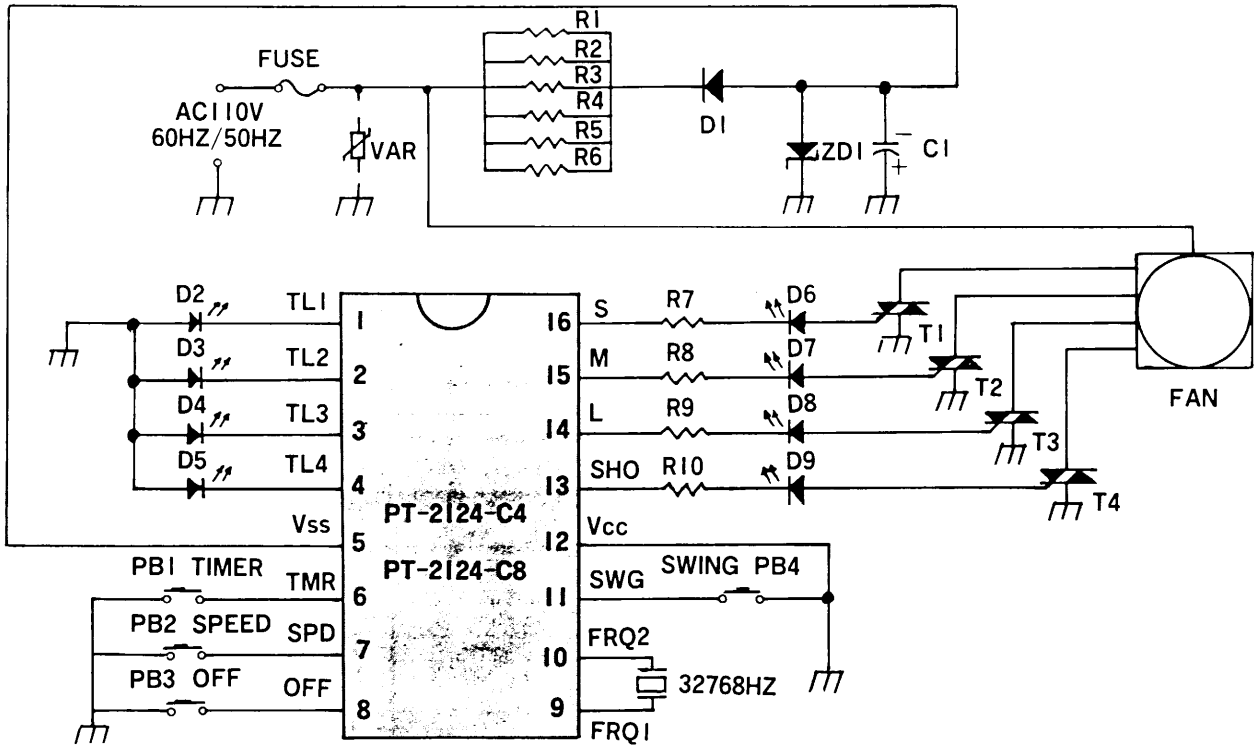


APPLICATION CIRCUIT OF PT 2124 IN AC110V 60HZ/50HZ

PARTS	VALUE	UNIT	TOLERANCE
R1-R6	15K/0.5W	OHM	± 10%
D2-D9	LED	-	
T1-T4	ZO102MA		
ZD1	5.1/0.5W	V	
R7-R10	300/0.25W	OHM	± 10%
DC	IN4006		
C1	470/16V	μ F	± 20%
FUSE	I	A	
R11	2M/0.25W	OHM	± 10%

APPLICATION CIRCUIT

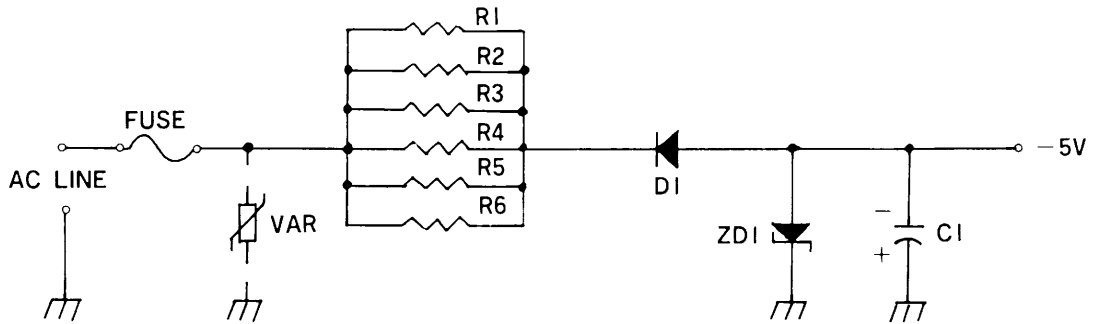
· PT-2124-C4/PT-2124-C8 APPLICATION CKT



APPLICATION CIRCUIT OF PT 2124
IN AC110V 60HZ/50HZ

PARTS	VALUE	UNIT	TOLERANCE
R1-R6	15K/0.5W	OHM	± 10%
D2-D9	LED		
T1-T4	ZO102MA		
ZD1	5.1/0.5W	V	
R7-R10	300/0.25W	OHM	± 10%
D1	1N4006		
C1	470/16V	μ F	± 20%
FUSE	1	A	

POWER SUPPLY APPLICATION CIRCUIT

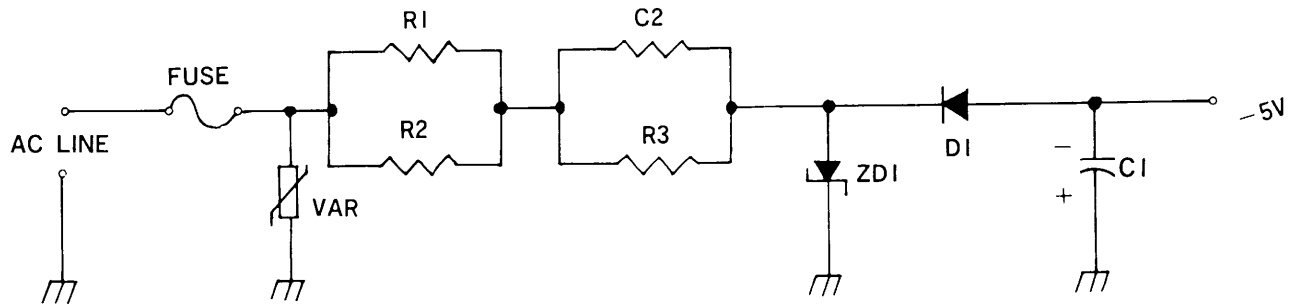


LOW COST RESISTIVE POWER SUPPLY

AC LINE 110V 50/60HZ				
PARTS	VALUE	UNIT	TOLERANCE	REMARK
VAR	200	V		OPTIONAL*
ZDI	5.1/0.5W	V		
R1-R6	1.5K/0.5W	OHM	± 10%	
DI	1N4006			
C1	470/16V	μ F	± 20%	
FUSE	1	A		OPTIONAL*

* Note: Safer for connection

POWER SUPPLY APPLICATION CIRCUIT



LOW COST CAPACITIVE POWER SUPPLY

AC LINE							
110V 50/60HZ				220V 50/60HZ			
PARTS	VALUE	UNIT	TOLERANCE	VALUE	UNIT	TOLERANCE	REMARK
VAR	200	V		400	V		OPTIONAL*
ZDI	5.6/0.5W	V		5.6/1W	V		
R1	100/0.5W	OHM	± 10%	47/1W	OHM	± 10%	
R2	100/0.5W	OHM	± 10%	47/1W	OHM	± 10%	
R3	100K/1W	OHM	± 10%	100K/1W	OHM	± 10%	
DI	1N4006			1N4006			
C1	470/16V	μ F	± 20%	470/16V	μ F	± 20%	
C2	1.5/250V	μ F	± 20%	1.0/400V	μ F	± 20%	
FUSE	I	A		I	A		OPTIONAL*

* Note: Safer for connection

ABSOLUTE MAXIMUM RATING

Symbol	Parameter	Ratings	Unit
V _{CC-VSS}	Supply voltage	-0.3~6	V
V _I	Input voltage	V _{SS} -0.3~V _{CC} +0.3	V
V _O	Output voltage	V _{SS} -0.3~V _{CC} +0.3	V
P _d	Power consumption	300	mW
T _{opr}	Operating temperature range	-10~70	°C
T _{stg}	Storage temperature range	-40~125	°C

DC ELECTRICAL CHARACTERISTICS

Normal operation range: T_a=0°C~70°C, V_{CC-VSS}=5V±10%

Parameter	Symbol	Test conditions	Limits			Unit
			Min.	Typ.	Max.	
Supply voltage	V _{CC}		-6	-5	-3	V
Stand-by current	I _{SB}	V _{CC} -V _{SS} =5V OSC stop all output pin open	—	—	100	μA
Input "high" level voltage	V _{IH}		-1.5	—	—	V
Input "low" level voltage	V _{IL}		—	—	-3.5	V
Output "low" level voltage	V _{OL}	connect LED To V _{CC}	—	-1.6	—	V
Output "low" level current (TL1~TL4)	I _{OL} (V _{OL} = -1.6V)	connect LED To V _{CC}	9	10	—	mA
Output "low" level current (L,M,S,SHO)	I _{OL} (V _{OL} = -4.6V)	connect 300Ω and LED to G of TRIAC	6.5	7.6	—	mA

ORDERING INFORMATION

PART NUMBER	OSCILLATION/TIMER LEVEL	PACKAGE
PT-2124-F4	AC line/0.5hr. 1hr, 2hr, 4hr.	16 PIN DIP
PT-2124-F8	AC line/1hr, 2hr, 4hr, 8hr.	16 PIN DIP
PT-2124-C4	Crystal/0.5hr, 2hr, 2hr, 4hr.	16 PIN DIP
PT-2124-C8	Crystal/1hr, 2hr, 4hr, 8hr.	16 PIN DIP

