
**Synchronous Signal Discriminator
for Multi-Sync Display Monitor**

PT 8501

Description

PT 8501 is a frequency discriminator IC utilizing CMOS Technology specially designed for multi-sync display monitors. It supports a wide variety of display modes -- from VGA's 640 x 350 to work station's 1280 x 1024. By checking the frequency and/or polarity of the horizontal and/or vertical synchronous signals, PT 8501 can decide the proper display mode. It then drives the corresponding output pins from high impedance to low level. PT8501 also sends out negative polarity horizontal/vertical synchronous signals. PT8501's highly comprehensive features make it very reliable in performance.

Features

- Supports VESA VGA (640 x 350 / 640 x 640 / 640 x 480)
- Supports IBM VGA (640 x 350 / 640 x 400 / 640 x 480)
- Supports IBM 8514/A (Interlace / Non-Interlaced)
- Supports VESA Super VGA
- Supports VESA New Super VGA
- Supports European Super VGA
- Supports VESA XGA (1024 x 768)
- Supports Work Station (1280 x 1024)
- The Open-Drain Output Pin can be pulled up to 14 Volts (with Pull-High Resistor)
- Supports User-Defined Special Display Mode/Frequency Discrimination

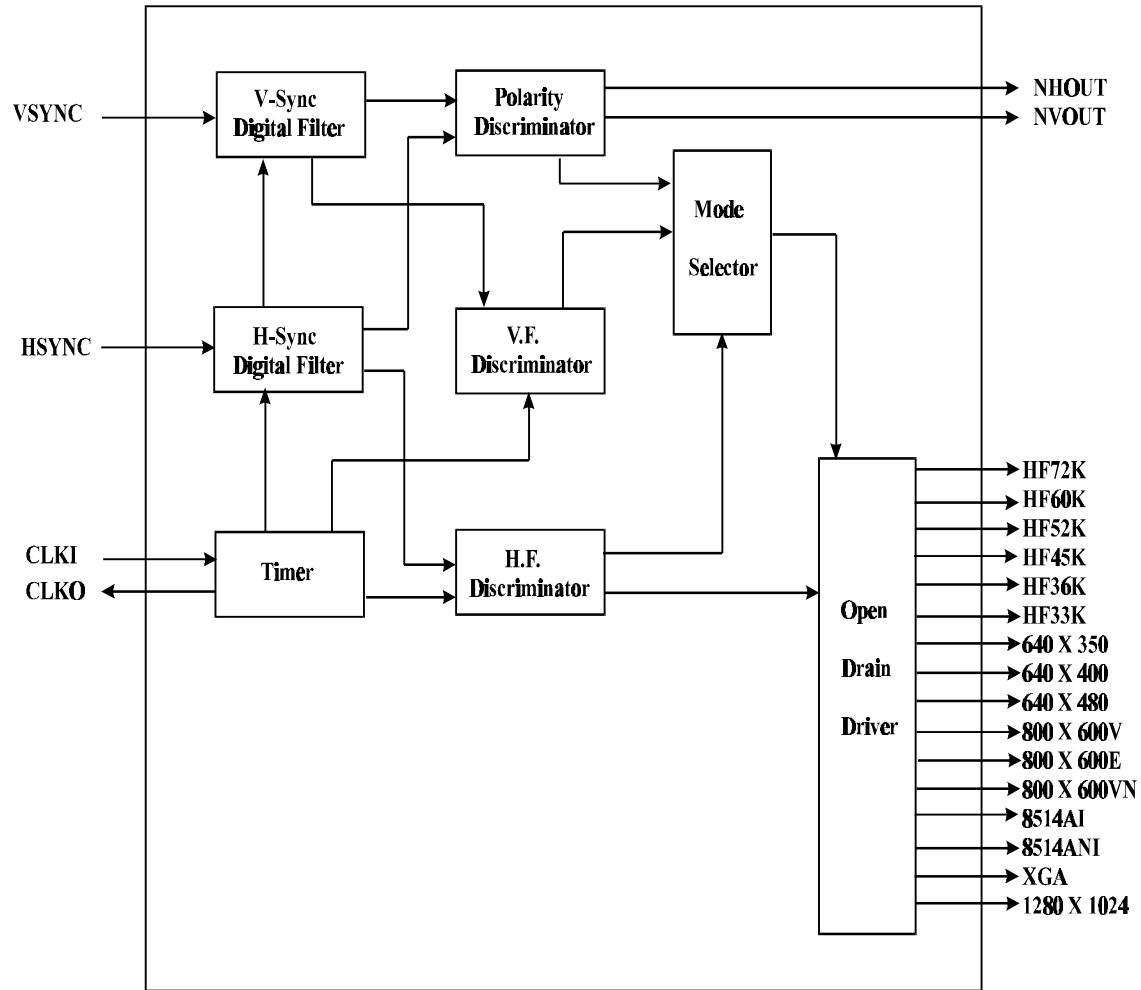
Application

- Multi-Sync Display Monitor
-
-

Synchronous Signal Discriminator
 for Multi-Sync Display Monitor

PT 8501

Block Diagram

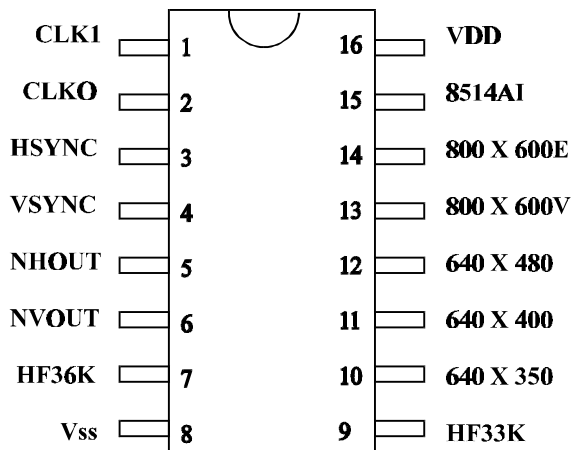


Synchronous Signal Discriminator
 for Multi-Sync Display Monitor

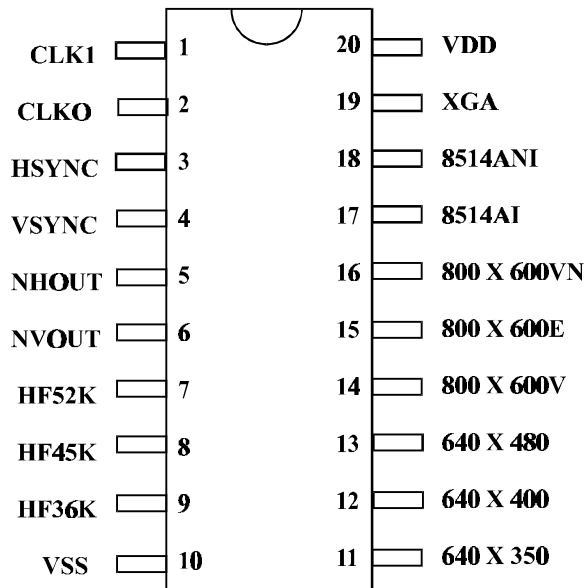
PT 8501

Pin Configuration

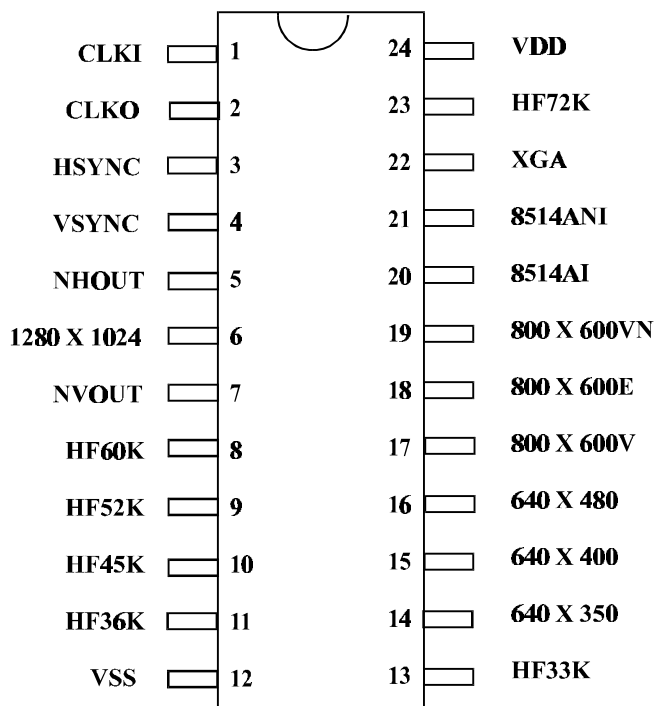
PT8501P16



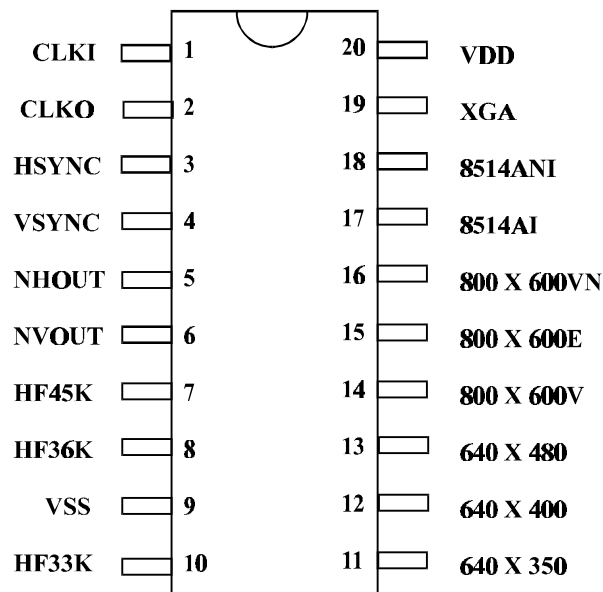
PT8501P20



PT8501P24



PT8501P20A





Synchronous Signal Discriminator
for Multi-Sync Display Monitor

PT 8501

Ordering Information

PT 8501 X

