

# POSISTOR<sup>®</sup> for Circuit Protection

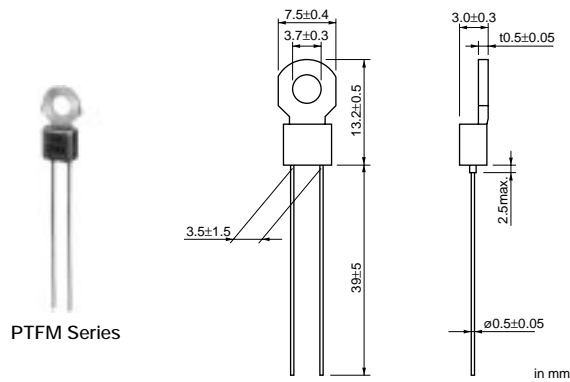
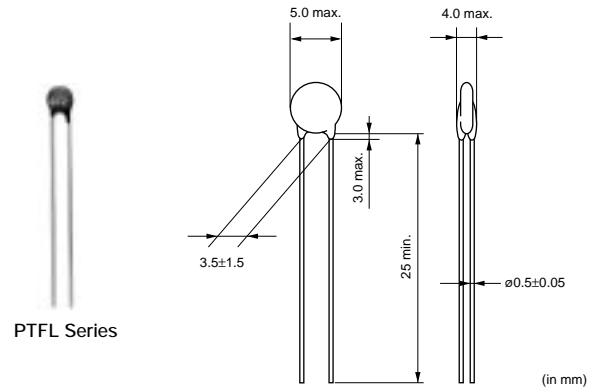


## for Overheat Sensing Lead Type

PTFM type has been developed for protecting power transistors, stereo main amplifiers, etc. from overheating, and also for sensing the temperature of other components which may be overheated. The "POSISTOR" offers an excellent temperature sensing ability, exhibiting a steep change in electrical resistivity near the temperature setting. PTFL type is suitable for use as an air temperature sensor.

### ■ Features

1. PTFM type is a screw-fixing type and PTFL type is a lead type, therefore mounting is easy.
2. Compact and light design as well as excellent thermal response
3. Solid-state construction withstands mechanical vibration and impact sufficiently
4. Contactless operation provides a prolonged service life, yet permits noiseless operation.
5. The operating point of "POSISTOR" is set on the steepest point along the resistance-temperature characteristic curve, thus performing the overheat protective operation securely.
6. PTFM type and PTFL type have the same temperature characteristic, providing a selection depending on the mounting method.



Part Number	Max. Voltage (V)	Curie Point (°C)	Sensing Temp. (TS) (°C)	Resistance Value (at 25°C) (max.) (ohm)	Resistance Value (at Sensing Temp. -10°C) (max.) (ohm)	Resistance Value (at Sensing Temp. TS°C) (min.) (ohm)
PTF□04BH471Q2N34B0	16	40 (BH)	60	100	330	470
PTF□04BG471Q2N34B0	16	50 (BG)	70	100	330	470
PTF□04BF471Q2N34B0	16	60 (BF)	80	100	330	470
PTF□04BE471Q2N34B0	16	70 (BE)	90	100	330	470
PTF□04BD471Q2N34B0	16	80 (BD)	100	100	330	470
PTF□04BC471Q2N34B0	16	90 (BC)	110	100	330	470
PTF□04BB471Q2N34B0	16	100 (BB)	120	100	330	470
PTF□04BH222Q2N34B0	16	40 (BH)	60	330	1.5k	2.2k
PTF□04BG222Q2N34B0	16	50 (BG)	70	330	1.5k	2.2k
PTF□04BF222Q2N34B0	16	60 (BF)	80	330	1.5k	2.2k
PTF□04BE222Q2N34B0	16	70 (BE)	90	330	1.5k	2.2k
PTF□04BD222Q2N34B0	16	80 (BD)	100	330	1.5k	2.2k
PTF□04BC222Q2N34B0	16	90 (BC)	110	330	1.5k	2.2k
PTF□04BB222Q2N34B0	16	100 (BB)	120	330	1.5k	2.2k

A blank is filled with type codes. (L: Lead type, M: with Lug-terminal)  
The order quantity should be an integral multiple of the "Minimum Quantity" shown in the "Package" page.

WWW.ALLDATASHEET.COM

Copyright © Each Manufacturing Company.

All Datasheets cannot be modified without permission.

This datasheet has been download from :

[www.AllDataSheet.com](http://www.AllDataSheet.com)

100% Free DataSheet Search Site.

Free Download.

No Register.

Fast Search System.

[www.AllDataSheet.com](http://www.AllDataSheet.com)