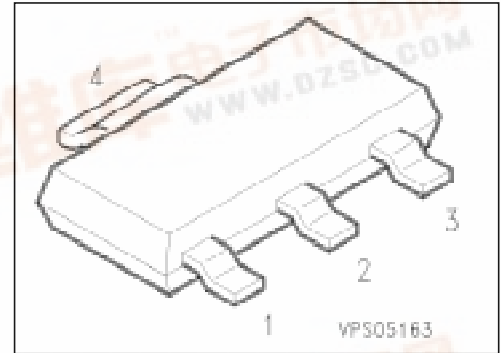


SIEMENS

NPN Silicon High-Voltage Transistors

PZTA 42
PZTA 43

- High breakdown voltage
- Low collector-emitter saturation voltage
- Complementary types: PZTA 92, PZTA 93 (PNP)



Type	Marking	Ordering Code (tape and reel)	Pin Configuration				Package ¹⁾
			1	2	3	4	
PZTA 42 PZTA 43	PZTA 42 PZTA 43	Q62702-Z2035 Q62702-Z2036	B	C	E	C	SOT-223

Maximum Ratings

Parameter	Symbol	Values		Unit
		PZTA 42	PZTA 43	
Collector-emitter voltage	V_{CE0}	300	200	V
Collector-base voltage	V_{CB0}	300	200	
Emitter-base voltage	V_{EB0}	6		
Collector current	I_C	500		mA
Base current	I_B	100		
Total power dissipation, $T_s = 124\text{ °C}$	P_{tot}	1.5		W
Junction temperature	T_j	150		°C
Storage temperature range	T_{stg}	- 65 ... + 150		

Thermal Resistance

Junction - ambient ²⁾	$R_{th JA}$	≤ 72	K/W
Junction - soldering point	$R_{th JS}$	≤ 17	

1) For detailed information see chapter Package Outlines.

2) Package mounted on epoxy pcb 40 mm × 40 mm × 1.5 mm/6 cm² Cu.



Electrical Characteristics

at $T_A = 25\text{ °C}$, unless otherwise specified.

Parameter	Symbol	Values			Unit
		min.	typ.	max.	

DC characteristics

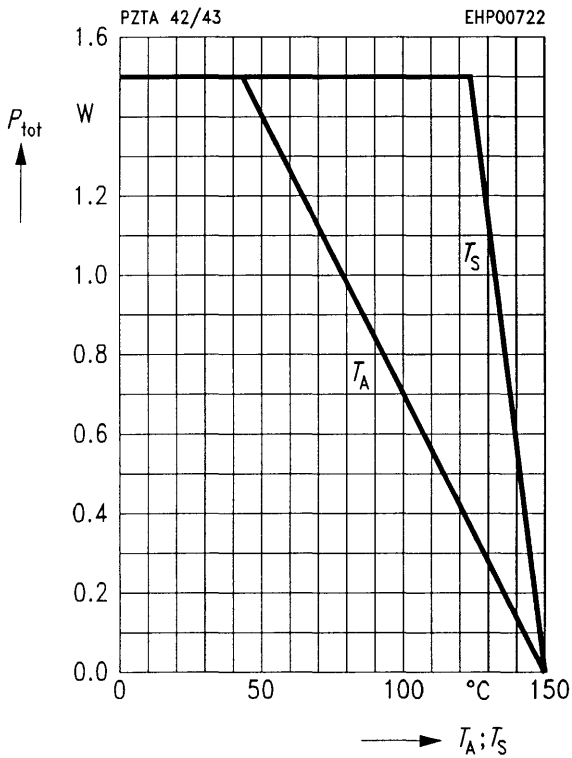
Collector-emitter breakdown voltage $I_C = 1\text{ mA}, I_B = 0$	$V_{(BR)CE0}$	300	–	–	V
PZTA 42					
PZTA 43		200	–	–	
Collector-base breakdown voltage $I_C = 100\text{ }\mu\text{A}, I_B = 0$	$V_{(BR)CB0}$	300	–	–	
PZTA 42					
PZTA 43		200	–	–	
Emitter-base breakdown voltage $I_E = 100\text{ }\mu\text{A}, I_C = 0$	$V_{(BR)EB0}$	6	–	–	
Collector-base cutoff current $V_{CB} = 200\text{ V}$	I_{CB0}	–	–	100	nA
PZTA 42					
$V_{CB} = 160\text{ V}$		–	–	100	nA
PZTA 43					
$V_{CB} = 200\text{ V}, T_A = 150\text{ °C}$		–	–	20	μA
$V_{CB} = 160\text{ V}, T_A = 150\text{ °C}$	PZTA 43	–	–	20	μA
Emitter-base cutoff current $V_{EB} = 3\text{ V}, I_C = 0$	I_{EB0}	–	–	100	nA
DC current gain ¹⁾ $I_C = 1\text{ mA}, V_{CE} = 10\text{ V}$	h_{FE}	25	–	–	–
$I_C = 10\text{ mA}, V_{CE} = 10\text{ V}$		40	–	–	
$I_C = 30\text{ mA}, V_{CE} = 10\text{ V}$		40	–	–	
Collector-emitter saturation voltage ¹⁾ $I_C = 20\text{ mA}, I_B = 2\text{ mA}$	V_{CEsat}	–	–	0.5	V
PZTA 42					
PZTA 43		–	–	0.4	
Base-emitter saturation voltage $I_C = 20\text{ mA}, I_B = 2\text{ mA}$	V_{BEsat}	–	–	0.9	

AC characteristics

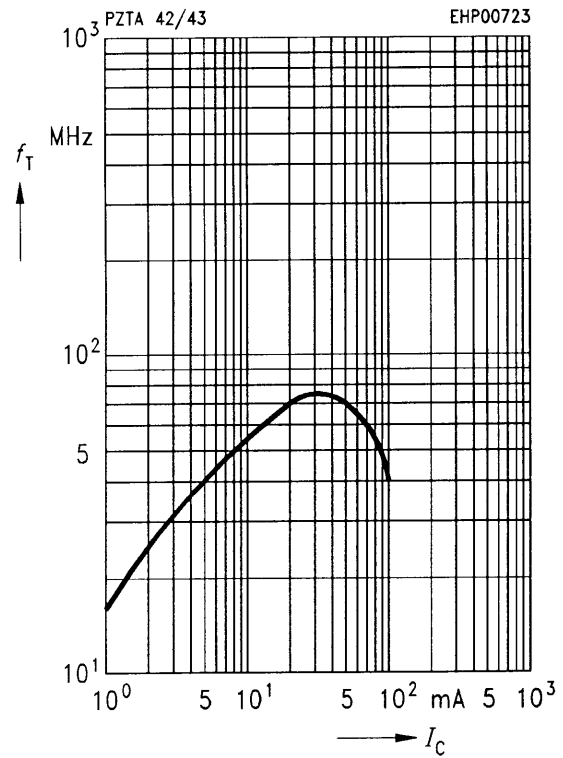
Transition frequency $I_C = 20\text{ mA}, V_{CE} = 10\text{ V}, f = 100\text{ MHz}$	f_T	–	70	–	MHz
Collector-base capacitance $V_{CB} = 20\text{ V}, f = 1\text{ MHz}$	C_{obo}	–	–	3	pF
PZTA 42					
PZTA 43		–	–	4	

¹⁾ Pulse test conditions: $t \leq 300\text{ }\mu\text{s}, D = 2\text{ %}$.

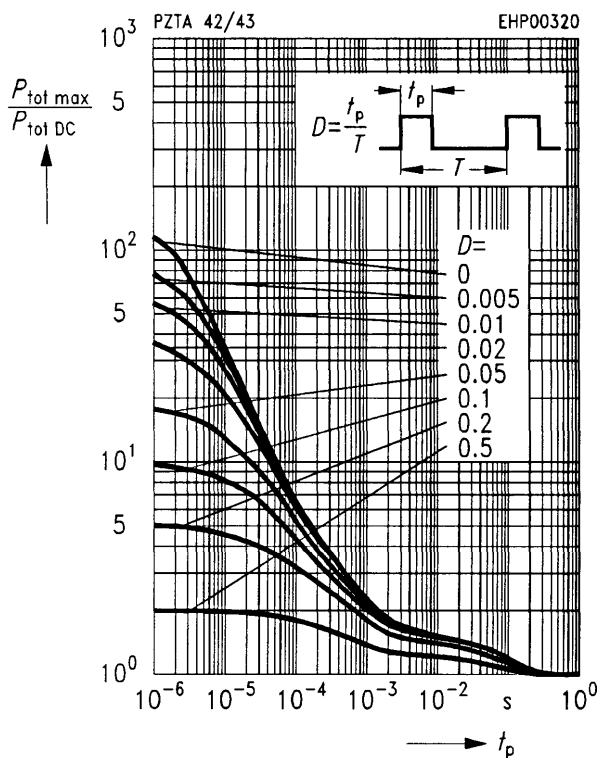
Total power dissipation $P_{tot} = f(T_A^*; T_S)$
 * Package mounted on epoxy



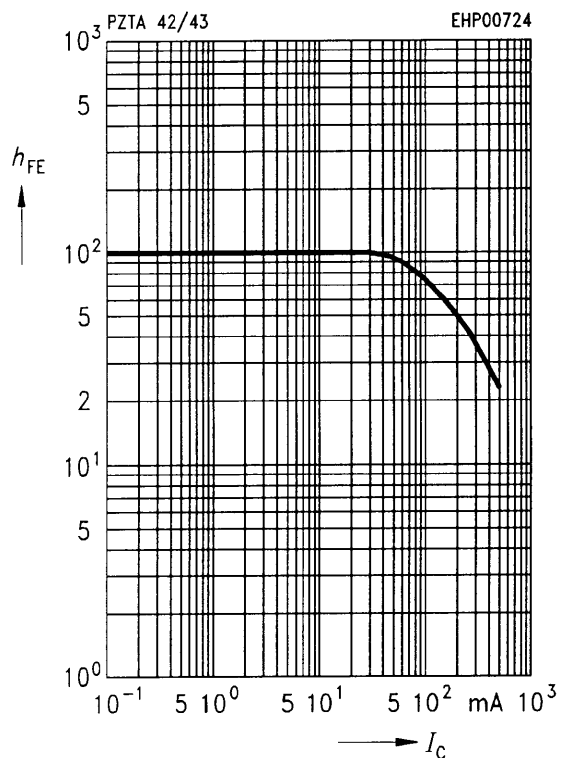
Transition frequency $f_T = f(I_C)$
 $V_{CE} = 10\text{ V}, f = 100\text{ MHz}$



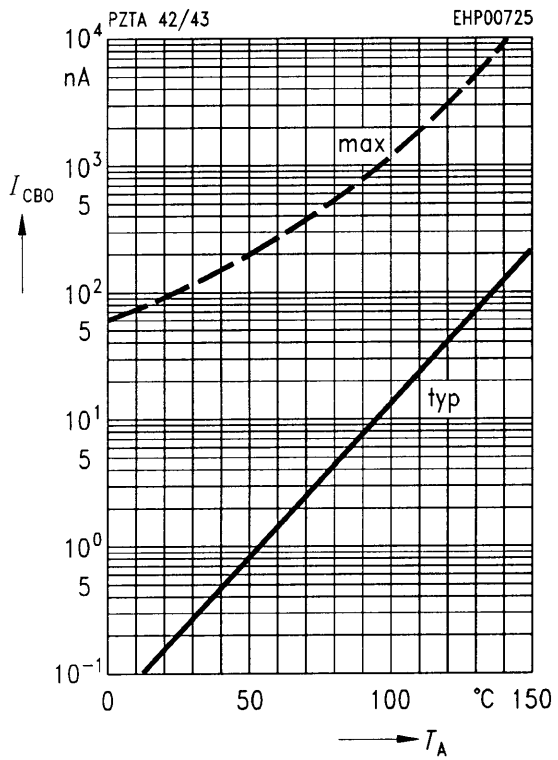
Permissible pulse load $P_{tot\ max} / P_{tot\ DC} = f(t_p)$



DC current gain $h_{FE} = f(I_C)$
 $V_{CE} = 10\text{ V}$



Collector cutoff current $I_{CB0} = f(T_A)$
 $V_{CB} = 160 \text{ V}$



Collector current $I_C = f(V_{BE})$
 $V_{CE} = 10 \text{ V}$

