

TRANSISTOR MODULE (Hi-β)

QCA100BA60

TOP



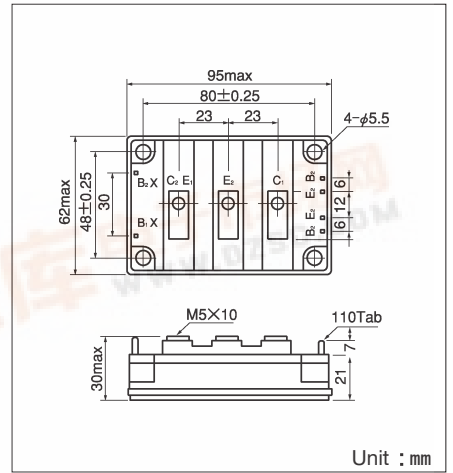
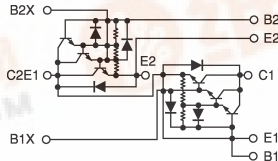
UL;E76102 (M)

QCA100BA60 is a dual Darlington power transistor module which has series-connected **ULTRA HIGH** h_{FE} , high speed, high power Darlington transistors. Each transistor has a reverse paralleled fast recovery diode (trr : 200ns). The mounting base of the module is electrically isolated from Semiconductor elements for simple heatsink construction,

- $I_C=100A$, $V_{CEX}=600V$
- Low saturation voltage for higher efficiency.
- ULTRA HIGH DC current gain h_{FE} . $h_{FE} \geq 750$
- Isolated mounting base
- V_{EBO} 10V for faster switching speed.

(Applications)

Motor Control (VVVF), AC/DC Servo, UPS, Switching Power Supply, Ultrasonic Application



Maximum Ratings

($T_j=25^\circ C$)

Symbol	Item	Conditions	Ratings		Unit
			QCA100BA60		
V_{CB0}	Collector-Base Voltage		600		V
V_{CEX}	Collector-Emitter Voltage	$V_{BE} = -2V$	600		V
V_{EBO}	Emitter-Base Voltage		10		V
I_C	Collector Current	() = $p_w \leq 1ms$	100 (200)		A
$-I_C$	Reverse Collector Current		100		A
I_B	Base Current		6		A
P_T	Total power dissipation	$T_C = 25^\circ C$	620		W
T_j	Junction Temperature		-40 ~ +150		$^\circ C$
T_{stg}	Storage Temperature		-40 ~ +125		$^\circ C$
V_{iso}	Isolation Voltage	A.C.1minute	2500		V
	Mounting Torque	Mounting (M5)	Recommended Value 1.5~2.5 (15~25)		N·m (kgf·cm)
		Terminal (M5)	Recommended Value 1.5~2.5 (15~25)		
	Mass	Typical Value	360		g

Electrical Characteristics

($T_j=25^\circ C$)

Symbol	Item	Conditions	Ratings			Unit
			最小	標準	最大	
I_{CBO}	Collector Cut-off Current	$V_{CB} = V_{CB0}$			1.0	mA
I_{EBO}	Emitter Cut-off Current	$V_{EB} = V_{EBO}$			400	mA
$V_{CE0(SUS)}$	Collector Emitter Sustaining Voltage	$I_C = 1A$	450			V
$V_{CEX(SUS)}$		$I_C = 20A, I_{B2} = -5A$	600			
h_{FE}	D.C. Current Gain	$I_C = 100A, V_{CE} = 2.5V$	750			
$V_{CE(sat)}$	Collector-Emitter Saturation Voltage	$I_C = 100A, I_B = 130mA$			2.5	V
$V_{BE(sat)}$	Base-Emitter Saturation Voltage	$I_C = 100A, I_B = 130mA$			3.0	V
t_{on}	Switching Time	On Time			2.0	μs
t_s		Storage Time	$V_{CC} = 300V, I_C = 100A$		8.0	
t_f		Fall Time	$I_{B1} = 0.2A, I_{B2} = -2A$		2.0	
V_{ECO}	Collector-Emitter Reverse Voltage	$I_C = -100A$			1.8	V
trr	Reverse Recovery time	$V_{CC} = 300V, -I_C = 100A, -di/dt = 100/\mu s, V_{BE} = -5V$	200			ns
	Thermal Impedance (junction to case)	Transistor part			0.2	$^\circ C/W$
		Diode part			0.6	



