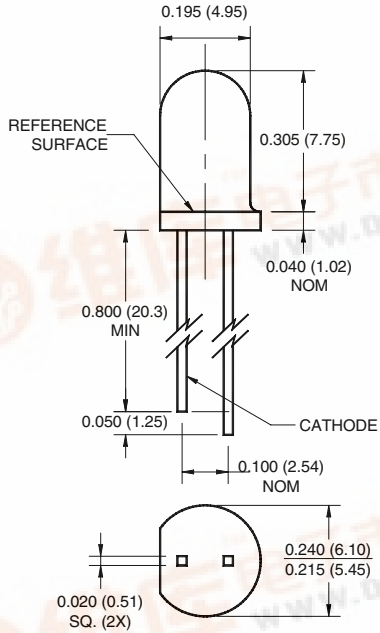


PACKAGE DIMENSIONS

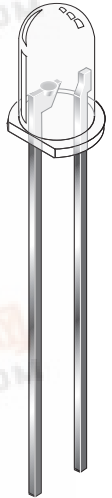


NOTES:

1. Dimensions for all drawings are in inches (mm).
2. Tolerance of $\pm .010$ (.25) on all non-nominal dimensions unless otherwise specified.

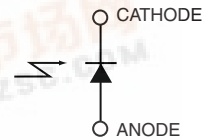
FEATURES

- PIN Photodiode
- Package type: T-1 3/4 (5mm lens diameter)
- Wide Reception Angle, 40°
- Package material and color: Clear epoxy
- High Sensitivity
- Peak Sensitivity $\lambda = 880 \text{ nm}$



1. Derate power dissipation linearly 1.33 mW/°C above 25°C.
2. RMA flux is recommended.
3. Methanol or isopropyl alcohols are recommended as cleaning agents.
4. Soldering iron 1/16" (1.6mm) minimum from housing.

SCHEMATIC



ABSOLUTE MAXIMUM RATINGS ($T_A = 25^\circ\text{C}$ unless otherwise specified)

Parameter	Symbol	Rating	Unit
Operating Temperature	T_{OPR}	-40 to +100	$^\circ\text{C}$
Storage Temperature	T_{STG}	-40 to +100	$^\circ\text{C}$
Soldering Temperature (Iron) ^(2,3,4)	T_{SOL-I}	240 for 5 sec	$^\circ\text{C}$
Soldering Temperature (Flow) ^(2,3)	T_{SOL-F}	260 for 10 sec	$^\circ\text{C}$
Reverse Breakdown Voltage	V_{BR}	50	V
Power Dissipation ⁽¹⁾	P_D	100	mW

ELECTRICAL / OPTICAL CHARACTERISTICS ($T_A = 25^\circ\text{C}$)

PARAMETER	TEST CONDITIONS	SYMBOL	MIN	TYP	MAX	UNITS
Peak Sensitivity Wavelength		λ_{PS}	—	880	—	nm
Wavelength Sensitivity Range		λ_{SR}	400	—	1100	nm
Reception Angle		θ	—	± 20	—	Deg.
Forward Voltage	$I_F = 80 \text{ mA}$	V_F	—	1.3	—	V
Reverse Dark Current	$V_R = 20 \text{ V}, E_e = 0$	I_D	—	—	5	nA
Reverse Light Current	$E_e = 0.5 \text{ mW/cm}^2, V_R = 5 \text{ V}, \lambda = 950 \text{ nm}$	I_L	15	25	—	μA
Capacitance	$V_R = 0, f = 1 \text{ MHz}, E_e = 0$	C	—	60	—	pF
Rise Time	$V_R = 5 \text{ V}, R_L = 50 \Omega$	t_r	—	5	—	ns
Fall Time	$\lambda = 950 \text{ nm}$	t_f	—	5	—	