

HAMAMATSU

PHOTOMULTIPLIER TUBE R1705

Ruggedized, High Temperature (175°C) PMT (for Oil Well Logging) 38mm (1-1/2 Inch) Diameter, 10-Stage, Head-on Type

GENERAL

Parameter		Description/Value	Unit
Spectral Response		300 to 650	nm
Wavelength of Maximum Response		375	nm
Photocathode	Material	High Temp. Bialkali	—
	Minimum Useful Diameter	34	mm dia.
Window Material		Borosilicate glass	—
Dynode	Structure	Circular-cage	—
	Number of Stages	10	—
Suitable Socket		E678-12A (supplied)	—

MAXIMUM RATINGS (Absolute Maximum Values)

Parameter		Value	Unit
Supply Voltage	Between Anode and Cathode	1800	Vdc
	Between Anode and Last Dynode	250	Vdc
Average Anode Current		0.02	mA
Ambient Temperature		-80 to +175	°C

CHARACTERISTICS (at 25°C)

Parameter		Min.	Typ.	Max.	Unit
Cathode Sensitivity	Luminous (2856K)	20	40	—	μA/lm
	Blue (CS 5-58 filter)	4	6	—	μA/lm-b
Anode Sensitivity	Luminous (2856K)	5	20	—	A/lm
Gain		—	5 × 10 ⁵	—	—
Anode Dark Current (after 30min. storage in darkness)		—	0.5*	10	nA
Time Response	Anode Pulse Rise Time	—	2.0	—	ns
	Electron Transit Time	—	35	—	ns

* 100nA at 175°C

VOLTAGE DISTRIBUTION RATIO AND SUPPLY VOLTAGE

Electrodes	K	Dy1	Dy2	Dy3	Dy4	Dy5	Dy6	Dy7	Dy8	Dy9	Dy10	P
Ratio	2	1	1	1	1	1	1	1	1	1	1	1

Supply Voltage: 1500Vdc, K: Cathode, Dy: Dynode, P: Anode

ENVIRONMENTAL TESTING

Shock.....100g's, 11 ± 1ms, 3 impact shocks per direction (6 directions)

Vibration.....20g's, 50 to 2000Hz, 1oct per minute, 3 sweeps per axis (3 axes)



PHOTOMULTIPLIER TUBE R1705

Figure 1: Typical Spectral Response

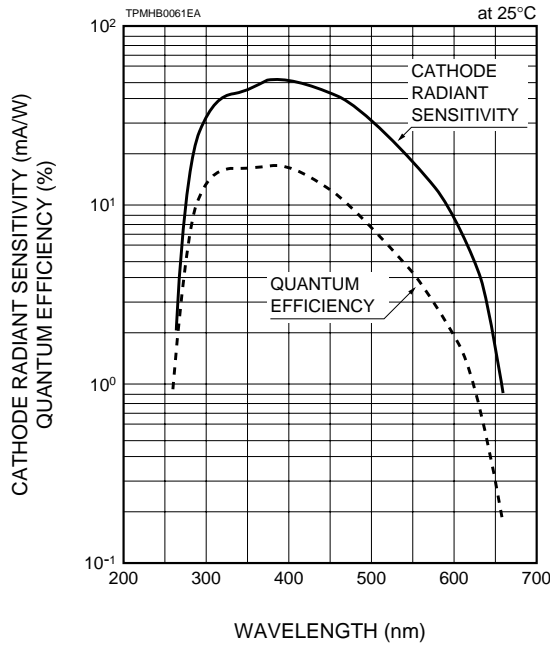


Figure 2: Typical Gain Characteristics

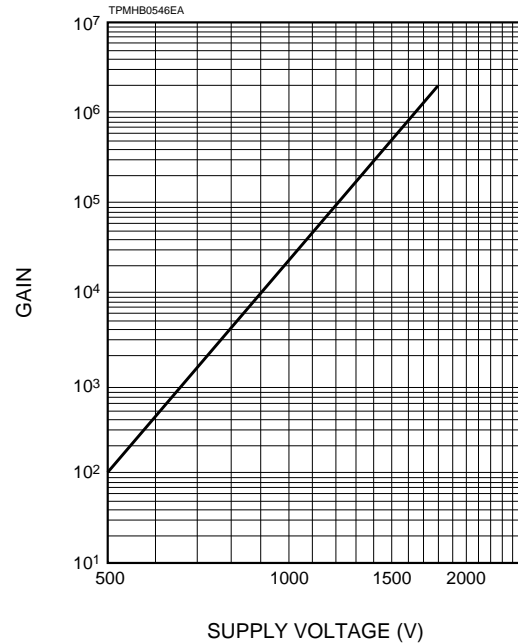
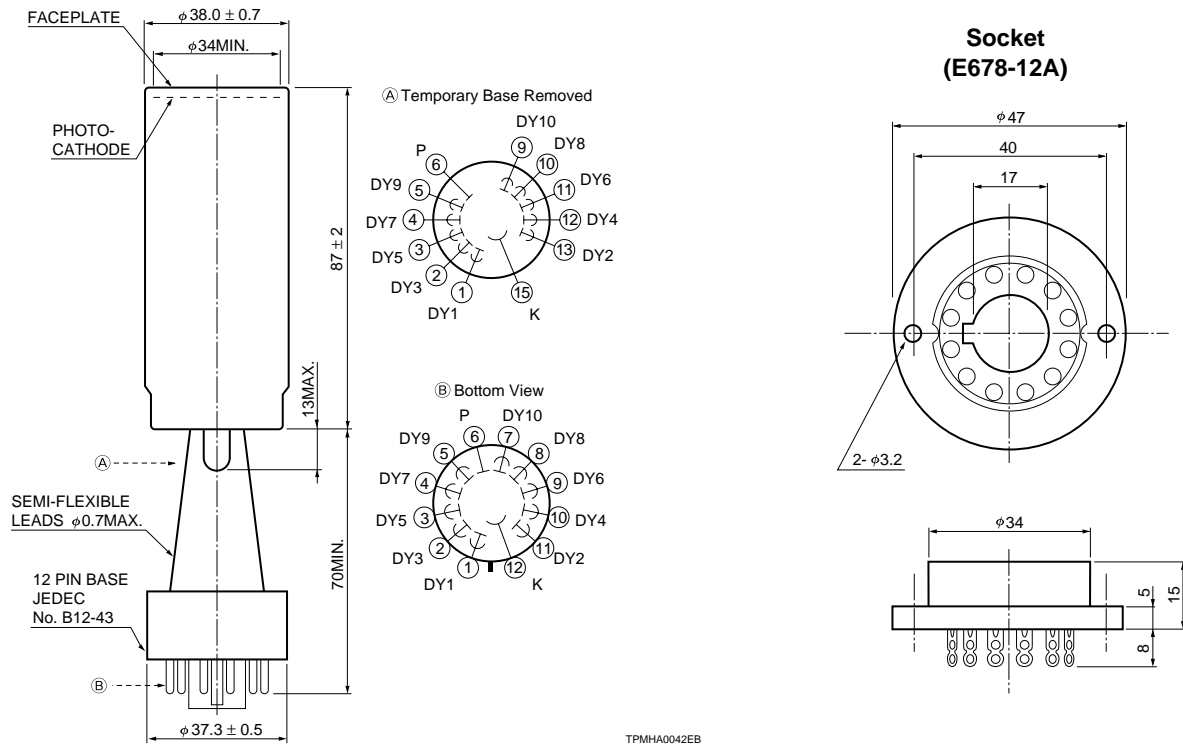


Figure 3: Dimensional Outline and Basing Diagram (Unit: mm)



TPMHA0042EB

TACCA0009EB

HAMAMATSU

HAMAMATSU PHOTONICS K.K., Eelectron Tube Center

314-5, Shimokanzo, Toyooka-village, Iwata-gun, Shizuoka-ken, 438-0193, Japan, Telephone: (81)539/62-5248, Fax: (81)539/62-2205

U.S.A.: Hamamatsu Corporation: 360 Foothill Road, P. O. Box 6910, Bridgewater, N.J. 08807-0910, U.S.A., Telephone: (1)908-231-0960, Fax: (1)908-231-1218

Germany: Hamamatsu Photonics Deutschland GmbH: Arzbergerstr. 10, D-82211 Herrsching am Ammersee, Germany, Telephone: (49)8152-375-0, Fax: (49)8152-2658

France: Hamamatsu Photonics France S.A.R.L.: 8, Rue du Saule Trapu, Parc du Moulin de Massy, 91882 Massy Cedex, France, Telephone: (33)1 69 53 71 00, Fax: (33)1 69 53 71 10

United Kingdom: Hamamatsu Photonics UK Limited: Lough Point, 2 Gladbeck Way, Windmill Hill, Enfield, Middlesex EN2 7JA, United Kingdom, Telephone: (44)181-367-3560, Fax: (44)181-367-6384

North Europe: Hamamatsu Photonics Norden AB: Färögatan 7, S-164-40 Kista Sweden, Telephone: (46)8-703-29-50, Fax: (46)8-750-58-95

Italy: Hamamatsu Photonics Italia: S.R.L.: Strada della Moia, 1/E, 20020 Arese, (Milano), Italy, Telephone: (39)02-935 81 733, Fax: (39)02-935 81 741

TPMH1221E01