



RF106 900 MHz Power Amplifier

Product Description

The RF106 is a class AB RF power amplifier for 900 MHz ISM band applications. It delivers output power proportional to the input signal power.

The RF106 power amplifier, combined with Conexant's RF105 diSTance™ (digital Spread Spectrum Technology) transceiver, forms a complete system solution for a direct conversion 900 MHz diSTance radio which is fully compliant with FCC Part 15 regulations in the ISM band.

The RF106 is operational in the 900 MHz ISM band with supply voltage ranging from 2.7V to 5V. It is available in a small 20-pin TSSOP package, shown in Figure 1. Figure 2 shows a block diagram for the RF106.

Features

- Class AB-type RF power amplifier
- 100 mW peak envelope output power
- Very fast settling from standby mode to active mode
- Efficient high output power operation
- Very few external components required
- 20-pin TSSOP package

Applications

- diSTance-technology cordless telephone
- Direct sequence spread spectrum systems
- Frequency hopping spread spectrum systems
- Wireless LANs
- Wireless modems
- Wireless security
- Inventory control systems

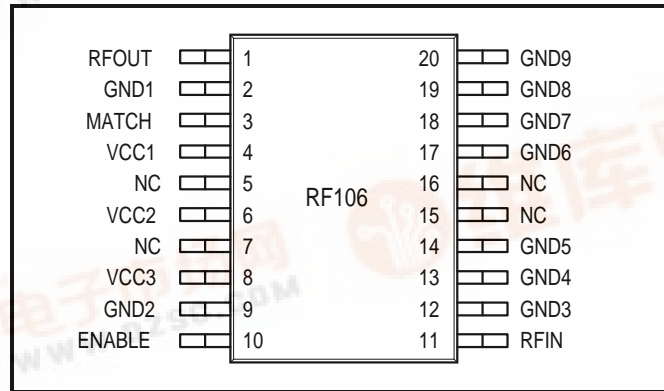


Figure 1. RF106 Pin Signals - 20 Pin TSSOP

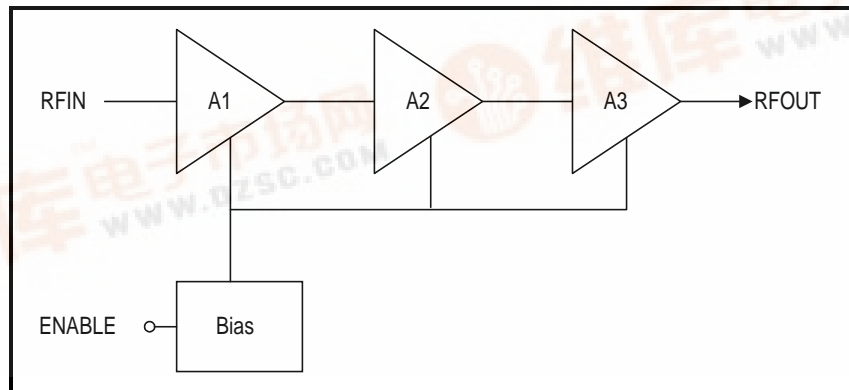


Figure 2. RF106 Block Diagram



Technical Description

The RF106 is a three stage, class AB RF power amplifier for the 902-928 MHz ISM band. A class AB power amplifier allows a wide range of output powers without excessive idle power dissipation. Figure 3 shows a typical application circuit for the RF106.

Recommendations on Layout and Implementation

Matching

An input matching network and an output matching network are needed for maximum power transfer. For greatest efficiency, it is recommended that the input matching network be determined before the output matching network. Matching network values are layout-sensitive. If the RF106 is used with Conexant's RF105 transceiver, the input matching network is not required if the connecting traces are short.

Bypassing

All Vcc pins should have proper bypassing. These decoupling capacitors should be placed very close to the pins, preferably right at the Vcc pins.

A bypassing capacitor of 33pF and a decoupling capacitor of 1nF for low frequency noise are recommended. Due to layout variations the value of the capacitor may vary.

General Grounding Requirements

All ground pins should have minimum trace inductance to ground. If a ground plane cannot be provided right at the pins, the vias to ground plane should be placed as close to the pins as possible. There should be one via for each ground pin, unless otherwise specified. If the ground plane is at the bottom layer, two vias per pin in parallel may be required.

It is important to provide pins 13 and 14 with separate low-impedance connections to GND, isolated from other top-layer grounds.

NC pins are not used and should be connected to ac ground, Vcc or ground, as shown in Figure 3.

ESD Sensitivity

The RF106 is a static-sensitive electronic device. Do not operate or store near strong electrostatic fields. Take proper Electrostatic Discharge (ESD) precautions.

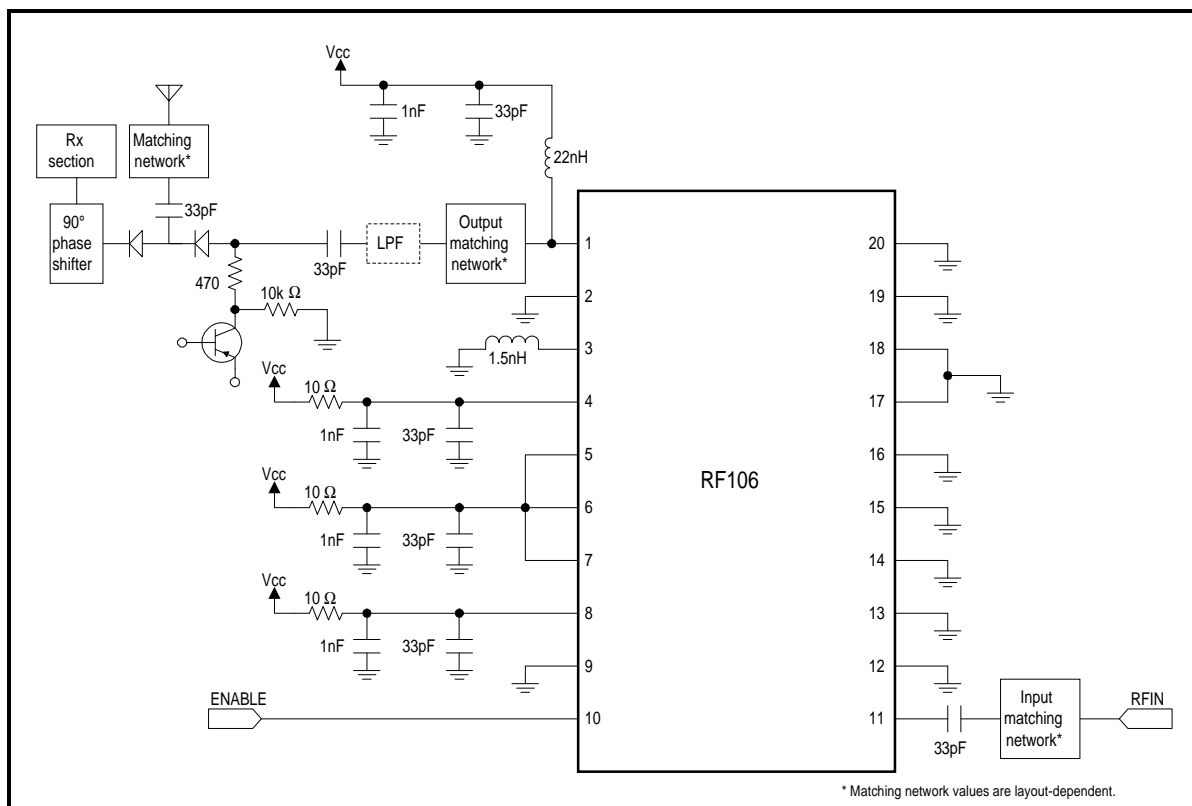


Figure 3. RF106 Typical Application Circuit

Interface Description

Table 1 describes the pin signals for the RF106.

Table 1. Pin Signal Description

Pin No.	Name	Description
1	RFOUT	Power amplifier output Connect to power supply through an inductor; matching network required before connecting to antenna.
2	GND1	Ground
3	MATCH	Interstage matching Connect to ground through a 1.5 nH (typical) inductor.
4	VCC1	Power supply
5	NC	Not used Connect to ac ground, Vcc or ground (Figure 3).
6	VCC2	Power supply Internally connected to middle stage matching network.
7	NC	Not used Connect to ac ground, Vcc or ground (Figure 3).
8	VCC3	Power supply
9	GND2	Ground
10	ENABLE	Chip enable (active high)
11	RFIN	Power amplifier input
12	GND3	Ground
13	GND4	Ground
14	GND5	Ground
15	NC	Not used Connect to ac ground, Vcc or ground (Figure 3).
16	NC	Not used Connect to ac ground, Vcc or ground (Figure 3).
17	GND6	Ground
18	GND7	Ground
19	GND8	Ground
20	GND9	Ground

Specifications

Table 2 lists the absolute maximum ratings for the RF106.

Table 3 gives the electrical specifications for the RF106.

Table 2. Absolute Maximum Ratings

Parameter	Min.	Max.	Unit
Supply voltage (V _{CC}) (note 1)		+5	V
Input voltage range (note 1)	GND	V _{CC}	V
Power dissipation @ high output power mode		400	mW
Ambient operating temperature	-10	+70	°C
Storage temperature	-40	+125	°C
Notes:			
1. Voltages are referenced to GND.			

Table 3. RF106 Electrical Specifications (note 1)

Parameter	Min.	Typ.	Max.	Units
Gain variation vs. frequency (902–928 MHz)		±0.15	±0.75	dB
Peak-Envelope output Power (PEP) (note 2)	18	21	22	dBm
RF gain	26	29	30	dB
Total supply current:				
Output PEP = 21 dBm		95 (note 2)		mA
Output PEP = 11 dBm		40 (note 3)		mA
Output PEP = 1 dBm		30 (note 4)		mA
Standby (note 5)		< 1		µA
IM3: PEP ≤ 21 dBm		-21	-17	dBc
Output VSWR for unconditional stability			10:1	
RF input return loss (902–928 MHz)			-9.5	dB
RF output-to-input isolation @ 915 MHz		50		dB
RF input impedance		50		Ω
RFOUT passband 3dB BW around 915 MHz	250			MHz
V _{IH} for ENABLE	1.9			V
V _{IL} for ENABLE			0.8	V
I _{IH} for ENABLE		50	60	µA
I _{IL} for ENABLE	-10	-1	0	µA
Power supply for specified performance	3.0	3.6	5.0	V
Power supply range	2.7	3.6	5.0	V
Operating temperature range	-10	25	70	°C
Notes:				
1. Test conditions: T _A = 25 °C, V _{CC} = 3.3V, f _{REF} = 915 MHz				
2. With continuous wave RF input signal of -8 dBm.				
3. With continuous wave RF input signal of -18 dBm.				
4. With continuous wave RF input signal of -28 dBm.				
5. When ENABLE (pin 10) is low.				

Device Dimensions

Package dimensions for the RF106 are given in Figure 4.

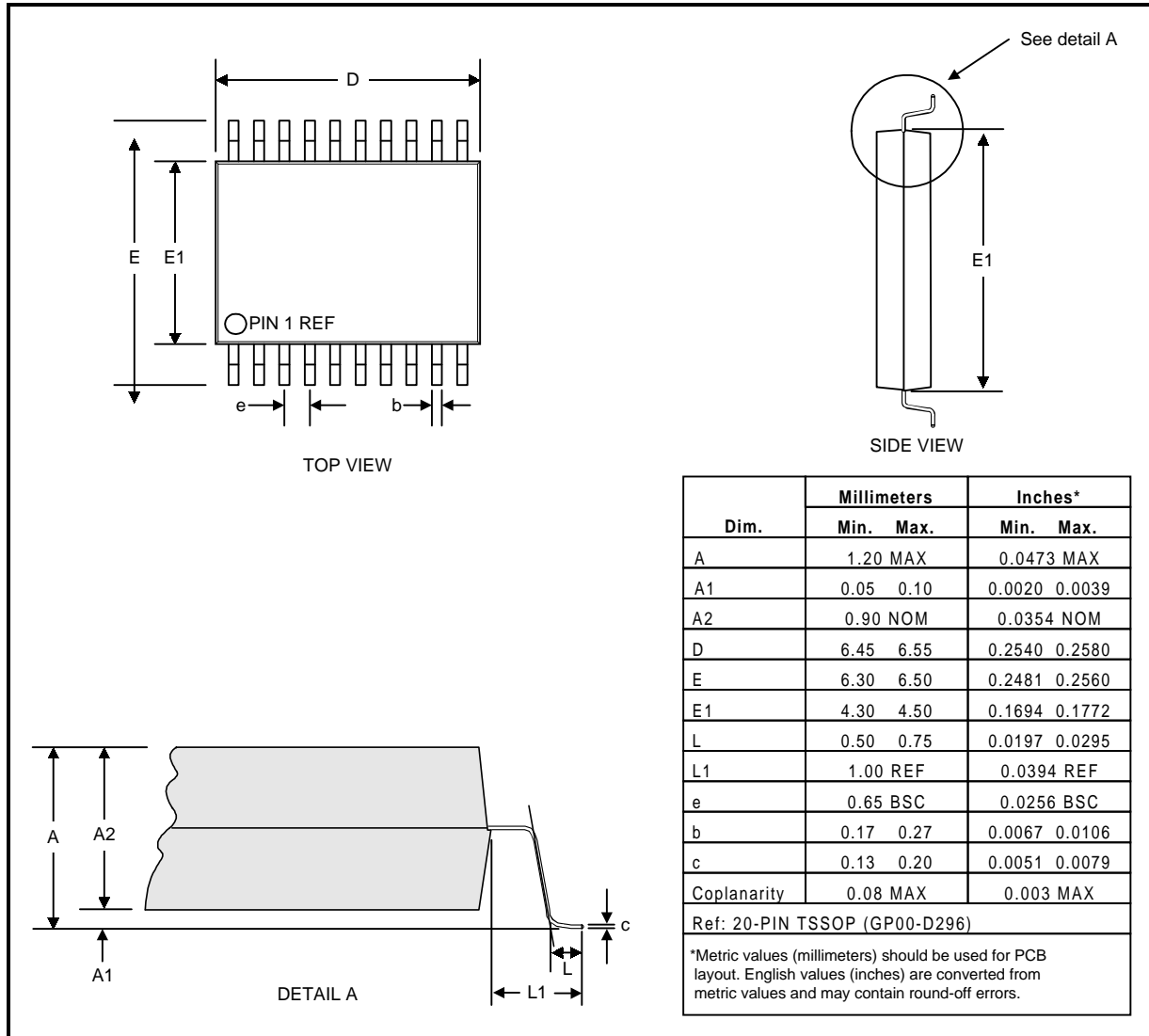


Figure 4. Package Dimensions – 20-pin TSSOP

Information provided by Conexant Systems, Inc. is believed to be accurate and reliable. However, no responsibility is assumed by Conexant for its use, nor any infringement of patents or other rights of third parties which may result from its use. No license is granted by implication or otherwise under any patent rights of Conexant other than for circuitry embodied in Conexant products. Conexant reserves the right to change circuitry at any time without notice. This document is subject to change without notice.

Conexant, "What's Next in Communications Technologies" and diSSTance are trademarks of Conexant Systems, Inc.

Product names or services listed in this publication are for identification purposes only, and may be trademarks or registered trademarks of their respective companies. All other marks mentioned herein are the property of their respective holders.

©1999, Conexant Systems, Inc.

Printed in U.S.A.

All Rights Reserved



Further Information:
literature@conexant.com
1-800-854-8099 (North America)
33-14-906-3980 (International)

Web Site
www.conexant.com

World Headquarters
Conexant Systems, Inc.
4311 Jamboree Road,
P.O. Box C
Newport Beach, CA 92658-8902
Phone: (949) 483-4600
Fax: (949) 483-6375

U.S. Florida/South America
Phone: (813) 799-8406
Fax: (813) 799-8306

U.S. Los Angeles
Phone: (805) 376-0559
Fax: (805) 376-8180

U.S. Mid-Atlantic
Phone: (215) 244-6784
Fax: (215) 244-9292

U.S. North Central
Phone: (630) 773-3454
Fax: (630) 773-3907

U.S. Northeast
Phone: (978) 692-7660
Fax: (978) 692-8185

U.S. Northwest/Pacific West
Phone: (408) 249-9696
Fax: (408) 249-7113

U.S. South Central
Phone: (972) 733-0723
Fax: (972) 407-0639

U.S. Southeast
Phone: (770) 246-8283
Fax: (770) 246-0018

U.S. Southwest
Phone: (949) 222-9119
Fax: (949) 222-0620

APAC Headquarters
Conexant Systems Singapore,
Pte. Ltd.
1 Kim Seng Promenade
Great World City
#09-01 East Tower
Singapore 237994
Phone: (65) 737 7355
Fax: (65) 737 9077

Australia
Phone: (61 2) 9869 4088
Fax: (61 2) 9869 4077

China
Phone: (86 2) 6361 2515
Fax: (86 2) 6361 2516

Hong Kong
Phone: (852) 2 827 0181
Fax: (852) 2 827 6488

India
Phone: (91 11) 692 4780
Fax: (91 11) 692 4712

Korea
Phone: (82 2) 565 2880
Fax: (82 2) 565 1440

Europe Headquarters
Conexant Systems France
Les Taissounieres B1
1680 Route des Dolines
BP 283
06905 Sophia Antipolis Cedex
France
Phone: (33 4) 93 00 33 35
Fax: (33 4) 93 00 33 03

Europe Central
Phone: (49 89) 829 1320
Fax: (49 89) 834 2734

Europe Mediterranean
Phone: (39 02) 9317 9911
Fax: (39 02) 9317 9913

Europe North
Phone: (44 1344) 486 444
Fax: (44 1344) 486 555

Europe South
Phone: (33 1) 41 44 36 50
Fax: (33 1) 41 44 36 90

Middle East Headquarters
Conexant Systems Commercial
(Israel) Ltd.
P.O. Box 12660
Herzlia 46733
Israel
Phone: (972 9) 952 4064
Fax: (972 9) 951 3924

Japan Headquarters
Conexant Systems Japan Co., Ltd.
Shimomoto Building
1-46-3 Hatsudai,
Shibuya-ku
Tokyo, 151-0061
Japan
Phone: (81 3) 5371 1567
Fax: (81 3) 5371 1501

Taiwan Headquarters
Conexant Systems, Taiwan Co., Ltd.
Room 2808
International Trade Building
Keelung Road, Section 1
Taipei 110
Taiwan, ROC
Phone: (886 2) 2720 0282
Fax: (886 2) 2757 6760