

## 10A, 30V, 0.200 Ohm, Logic Level, P-Channel Power MOSFET

These products are P-Channel power MOSFETs manufactured using the MegaFET process. This process, which uses feature sizes approaching those of LSI circuits, gives optimum utilization of silicon, resulting in outstanding performance. They were designed for use in applications such as switching regulators, switching converters, motor drivers, and relay drivers. These transistors can be operated directly from integrated circuits.

Formerly developmental type TA49205.

### Ordering Information

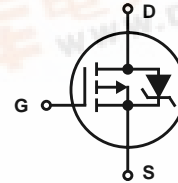
PART NUMBER	PACKAGE	BRAND
RFD10P03L	TO-251AA	10P03L
RFD10P03LSM	TO-252AA	10P03L
RFP10P03L	TO-220AB	F10P03L

NOTE: When ordering, use the entire part number. Add the suffix, 9A, to obtain the TO-252AA variant in tape and reel, i.e. RFD10P03LSM9A..

### Features

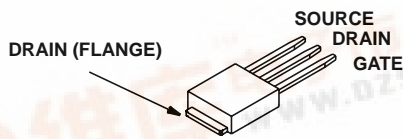
- 10A, 30V
- $r_{DS(ON)} = 0.200\Omega$
- Temperature Compensating PSPICE<sup>®</sup> Model
- PSPICE Thermal Model
- Peak Current vs Pulse Width Curve
- UIS Rating Curve
- 175°C Operating Temperature

### Symbol

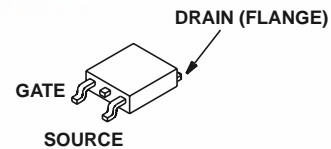


### Packaging

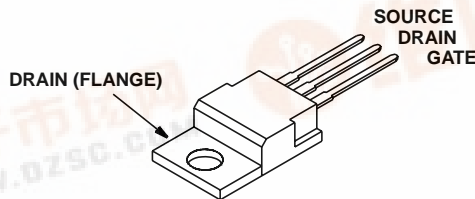
JEDEC TO-251AA



JEDEC TO-252AA



JEDEC TO-220AB



## RFD10P03L, RFD10P03LSM, RFP10P03L

### Absolute Maximum Ratings $T_C = 25^\circ\text{C}$ Unless Otherwise Specified

	RFD10P03L, RFD10P03LSM, RFP10P03L	UNITS
Drain to Source Voltage	-30	V
Drain to Gate Voltage ( $R_{GS} = 20\text{K}\Omega$ )	-30	V
Gate to Source Voltage	$\pm 10$	V
Drain Current		
RMS Continuous	10	A
Pulsed Drain Current	See Figure 5	
Single Pulse Avalanche Rating	Refer to UIS Curve	
Power Dissipation	65	W
Derate Above $25^\circ\text{C}$	0.43	W/ $^\circ\text{C}$
Operating and Storage Temperature	-55 to 175	$^\circ\text{C}$
Maximum Lead Temperature for Soldering (0.063in (1.6mm) from case for 10s)	300	$^\circ\text{C}$

**CAUTION:** Stresses above those listed in "Absolute Maximum Ratings" may cause permanent damage to the device. This is a stress only rating and operation of the device at these or any other conditions above those indicated in the operational sections of this specification is not implied.

**NOTE:**

- $T_J = 25^\circ\text{C}$  to  $150^\circ\text{C}$

### Electrical Specifications $T_C = 25^\circ\text{C}$ , Unless Otherwise Specified

PARAMETER	SYMBOL	TEST CONDITIONS	MIN	TYP	MAX	UNITS
Drain to Source Breakdown Voltage	$BV_{DSS}$	$I_D = 250\mu\text{A}$ , $V_{GS} = 0\text{V}$ (Figure 11)	-30	-	-	V
Gate Threshold Voltage	$V_{GS(TH)}$	$V_{GS} = V_{DS}$ , $I_D = 250\mu\text{A}$ (Figure 12)	-1	-	-2	V
Zero Gate Voltage Drain Current	$I_{DSS}$	$V_{DS} = -30\text{V}$ , $T_C = 25^\circ\text{C}$	-	-	-1	$\mu\text{A}$
		$V_{GS} = 0\text{V}$ , $T_C = 150^\circ\text{C}$	-	-	-50	$\mu\text{A}$
Gate to Source Leakage Current	$I_{GSS}$	$V_{GS} = \pm 10\text{V}$	-	-	$\pm 100$	nA
Drain to Source On Resistance (Note 1)	$r_{DS(ON)}$	$I_D = 10\text{A}$ , $V_{GS} = -5\text{V}$ (Figures 9, 10)	-	-	0.200	$\Omega$
		$I_D = 10\text{A}$ , $V_{GS} = -4.5\text{V}$ (Figures 9, 10)	-	-	0.220	$\Omega$
Turn-On Time	$t_{ON}$	$V_{DD} = 15\text{V}$ , $I_D \cong 10\text{A}$ , $R_L = 1.5\Omega$ , $R_{GS} = 5\Omega$ , $V_{GS} = -5\text{V}$ (Figure 13)	-	-	100	ns
Turn-On Delay Time	$t_{d(ON)}$		-	15	-	ns
Rise Time	$t_r$		-	50	-	ns
Turn-Off Delay Time	$t_{d(OFF)}$		-	35	-	ns
Fall Time	$t_f$		-	20	-	ns
Turn-Off Time	$t_{OFF}$		-	-	80	ns
Total Gate Charge	$Q_g(TOT)$	$V_{GS} = 0$ to $-10\text{V}$	-	25	30	nC
Gate Charge at -5V	$Q_g(-5)$	$V_{GS} = 0$ to $-5\text{V}$		13	16	nC
Threshold Gate Charge	$Q_g(TH)$	$V_{GS} = 0$ to $-1\text{V}$		1.2	1.5	nC
Input Capacitance	$C_{ISS}$	$V_{DS} = -25\text{V}$ , $V_{GS} = 0\text{V}$ , $f = 1\text{MHz}$ (Figure 15)	-	1035	-	pF
Output Capacitance	$C_{OSS}$		-	340	-	pF
Reverse Transfer Capacitance	$C_{RSS}$		-	35	-	pF
Thermal Resistance, Junction to Case	$R_{\theta JC}$		-	-	2.30	$^\circ\text{C/W}$
Thermal Resistance, Junction to Ambient	$R_{\theta JA}$	RFD10P03L, RFD10P03LSM	-	-	100	$^\circ\text{C/W}$
		RFP10P03L	-	-	80	$^\circ\text{C/W}$

### Source to Drain Diode Specifications

PARAMETER	SYMBOL	TEST CONDITIONS	MIN	TYP	MAX	UNITS
Source to Drain Forward Voltage	$V_{SD}$	$I_{SD} = -10\text{A}$	-	-	-1.5	V
Reverse Recovery Time	$t_{rr}$	$I_{SD} = -10\text{A}$ , $dI_{SD}/dt = -100\text{A}/\mu\text{s}$	-	-	75	ns

**NOTE:**

- Pulse Test: Pulse width  $\leq 300\mu\text{s}$ , Duty Cycle  $\leq 2\%$ .

# RFD10P03L, RFD10P03LSM, RFP10P03L

## Typical Performance Curves Unless Otherwise Specified

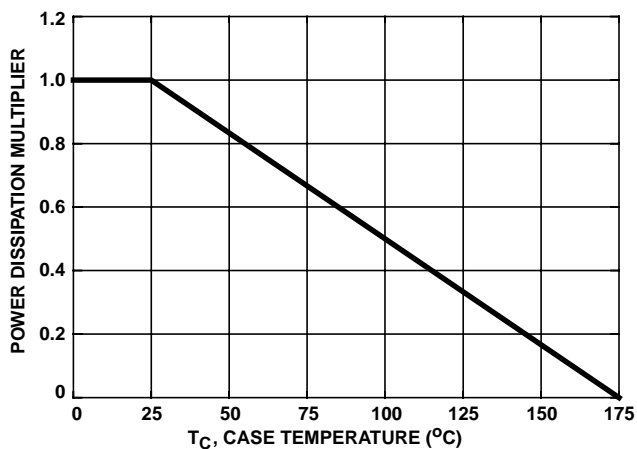


FIGURE 1. NORMALIZED POWER DISSIPATION vs CASE TEMPERATURE

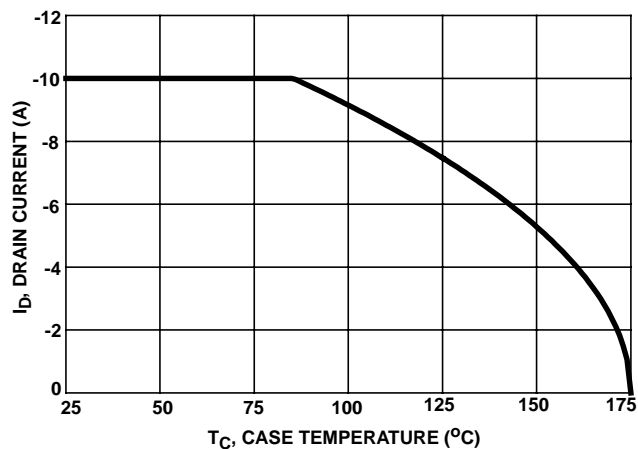


FIGURE 2. MAXIMUM CONTINUOUS DRAIN CURRENT vs CASE TEMPERATURE

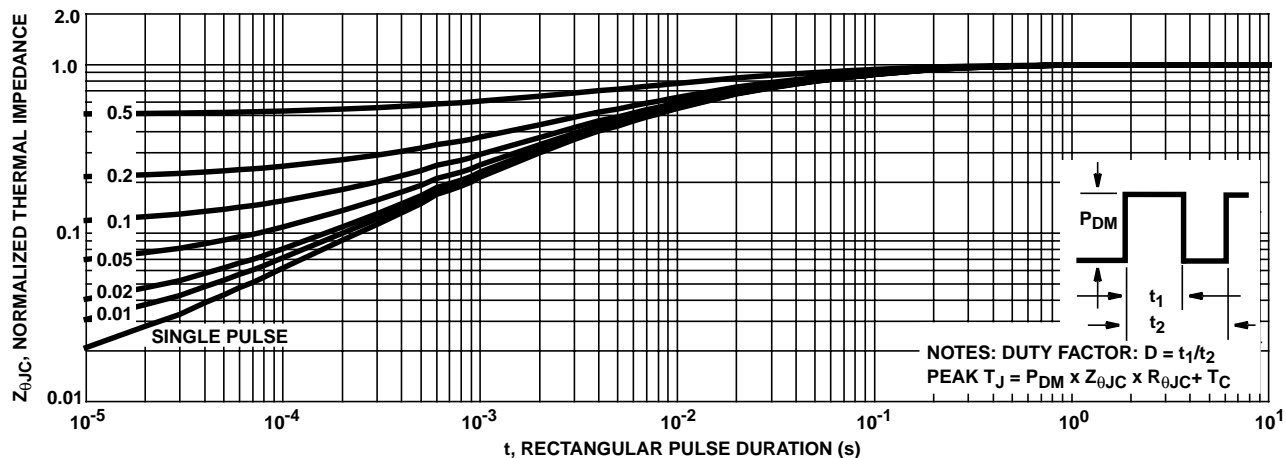


FIGURE 3. NORMALIZED MAXIMUM TRANSIENT THERMAL IMPEDANCE

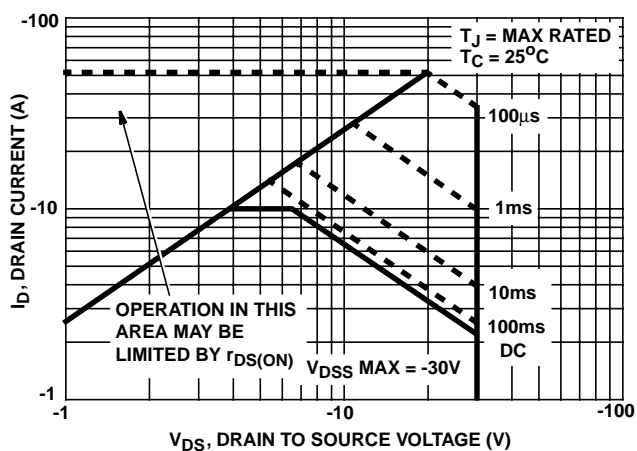


FIGURE 4. FORWARD BIAS SAFE OPERATING AREA

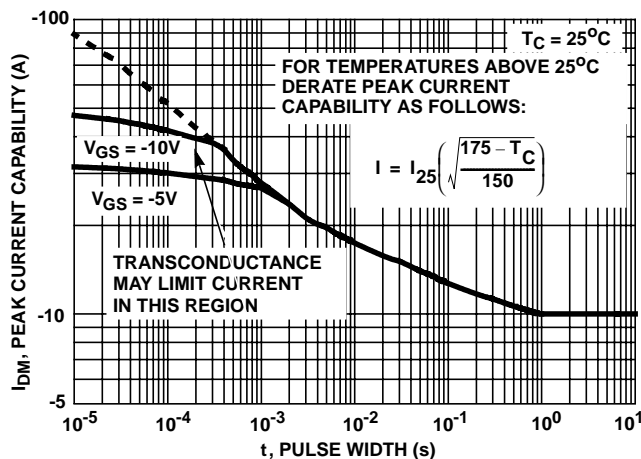
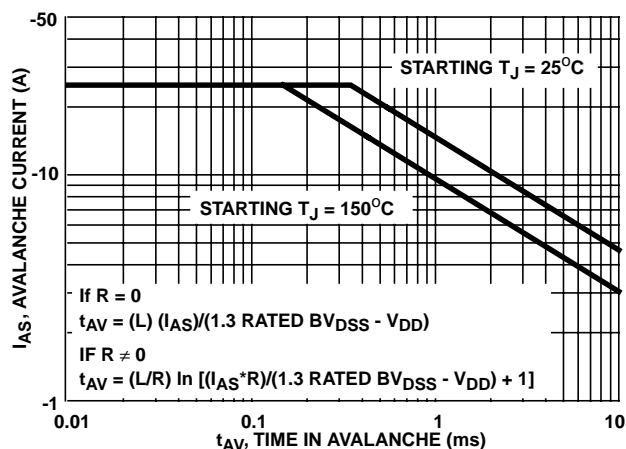


FIGURE 5. PEAK CURRENT CAPABILITY

Typical Performance Curves Unless Otherwise Specified (Continued)



NOTE: Refer to Intersil Application Notes AN9321 and AN9322.

FIGURE 6. UNCLAMPED INDUCTIVE SWITCHING CAPABILITY

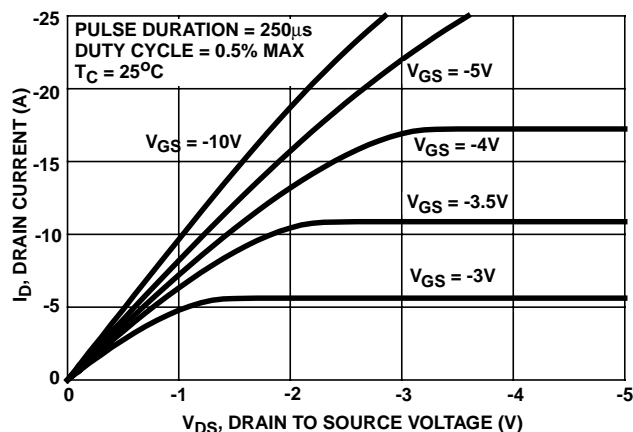


FIGURE 7. SATURATION CHARACTERISTICS

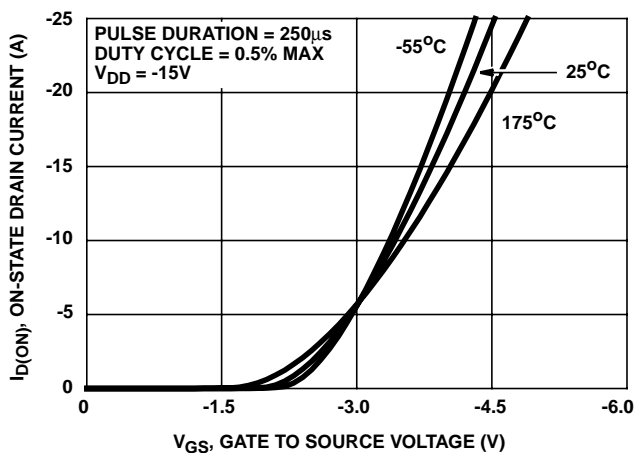


FIGURE 8. TRANSFER CHARACTERISTICS

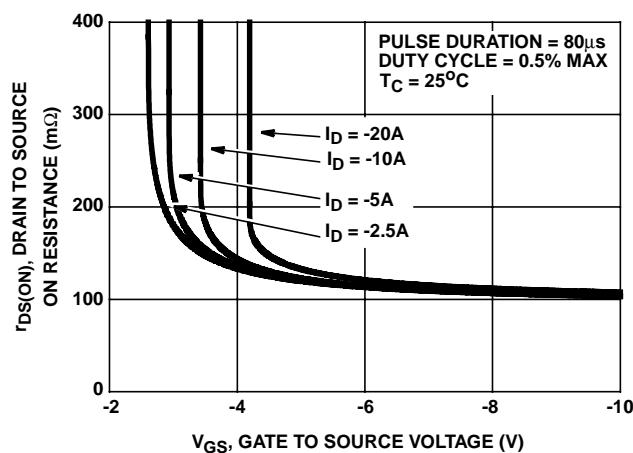


FIGURE 9. DRAIN TO SOURCE ON RESISTANCE vs GATE VOLTAGE AND DRAIN CURRENT

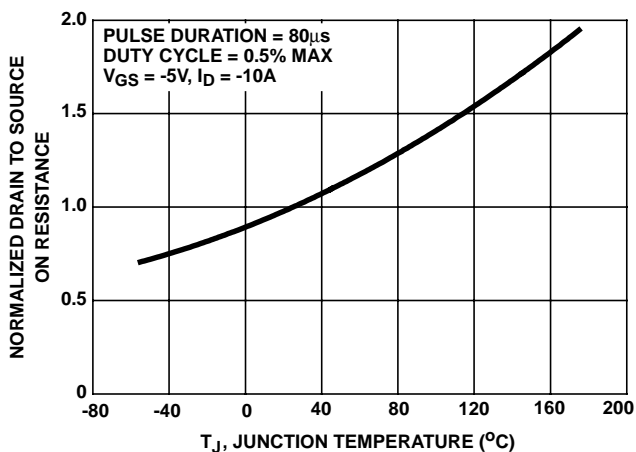


FIGURE 10. NORMALIZED DRAIN TO SOURCE ON RESISTANCE vs JUNCTION TEMPERATURE

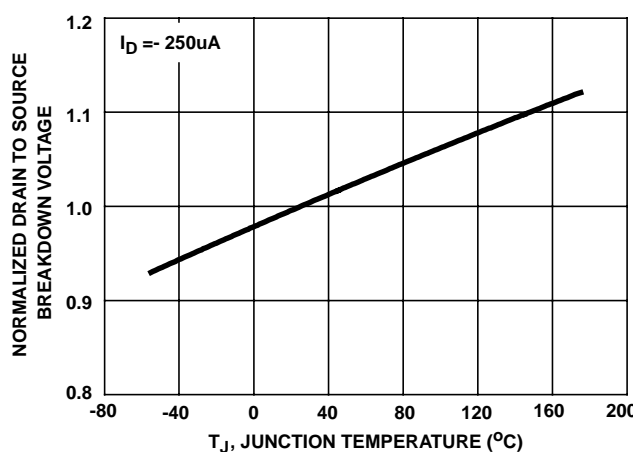


FIGURE 11. NORMALIZED DRAIN TO SOURCE BREAKDOWN VOLTAGE vs JUNCTION TEMPERATURE

## RFD10P03L, RFD10P03LSM, RFP10P03L

### Typical Performance Curves Unless Otherwise Specified (Continued)

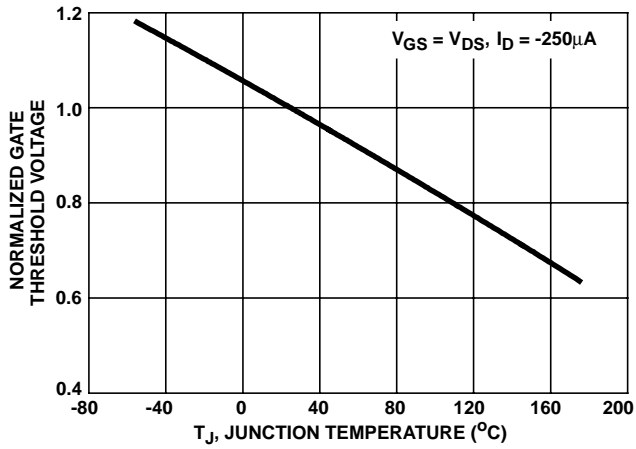


FIGURE 12. NORMALIZED GATE THRESHOLD VOLTAGE vs JUNCTION TEMPERATURE

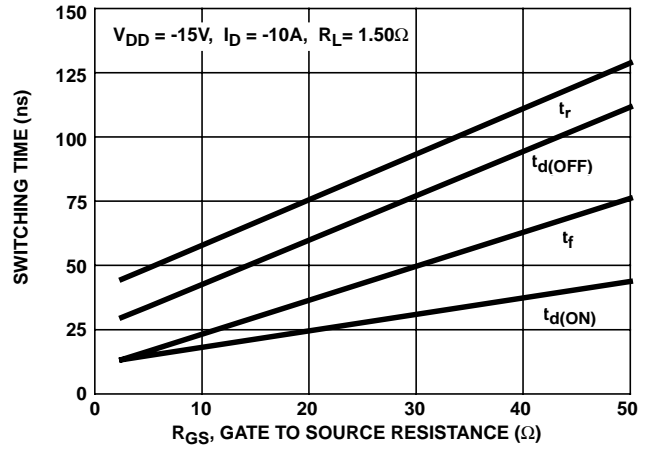
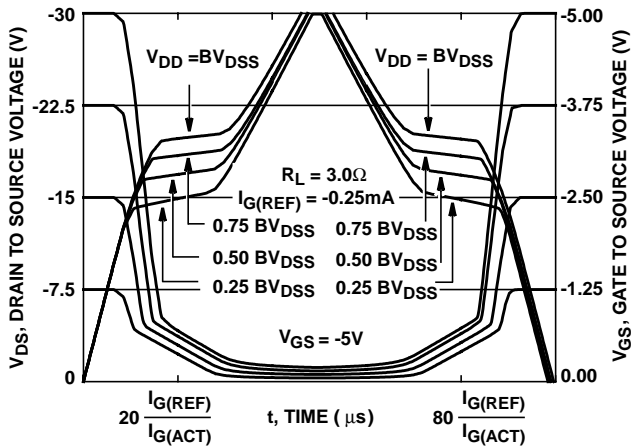


FIGURE 13. SWITCHING TIME vs GATE RESISTANCE



NOTE: Refer to Intersil Application Notes AN7254 and AN7260.

FIGURE 14. NORMALIZED SWITCHING WAVEFORMS FOR CONSTANT GATE CURRENT

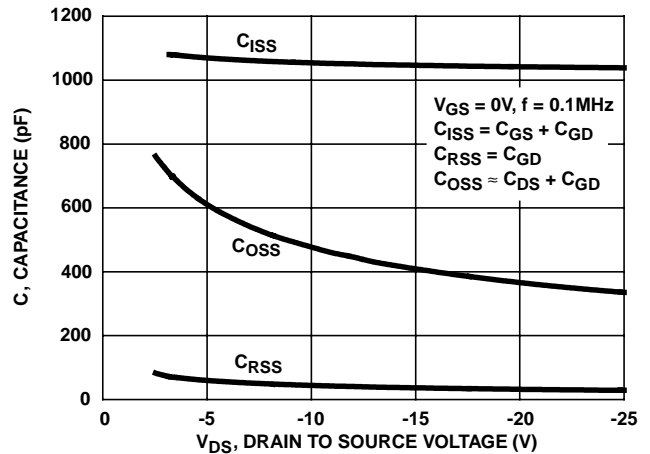


FIGURE 15. CAPACITANCE vs DRAIN TO SOURCE VOLTAGE

### Test Circuits and Waveforms

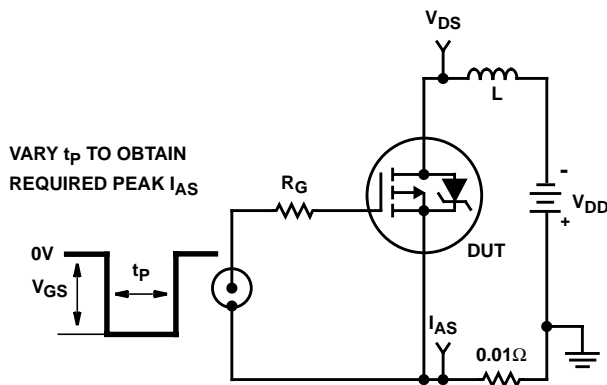


FIGURE 16. UNCLAMPED ENERGY TEST CIRCUIT

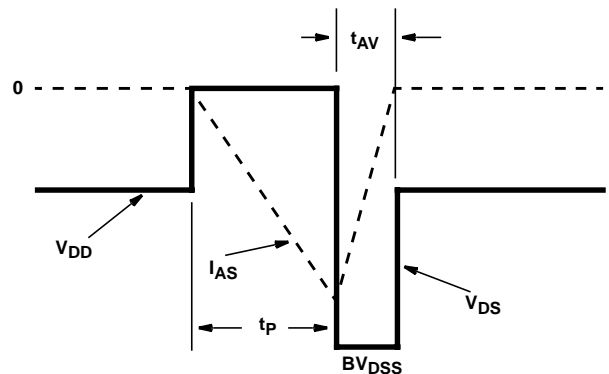


FIGURE 17. UNCLAMPED ENERGY WAVEFORMS

Test Circuits and Waveforms (Continued)

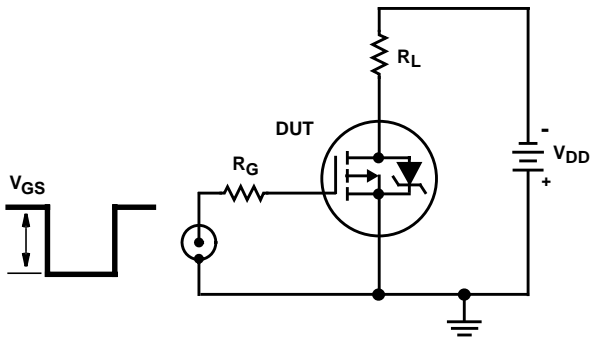


FIGURE 18. SWITCHING TIME TEST CIRCUIT

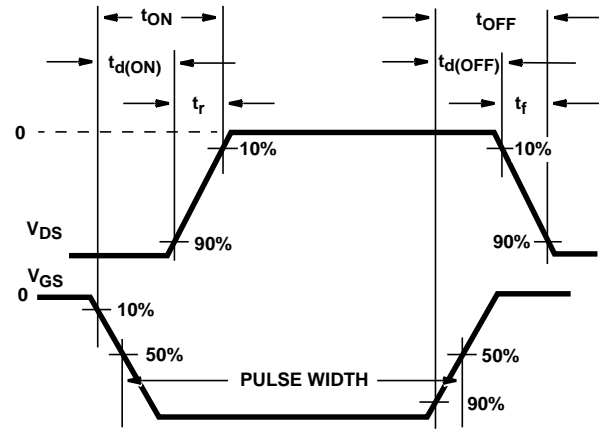


FIGURE 19. RESISTIVE SWITCHING WAVEFORMS

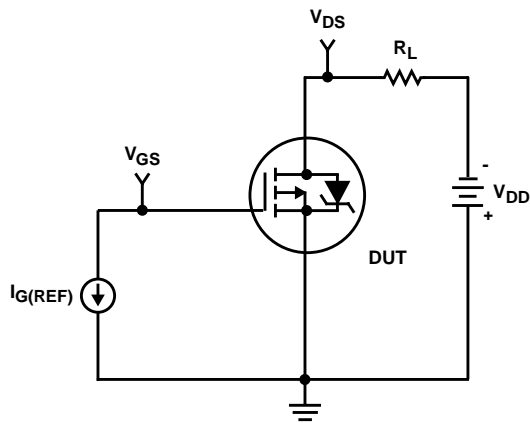


FIGURE 20. GATE CHARGE TEST CIRCUIT

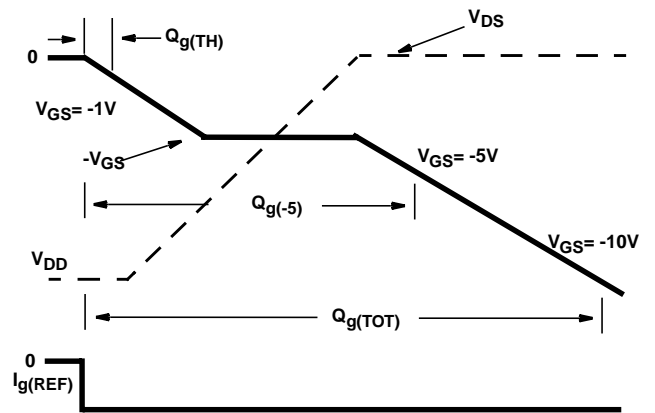


FIGURE 21. GATE CHARGE WAVEFORMS

# RFD10P03L, RFD10P03LSM, RFP10P03L

## PSpice Electrical Model

.SUBCKT RFD10P03L 2 1 3 REV 22 Aug 96

CA 12 8 1.29e-9  
 CB 15 14 9.90e-10  
 CIN 6 8 1.01e-9

DBODY 5 7 DBODYMOD  
 DBREAK 7 11 DBREAKMOD  
 DPLCAP 10 6 DPLCAPMOD

EBREAK 5 11 17 18 -36.49  
 EDS 14 8 5 8 1  
 EGS 13 8 6 8 1  
 ESG 5 10 8 6 1  
 EVTHRES 6 21 19 8 1  
 EVTEMP 6 20 18 22 1

IT 8 17 1

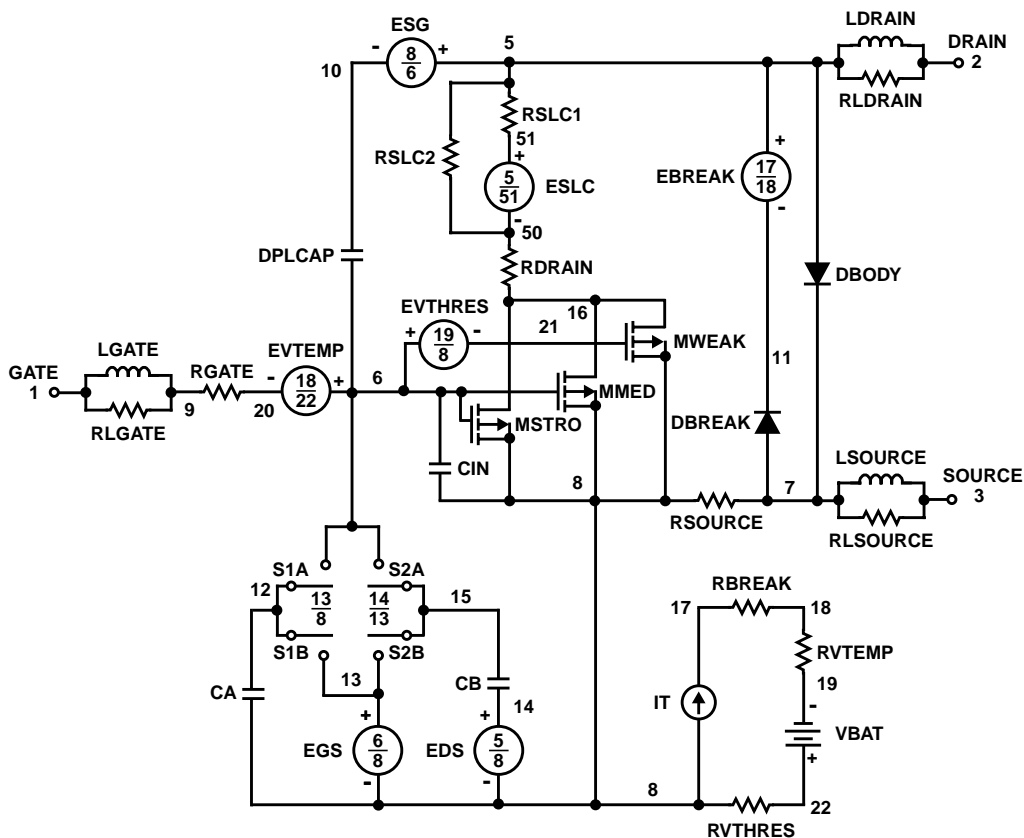
LDRAIN 2 5 1e-9  
 LGATE 1 9 3.40e-9  
 LSOURCE 3 7 3.22e-9

MMED 16 6 8 8 MmedMOD  
 MSTRO 16 6 8 8 MstroMOD  
 MWEAK 16 21 8 8 MweakMOD

RBREAK 17 18 RBREAKMOD 1  
 RDRAIN 50 16 RDRAINMOD 68.25e-3  
 RGATE 9 20 2.54  
 RSCL1 5 51 RSCLMOD 1e-6  
 RSCL2 5 50 1e3  
 RSOURCE 8 7 RSourceMOD 25.00e-3  
 RVTHRES 22 8 RVTHRESMOD 1  
 RVTEMP 18 19 RVTEMPMOD 1

S1A 6 12 13 8 S1AMOD  
 S1B 13 12 13 8 S1BMOD  
 S2A 6 15 14 13 S2AMOD  
 S2B 13 15 14 13 S2BMOD

VBAT 22 19 DC 1



ESCL 51 50 VALUE={{(V(5,51)/ABS(V(5,51)))<sup>2</sup>\*(PWR(V(5,51)/(1e-6<sup>33</sup>),5.0))}}

.MODEL DBODYMOD D (IS=9.15e-13 RS=3.25e-2 IKF=0.05 N=0.97 TRS1=4.11e-5 TRS2=2.03e-6 CJO=1.13e-9 M=0.40 TT=3.72e-8)  
 .MODEL DBREAKMOD D (RS=2.62e-1 TRS1=1.74e-3 TRS2=-3.81e-6)  
 .MODEL DPLCAPMOD D (CJO=1.46e-10 IS=1e-30 N=10 M=0.50)  
 .MODEL MSTRONGMOD PMOS (VTO=-1.95 KP=11.60 IS=1e-30 N=10 TOX=1 L=1u W=1u)  
 .MODEL MMEDMOD PMOS (VTO=-1.65 KP=1.00 IS=1e-30 N=10 TOX=1 L=1u W=1u RG=2.54)  
 .MODEL MWEAKMOD PMOS (VTO=-1.43 KP=0.09 IS=1e-30 N=10 TOX=1 L=1u W=1u RG=25.4 RS=0.1)  
 .MODEL RBREAKMOD RES (TC1=9.17e-4 TC2=-2.74e-7)  
 .MODEL RDRAINMOD RES (TC1=6.35e-3 TC2=1.98e-5)  
 .MODEL RSOURCEMOD RES (TC1=0 TC2=0)  
 .MODEL RSCLMOD RES (TC1=2e-3 TC2=0)  
 .MODEL RVTHRESMOD RES (TC1=1.23e-3 TC2=1.97e-6)  
 .MODEL RVTEMPMOD RES (TC1=-1.18e-3 TC2=1.44e-6)  
 .MODEL S1AMOD VSWITCH (RON=1e-5 ROFF=0.1 VON=4.80 VOFF=1.80)  
 .MODEL S1BMOD VSWITCH (RON=1e-5 ROFF=0.1 VON=1.80 VOFF=4.80)  
 .MODEL S2AMOD VSWITCH (RON=1e-5 ROFF=0.1 VON=-0.40 VOFF=-3.40)  
 .MODEL S2BMOD VSWITCH (RON=1e-5 ROFF=0.1 VON=-3.40 VOFF=-0.40)  
 ENDS

For further discussion of the PSpice model consult A New PSpice Sub-circuit for the Power MOSFet Featuring Global Temperature Options; authored by William J. Hepp and C. Frank Wheatley.

## RFD10P03L, RFD10P03LSM, RFP10P03L

### PSpice Thermal Model

REV 29 Aug 96

RFP10P03L

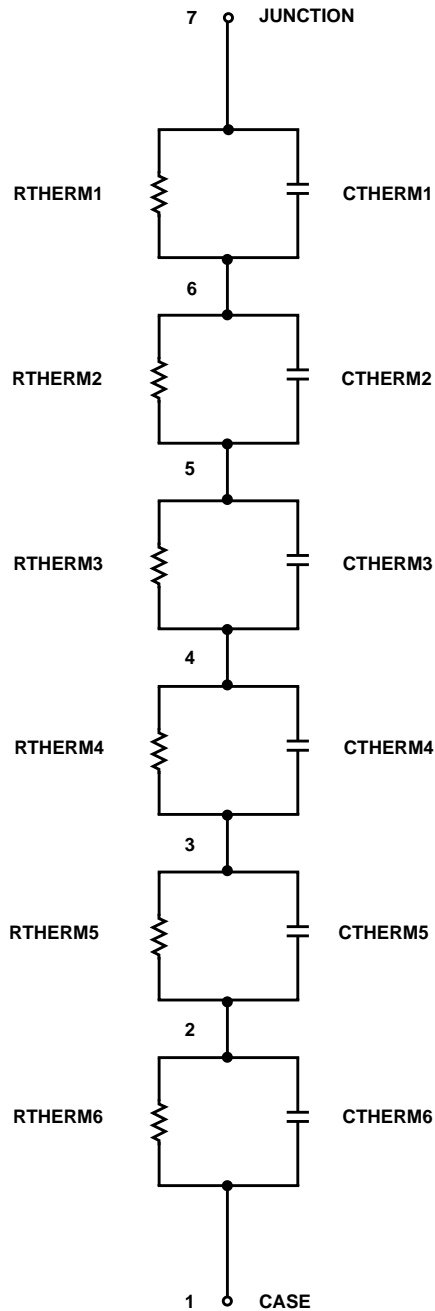
CTHERM1 7 6 5.00e-7  
 CTHERM2 6 5 5.35e-4  
 CTHERM3 5 4 5.50e-4  
 CTHERM4 4 3 1.75e-3  
 CTHERM5 3 2 1.25e-2  
 CTHERM6 2 1 0.45

RTHERM1 7 6 1.00e-2  
 RTHERM2 6 5 2.05e-2  
 RTHERM3 5 4 5.39e-2  
 RTHERM4 4 3 5.45e-1  
 RTHERM5 3 2 1.01  
 RTHERM6 2 1 0.50

RFD10P03L, RFD10P03LSM

CTHERM1 7 6 5.00e-7  
 CTHERM2 6 5 5.35e-4  
 CTHERM3 5 4 5.50e-4  
 CTHERM4 4 3 1.75e-3  
 CTHERM5 3 2 1.25e-2  
 CTHERM6 2 1 0.11

RTHERM1 7 6 1.00e-2  
 RTHERM2 6 5 2.05e-2  
 RTHERM3 5 4 5.39e-2  
 RTHERM4 4 3 5.45e-1  
 RTHERM5 3 2 1.01  
 RTHERM6 2 1 0.50



All Intersil semiconductor products are manufactured, assembled and tested under **ISO9000** quality systems certification.

*Intersil semiconductor products are sold by description only. Intersil Corporation reserves the right to make changes in circuit design and/or specifications at any time without notice. Accordingly, the reader is cautioned to verify that data sheets are current before placing orders. Information furnished by Intersil is believed to be accurate and reliable. However, no responsibility is assumed by Intersil or its subsidiaries for its use; nor for any infringements of patents or other rights of third parties which may result from its use. No license is granted by implication or otherwise under any patent or patent rights of Intersil or its subsidiaries.*

For information regarding Intersil Corporation and its products, see web site <http://www.intersil.com>

### Sales Office Headquarters

#### NORTH AMERICA

Intersil Corporation  
 P. O. Box 883, Mail Stop 53-204  
 Melbourne, FL 32902  
 TEL: (407) 724-7000  
 FAX: (407) 724-7240

#### EUROPE

Intersil SA  
 Mercure Center  
 100, Rue de la Fusee  
 1130 Brussels, Belgium  
 TEL: (32) 2.724.2111  
 FAX: (32) 2.724.22.05

#### ASIA

Intersil (Taiwan) Ltd.  
 7F-6, No. 101 Fu Hsing North Road  
 Taipei, Taiwan  
 Republic of China  
 TEL: (886) 2 2716 9310  
 FAX: (886) 2 2715 3029