

## -8A, -80V and -100V, 0.400 Ohm, P-Channel Power MOSFETs

These are P-Channel enhancement mode silicon gate power field effect transistors designed for applications such as switching regulators, switching converters, motor drivers, relay drivers, and drivers for high power bipolar switching transistors requiring high speed and low gate drive power. These types can be operated directly from integrated circuits.

Formerly developmental type TA17511.

### Ordering Information

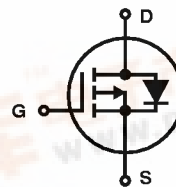
PART NUMBER	PACKAGE	BRAND
RFM8P08	TO-204AA	RFM8P08
RFM8P10	TO-204AA	RFM8P10
RFP8P08	TO-220AB	RFP8P08
RFP8P10	TO-220AB	RFP8P10

NOTE: When ordering, include the entire part number.

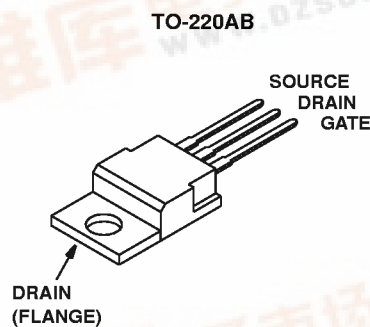
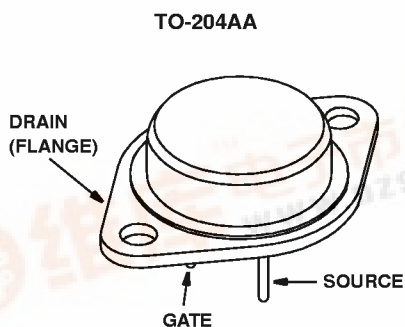
### Features

- 8A, -80V and -100V
- $r_{DS(ON)} = 0.400\Omega$
- Related Literature
  - TB334 "Guidelines for Soldering Surface Mount Components to PC Boards"

### Symbol



### Packaging



## RFM8P08, RFM8P10, RFP8P08, RFP8P10

### Absolute Maximum Ratings $T_C = 25^\circ\text{C}$ , Unless Otherwise Specified

	RFM8P08	RFM8P10	RFP8P08	RFP8P10	UNITS	
Drain to Source Voltage (Note 1) . . . . .	$V_{DS}$	-80	-100	-80	-100	V
Drain to Gate Voltage ( $R_{GS} = 20k\Omega$ ) (Note 1) . . . . .	$V_{DGR}$	-80	-100	-80	-100	V
Continuous Drain Current . . . . .	$I_D$	8	8	8	8	A
Pulsed Drain Current (Note 3) . . . . .	$I_{DM}$	20	20	20	20	A
Gate to Source Voltage . . . . .	$V_{GS}$	$\pm 20$	$\pm 20$	$\pm 20$	$\pm 20$	V
Maximum Power Dissipation . . . . .		100	100	75	75	W
Linear Derating Factor . . . . .		0.8	0.8	0.6	0.6	W/ $^\circ\text{C}$
Operating and Storage Temperature . . . . .	$T_J, T_{STG}$	-55 to 150	-55 to 150	-55 to 150	-55 to 150	$^\circ\text{C}$
Maximum Temperature for Soldering						
Leads at 0.063in (1.6mm) from Case for 10s. . . . .	$T_L$	300	300	300	300	$^\circ\text{C}$
Package Body for 10s, See Techbrief 334 . . . . .	$T_{pkg}$	260	260	260	260	$^\circ\text{C}$

CAUTION: Stresses above those listed in "Absolute Maximum Ratings" may cause permanent damage to the device. This is a stress only rating and operation of the device at these or any other conditions above those indicated in the operational sections of this specification is not implied.

NOTE:

1.  $T_J = 25^\circ\text{C}$  to  $125^\circ\text{C}$ .

### Electrical Specifications $T_C = 25^\circ\text{C}$ , Unless Otherwise Specified

PARAMETER	SYMBOL	TEST CONDITIONS	MIN	TYP	MAX	UNITS
Drain to Source Breakdown Voltage RFM8P08, RFP8P08	$BV_{DSS}$	$I_D = -250\mu\text{A}, V_{GS} = 0$	-80			V
			-100			V
RFM8P10, RFP8P10						
Gate Threshold Voltage	$V_{GS(TH)}$	$V_{GS} = V_{DS}, I_D = -250\mu\text{A}$	-2	-	-4	V
Zero Gate Voltage Drain Current	$I_{DSS}$	$V_{DS} = \text{Rated } BV_{DSS}, V_{GS} = 0\text{V}$	-	-	1	$\mu\text{A}$
		$V_{DS} = 0.8 \times \text{Rated } BV_{DSS}, V_{GS} = 0\text{V}, T_J = 125^\circ\text{C}$	-	-	25	$\mu\text{A}$
Gate to Source Leakage Current	$I_{GSS}$	$V_{GS} = \pm 20\text{V}, V_{DS} = 0$	-	-	$\pm 100$	nA
Drain to Source On Resistance (Note 2)	$r_{DS(ON)}$	$I_D = 8\text{A}, V_{GS} = -10\text{V}$ (Figures 6, 7)	-	-	0.400	$\Omega$
Drain to Source On Voltage (Note 2)	$V_{DS(ON)}$	$I_D = 8\text{A}, V_{GS} = -10\text{V}$	-	-	3.2	V
Turn-On Delay Time	$t_{d(ON)}$	$I_D \approx 4\text{A}, V_{DD} = 50\text{V}, R_G = 50\Omega, V_{GS} = -10\text{V}$ $R_L = 12\Omega,$ (Figures 10, 11, 12)	-	18	60	ns
Rise Time	$t_r$		-	70	150	ns
Turn-Off Delay Time	$t_{d(OFF)}$		-	166	275	ns
Fall Time	$t_f$		-	94	175	ns
Input Capacitance	$C_{ISS}$	$V_{GS} = 0\text{V}, V_{DS} = 25\text{V}, f = 1\text{MHz}$ (Figure 9)	-	-	1500	pF
Output Capacitance	$C_{OSS}$		-	-	700	pF
Reverse Transfer Capacitance	$C_{RSS}$		-	-	300	pF
Thermal Resistance, Junction to Case	$R_{\theta JC}$	RFM8P08, RFM8P10	-	-	1.25	$^\circ\text{C/W}$
		RFP8P08, RFP8P10	-	-	1.67	$^\circ\text{C/W}$

### Source to Drain Diode Specifications

PARAMETER	SYMBOL	TEST CONDITIONS	MIN	TYP	MAX	UNITS
Source to Drain Diode Voltage (Note 2)	$V_{SD}$	$I_{SD} = -4\text{A}$	-	-	-1.4	V
Diode Reverse Recovery Time	$t_{rr}$	$I_{SD} = -4\text{A}, dI_{SD}/dt = -100\text{A}/\mu\text{s}$	-	200	-	ns

NOTES:

2. Pulse Test: Pulse Width  $\leq 300\mu\text{s}$ , Duty Cycle  $\leq 2\%$
3. Repetitive rating: pulse width is limited by maximum junction temperature.

# RFM8P08, RFM8P10, RFP8P08, RFP8P10

## Typical Performance Curves

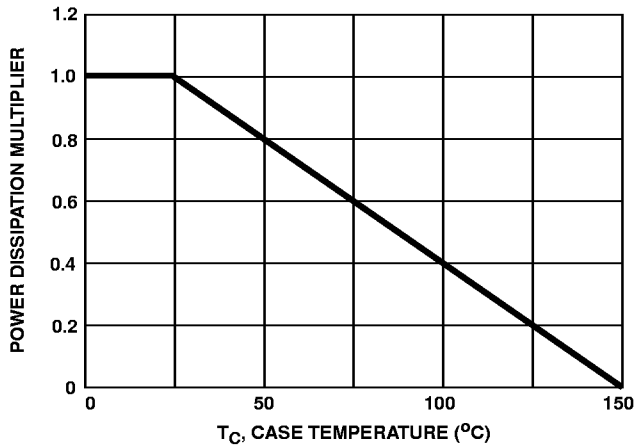


FIGURE 1. NORMALIZED POWER DISSIPATION vs CASE TEMPERATURE

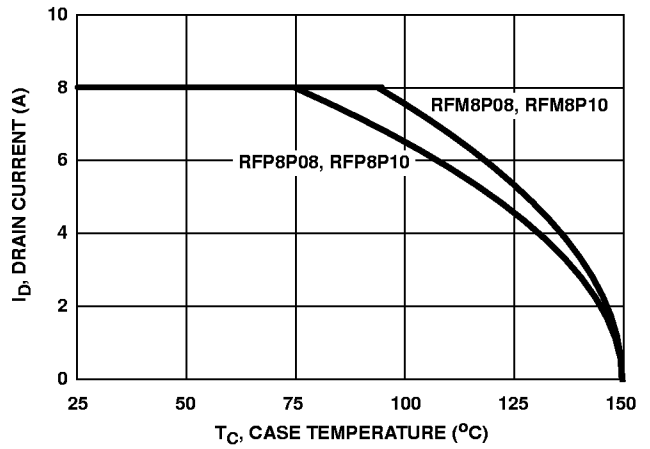


FIGURE 2. MAXIMUM CONTINUOUS DRAIN CURRENT vs CASE TEMPERATURE

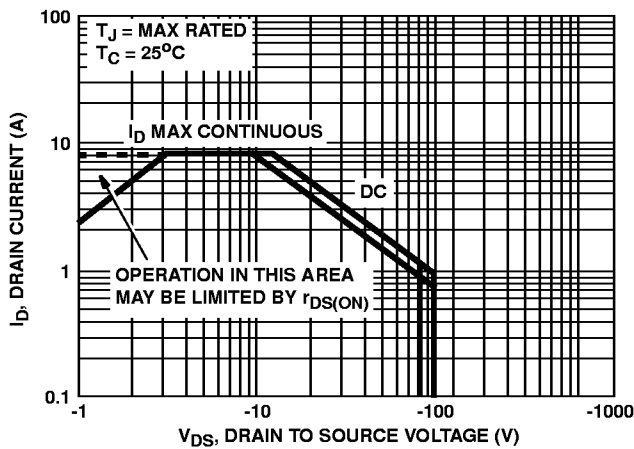


FIGURE 3. FORWARD BIAS SAFE OPERATING AREA

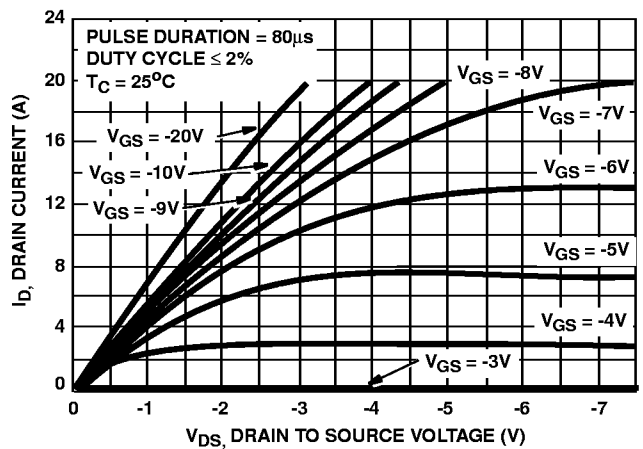


FIGURE 4. SATURATION CHARACTERISTICS

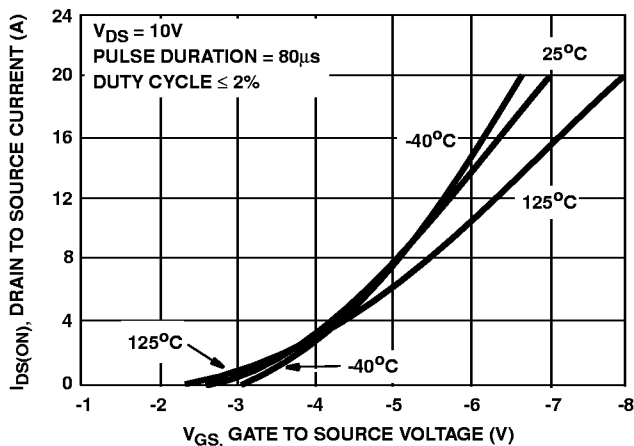


FIGURE 5. TRANSFER CHARACTERISTICS

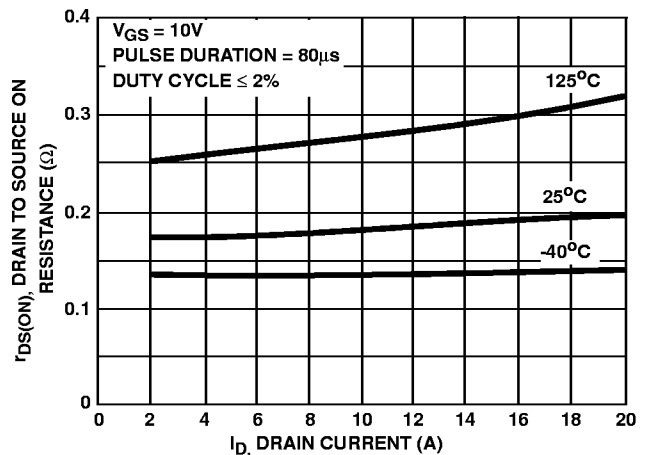


FIGURE 6. DRAIN TO SOURCE ON RESISTANCE vs DRAIN CURRENT

Typical Performance Curves (Continued)

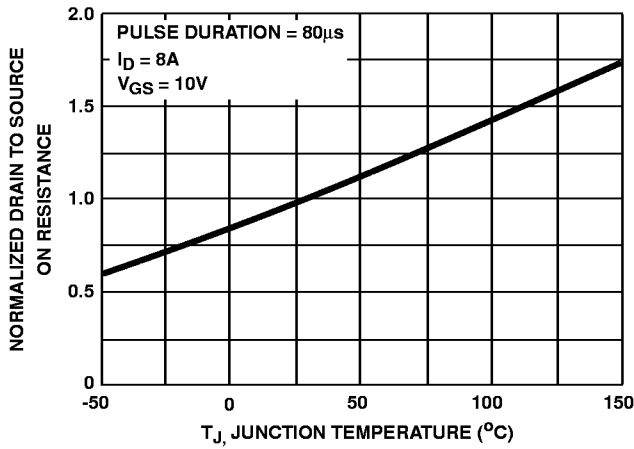


FIGURE 7. NORMALIZED DRAIN TO SOURCE ON RESISTANCE vs JUNCTION TEMPERATURE

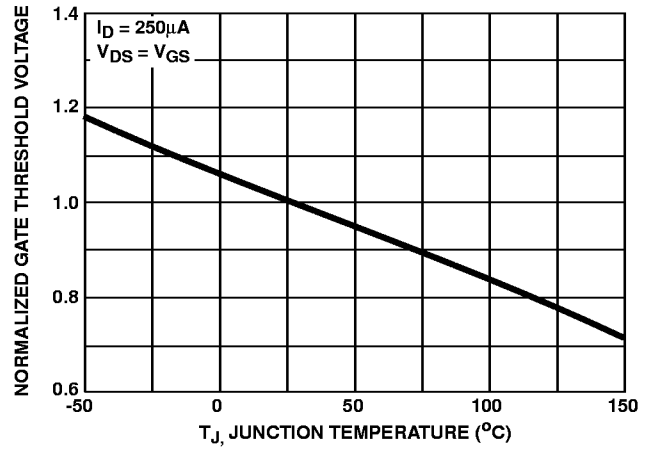


FIGURE 8. NORMALIZED GATE THRESHOLD VOLTAGE vs JUNCTION TEMPERATURE

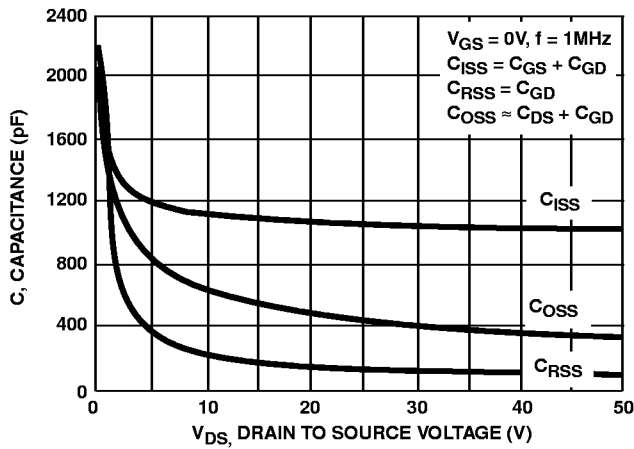
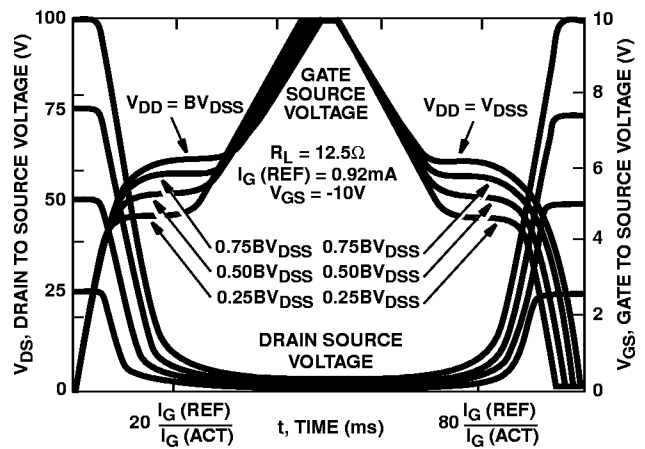


FIGURE 9. CAPACITANCE vs DRAIN TO SOURCE VOLTAGE



NOTE: Refer to Harris Applications Notes AN7254 and AN7260

FIGURE 10. NORMALIZED SWITCHING WAVEFORMS FOR CONSTANT GATE CURRENT

Test Circuits and Waveforms

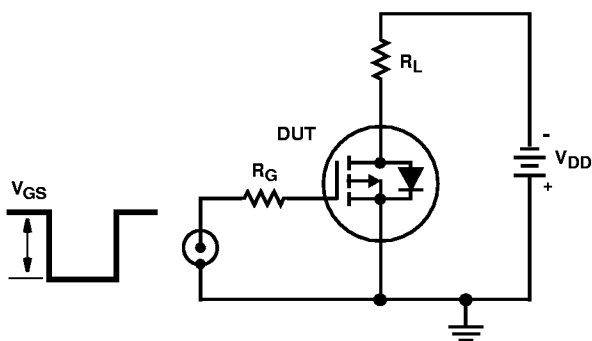


FIGURE 11. SWITCHING TIME TEST CIRCUIT

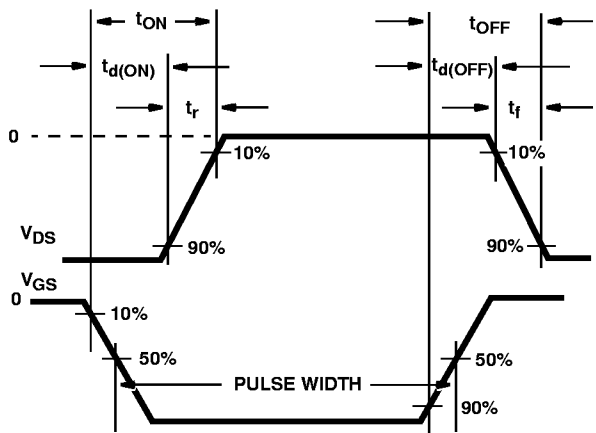


FIGURE 12. RESISTIVE SWITCHING WAVEFORMS

Test Circuits and Waveforms

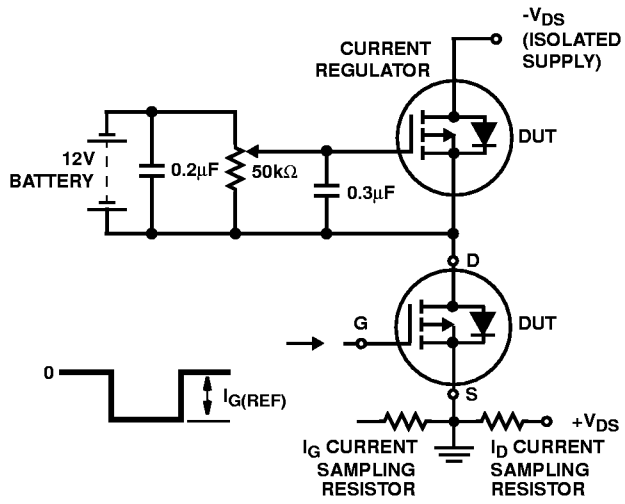


FIGURE 13. GATE CHARGE TEST CIRCUIT

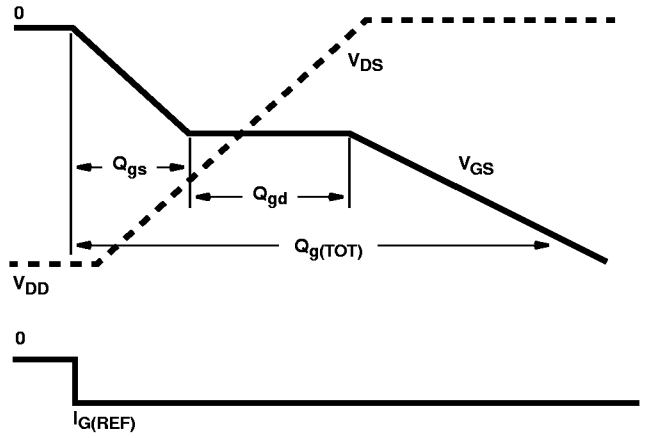


FIGURE 14. GATE CHARGE WAVEFORMS