

**Specification Status: Released**

**Electrical Rating**

**Voltage: 16V MAX**  
**Current: 100A MAX**

**Insulating Material:**

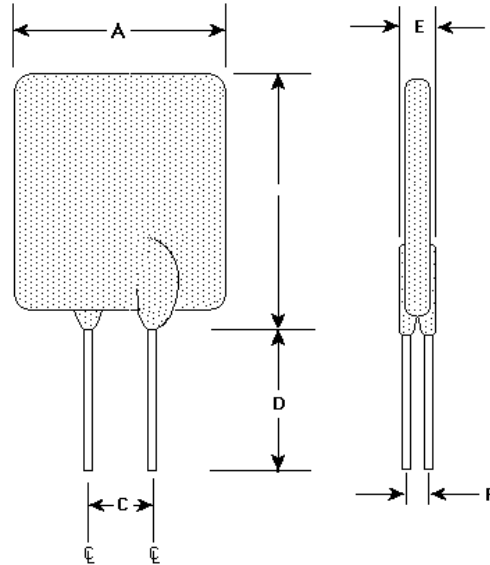
Cured, Flame Retardant Epoxy Polymer  
 meets UL94 V-0 Requirements

**Lead Material:**

18 AWG Tin Plated Copper  
 (1.0mm [0.040] nom. Diameter)

**Marking:**

- ┌── Raychem Logo and Voltage
- XX 16
- GF1200 ─── Part Identification
- ─── Lot Identification (can be on back)



**TABLE I. DIMENSIONS:**

	A		B		C		D		E		F
mm:	MIN	MAX	MIN	MAX	MIN	MAX	MIN	MAX	MIN	MAX	TYP
	16.4	17.5	22.6	28.0	9.4	10.9	7.6	-	2.3	3.5	1.4
in*:	(0.65)	(0.69)	(0.89)	(1.10)	(0.37)	(0.43)	(0.30)	-	(0.09)	(0.14)	(0.06)

\*Rounded off approximation

**TABLE II. PERFORMANCE RATINGS:**

I HOLD RATED CURRENT	CURRENT RATINGS		INITIAL RESISTANCE VALUES		TIME TO TRIP	R <sub>1</sub> MAX 1 HR. POST TRIP RESISTANCE STANDARD TRIP	TRIPPED-STATE POWER DISSIPATION
	AMPS AT 25°C HOLD	AMPS AT 25°C TRIP	OHMS AT 25°C		SECONDS AT 25°C, 60A MAX	OHMS AT 25°C MAX	WATTS AT 25°C TYP
12.0	12.0	20.4	MIN	MAX	7.5	0.0086	4.2
			0.0033	0.0057			

Agency Recognitions:  
 Reference Documents:  
 Precedence:  
 Effectivity:  
 CAUTION:

UL, CSA, TUV.  
 PS300  
 This specification takes precedence over documents referenced herein.  
 Reference documents shall be the issue in effect on the date of invitation for bid.  
 Operation beyond the rated voltage or current may result in rupture, electrical arcing or flame.

**Materials Information**

ROHS Compliant

ELV Compliant

Pb-Free

