

Tyco / Electronics
Raychem Circuit Protection
 308 Constitution Drive
 Menlo Park, CA 94025
 Phone: 800-227-4856
 Fax: 800-227-4866

PolySwitch®
PTC Devices
 Overcurrent Protection Device

PRODUCT: RGEF300

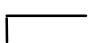
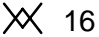

DOCUMENT: SCD 25192
 PCN: C95174
 REV LETTER: B
 REV DATE: JUNE 29, 2005
 PAGE NO.: 1 OF 1

Specification Status: Released

Electrical Rating
Voltage: 16V MAX
Current: 100A MAX

Insulating Material:
 Cured, Flame Retardant Epoxy Polymer
 meets UL94 V-0 Requirements

Lead Material:
 20 AWG Tin Plated Copper
 (0.81mm [0.032] nom. diameter)

Marking:
 Raychem Logo and Voltage
 XX 16
 GF300 — Part Identification
 — Lot Identification (can be on back)

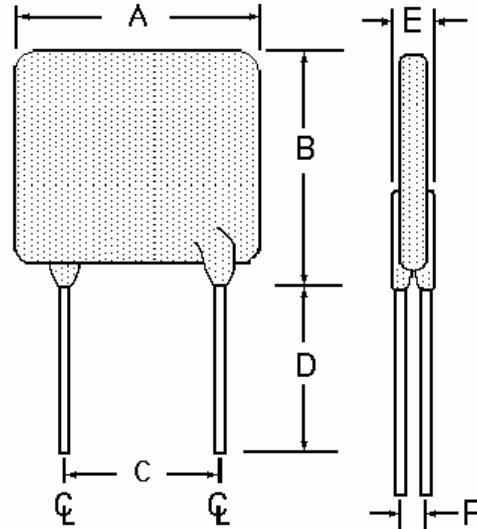


TABLE I. DIMENSIONS:

	A		B		C		D		E		F
	MIN	MAX	MIN	MAX	MIN	MAX	MIN	MAX	MIN	MAX	TYP
mm:	6.1	7.1	6.1	11.0	4.3	5.8	7.6	-	2.0	3.0	1.2
in*:	(0.24)	(0.28)	(0.24)	(0.43)	(0.17)	(0.23)	(0.30)	-	(0.08)	(0.12)	(0.05)

*Rounded off approximation

TABLE II. PERFORMANCE RATINGS :

I HOLD RATED CURRENT	CURRENT RATINGS		INITIAL RESISTANCE VALUES		TIME TO TRIP	R ₁ MAX 1 HR. POST TRIP RESISTANCE STANDARD TRIP	TRIPPED-STATE POWER DISSIPATION
AMPS AT 25°C HOLD	AMPS AT 25°C HOLD	AMPS AT 25°C TRIP	OHMS AT 25°C		SECONDS AT 25°C, 15A MAX	OHMS AT 25°C MAX	WATTS AT 25°C TYP
			MIN	MAX			
3.0	3.0	5.1	0.0380	0.0650	1.0	0.0975	2.3

Recognition:
 Reference Documents:
 Precedence:
 Effectivity:
 CAUTION:

UL, CSA, TUV recognized.
 PS300
 This specification takes precedence over documents referenced herein.
 Reference documents shall be the issue in effect on the date of invitation for bid.
 Operation beyond the rated voltage or current may result in rupture, electrical arcing or flame.

Materials Information
ROHS Compliant

ELV Compliant

Pb-Free

Directive 2002/95/EC Compliant

Directive 2000/53/EC Compliant

