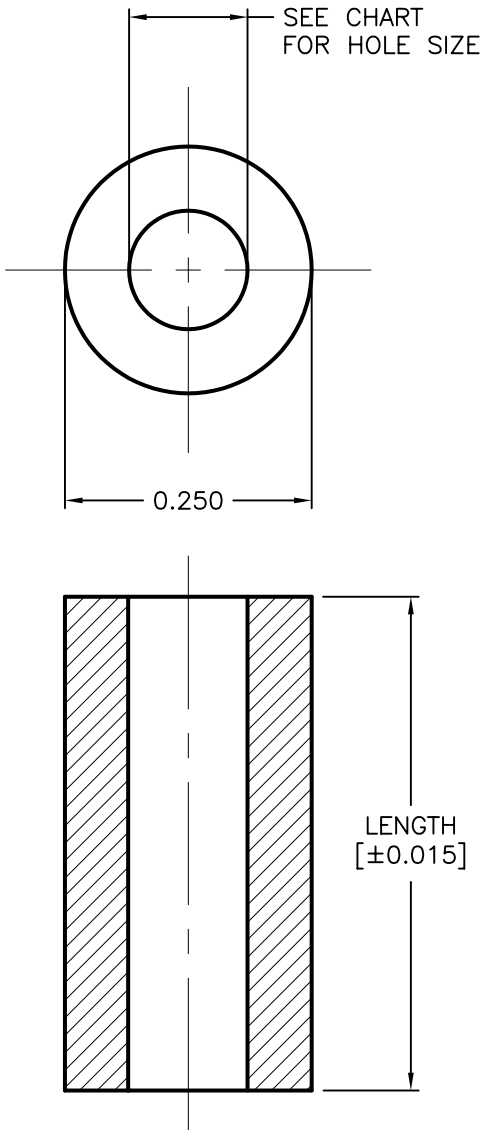


DCP #	REV	DESCRIPTION	DRAWN	DATE	CHECKD	DATE	APPRVD	DATE
564	C	REDRAWN; WAS ON RN-*-*A	HYO	4/6/00	JC	10/6/00	JC	10/6/00
1892	D	Update To RoHS Compliant	EO	3/14/06	HO	3/15/06	HO	3/15/06



SPC TYPE NO.	HOLE SIZE	LENGTH (INCHES)
RN-4-125-A	0.120 FOR #4 SCREW	0.125
RN-4-250-A		0.250
RN-4-375-A		0.375
RN-4-500-A		0.500
RN-4-750-A		0.750
RN-6-125-A	0.144 FOR #6 SCREW	0.125
RN-6-250-A		0.250
RN-6-375-A		0.375
RN-6-500-A		0.500
RN-6-750-A		0.750
RN-6-1000-A	1.000	
RN-8-250-A	0.171 FOR #8 SCREW	0.250
RN-8-375-A		0.375
RN-8-500-A		0.500
RN-8-750-A		0.750
RN-8-1000-A		1.000

1. MATERIAL: NYLON 6/6
2. COLOR: NATURAL

SPC-F004.DWG

TOLERANCES: UNLESS OTHERWISE SPECIFIED DECIMAL .XXX ± 0.005	DRAWN BY:	DATE:	DRAWING TITLE:			
	J.P.	4/15/93	ROUND NYLON THROUGH-HOLE SPACER			
	CHECKED BY:	DATE:	SIZE	DWG. NO.	ELECTRONIC FILE	REV
	J.C.	4/19/93	A	TA-250	TA-250.DWG	D
APPROVED BY:	DATE:	SCALE: NTS		U.O.M.: INCHES		SHEET: 1 OF 1
K.D.	4/19/93					