

RPM870-H7

Photo Link Module

IrDA wireless communication transceiver IC (supports Ver. 1.2 Low Power)

RPM870-H7

The RPM870-H7 is an Module that supports IrDA Ver. 1.2 (Low Power), and is ideal for wireless communications. An infrared LED, a pin-photo diode, and a receiver frequency formation LSI are all contained in a very small single package. It is also equipped with low power consumption and power down functions making this IC perfect for mobile sets.

●Features

- 1) Supports IrDA Ver. 1.2. (Low Power)
- 2) Low power consumption while standing by for receiving (75 μ A Typ.).
- 3) A power-down function is perfect for battery applications.
- 4) Supports a board power supply voltage range from 2.6V to 3.6V.
- 5) Only 1 external capacitor required.

●Applications

Mobile phones, PDAs, and others

●Absolute maximum ratings (Ta = 25°C)

Parameter	Symbol	Limits	Unit
Supply voltage	V _{cc}	7.0	V
Input voltage	V _{in}	-0.3~V _{cc} +0.3	V
Operating temperature	T _{opr}	-20~+85	°C
Storage temperature	T _{stg}	-30~+100	°C
LED peak current	I _{fp}	120 *1	mA
Power dissipation	P _d	100	mW

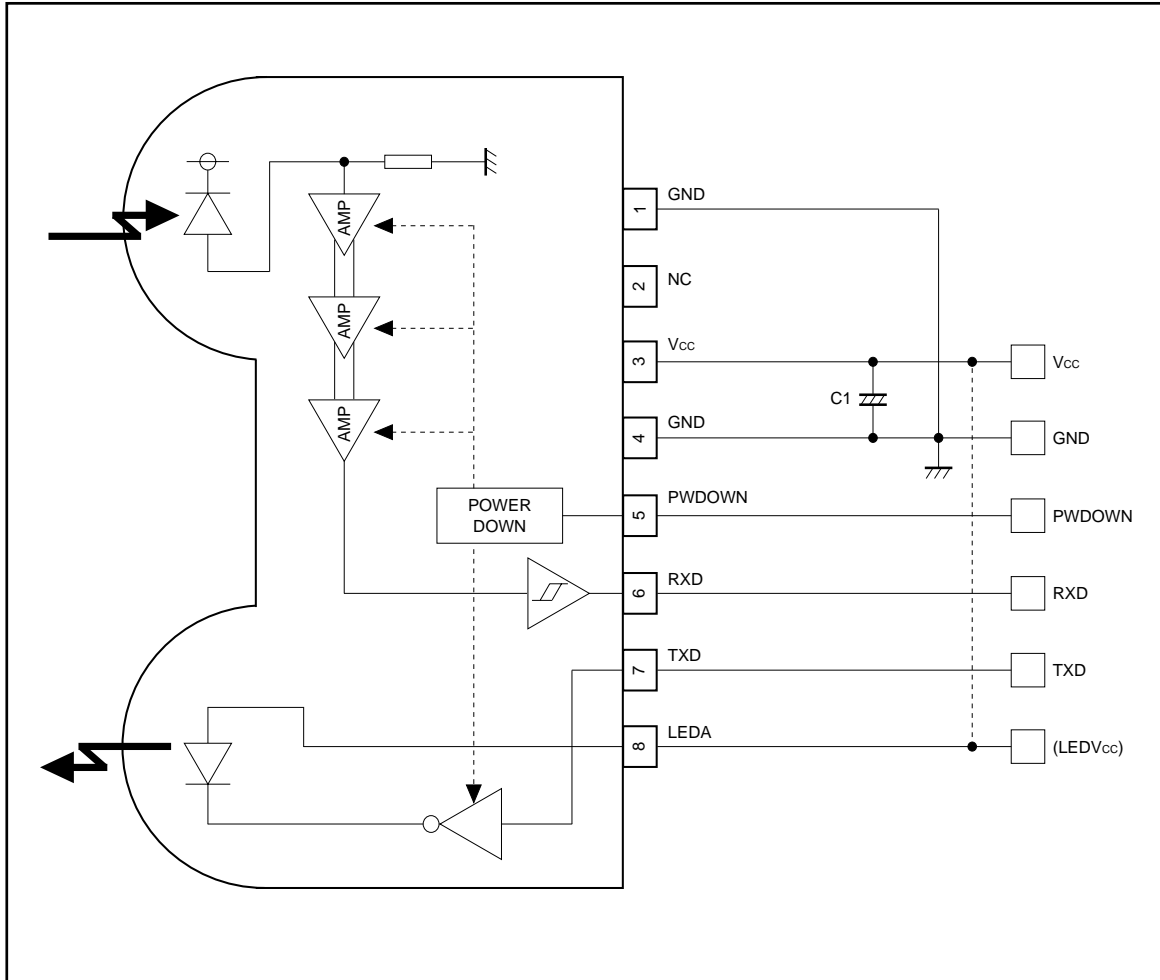
*1 LED peak current : <90 μ sec, on duty < 20%

●Recommended operating conditions (Ta = 25°C)

Parameter	Symbol	Min.	Typ.	Max.	Unit
Supply voltage	V _{cc}	2.6	3.0	3.6	V
	V _{LEDA}	2.6	3.0	5.5	V

Photo Link Module

●Block diagram and application circuit



Recommended values

Part symbol	Recommended value	Notice
C1	1 μ F, tantalum Ex.) TCFGA1A105M8R (ROHM)	Bigger capacitance is recommended with much noise from power supply

Photo Link Module

●Terminal description

Pin No	Terminal	Circuit	Function
1, 4	GND		GND
2	NC		This terminal must be left open.
3	Vcc		Vcc For preventing from ripple noise, connect a capacitor between Vcc (3pin) and GND (4pin).
5	PWDOWN		Power-down control terminal H : POWERDOWN L : OPERATION CMOS logic level input When input is L, it will stop the receiving circuit, Pin-PD current and transmitting LED operation.
6	RXD		Receiving data output terminal CMOS logic level input When PWDOWN (5pin) = H, the RXD output will be pulled up to Vcc at approximately 300kΩ.
7	TXD		Transmitting data input terminal H : LED Drive (PWDOWN = L) CMOS logic level output Holding TXD = "H" status, LED will be turn off approximately 48μsec.
8	LEDA		LED ANODE terminal Other power source can be used difference between LEDVcc and Vcc.

Photo Link Module

● **Electrical characteristics** (Unless otherwise noted, $V_{CC}=3V$, $V_{LEDV_{CC}}=3V$, $T_a = 25^{\circ}C$)

Parameter	Symbol	Min.	Typ.	Max.	Unit	Conditions
Consumption Current 1	I _{cc1}	–	75	99	μA	Stand-by for receiving, no input light.
Consumption Current 2	I _{cc2}	–	0.01	0.2	μA	PWDOWN = V _{CC} [V], no input light.
Transmission rate		2.4	–	115.2	kbps	
PWDOWN INPUT High Voltage	VPDH	V _{CC} -0.5	–	–	V	
PWDOWN INPUT Low Voltage	VPDL	–	–	0.5	V	
PWDOWN INPUT High Current	IPDH	-1.0	0	1.0	μA	PWDOWN = V _{CC} [V]
PWDOWN INPUT Low Current	IPDL	-1.0	0	1.0	μA	PWDOWN = 0 [V]
<Transmitter>						
TXD INPUT High Voltage	V _{TXH}	V _{CC} -0.5	–	–	V	
TXD INPUT Low Voltage	V _{TXL}	–	–	0.5	V	
TXD INPUT High Current	I _{TXH}	7.5	15	30	μA	TXD = V _{CC} [V]
TXD INPUT Low Current	I _{TXL}	-1.0	0	1.0	μA	TXD = 0 [V]
LED ANODE Current	I _{LEDA}	–	30.5	–	mA	
<Receiver>						
RXD OUTPUT High Voltage	V _{RXH}	V _{CC} -0.5	–	–	V	I _{RXH} = -50μA
RXD OUTPUT Low Voltage	V _{RXL}	–	–	0.5	V	I _{RXL} = 200μA
RXD OUTPUT Rise Time	t _{RR}	–	40	–	nsec	C _L = 15pF
RXD OUTPUT Fall Time	t _{FR}	–	20	–	nsec	C _L = 15pF
RXD OUTPUT Pulse Width	t _{wRXD}	1.5	2.3	3.6	μsec	C _L = 15pF, 2.4~115.2Kbps
Receiver Latency Time	t _{RT}	–	100	300	μsec	

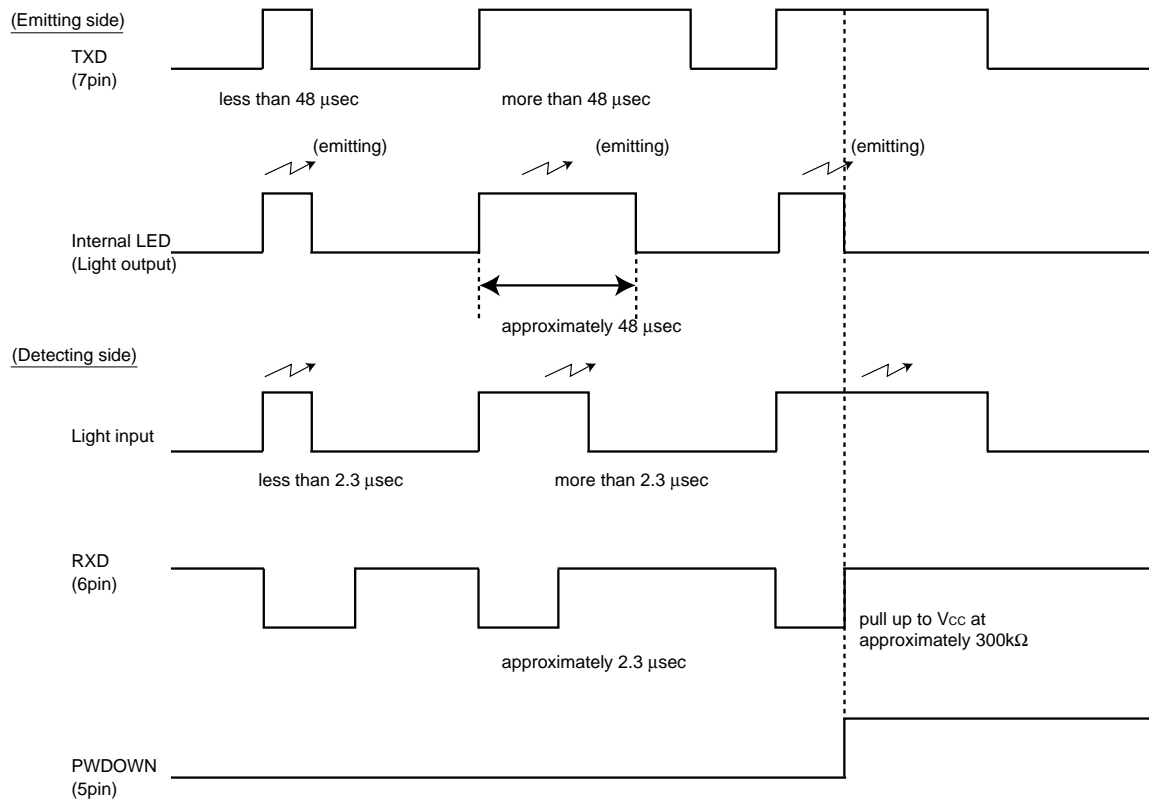
● **Optical characteristics** (Unless otherwise noted, $V_{CC}=3V$, $V_{LEDV_{CC}}=3V$, $T_a = 25^{\circ}C$)

Parameter	Symbol	Min.	Typ.	Max.	Unit	Conditions
Peak wave length	λ _P	850	870	900	nm	
Intensity 1	IE1	4.0	10	26	mW / Sr	-15° ≤ θ _L ≤ 15°
Intensity 2	IE2	–	–	3.6	mW / Sr	θ _L ≤ -30°, 30° ≤ θ _L
Half-Angle	θ _L / 2	–	±18	–	deg	
Rise time / Fall time	T _r / T _f	–	–	100	nsec	10%~90%
Optical over shoot		–	–	25	%	
Edge jitter	T _j	-40	–	40	nsec	
Irradiance in angular	E _e	0.0068	–	500	mW / cm ²	-15° ≤ θ _L ≤ 15°
INPUT Half-Angular	θ _D / 2	±15	–	–	deg	
Maximum Emitting Time	T _{LEDmax}	16	48	90	μsec	TXD=V _{CC}

- 1.This product is not designed for protection against radioactive rays.
- 2.This product dose not include laser transmitter.
- 3.This product includes one pin photo diode.
- 4.This product dose not include optical load.

Photo Link Module

●Timing chart



●Notes

- 1) LEDV_{CC} (8pin) and V_{CC} (3pin)
 - Other power source can be used difference between LEDV_{CC} and V_{CC}.
- 2) Caution in designing board lay-out

To get maximum potential from RPM870-H7, please keep in mind following instruction.

 - The line of RXD (6pin) should be connected at backside via through hole close to RPM870-H7 pin lead. Better not to be close to photo diode side (1pin).
 - ⇒ This is to minimize feedback supplied to photo diode from RXD.
 - As for C1 between 3-4 pin should be placed close to RPM870-H7.
 - Better to be placed more than 1.0cm in radius from photo diode (pin1 side) and also away from the parts which generates noise, such as DC / DC converter.
- 3) Others
 - Please be sure to set up the TXD (7pin) input to be "L" (under 0.5V) except transmitting data (for < 90 μ sec. on duty < 20%).
 - Powerdown current might increase if exposed by strong light (ex. direct sunlight) at powerdown mode.
 - Please use by the signal format which is specified by IrDA Ver1.2 (Low Power). There might be on error if used by different signal format.
- 4) Eye Safe
 - IEC825-1 (EN60825-1) Class 1 Eye Safe.

