

Tyco/Electronics
Raychem Circuit Protection
 308 Constitution Drive
 Menlo Park, CA 94025-1164
 Phone: 800-227-4856
 Fax: 800-227-4866

PolySwitch®
PTC Devices
 Overcurrent Protection Device

PRODUCT: RXE030

DOCUMENT: SCD 21864
 PCN: 042635
 REV LETTER: I
 REV DATE: AUGUST 20, 2001
 PAGE NO.: 1 OF 1

Specification Status: RELEASED

Electrical Rating

Voltage: 72V MAX
Current: 40A MAX

Insulating Material:

Cured, Flame Retarded Epoxy Polymer
 meets UL94 V-0 Requirements

Lead Material:

24 AWG Tin Lead Plated Copper Clad Steel

Marking:

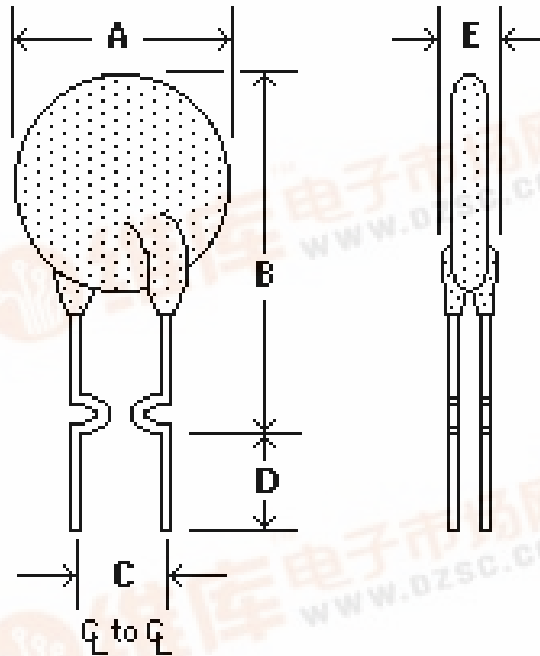
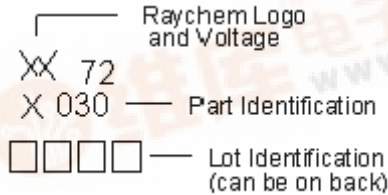


TABLE I. DIMENSIONS:

	A		B		C		D		E	
	MIN	MAX	MIN	MAX	MIN	MAX	MIN	MAX	MIN	MAX
mm:	--	7.4	--	12.7	4.3	5.8	7.6	--	--	3.0
in*:	--	(0.29)	--	(0.50)	(0.17)	(0.23)	(0.30)	--	--	(0.12)

*Rounded off approximation

TABLE II. PERFORMANCE RATINGS:

I _H RATED CURRENT	CURRENT RATINGS				TIME TO TRIP	INITIAL RESISTANCE VALUES		ONE-HOUR POST-TRIP RESISTANCE STANDARD TRIP	TRIPPED- STATE POWER DISSIPATION		
	AMPERES 20°C HOLD	AMPERES AT 0°C HOLD	AMPERES AT 20°C TRIP	AMPERES AT 60°C TRIP		SECONDS AT 20°C, 1.5A MAX	OHMS AT 20°C MIN			OHMS AT 20°C MAX	
.30	.36	.72	.30	.60	.20	.40	3.0	.88	1.33	2.10	.49

Recognitions:

UL, CSA and TUV approved.

Reference Documents:

Approved by UL as a current limiting impedance, per the 1996 NEC, Tables 11 (c) and 11 (b).
 PS300

Precedence:

This specification takes precedence over documents referenced herein.

Effectivity:

Reference documents shall be the issue in effect on the date of invitation for bid.

CAUTION:

Operation beyond the rated voltage or current may result in rupture, electrical arcing or flame.

