

SHINDENGEN

General Purpose Rectifiers

Single

S2V60

600V 1.7A

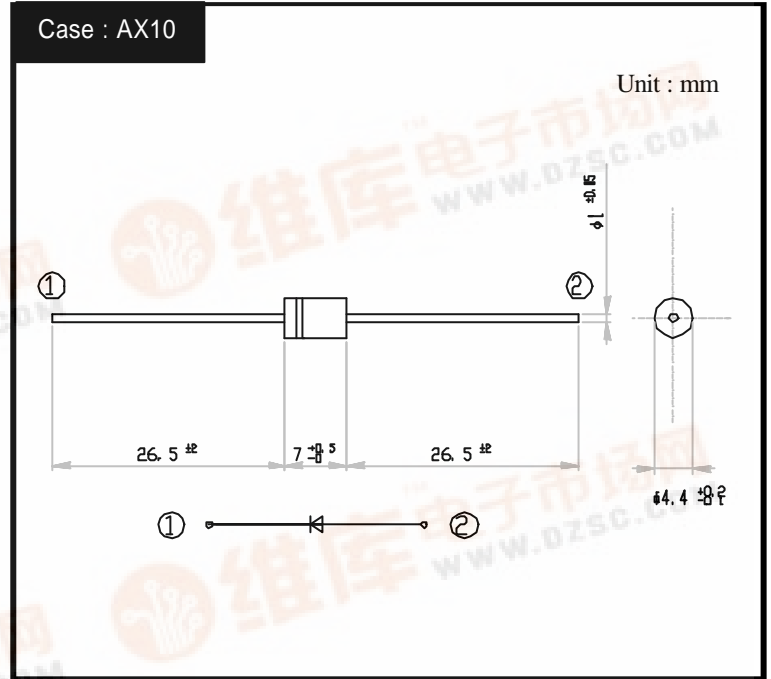
FEATURES

- High voltage
- High reliability with superior moisture resistance
- Applicable to Automatic Insertion

APPLICATION

- Conventional Rectification
- Power source(Power Supply)
- Home Appliances, Office Equipment
- Telecommunication, Factory Automation

OUTLINE DIMENSIONS



RATINGS

Absolute Maximum Ratings (If not specified Tl=25)

Item	Symbol	Conditions	Ratings	Unit
Storage Temperature	Tstg		-55 ~ 150	
Operating Junction Temperature	Tj		150	
Maximum Reverse Voltage	V _{RM}		600	V
Average Rectified Forward Current	I _O	50Hz sine wave, R-load, Ta=40	1.7	A
Peak Surge Forward Current	I _{FSM}	50Hz sine wave, Non-repetitive 1cycle peak value, Tj=25	60	A
Current Squared Time	I ² t	1ms t < 10ms Tj=25	20	A ² s

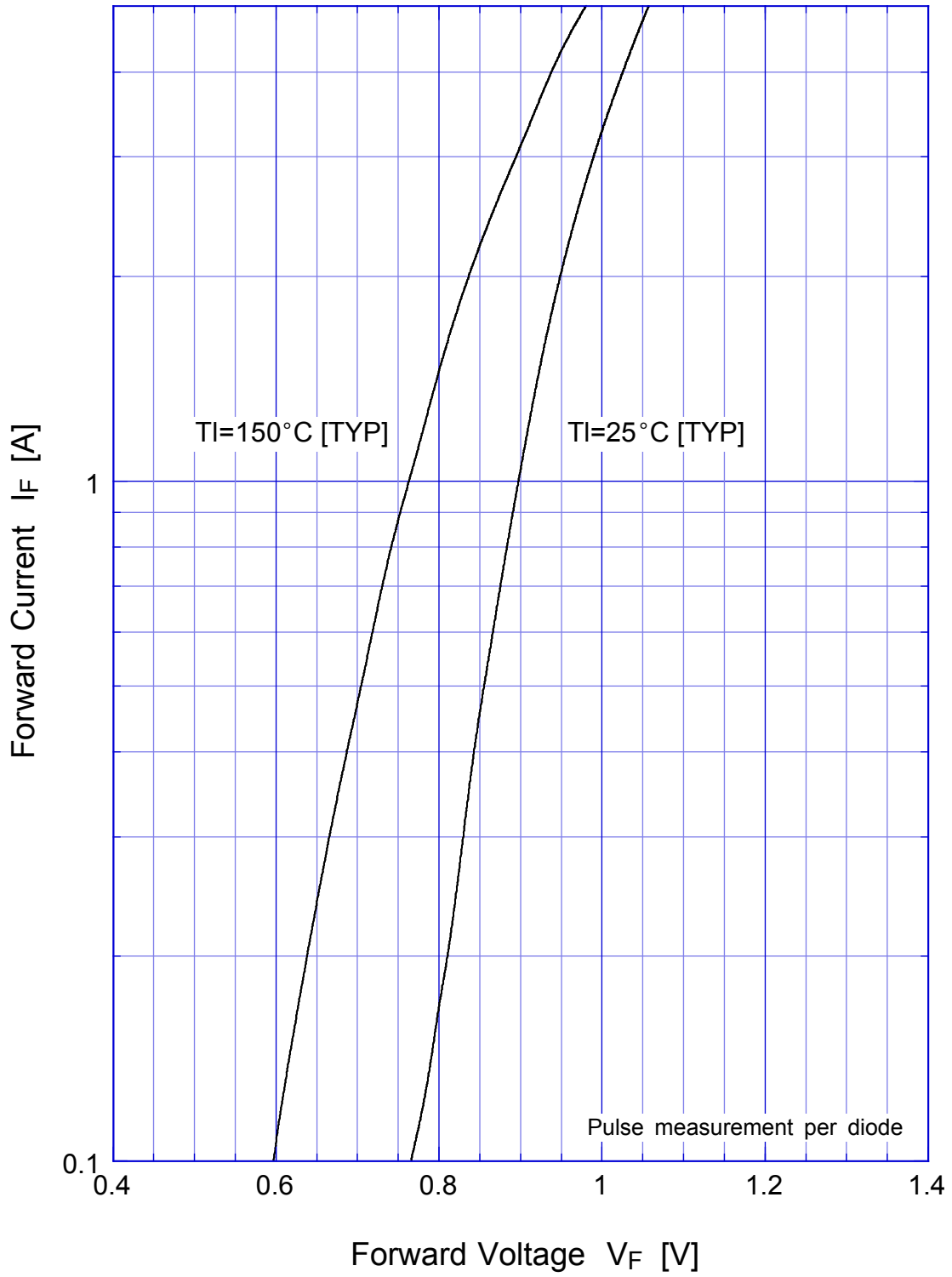
Electrical Characteristics (If not specified Tl=25)

Item	Symbol	Conditions	Ratings	Unit
Forward Voltage	V _F	I _F =1.7A, Pulse measurement	Max.1.05	V
Reverse Current	I _R	V _R =V _{RM} , Pulse measurement	Max.10	μA
Thermal Resistance	θl	junction to lead	Max.8	/W



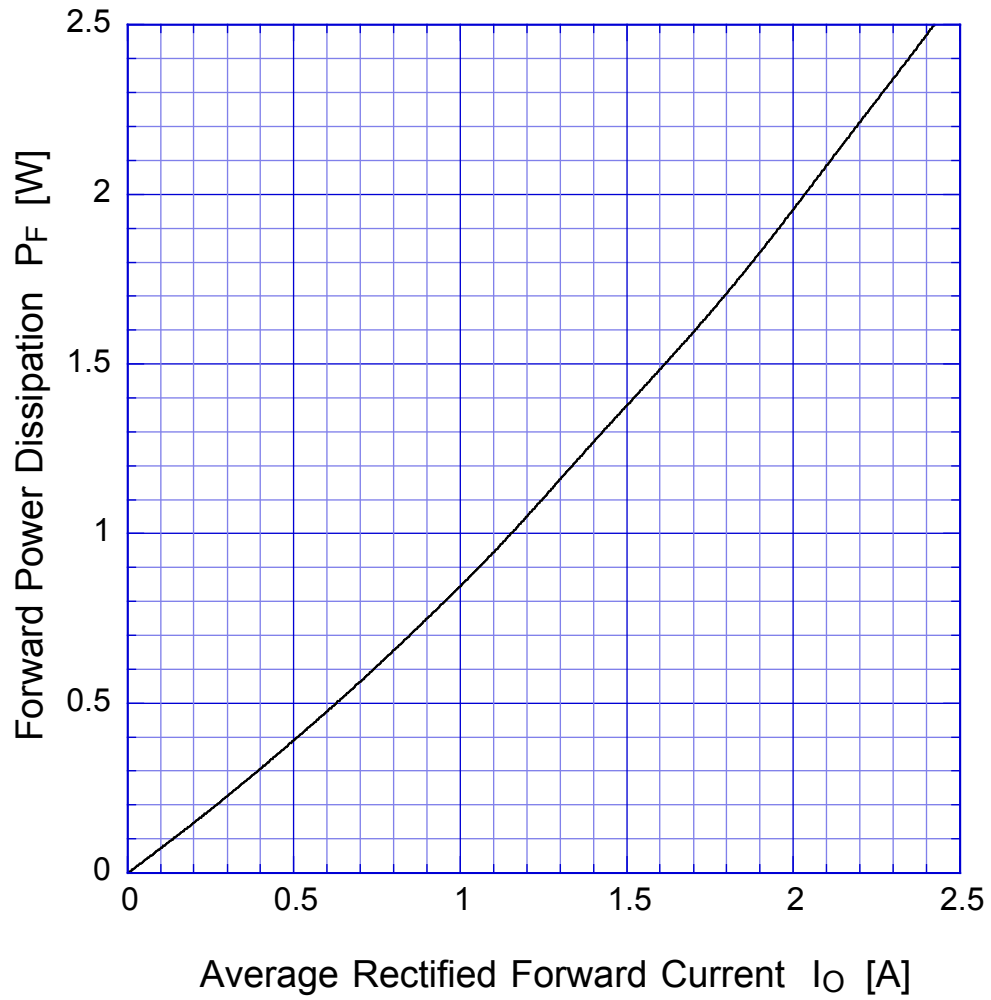
S2Vx

Forward Voltage



S2Vx

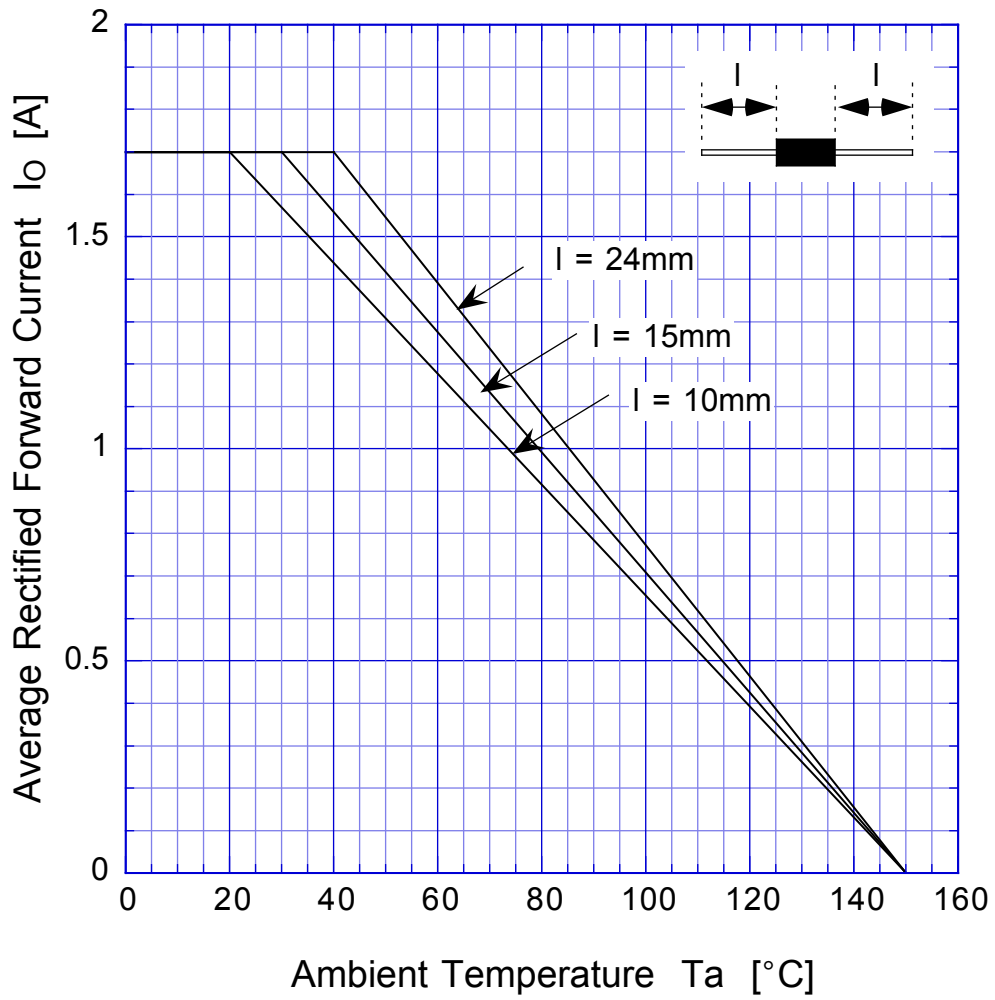
Forward Power Dissipation



$T_j = 150^\circ\text{C}$
Sine wave

S2Vx

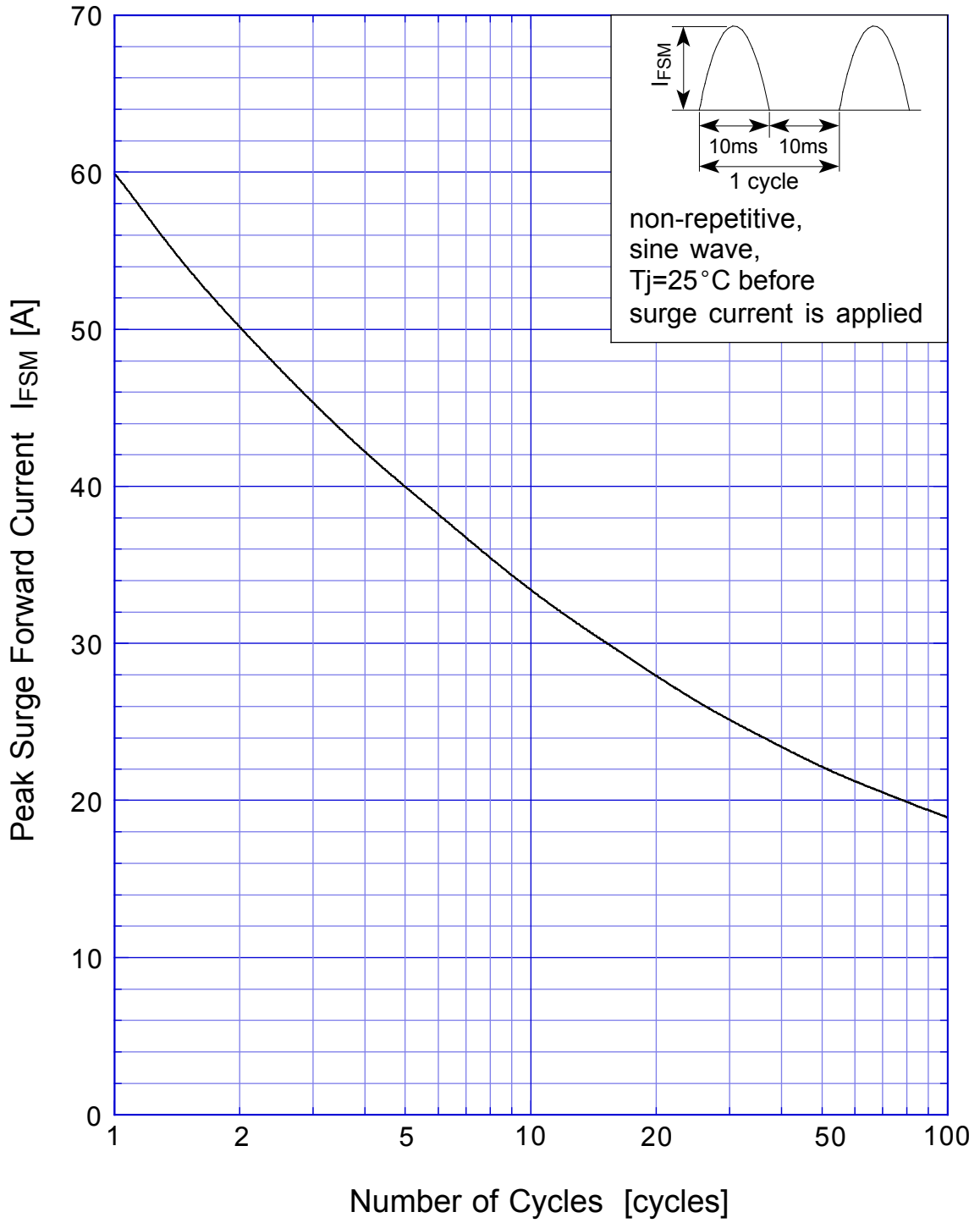
Derating Curve



Sine wave
R-load
Free in air

S2Vx

Peak Surge Forward Capability



S2Vx Transient Thermal Impedance

