

# SHINDENGEN

## Bridge Diode

Square In-line Package

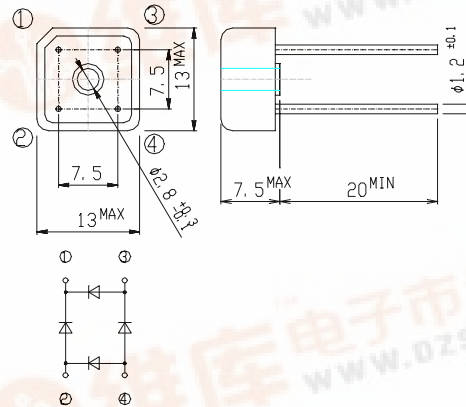
# S2VB20

## 200V 2A

### OUTLINE DIMENSIONS

Case : S2VB

Unit : mm



### RATINGS

● Absolute Maximum Ratings

Item	Symbol	Conditions	Ratings	Unit
Storage Temperature	T <sub>stg</sub>		-40~150	°C
Operating Junction Temperature	T <sub>j</sub>		150	°C
Maximum Reverse Voltage	V <sub>RM</sub>		200	V
Average Rectified Forward Current	I <sub>O</sub>	50Hz sine wave, R-load, Without heatsink, Ta=40°C	2	A
Peak Surge Forward Current	I <sub>FSM</sub>	50Hz sine wave, Non-repetitive 1cycle peak value, Tj=25°C	40	A
Current Squared Time	I <sup>2</sup> t	1ms ≤ t < 10ms Tc=25°C	6	A <sup>2</sup> s
Mounting Torque	TOR	(Recommended torque : 0.3N·m)	0.5	N·m

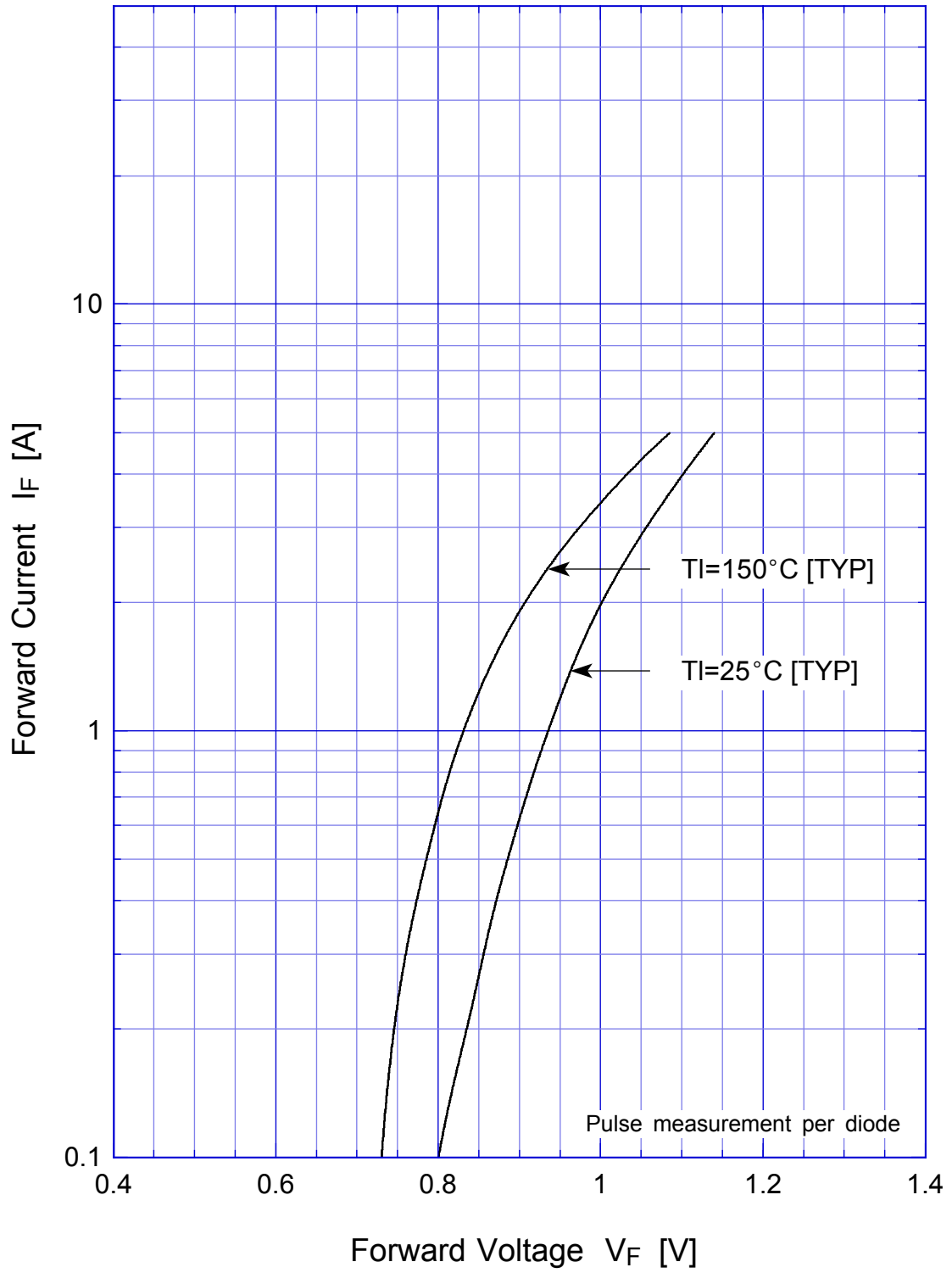
● Electrical Characteristics (Tl=25°C)

Item	Symbol	Conditions	Ratings	Unit
Forward Voltage	V <sub>F</sub>	I <sub>F</sub> =1A, Pulse measurement, Rating of per diode	Max.1.05	V
Reverse Current	I <sub>R</sub>	V <sub>R</sub> =V <sub>RM</sub> , Pulse measurement, Rating of per diode	Max.10	μA
Thermal Resistance	θ <sub>jl</sub>	junction to lead	Max.7	°C/W



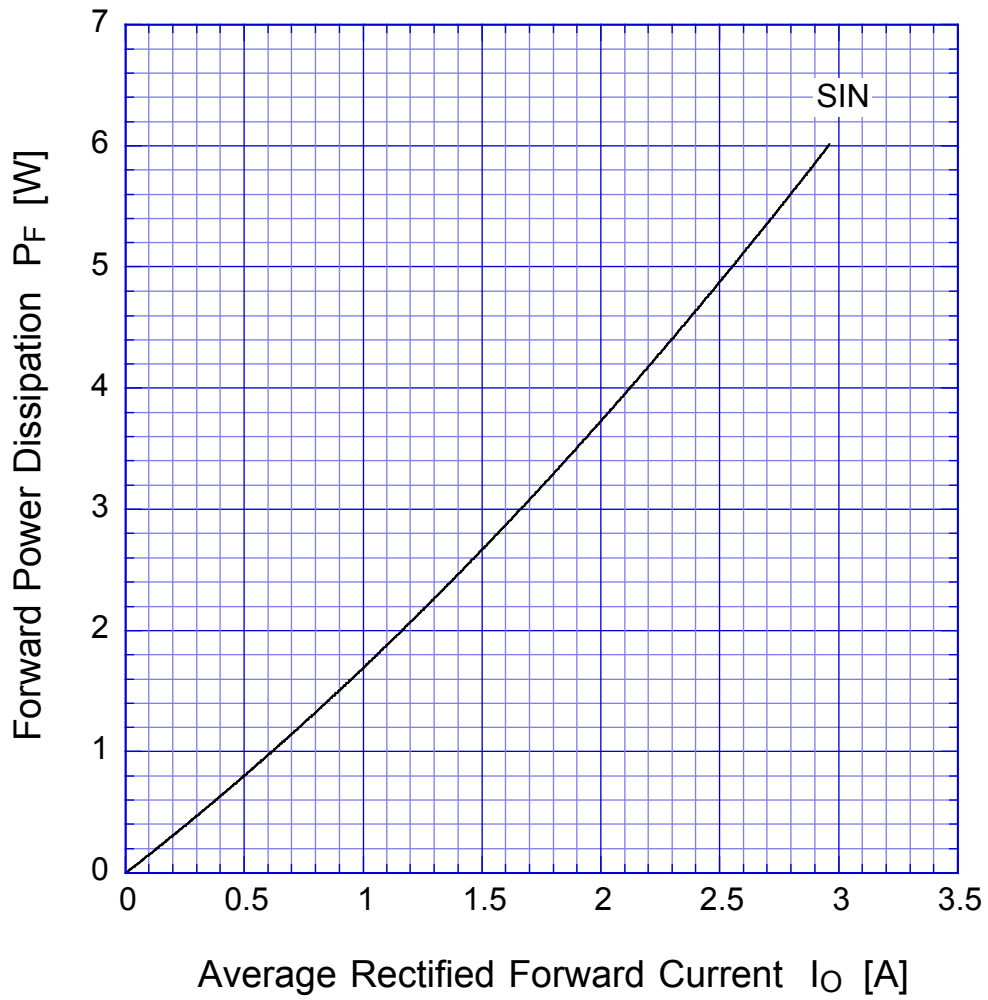
S2VBx

Forward Voltage



S2VBx

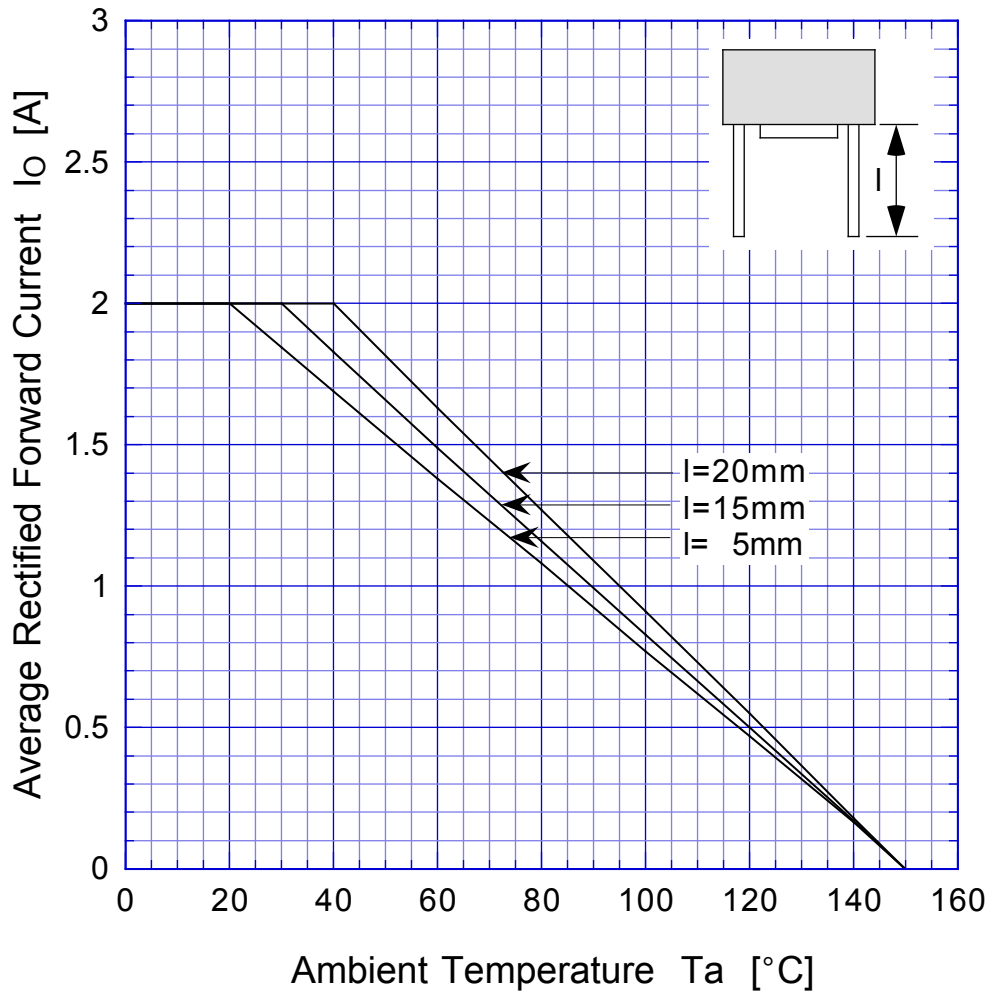
Forward Power Dissipation



$T_j = 150^\circ\text{C}$   
Sine wave

# S2VBx

# Derating Curve



Sine wave  
R-load  
Free in air

# S2VBx

## Peak Surge Forward Capability

