

# SHINDENGEN

## Super Fast Recovery Rectifiers

Single

# S3L60

## 600V 2.2A

### FEATURES

- High voltage super FRD
- Low noise
- trr50ns
- Applicable to Automatic Insertion

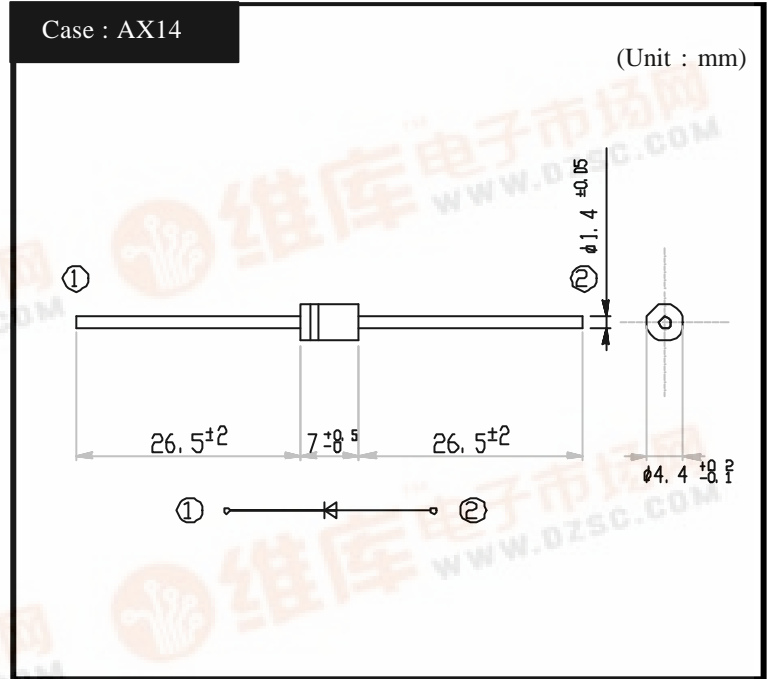
### APPLICATION

- PFC
- Switching power supply
- Free Wheel
- Home Appliances, Office Equipment

### OUTLINE DIMENSIONS

Case : AX14

(Unit : mm)



### RATINGS

Absolute Maximum Ratings (If not specified  $T_I=25$  )

Item	Symbol	Conditions	Ratings	Unit
Storage Temperature	$T_{stg}$		-55 ~ 150	
Operating Junction Temperature	$T_j$		150	
Maximum Reverse Voltage	$V_{RM}$		600	V
Average Rectified Forward Current	$I_o$	50Hz sine wave, R-load, $T_a=25$	1.8	A
		50Hz sine wave, R-load, $T_I=132$	2.2	
Peak Surge Forward Current	$I_{FSM}$	50Hz sine wave, Non-repetitive 1 cycle peak value, $T_j=25$	60	A

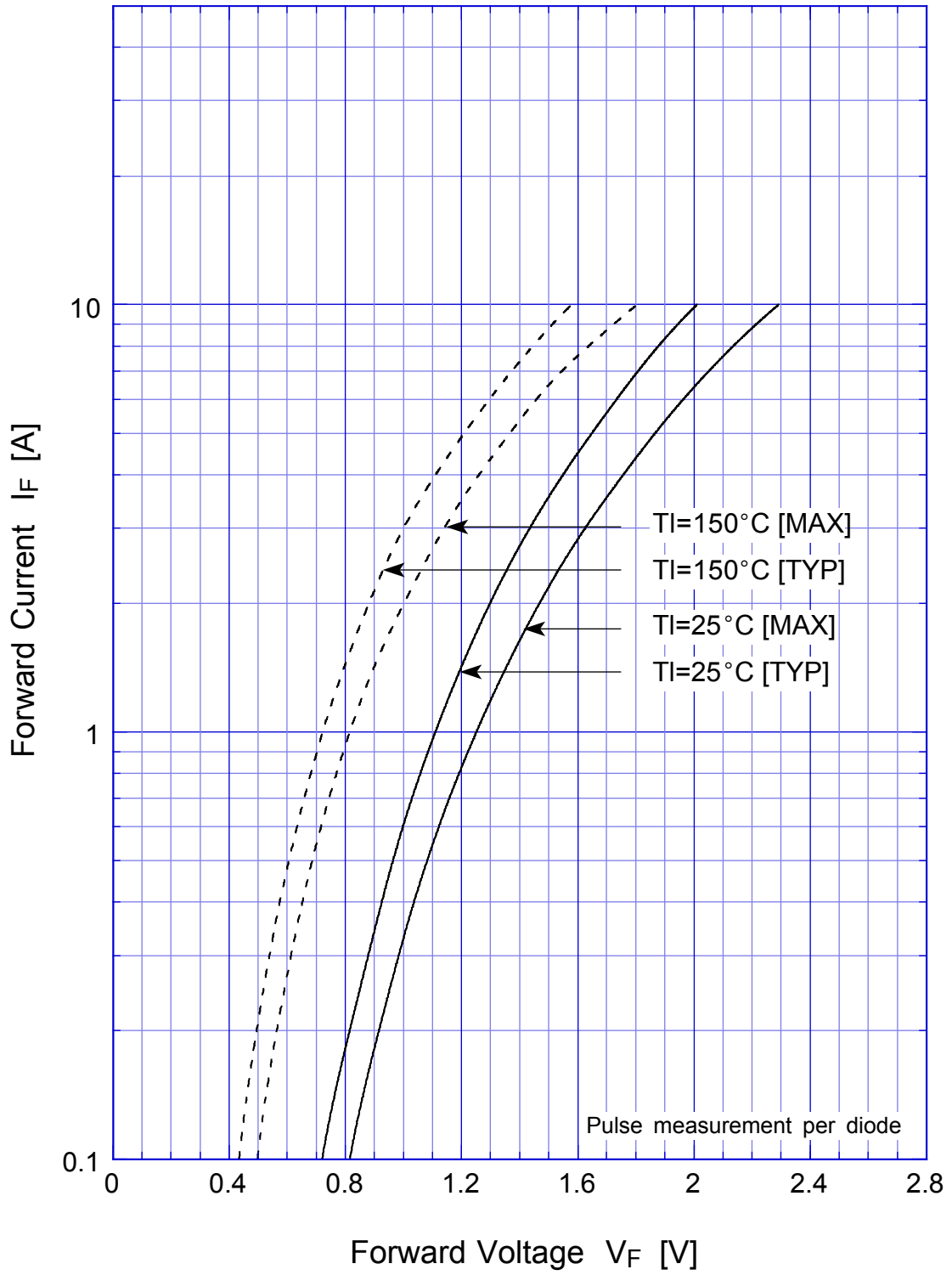
Electrical Characteristics (If not specified  $T_I=25$  )

Item	Symbol	Conditions	Ratings	Unit
Forward Voltage	$V_F$	$I_F=2.2A$ , Pulse measurement	Max.1.5	V
Reverse Current	$I_R$	$V_R=V_{RM}$ , Pulse measurement	Max.10	$\mu A$
Reverse Recovery Time	trr	$I_F=0.5A$ , $I_R=1A$	Max.50	ns
Thermal Resistance	$\theta_{jl}$	junction to lead	Max.6.5	/W
	$\theta_{ja}$	junction to ambient	Max.60	



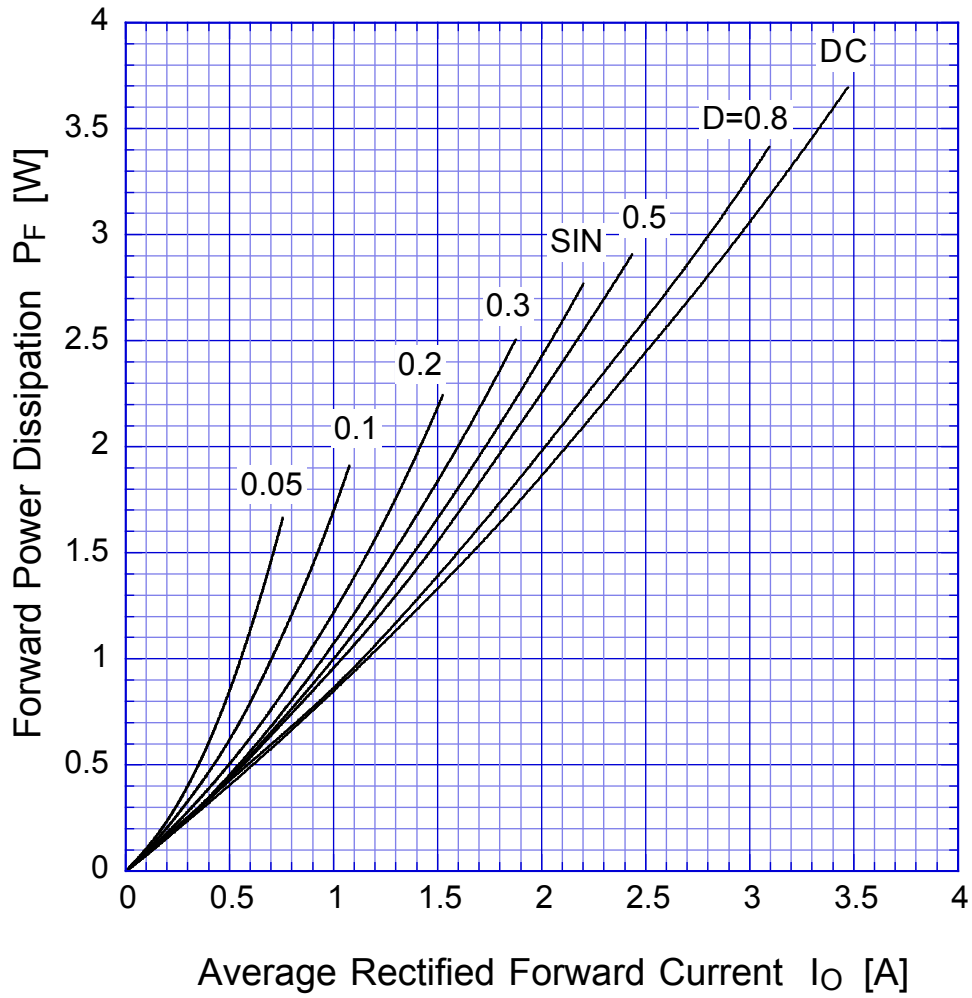
# S3L60

## Forward Voltage

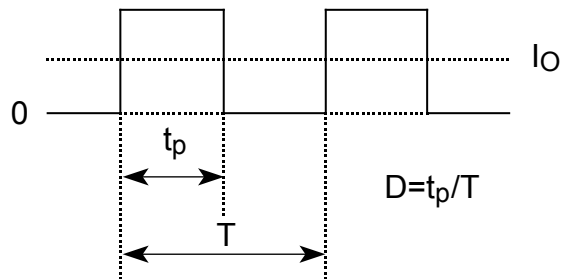


# S3L60

# Forward Power Dissipation

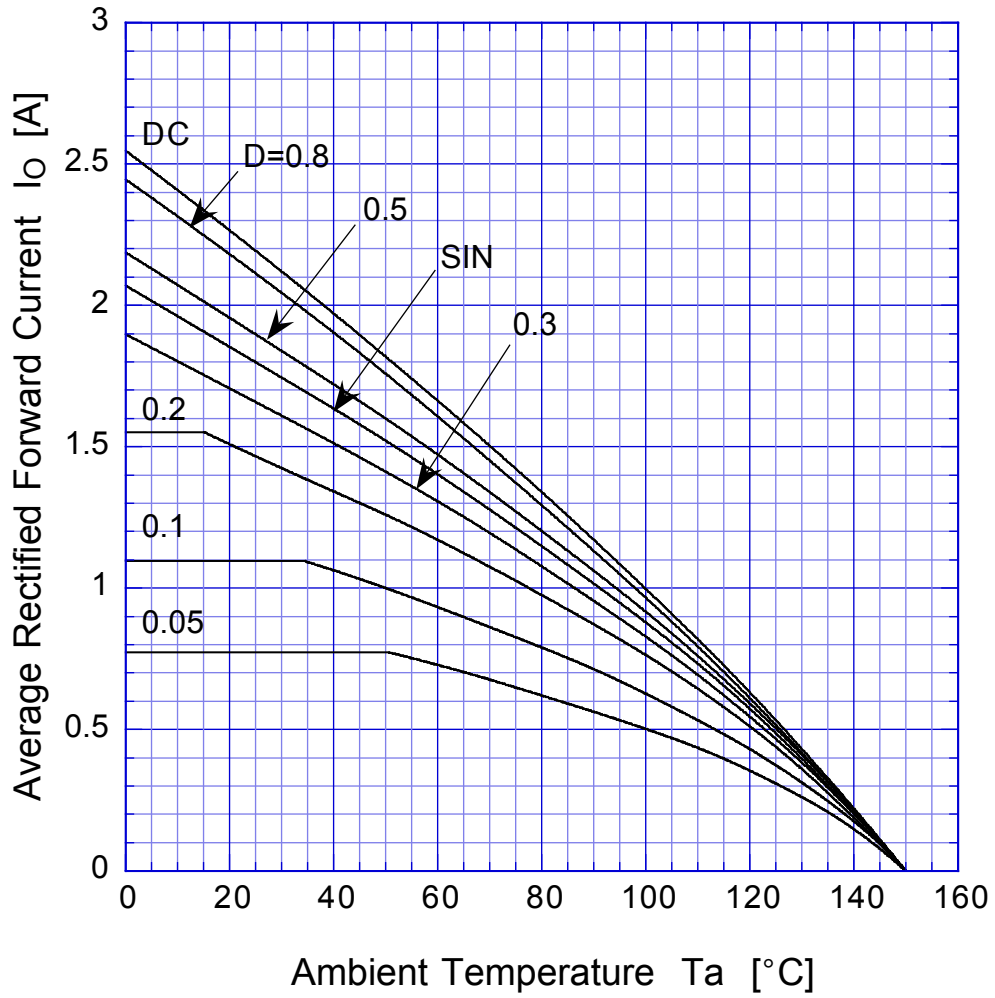


$T_j = T_{jmax}$

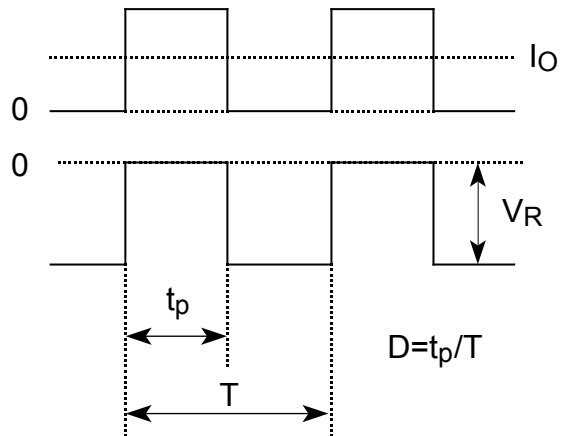


# S3L60

# Derating Curve

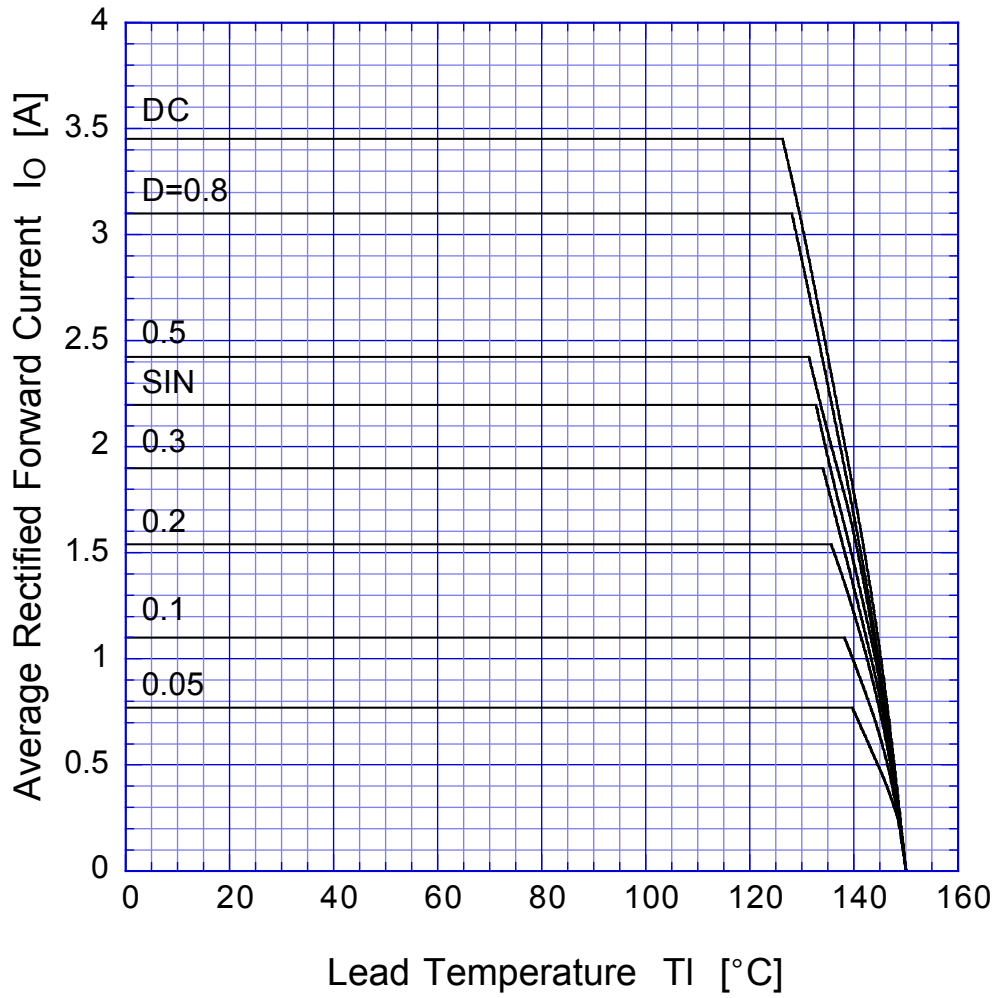


$$V_R = V_{RM}$$

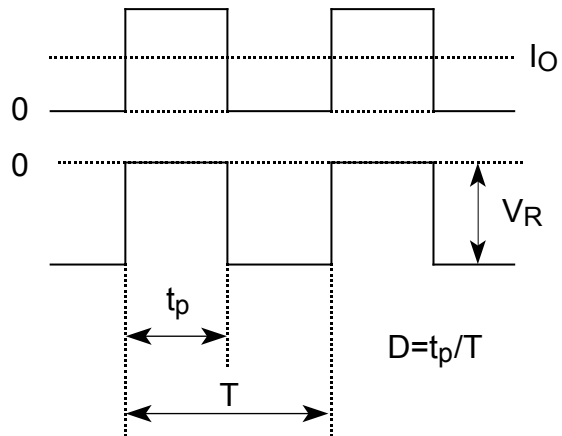


# S3L60

# Derating Curve

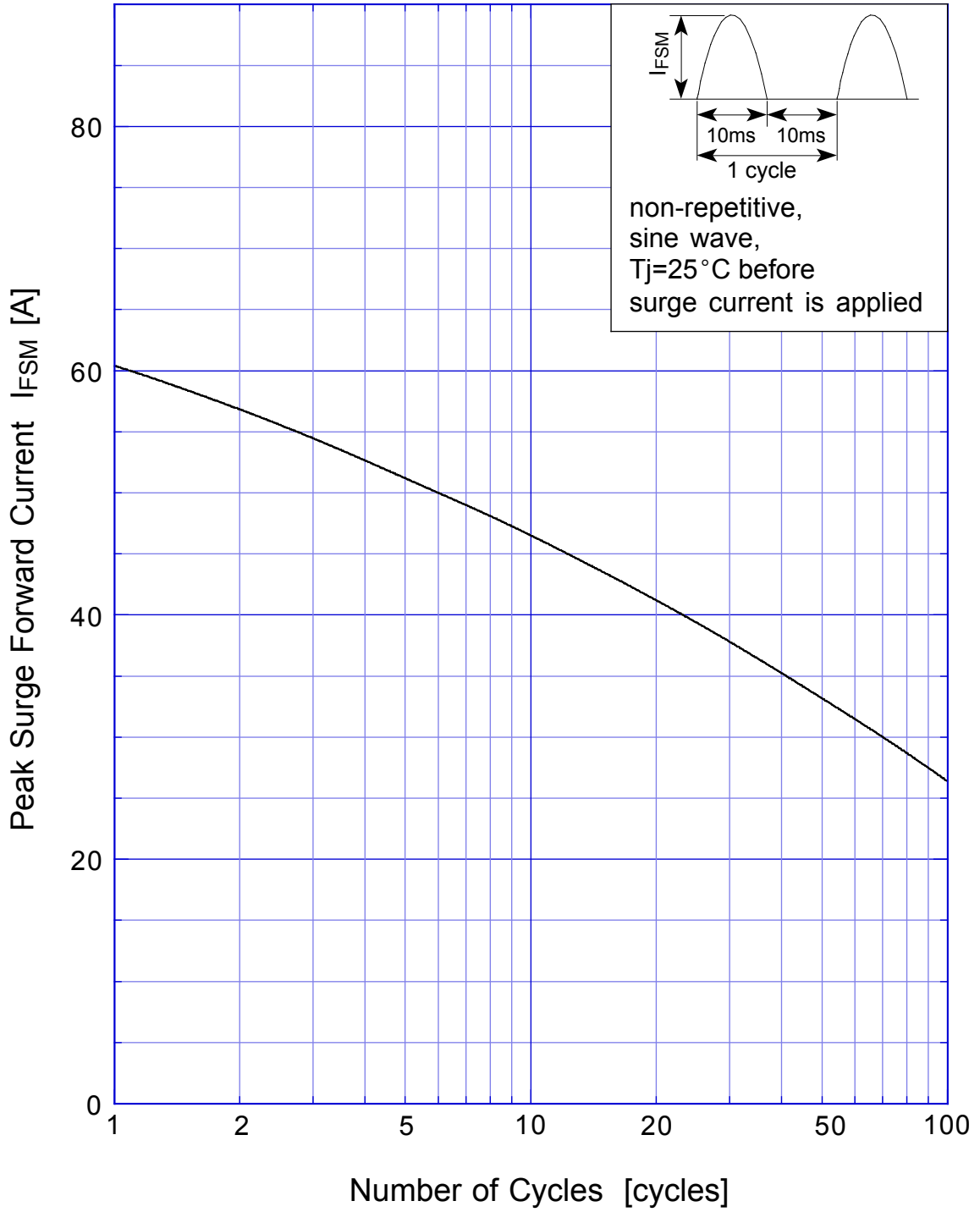


$$V_R = V_{RM}$$



# S3L60

## Peak Surge Forward Capability



# S3L60 Junction Capacitance

