

SHINDENGEN

Bridge Diode

Square In-line Package

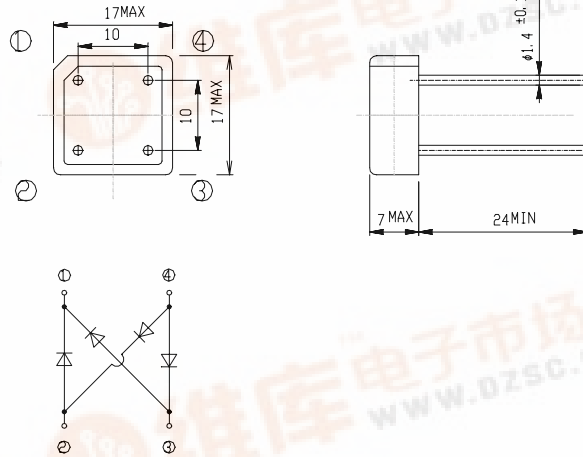
S3WB60

600V 2.3A

OUTLINE DIMENSIONS

Case : S3WB

Unit : mm



RATINGS

● Absolute Maximum Ratings

Item	Symbol	Conditions	Ratings	Unit
Storage Temperature	T_{stg}		-40~150	°C
Operating Junction Temperature	T_j		150	°C
Maximum Reverse Voltage	V_{RM}		600	V
Average Rectified Forward Current	I_O	50Hz sine wave, R-load, On glass-epoxy substrate, $T_a=40^{\circ}C$	2.3	A
Peak Surge Forward Current	I_{FSM}	50Hz sine wave, Non-repetitive 1cycle peak value, $T_j=25^{\circ}C$	120	A
Current Squared Time	I^2t	$1ms \leq t < 10ms$ $T_c=25^{\circ}C$	60	A^2s

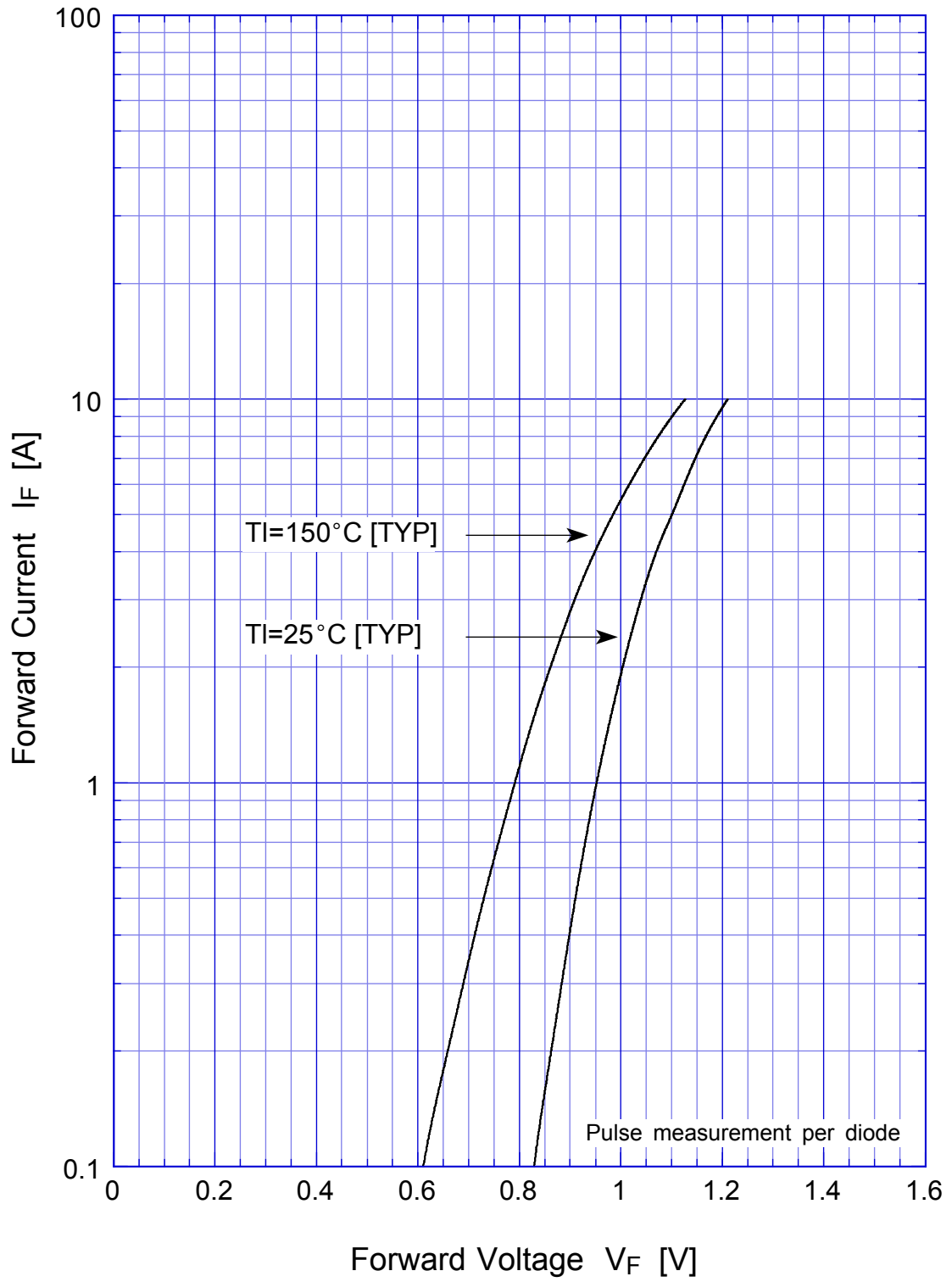
● Electrical Characteristics (TI=25°C)

Item	Symbol	Conditions	Ratings	Unit
Forward Voltage	V_F	$I_F=2A$, Pulse measurement, Rating of per diode	Max.1.05	V
Reverse Current	I_R	$V_R=V_{RM}$, Pulse measurement, Rating of per diode	Max.10	μA
Thermal Resistance	θ_{jl}	junction to lead	Max.5.5	°C/W
	θ_{ja}	junction to ambient	Max.26.5	



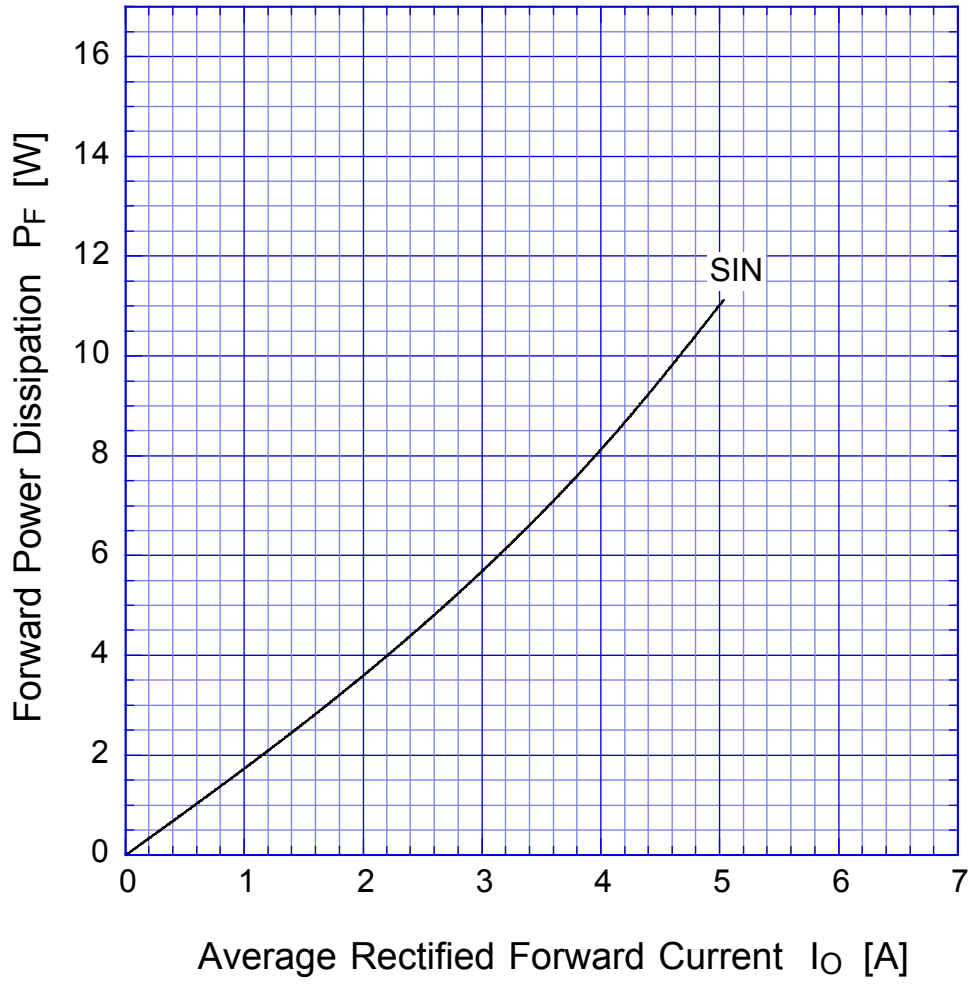
S3WBx

Forward Voltage



S3WBx

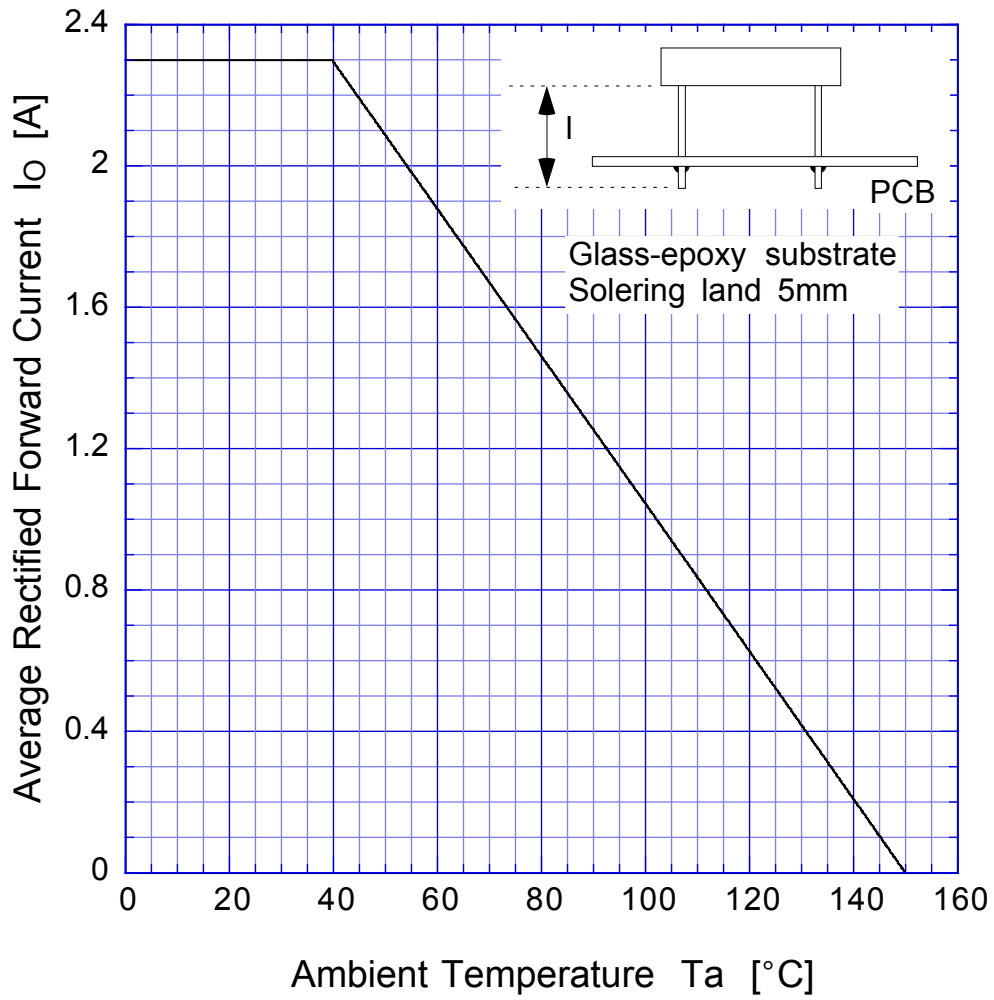
Forward Power Dissipation



$T_j = 150^\circ\text{C}$
Sine wave

S3WBx

Derating Curve



Sine wave
R-load
Free in air

S3WBx

Peak Surge Forward Capability

