

MAXIM

Voltage Detectors

MAX6806/MAX6807/MAX6808

General Description

The MAX6806/MAX6807/MAX6808 precision voltage detectors are ideal for accurate monitoring of power supplies in digital systems. They provide circuit reliability and reduce total cost by eliminating external components and adjustments.

The MAX6806/MAX6807/MAX6808 assert a reset signal whenever the supply voltage (V_{CC}) falls below the factory-preset, $\pm 2\%$ accurate threshold. Internal hysteresis ensures stable switching. The MAX6806/MAX6807/MAX6808 are available in 4.6V and 2.6V thresholds (2.3V is also available for the MAX6806 only). The MAX6806 features an active-low, push-pull $\overline{\text{RESET}}$ output; the MAX6807 features an active-high, push-pull $\overline{\text{RESET}}$ output; and the MAX6808 features an active-low, open-drain $\overline{\text{RESET}}$ output. $\overline{\text{RESET}}$ is valid for V_{CC} down to 1V (MAX6806/MAX6808), and $\overline{\text{RESET}}$ (MAX6807) is guaranteed for V_{CC} down to 1.2V.

The MAX6806/MAX6807/MAX6808 are available in 3-pin SC70, 3-pin SOT23, and 4-pin SOT143 packages. The SOT143 package includes a manual-reset input.

Applications

- Computers
- Controllers
- Intelligent Instruments
- Critical μP and μC Power Monitoring
- Portable/Battery-Powered Equipment
- Automotive
- Bar-Code Scanners

Typical Operating Circuit and Pin Configurations appear at end of data sheet.

Features

- ◆ **Preset Reset Thresholds: 4.6V and 2.6V (2.3V also available for MAX6806 only)**
- ◆ **$\pm 2\%$ Accurate Reset Thresholds**
- ◆ **Reset Output Available in Active-Low (MAX6806), Active-High (MAX6807), and Open-Drain (MAX6808) Versions**
- ◆ **Immune to Power-Supply Transients**
- ◆ **$\overline{\text{RESET}}$ Valid to $V_{CC} = 1.0\text{V}$ (MAX6806/MAX6808)**
- ◆ **35 μA Supply Current**
- ◆ **No External Components**
- ◆ **Manual Reset Available with 4-Pin SOT143 Package**
- ◆ **Miniature 3-Pin SC70, 3-Pin SOT23, and 4-Pin SOT143 Packages**

Ordering Information

PART	TEMP. RANGE	PIN-PACKAGE
MAX6806 XR__-T	-40°C to +85°C	3 SC70
MAX6806UR__-T	-40°C to +85°C	3 SOT23
MAX6806US__-T	-40°C to +85°C	4 SOT143
MAX6807 XR__-T	-40°C to +85°C	3 SC70
MAX6807UR__-T	-40°C to +85°C	3 SOT23
MAX6807US__-T	-40°C to +85°C	4 SOT143
MAX6808 XR__-T	-40°C to +85°C	3 SC70
MAX6808UR__-T	-40°C to +85°C	3 SOT23
MAX6808US__-T	-40°C to +85°C	4 SOT143

* All devices available in tape-and-reel only, 2500 piece minimum order quantity.

Note: Insert the desired number from the Selector Guide into the blank to complete the part number. Also see Selector Guide for top mark.

Selector Guide

PART	RESET OUTPUT	TOP MARK	NOMINAL V_{TH} - (V) [†]
MAX6806 UR46-T	Active-Low, Push-Pull	FZDP	4.6
MAX6806UR26-T		FZDQ	2.6
MAX6806UR23-T		FZDR	2.3
MAX6806US46-T		KABT	4.6
MAX6806US26-T		KABU	2.6
MAX6806US23-T		KABV	2.3

[†] Other reset thresholds may be available. Contact factory for availability.

Selector Guide continued at end of data sheet.



Maxim Integrated Products 1

For free samples & the latest literature: <http://www.maxim-ic.com>, or phone 1-800-998-8800. For small orders, phone 1-800-835-8769.

Voltage Detectors

ABSOLUTE MAXIMUM RATINGS

V _{CC} to GND	-0.3V to +6.0V	Rate of Rise, V _{CC}	100V/μs
RESET, $\overline{\text{RESET}}$ to GND		Continuous Power Dissipation (T _A = +70°C)	
(MAX6806/MAX6807)	-0.3V to (V _{CC} + 0.3V)	SOT23, SOT143 (derate 4mW/°C above +70°C)	320mW
$\overline{\text{RESET}}$ to GND (MAX6808)	-0.3V to +6.0V	SC70 (derate 2.17mW/°C above +70°C)	174mW
MR to GND (SOT143 package only)	-0.3V to +6.0V	Operating Temperature Range	-40°C to +85°C
Input Current, V _{CC}	±20mA	Storage Temperature Range	-65°C to +160°C
Output Current, RESET, $\overline{\text{RESET}}$	±20mA	Lead Temperature (soldering, 10sec)	+300°C

Stresses beyond those listed under "Absolute Maximum Ratings" may cause permanent damage to the device. These are stress ratings only, and functional operation of the device at these or any other conditions beyond those indicated in the operational sections of the specifications is not implied. Exposure to absolute maximum rating conditions for extended periods may affect device reliability.

ELECTRICAL CHARACTERISTICS

(V_{CC} = +5V, T_A = -40°C to +85°C, unless otherwise noted. Typical values are at T_A = +25°C.) (Note 1)

PARAMETER	SYMBOL	CONDITIONS	MIN	TYP	MAX	UNITS	
Supply Voltage Range	V _{CC}	T _A = 0°C to +70°C	1.0		5.5	V	
		T _A = -40°C to +85°C	1.2		5.5		
Supply Current	I _{CC}	V _{CC} = +3.6V, no load		35	60	μA	
		V _{CC} = +5.5V, no load		50	80		
Reset Threshold	V _{TH-}	T _A = +25°C, V _{CC} falling	MAX680__46	4.508	4.60	4.692	V
			MAX680__26	2.548	2.60	2.652	
			MAX680__23	2.254	2.30	2.346	
Reset Threshold Hysteresis	V _{HYST}	T _A = +25°C, Figure 2		0.02 V _{TH-}	0.03 V _{TH-}	V	
$\overline{\text{RESET}}$ Output Voltage (MAX6806/MAX6808)	V _{OL}	I _{SINK} = 20μA, V _{CC} = 1.0V			0.3	V	
		I _{SINK} = 1.0mA, V _{CC} = 2.0V			0.4		
	V _{OH}	I _{SOURCE} = 2.0mA, V _{CC} = 5.0V (MAX6806 only)	0.8V _{CC}				
$\overline{\text{RESET}}$ Output Leakage Current	I _{OH}	V _{CC} = 5.5V, $\overline{\text{RESET}}$ deasserted (MAX6808 only)				μA	
RESET Output Voltage (MAX6807)	V _{OH}	I _{SOURCE} = 20μA, V _{CC} = 1.2V	0.8V _{CC}			V	
		I _{SOURCE} = 400μA, V _{CC} = 2.0V	0.8V _{CC}				
	V _{OL}	I _{SINK} = 3.2mA, V _{CC} = 5.0V			0.4		
V _{CC} to Reset Delay (Note 2)		V _{CC} falling at 1mV/μs		30		μs	
Reset Threshold Tempco				30		ppm/°C	
MR Pull-Down Resistance	R _{MR}		40	80	120	kΩ	
MR Input Threshold	V _{IL}	V _{CC} > V _{TH+}			0.6	V	
	V _{IH}		0.7V _{CC}				

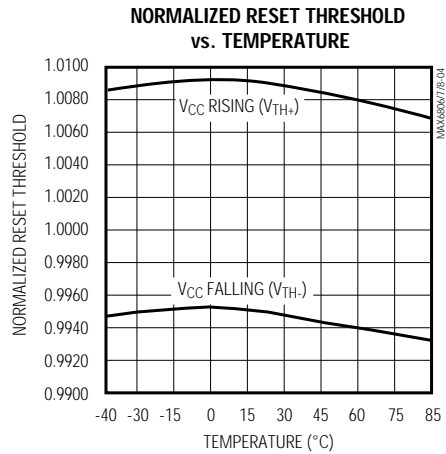
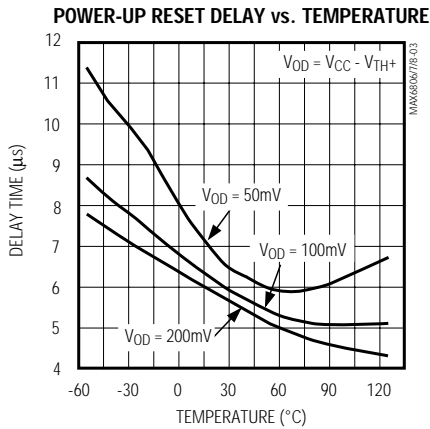
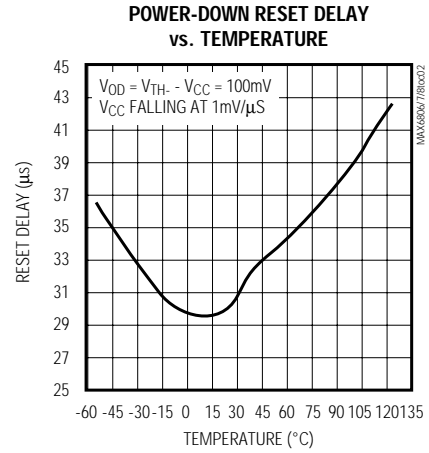
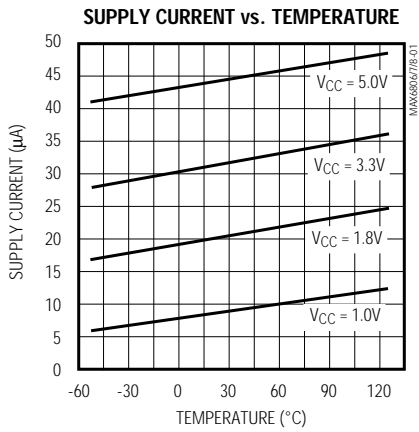
Note1: All devices are 100% production tested at T_A = +25°C, and are guaranteed by design for T_A = T_{MIN} to T_{MAX}, as specified.

Note 2: $\overline{\text{RESET}}$ output for MAX6806/MAX6808, RESET output for MAX6807.

Voltage Detectors

Typical Operating Characteristics

($T_A = +25^\circ\text{C}$, unless otherwise noted.)



Pin Description

PIN		NAME	FUNCTION
SOT23/SC70	SOT143		
1	1	$\overline{\text{RESET}}$	Active-Low Reset Output (MAX6806/MAX6808). $\overline{\text{RESET}}$ remains low while V_{CC} is below the reset-threshold voltage or while MR is held high.
		RESET	Active-High Reset Output (MAX6807). RESET remains high while V_{CC} is below the reset-threshold voltage or while MR is held high.
2	4	GND	Ground
3	3	V _{CC}	Supply Voltage Input
—	2	MR	Active-High Manual Reset Input. Internal $80\text{k}\Omega$ resistor to GND.

Voltage Detectors

Detailed Description

Reset Output

The MAX6806 voltage detector features an active-low, push-pull $\overline{\text{RESET}}$ output, while the MAX6807 features an active-high, push-pull RESET output. Unlike micro-processor (μP) supervisory circuits that offer a reset timeout period, the MAX6806 and MAX6807 $\overline{\text{RESET}}$ goes high and RESET goes low virtually immediately once V_{CC} exceeds the reset threshold. If a brownout occurs (V_{CC} falls below the reset threshold), $\overline{\text{RESET}}$ goes low and RESET goes high. $\overline{\text{RESET}}$ is guaranteed to be a logic low for $V_{\text{CC}} \geq 1\text{V}$ and RESET is guaranteed to be a logic high for $V_{\text{CC}} \geq 1.2\text{V}$.

The MAX6808 features an active-low, open-drain $\overline{\text{RESET}}$ output. The output sinks current when V_{CC} falls below the reset threshold. Connect a pull-up resistor from $\overline{\text{RESET}}$ to any supply voltage up to 6V (Figure 1). Select a resistor value large enough to provide a logic low and small enough to provide a logic high while supplying all input and leakage currents connected to the $\overline{\text{RESET}}$ line. A 100k Ω resistor is sufficient in applications driving high-impedance loads.

The manual reset input (MR, 4-pin SOT143 package) can also initiate a reset (see *Manual Reset Input* section).

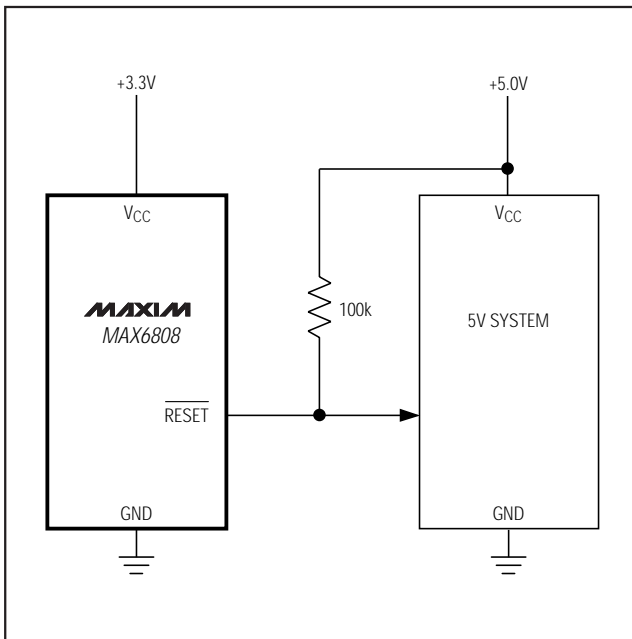


Figure 1. The MAX6808 open-drain $\overline{\text{RESET}}$ output allows use with multiple supplies.

Manual Reset Input

Many applications require manual-reset capabilities, allowing an operator, a test technician, or external logic circuitry to initiate a reset. A logic high on MR asserts a reset and remains asserted while MR is high. This input has an 80k Ω pull-down resistor, so the input may be left unconnected if not used. Connect a normally open momentary switch from MR to V_{CC} to create a manual-reset function. If MR is driven from long cables or if the device is used in a noisy environment, connecting a 0.1 μF capacitor from MR to ground provides noise immunity.

Hysteresis

The MAX6806/MAX6807/MAX6808 feature internal hysteresis that creates two trip points: one for the rising supply voltage and one for the falling supply voltage (Figure 2). The hysteresis prevents the output from oscillating (chattering) when V_{CC} is near the reset threshold.

Reset Threshold Accuracy

The MAX6806/MAX6807/MAX6808 are ideal for systems using a 5V $\pm 5\%$, 3V $\pm 5\%$, or 2.5V $\pm 5\%$ power supply with ICs specified for 5V $\pm 10\%$, 3V $\pm 10\%$, or 2.5V $\pm 10\%$, respectively. The reset is guaranteed to assert after the power supply falls out of regulation, but before power drops below the minimum specified operating voltage range for the system ICs.

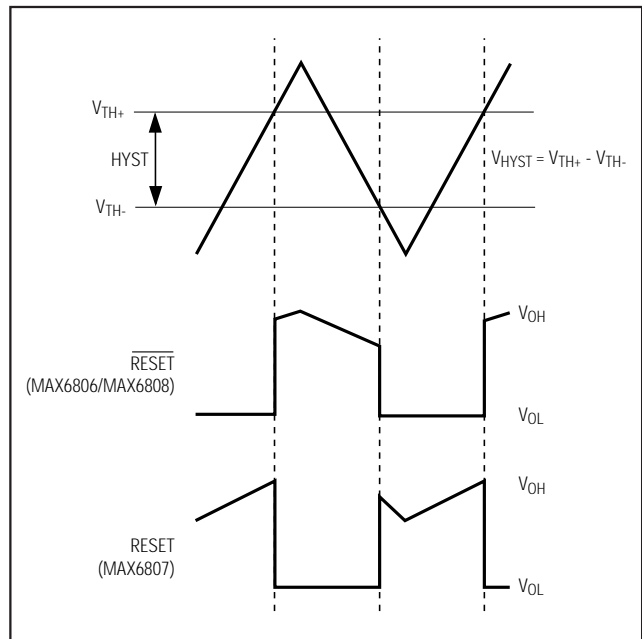


Figure 2. Input and Output Waveforms with V_{CC} Varied

Voltage Detectors

Applications Information

Negative-Going VCC Transients

In addition to asserting a reset signal during power-up, power-down, and brown-out conditions, the MAX6806/MAX6807/MAX6808 are immune to short-duration, negative-going VCC transients.

Figure 3 displays typical transient durations vs. reset-comparator overdrive for which the MAX6806/MAX6807/MAX6808 do **not** generate a reset pulse. The graph was generated using a negative-going pulse applied to VCC, starting 0.5V above the actual reset threshold and ending below it by the magnitude indicated (reset-comparator overdrive). The graph indicates the maximum pulse width a negative-going VCC transient can have without causing a reset pulse. As the magnitude of the transient increases (goes further below the reset threshold), the maximum allowable pulse width decreases. A 0.1μF capacitor mounted as close as possible to VCC provides additional transient immunity.

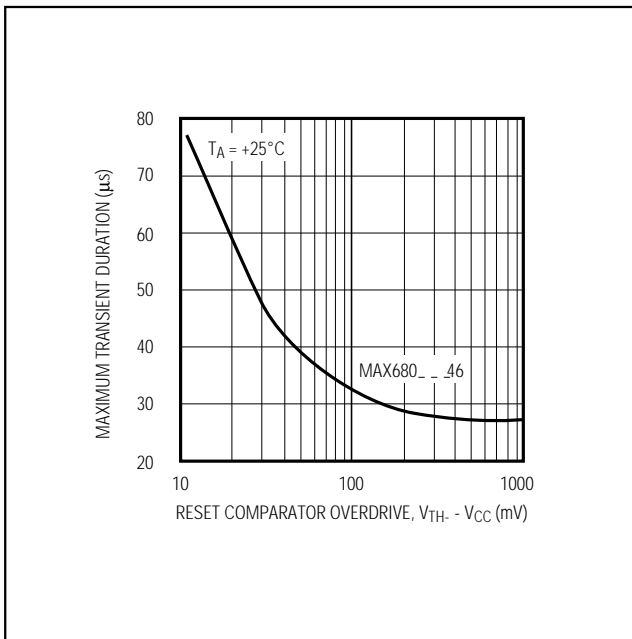


Figure 3. Maximum Transient Duration without Causing a Reset Pulse vs. Reset Comparator Overdrive

Ensuring a Valid Reset Output Down to VCC = Ground

When VCC falls below 1V, the MAX6806/MAX6808 $\overline{\text{RESET}}$ output no longer sinks current—it becomes an open circuit. Therefore, high-impedance CMOS logic inputs connected to $\overline{\text{RESET}}$ can drift to undetermined voltages. This presents no problem in most applications, since most circuitry is inoperative when VCC is below 1V. In applications where $\overline{\text{RESET}}$ must be valid down to ground, add a pull-down resistor to $\overline{\text{RESET}}$ so any stray leakage currents flow to ground, holding $\overline{\text{RESET}}$ low (Figure 4). Select R1 to be large enough not to load $\overline{\text{RESET}}$ and small enough to pull $\overline{\text{RESET}}$ to ground. For most applications, 100kΩ will not load $\overline{\text{RESET}}$ and will pull $\overline{\text{RESET}}$ to ground. Similarly, if RESET (MAX6807) must be valid below 1.2V, add a pull-up resistor to RESET.

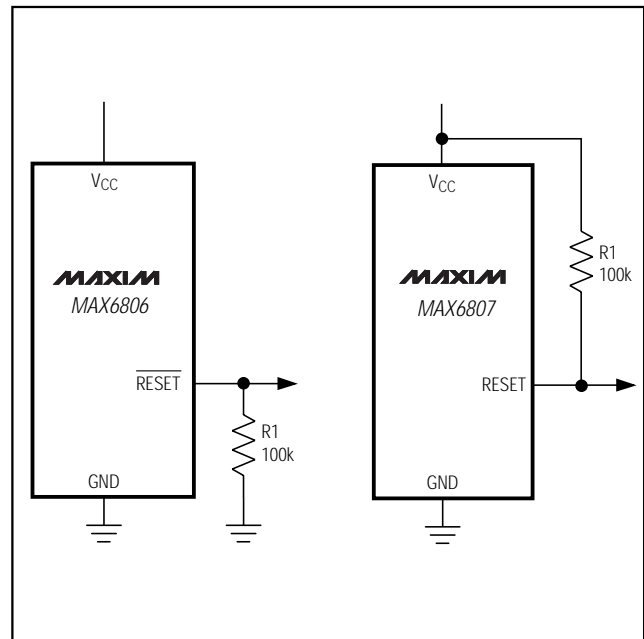


Figure 4. $\overline{\text{RESET}}$ / RESET Valid to VCC = Ground Circuit

Voltage Detectors

Interfacing to μ Ps with Bidirectional Reset Pins

μ Ps with bidirectional reset pins (such as the Motorola 68HC11 series) can contend with push-pull $\overline{\text{RESET}}$ outputs, resulting in indeterminate logic levels. Use the MAX6808 with the open-drain $\overline{\text{RESET}}$ when interfacing to this type of controller.

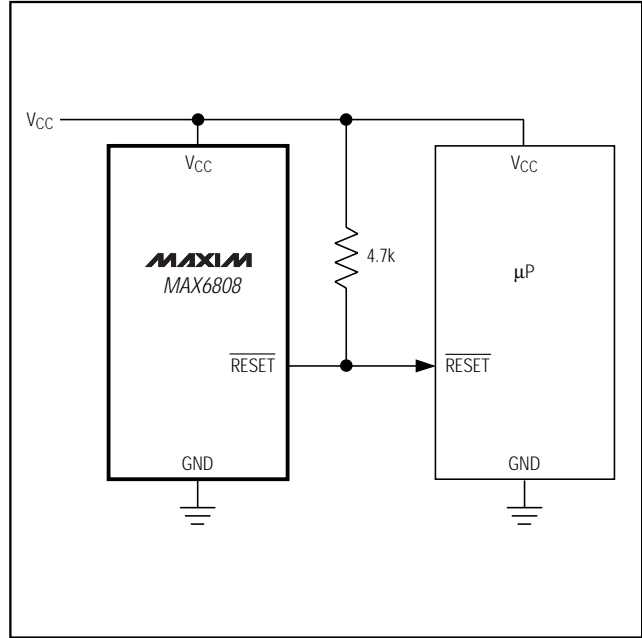


Figure 5. Interfacing to μ Ps with Bidirectional Reset I/O

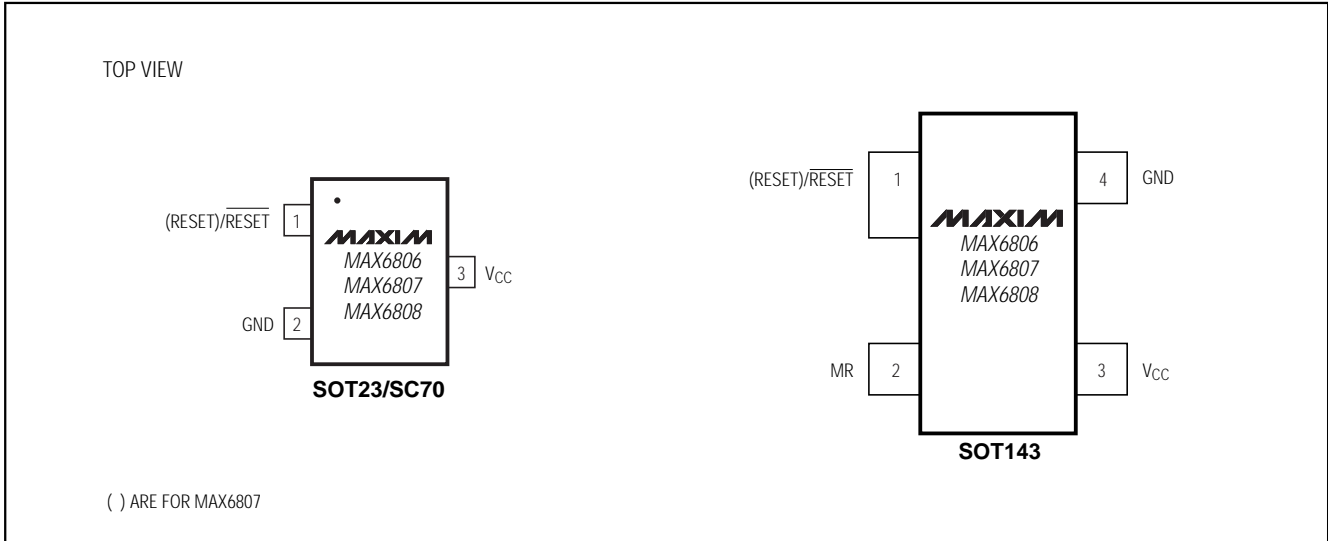
Selector Guide (continued)

PART*	RESET OUTPUT	TOP MARK	NOMINAL V_{TH} - (V) [†]
MAX6806XR46-T	Active-Low, Push-Pull	AAA	4.6
MAX6806XR26-T		AAB	2.6
MAX6806XR23-T		AAC	2.3
MAX6807 UR46-T	Active-High, Push-Pull	FZDS	4.6
MAX6807UR26-T		FZDT	2.6
MAX6807US46-T		KABW	4.6
MAX6807US26-T		KABX	2.6
MAX6807XR46-T		AAD	4.6
MAX6807XR26-T		AAE	2.6
MAX6808 UR46-T	Active-Low, Open-Drain	FZDU	4.6
MAX6808UR26-T		FZDV	2.6
MAX6808US46-T		KABY	4.6
MAX6808US26-T		KABZ	2.6
MAX6808XR46-T		AAF	4.6
MAX6808XR26-T		AAG	2.6

† Other reset thresholds may be available. Contact factory for availability.

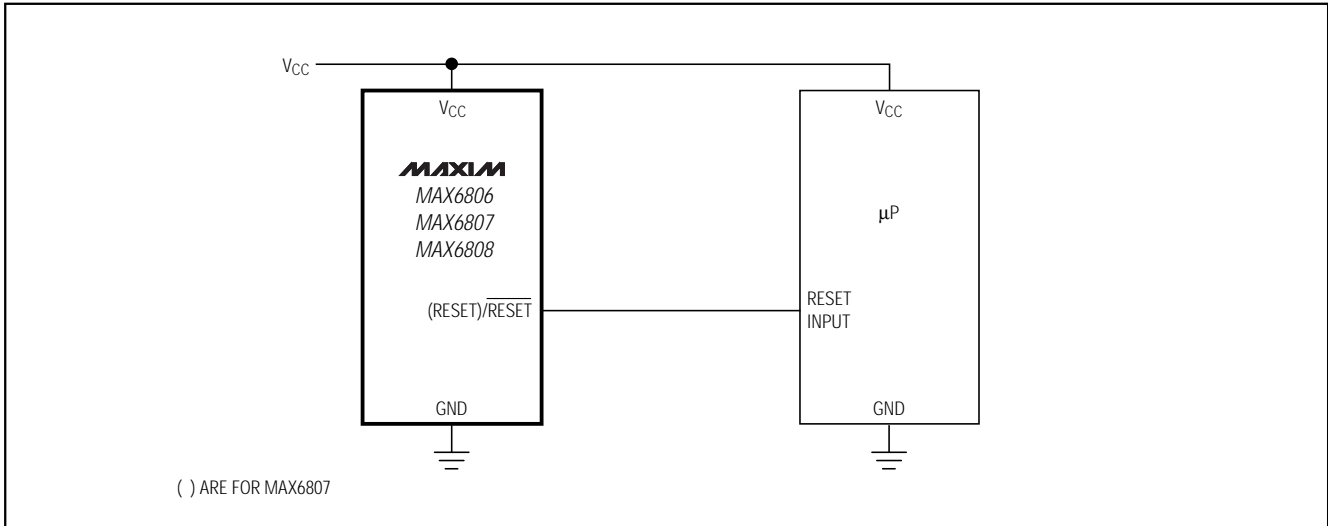
Voltage Detectors

Pin Configurations



MAX6806/MAX6807/MAX6808

Typical Operating Circuit



Chip Information

TRANSISTOR COUNT: 72

Voltage Detectors

Package Information

MAX6806/MAX6807/MAX6808

SYMBOL	MIN	MAX
e	0.65	BSC
D	1.80	2.20
b	0.25	0.40
E	1.15	1.35
HE	1.80	2.40
Q1	0.10	0.40
A2	0.80	1.00
A1	0.00	0.10
A	0.80	1.10
c	0.10	0.18
L	0.10	0.30
L1	0.425	TYP.

NOTE:

1. ALL DIMENSIONS ARE IN MILLIMETERS
2. DIMENSIONS ARE INCLUSIVE OF PLATING
3. DIMENSIONS ARE EXCLUSIVE OF MOLD FLASH & METAL BURR
4. ALL SPECIFICATIONS COMPLY TO EIAJ SC70
5. COPLANARITY 4 MILS. MAX.

MAXIM		
<small>PROPRIETARY INFORMATION</small>		
<small>TITLE:</small>		
PACKAGE OUTLINE, SC70, 3L		
<small>APPROVAL</small>	<small>DOCUMENT CONTROL NO.</small>	<small>REV</small>
	21-0075	A 1/1

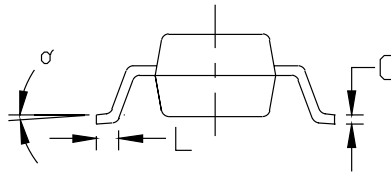
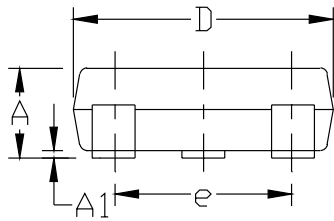
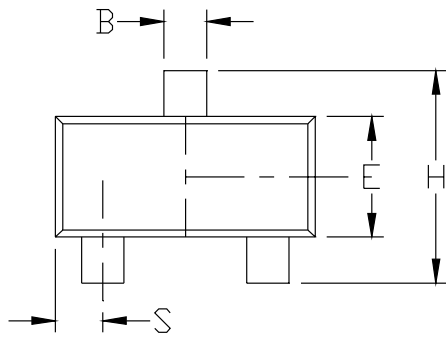
SC70, 3LEPS

Voltage Detectors

Package Information (continued)

NOTES:

1. D&E DO NOT INCLUDE MOLD FLASH.
2. MOLD FLASH OR PROTRUSIONS NOT TO EXCEED .15mm (.006")
3. CONTROLLING DIMENSION: MILLIMETER



DIM	INCHES		MILLIMETERS	
	MIN	MAX	MIN	MAX
A	0.031	0.047	0.787	1.194
A1	0.001	0.005	0.025	0.127
B	0.014	0.022	0.356	0.559
C	0.0034	0.006	0.086	0.152
D	0.105	0.120	2.667	3.048
E	0.047	0.055	1.194	1.397
e	0.070	0.080	1.778	2.032
H	0.082	0.098	2.083	2.489
L	0.004	0.012	0.102	0.305
S	0.017	0.022	0.432	0.559
α	0°	8°	0°	8°

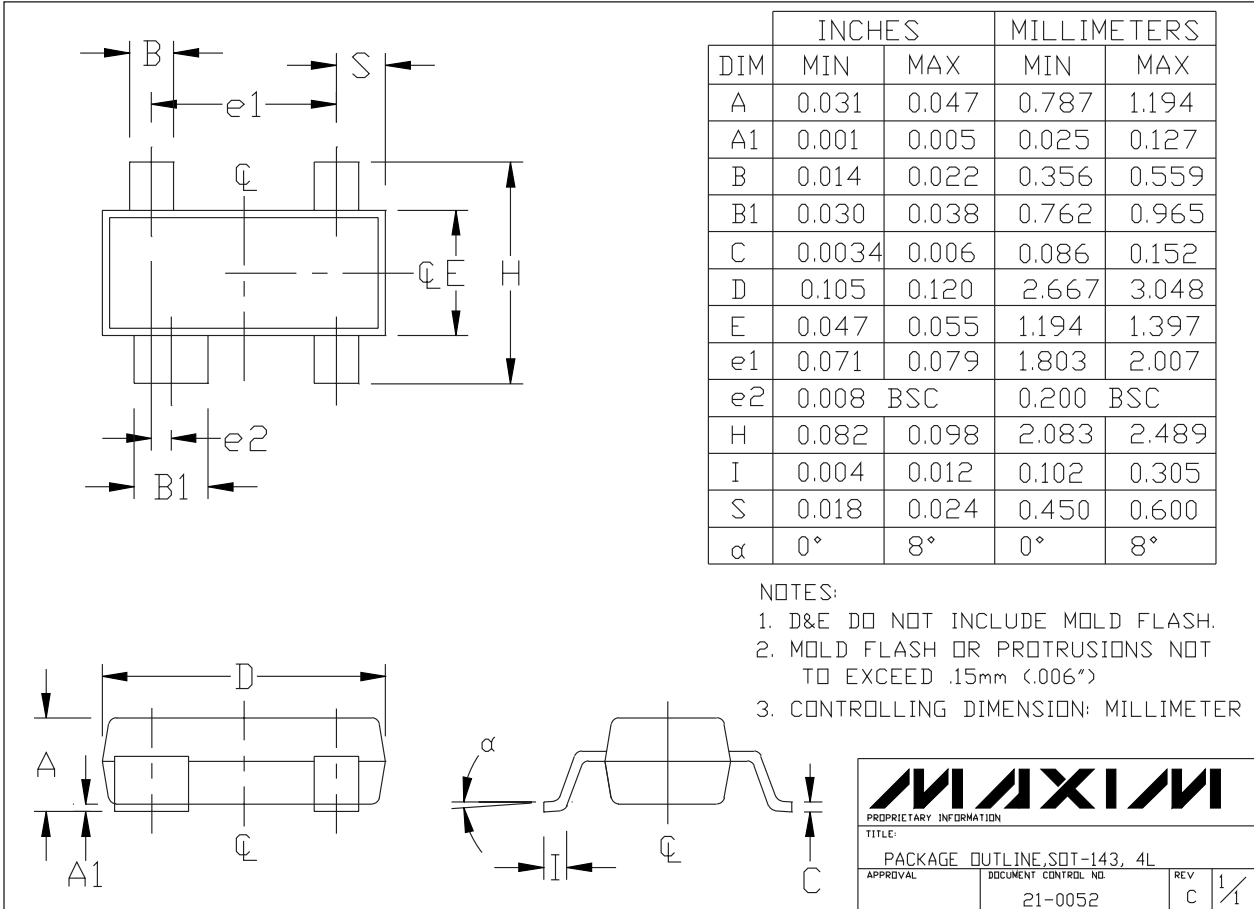
MAXIM			
PROPRIETARY INFORMATION			
TITLE:			
PACKAGE OUTLINE, SOT-23, 3L			
APPROVAL	DOCUMENT CONTROL NO.	REV	REV
	21-0051	C	1/1

SOT03LEPS

MAX6806/MAX6807/MAX6808

Voltage Detectors

Package Information (continued)



SOT1434LEPS

MAXIM
 PROPRIETARY INFORMATION
 TITLE:
 PACKAGE OUTLINE, SOT-143, 4L
 APPROVAL: _____ DOCUMENT CONTROL NO. 21-0052 REV C 1/1

Voltage Detectors

NOTES

MAX6806/MAX6807/MAX6808

Voltage Detectors

MAX6806/MAX6807/MAX6808

NOTES

Maxim cannot assume responsibility for use of any circuitry other than circuitry entirely embodied in a Maxim product. No circuit patent licenses are implied. Maxim reserves the right to change the circuitry and specifications without notice at any time.

12 _____ Maxim Integrated Products, 120 San Gabriel Drive, Sunnyvale, CA 94086 408-737-7600

© 1999 Maxim Integrated Products

Printed USA

MAXIM is a registered trademark of Maxim Integrated Products.

Copyright © Each Manufacturing Company.

All Datasheets cannot be modified without permission.

This datasheet has been download from :

www.AllDataSheet.com

100% Free DataSheet Search Site.

Free Download.

No Register.

Fast Search System.

www.AllDataSheet.com