



June 1998

## DS96172/DS96174 RS-485/RS-422 Quad Differential Line Drivers

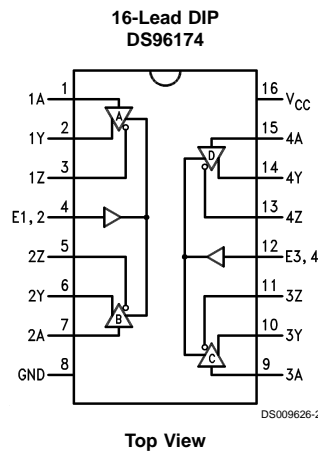
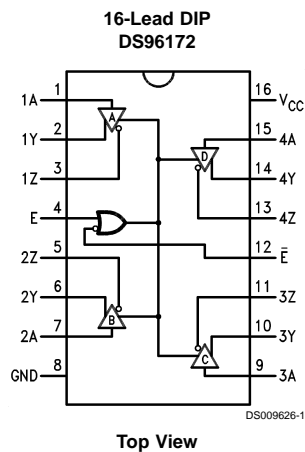
### General Description

The DS96172 and DS96174 are high speed quad differential line drivers designed to meet EIA Standard RS-485. The devices have TRI-STATE® outputs and are optimized for balanced multipoint data bus transmission at rates up to 10 Mbps. The drivers have wide positive and negative common mode range for multipoint applications in noisy environments. Positive and negative current-limiting is provided which protects the drivers from line fault conditions over a +12V to -7.0V common mode range. A thermal shutdown feature is also provided and occurs at junction temperature of approximately 160°C. The DS96172 features an active high and active low Enable, common to all four drivers. The DS96174 features separate active high Enables for each driver pair. Compatible RS-485 receivers, transceivers, and repeaters are also offered to provide optimum bus performance. The respective device types are DS96173, DS96175, DS96176 AND DS96177.

### Features

- Meets EIA Standard RS-485 and RS-422A
- Monotonic differential output switching
- Transmission rate to 10 Mbs
- TRI-STATE outputs
- Designed for multipoint bus transmission
- Common mode output voltage range: -7V to +12V
- Operates from single +5V supply
- Thermal shutdown protection
- DS96172/DS96174 are lead and function compatible with the SN75172/75174 or the AM26LS31/MC3487 respectively

### Connection Diagrams



**Order Number DS96172CN or DS96174CN  
See NS Package Number N16E**

TRI-STATE® is a registered trademark of National Semiconductor Corporation.

**Absolute Maximum Ratings** (Note 2)

N-Molded Package

1.98W

If Military/Aerospace specified devices are required, please contact the National Semiconductor Sales Office/Distributors for availability and specifications.

**Recommended Operating Conditions**

Storage Temperature Range

Molded DIP -65°C to +150°C

Operating Temperature Range

0°C to +70°C

Lead Temperature

Molded DIP (soldering, 10 sec.)

265°C

Supply Voltage

7V

Enable Input Voltage

5.5V

Maximum Power Dissipation (Note 1)

25°C

Supply Voltage ( $V_{CC}$ )

Min	Typ	Max	Units
4.75	5	5.25	V

Common Mode Output

Voltage ( $V_{OC}$ )

-7 +12 V

Output Current HIGH ( $I_{OH}$ )

-60 mA

Output Current LOW ( $I_{OL}$ )

60 mA

Operating Temperature ( $T_A$ )

0 25 70 °C

**Note 1:** Derate molded DIP package 16mW/°C above 25°C.**Electrical Characteristics** (Notes 3, 4)

over recommended temperature and supply voltage ranges, unless otherwise specified

Symbol	Parameter	Conditions	Min	Typ	Max	Units
$V_{IH}$	Input Voltage HIGH		2			V
$V_{IL}$	Input Voltage LOW				0.8	V
$V_{OH}$	Output Voltage HIGH	$I_{OH} = -20$ mA		3.1		V
$V_{OL}$	Output Voltage LOW	$I_{OL} = 20$ mA		0.8		V
$V_{IC}$	Input Clamp Voltage	$I_I = -18$ mA			-1.5	V
$ V_{OD1} $	Differential Output Voltage	$I_O = 0$ mA			6	V
$ V_{OD2} $	Differential Output Voltage	$R_L = 54\Omega$ , Figure 1	1.5	2		V
		$R_L = 100\Omega$ , Figure 1	2	2.3		V
$\Delta V_{OD} $	Change in Magnitude of Differential Output Voltage (Note 5)	$R_L = 54\Omega$ or $100\Omega$ , Figure 1			$\pm 0.2$	V
$V_{OC}$	Common Mode Output Voltage (Note 6)	$R_L = 54\Omega$ , Figure 1			3	V
$\Delta V_{OC} $	Change in Magnitude of Common Mode Output Voltage (Note 5)				$\pm 0.2$	V
$I_O$	Output Current with Power Off	$V_{CC} = 0V$ , $V_O = -7.0V$ to $12V$			$\pm 100$	$\mu A$
$I_{OZ}$	High Impedance State Output Current	$V_O = -7.0V$ to $12V$		$\pm 50$	$\pm 200$	$\mu A$
$I_{IH}$	Input Current HIGH	$V_I = 2.7V$			20	$\mu A$
$I_{IL}$	Input Current LOW	$V_I = 0.5V$			-100	$\mu A$
$I_{OS}$	Short Circuit Output Current (Note 7)	$V_O = -7.0V$			-250	mA
		$V_O = 0V$			-150	
		$V_O = V_{CC}$			150	
		$V_O = 12V$			250	
$I_{CC}$	Supply Current (All Drivers)	No Load	Outputs Enabled	50	70	mA
			Output Disabled	50	60	

**Switching Characteristics** $V_{CC} = 5V$ ,  $T_A = 25^\circ C$ 

Symbol	Parameter	Conditions	Min	Typ	Max	Units
$t_{DD}$	Differential Output Delay Time	$R_L = 60\Omega$ , Figure 2		15	25	ns
$t_{TD}$	Differential Output Transition Time			15	25	ns
$t_{PLH}$	Propagation Delay Time, Low-to-High Level Output	$R_L = 27\Omega$ , Figure 3		12	20	ns
$t_{PHL}$	Propagation Delay Time, High-to-Low Level Output			12	20	ns
$t_{PZH}$	Output Enable Time to High Level	$R_L = 110\Omega$ , Figure 4		30	45	ns
$t_{PZL}$	Output Enable Time to Low Level	$R_L = 110\Omega$ , Figure 5		30	45	ns

## Switching Characteristics (Continued)

$V_{CC} = 5V$ ,  $T_A = 25^\circ C$

Symbol	Parameter	Conditions	Min	Typ	Max	Units
$t_{PHZ}$	Output Disable Time from High Level	$R_L = 110\Omega$ , Figure 4		25	35	ns
$t_{PLZ}$	Output Disable Time from Low Level	$R_L = 110\Omega$ , Figure 5		30	45	ns

**Note 2:** "Absolute Maximum Ratings" are those values beyond which the safety of the device cannot be guaranteed. They are not meant to imply that the devices should be operated at these limits. The tables of "Electrical Characteristics" provide conditions for actual device operation.

**Note 3:** Unless otherwise specified min/max limits apply across the  $0^\circ C$  to  $+70^\circ C$  range for the DS96172/DS96174. All typicals are given for  $V_{CC} = 5V$  and  $T_A = 25^\circ C$ .

**Note 4:** All currents into the device pins are positive; all currents out of the device pins are negative. All voltages are referenced to ground unless otherwise specified.

**Note 5:**  $\Delta|V_{OD}|$  and  $\Delta|V_{OC}|$  are the changes in magnitude of  $V_{OD}$  and  $V_{OC}$  respectively, that occur when the input is changed from a high level to a low level.

**Note 6:** In EIA Standards RS-422A and RS-485,  $V_{OC}$ , which is the average of the two output voltages with respect to ground, is called output offset voltage,  $V_{OS}$ .

**Note 7:** Only one output at a time should be shorted.

## Parameter Measurement Information

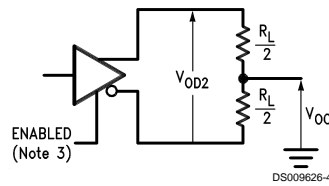


FIGURE 1. Differential and Common Mode Output Voltage

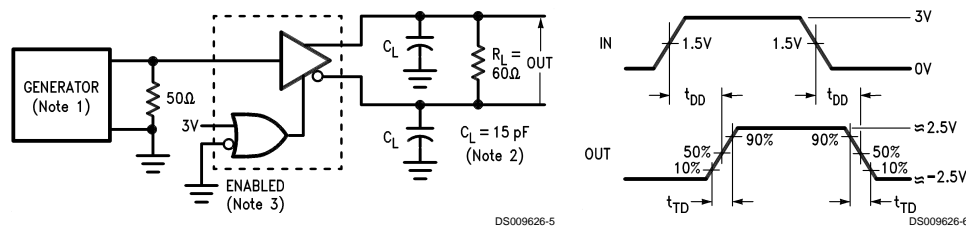


FIGURE 2. Differential Output Delay and Transition Times

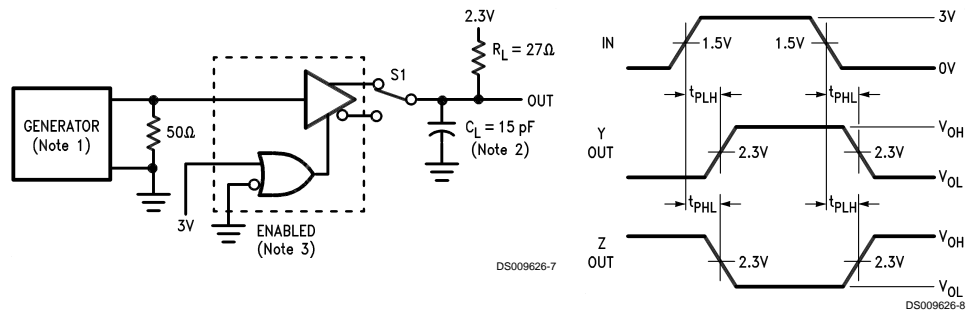
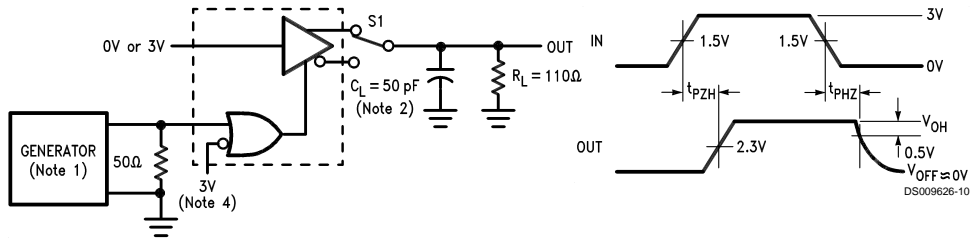


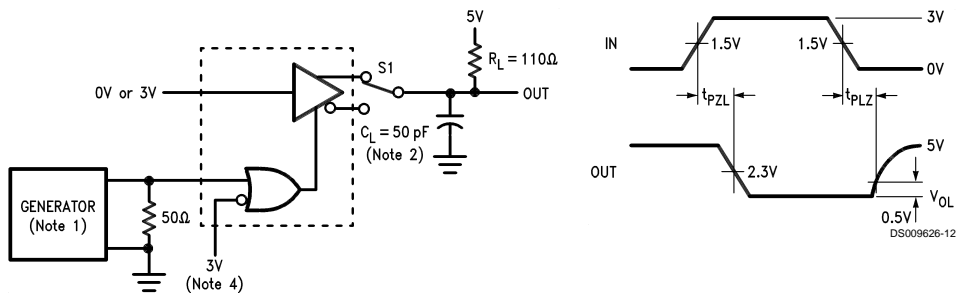
FIGURE 3. Propagation Delay Times

## Parameter Measurement Information (Continued)



DS009626-9

FIGURE 4.  $t_{PZH}$  and  $t_{PHZ}$



DS009626-11

FIGURE 5.  $t_{PZL}$  and  $t_{PLZ}$

**Note 8:** The input pulse is supplied by a generator having the following characteristics: PRR = 1.0 MHz, duty cycle = 50%,  $t_r \leq 5.0$  ns,  $t_f \leq 5.0$  ns,  $Z_O = 50\Omega$ .

**Note 9:**  $C_L$  includes probe and jig capacitance.

**Note 10:** DS96172 with active high and active low Enables is shown here. DS96174 has active high Enable only.

**Note 11:** To test the active low Enable  $\bar{E}$  of DS96172, ground E and apply an inverted waveform to  $\bar{E}$ . DS96174 has active high Enable only.

## Function Tables

### DS96172

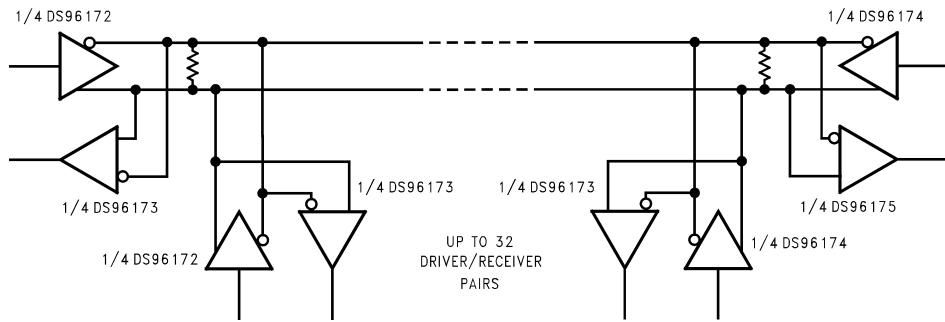
Input A	Enables		Outputs	
	E	$\bar{E}$	Y	Z
H	H	X	H	L
L	H	X	L	H
H	X	L	H	L
L	X	L	L	H
X	L	H	Z	Z

### DS96174

Input	Enable	Outputs	
		Y	Z
H	H	H	L
L	H	L	H
X	L	Z	Z

H = High Level  
X = Immaterial  
L = Low Level  
Z = High Impedance (off)

## Typical Application

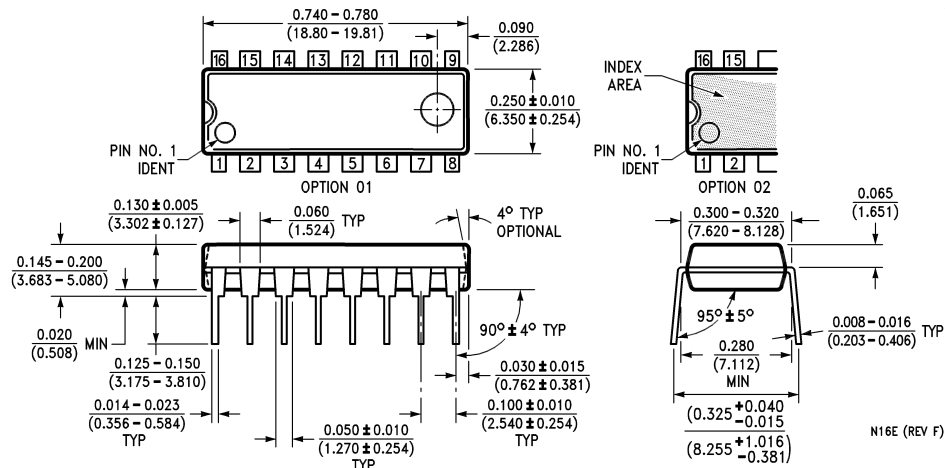


DS009626-13

**Note:** The line length should be terminated at both ends in its characteristic impedance. Stub lengths off the main line should be kept as short as possible.

**FIGURE 6.**

**Physical Dimensions** inches (millimeters) unless otherwise noted



**Molded Dual-In-Line Package (N)**  
**Order Number DS96172CN or DS96174CN**  
**NS Package Number N16E**

**LIFE SUPPORT POLICY**

NATIONAL'S PRODUCTS ARE NOT AUTHORIZED FOR USE AS CRITICAL COMPONENTS IN LIFE SUPPORT DEVICES OR SYSTEMS WITHOUT THE EXPRESS WRITTEN APPROVAL OF THE PRESIDENT OF NATIONAL SEMICONDUCTOR CORPORATION. As used herein:

1. Life support devices or systems are devices or systems which, (a) are intended for surgical implant into the body, or (b) support or sustain life, and whose failure to perform when properly used in accordance with instructions for use provided in the labeling, can be reasonably expected to result in a significant injury to the user.
2. A critical component in any component of a life support device or system whose failure to perform can be reasonably expected to cause the failure of the life support device or system, or to affect its safety or effectiveness.



**National Semiconductor Corporation**  
 Americas  
 Tel: 1-800-272-9959  
 Fax: 1-800-737-7018  
 Email: support@nsc.com

**National Semiconductor Europe**  
 Fax: +49 (0) 1 80-530 85 86  
 Email: europe.support@nsc.com  
 Deutsch Tel: +49 (0) 1 80-530 85 85  
 English Tel: +49 (0) 1 80-532 78 32  
 Français Tel: +49 (0) 1 80-532 93 58  
 Italiano Tel: +49 (0) 1 80-534 16 80

**National Semiconductor Asia Pacific Customer Response Group**  
 Tel: 65-2544466  
 Fax: 65-2504466  
 Email: sea.support@nsc.com

**National Semiconductor Japan Ltd.**  
 Tel: 81-3-5620-6175  
 Fax: 81-3-5620-6179

www.national.com

Copyright © Each Manufacturing Company.

All Datasheets cannot be modified without permission.

This datasheet has been download from :

[www.AllDataSheet.com](http://www.AllDataSheet.com)

100% Free DataSheet Search Site.

Free Download.

No Register.

Fast Search System.

[www.AllDataSheet.com](http://www.AllDataSheet.com)