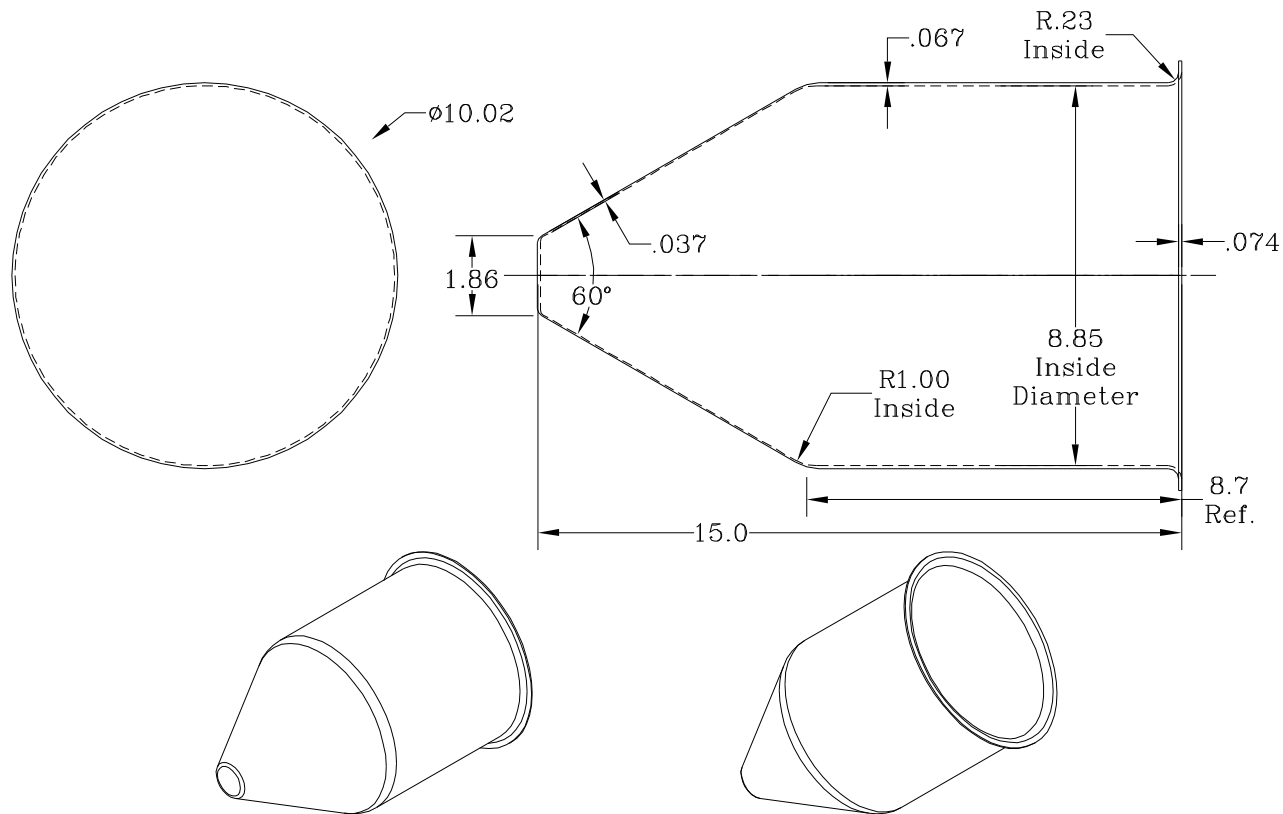


[查询TMS9914供应商](#)



TOLEDO METAL SPINNING Co.
 1819 Clinton Street, Toledo, OH 43607
 Tel:(419)535-5931 Fax:(419)535-0565
www.toledometal spinning.com

P/N: TMS9914
 Desc: TMS SS Hopper
 Material: 14 Ga. SS304
 DWG# TMS9914.dwg
 Rev# N/C

Unless otherwise specified (DU = Inches)
 Tolerances:
 X. ± 0.25 X.XX ± 0.030 X.XXXX ± 0.001
 X.X ± 0.12 X.XXX ± 0.010 Ang. ± 0.25
 Break all edges with R1/32" to R1/16"

Fast Search System.

www.AllDataSheet.com