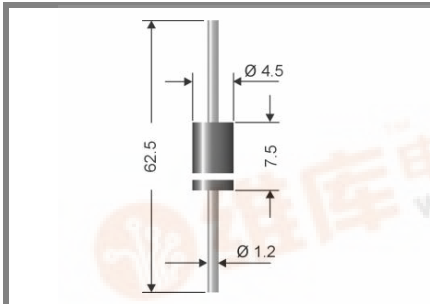


SB 520...SB 5100



Axial lead diode

Schottky barrier rectifiers diodes

SB 520...SB 5100

Forward Current: 5 A

Reverse Voltage: 20 to 100 V

Features

- Max. solder temperature: 260°C
- Plastic material has UL classification 94V-0

Mechanical Data

- Plastic case DO-201
- Weight approx.: 1 g
- Terminals: plated terminals solderable per MIL-STD-750
- Mounting position: any
- Standard packaging: 1700 pieces per ammo

1) Valid, if leads are kept at ambient temperature at a distance of 10 mm from case

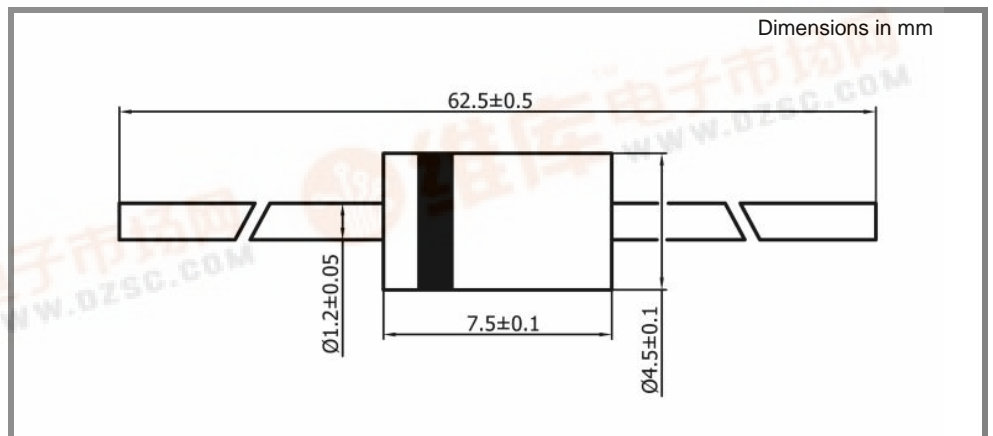
2) $I_F = 5\text{ A}$, $T_j = 25\text{ °C}$

3) $T_A = 25\text{ °C}$

Type	Repetitive peak reverse voltage V_{RRM} V	Surge peak reverse voltage V_{RSM} V	Max. reverse recovery time $I_F = -\text{A}$ $I_R = -\text{A}$ $I_{RR} = -\text{A}$ t_{rr} ns	Max. forward voltage $V_F^{2)}$
SB 520	20	20	-	0,55
SB 530	30	30	-	0,55
SB 540	40	40	-	0,55
SB 550	50	50	-	0,67
SB 560	60	60	-	0,67
SB 590	90	90	-	0,79
SB 5100	100	100	-	0,79

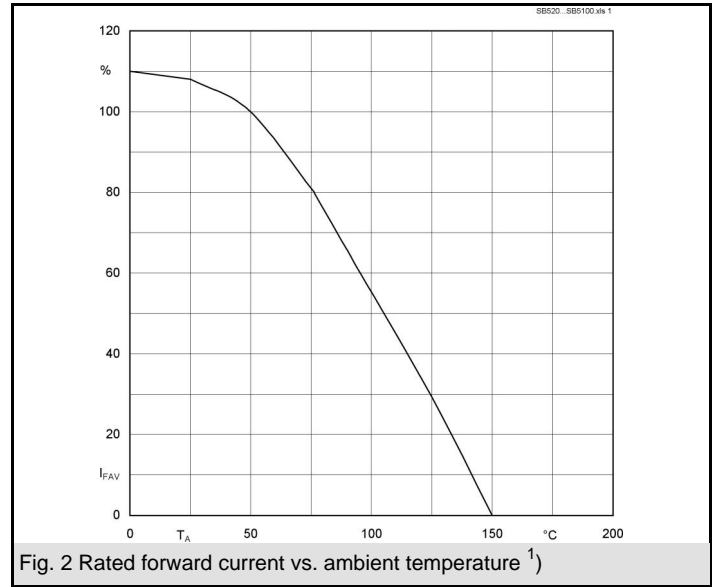
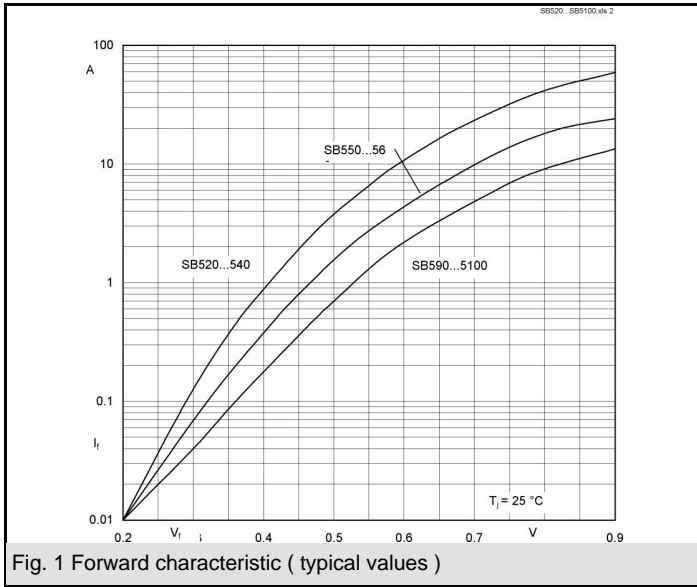
Absolute Maximum Ratings		$T_c = 25\text{ °C}$, unless otherwise specified	
Symbol	Conditions	Values	Units
I_{FAV}	Max. averaged fwd. current, R-load, $T_A = 50\text{ °C}^1)$	5	A
I_{FRM}	Repetitive peak forward current $f > 15\text{ Hz}^1)$	20	A
I_{FSM}	Peak forward surge current 50 Hz half sinus-wave $^3)$	150	A
i^2t	Rating for fusing, $t < 10\text{ ms}^3)$	310	A ² s
R_{thA}	Max. thermal resistance junction to ambient $^1)$	25	K/W
R_{thT}	Max. thermal resistance junction to terminals $^1)$	8	K/W
T_j	Operating junction temperature	-50...+150	°C
T_s	Storage temperature	-50...+175	°C

Characteristics		$T_c = 25\text{ °C}$, unless otherwise specified	
Symbol	Conditions	Values	Units
I_R	Maximum leakage current, $T_j = 25\text{ °C}$; $V_R = V_{RRM}$	SB520...560 $I_R < 0,50$	mA
	$T_j = \text{°C}$; $V_R = V_{RRM}$	SB590...5100 $I_R < 0,60$	mA
C_j	Typical junction capacitance (at MHz and applied reverse voltage of V)	-	pF
Q_{rr}	Reverse recovery charge ($U_R = V$; $I_F = A$; $dI_F/dt = A/ms$)	-	µC
E_{RSM}	Non repetitive peak reverse avalanche energy ($I_R = mA$; $T_j = \text{°C}$; inductive load switched off)	-	mJ



case: DO-201

SB 520...SB 5100



Copyright © Each Manufacturing Company.

All Datasheets cannot be modified without permission.

This datasheet has been download from :

www.AllDataSheet.com

100% Free DataSheet Search Site.

Free Download.

No Register.

Fast Search System.

www.AllDataSheet.com