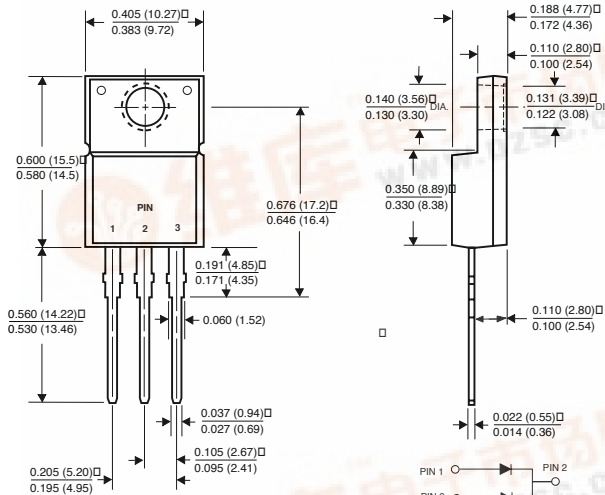


SBLF1030CT AND SBLF1040CT

SCHOTTKY ISOLATED PLASTIC RECTIFIER

Reverse Voltage - 30 and 40 Volts Forward Current - 10.0 Amperes

ITO-220AB



Dimensions in inches and (millimeters)

FEATURES

- ◆ Isolated plastic package has Underwriters Laboratory Flammability Classifications 94V-0
- ◆ Metal silicon junction, majority carrier conduction
- ◆ Low power loss, high efficiency
- ◆ High current capability, low forward voltage drop
- ◆ High surge capacity
- ◆ For use in low voltage, high frequency inverters, free wheeling, and polarity protection applications
- ◆ Guardring for overvoltage protection
- ◆ High temperature soldering guaranteed: 250°C/10 seconds, 0.25" (6.35mm) from case



MECHANICAL DATA

Case: JEDEC ITO-220AB fully overmolded plastic body

Terminals: Lead solderable per MIL-STD-750, Method 2026

Polarity: As marked

Mounting Position: Any

Mounting Torque: 5 in. - lbs max.

Weight: 0.08 ounce, 2.24 grams

MAXIMUM RATINGS AND ELECTRICAL CHARACTERISTICS

Ratings at 25°C ambient temperature unless otherwise specified.

	SYMBOLS	SBLF1030CT	SBLF1040CT	UNITS
Maximum repetitive peak reverse voltage	V _{RRM}	30	40	Volts
Maximum RMS voltage	V _{RMS}	21	28	Volts
Maximum DC blocking voltage	V _{DC}	30	40	Volts
Maximum average forward rectified current at T _C =95°C	I <sub(av)< sub=""></sub(av)<>	10.0		Amps
Peak forward surge current, 8.3ms single half sine-wave superimposed on rated load (JEDEC Method)	I _{FSM}	175.0		Amps
Maximum instantaneous forward voltage per leg at 5.0A (NOTE 1)	V _F	0.55		Volts
Maximum instantaneous reverse current at rated DC blocking voltage (NOTE 1)	I _R	0.5 50.0		mA
Typical thermal resistance (NOTE 2)	R _{θJC}	5.0		°C/W
Operating and storage temperature range	T _J , T _{STG}	-40 to +125		°C
RMS Isolation voltage from terminals to heatsink with RH ≤ 30%	V _{ISOL}	4500 (NOTE 3) 3500 (NOTE 4) 1500 (NOTE 5)		Volts

NOTES:

- (1) Pulse test: 300µs pulse width, 1% duty cycle
- (2) Thermal resistance from junction to case per leg
- (3) Clip mounting (on case), where lead does not overlap heatsink with 0.110" offset.
- (4) Clip mounting (on case), where leads do overlap heatsink.
- (5) Screw mounting with 4-40 screw, where washer diameter is ≤ 4.9 mm (0.19").

RATINGS AND CHARACTERISTIC CURVES SBLF1030CT AND SBLF1040CT

FIG. 1 - FORWARD CURRENT DERATING CURVE

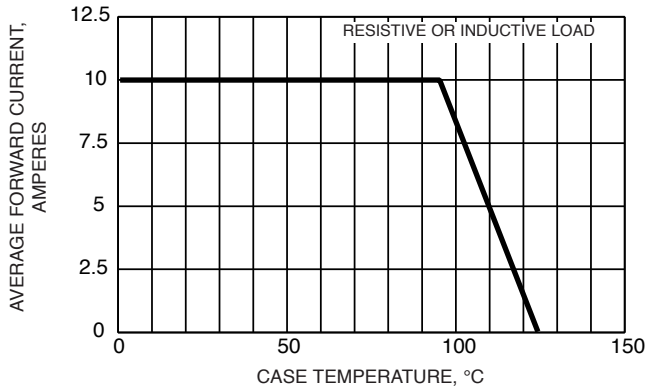


FIG. 2 - MAXIMUM NON-REPETITIVE PEAK FORWARD SURGE CURRENT

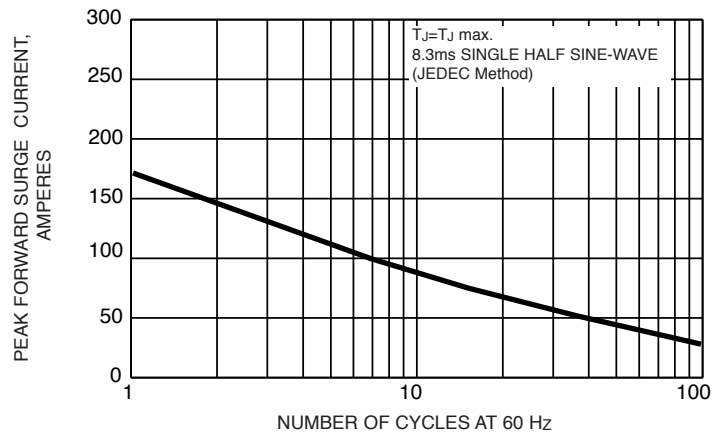


FIG. 3 - TYPICAL INSTANTANEOUS FORWARD CHARACTERISTICS PER LEG

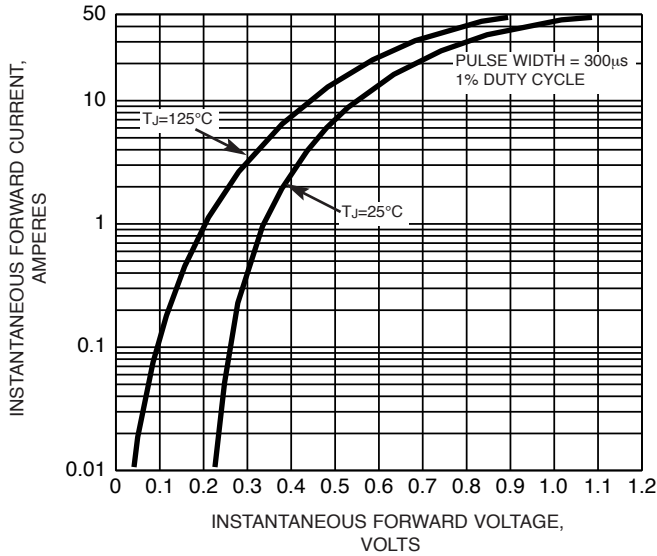


FIG. 4 - TYPICAL REVERSE CHARACTERISTICS PER LEG

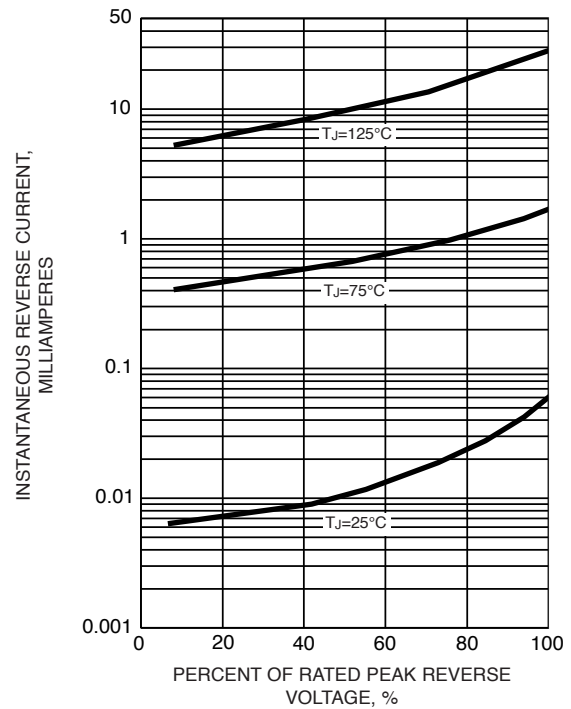


FIG. 5 - TYPICAL JUNCTION CAPACITANCE PER LEG

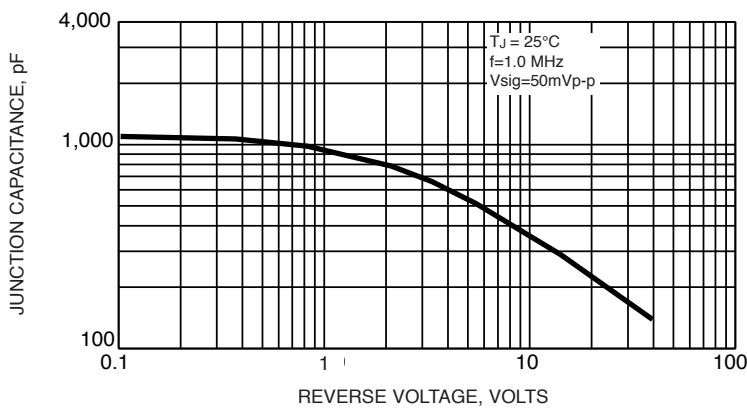


FIG. 6 - TYPICAL TRANSIENT THERMAL IMPEDANCE PER LEG

