

PRELIMINARY DATA SHEET

SDA 9401
SCARABAEUS
Scan Rate Converter
using Embedded
DRAM Technology Units

Document Change Note

DS ¹	Date	Section/ Page	Changes compared to previous issue	Department
	25.09.98		Changes to previous issue Version 0, Edition 05/98 are marked with a changebar	HL IV CE
	05.05.99	page 61	ESD model CDM added, -1.5 kV, ..., 1,5 kV	IV CE
	01.07.99	page 20	In Multipicture mode only STOPMODE = 0110 possible	IV CE
	26.04.00	all	Preliminary Data Sheet Version 01, Edition 04/00 update new logo, removal of change bars	CNP HN PD

1)... DS = Document state, compares to block 4 of document number

List of Tables	Page
1 General description	4
2 Features	4
3 Block diagram.	6
4 Pin configuration	7
5 Pin description	8
6 System description	9
6.1 Input sync controller (ISC)	9
6.2 Input format conversion (IFC)	12
6.3 Low data rate processing	16
6.3.1 Vertical compression	16
6.3.2 Horizontal compression	17
6.3.3 Multipicture display	18
6.3.4 Noise reduction	21
6.3.5 Noise measurement	25
6.4 Clock concept	27
6.5 Output sync controller (OSC)	29
6.5.1 HOUT generator	31
6.5.2 VOUT generator	32
6.5.3 Operation mode generator	34
6.5.4 Window generator	37
6.6 Output format conversion (OFC)	40
6.7 High data rate processing (HDR)	41
6.8 I ² C bus	45
6.8.1 I ² C bus slave address	45
6.8.2 I ² C bus format	45
6.8.3 I ² C bus commands	47
6.8.4 Detailed description	49
7 Absolute maximum ratings	61
8 Recommended operating conditions	62
9 Characteristics (Assuming Recommended Operating Conditions)	64
10 Application information	65
11 Waveforms	66
11.1 I ² C-bus timing START/STOP	66
11.2 I ² C-bus timing DATA	66
11.3 Timing diagram clock	67
11.4 Clock circuitry diagram	67
12 Package Outlines	68

1 General description

The SDA 9401 is a new component of the Micronas MEGAVISION[®] IC set in a 0.35 µm embedded DRAM technology (field memory embedded). The SDA 9401 is pin compatible to the SDA 9400 (frame memory embedded). The SDA 9401 comprises all main functionalities of a digital featurebox in one monolithic IC.

The SDA 9401 does a simple 100/120 Hz interlaced (50/60 Hz progressive) scan rate conversion. The scan rate converted picture can be vertically expanded. The SDA 9401 has a freerunning mode, therefore features like multiple picture display (e.g. tuner scan) are possible.

The noise reduction is field based. Furthermore separate motion detectors for luminance and chrominance have been implemented. For automatic controlling of the noise reduction parameters a noise measurement algorithm is included, which measures the noise level in the picture or in the blanking period. In addition a spatial noise reduction is implemented, which reduces the noise even in the case of motion. The input signal can be compressed horizontally and vertically with a certain number of factors. Therefore split screen modes are supported too.

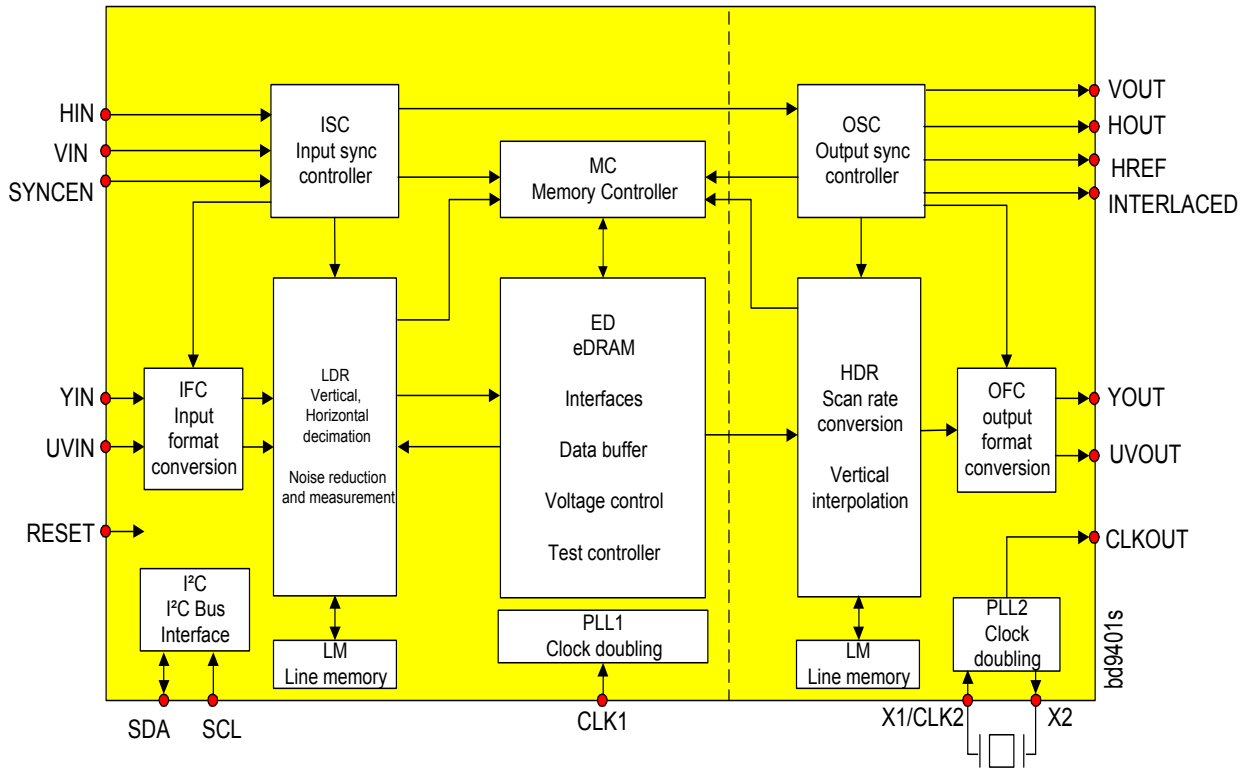
Beside these additional functions like coloured background, windowing and flashing are implemented.

2 Features

- **Two input data formats**
 - 4:2:2 luminance and chrominance parallel (2 x 8 wires)
 - ITU-R 656 data format (8 wires)
- **Two different representations of input chrominance data**
 - 2's complement code
 - Positive dual code
- **Flexible input sync controller**
- **Flexible compression of the input signal**
 - Digital vertical compression of the input signal (1.0, 1.25, 1.5, 1.75, 2.0, 3.0, 4.0)
 - Digital horizontal compression of the input signal (1.0, 2.0, 4.0)
- **Noise reduction**
 - Motion adaptive spatial and temporal noise reduction (3D-NR)
 - Temporal noise reduction for luminance field based
 - Temporal noise reduction for chrominance field based
 - Separate motion detectors for luminance and chrominance
 - Flexible programming of the temporal noise reduction parameters
 - Automatic measurement of the noise level (5 bit value, readable by I²C bus)
- **TV mode detection by counting line numbers (PAL, NTSC, readable by I²C bus)**
- **Embedded memory**
 - 3.2 Mbit embedded DRAM core for field memories
 - 128 kbit embedded DRAM core for line memories

- **Flexible clock and synchronization concept**
 - Decoupling of the input and output clock system possible
- **Scan rate conversion**
 - Simple 100/120 Hz interlaced scan conversion (e.g. AABB, AA*B*B)
 - Simple progressive scan conversion (e.g. AA*)
- **Flexible digital vertical expansion of the output signal (1.0, ... [1/32] ... , 2.0)**
- **Flexible output sync controller**
 - Flexible positioning of the output signal
 - Flexible programming of the output sync raster
- **Signal manipulations**
 - Insertion of coloured background
 - Vertical and/or horizontal windowing with four different speed factors
 - Flash generation
 - Still field
 - Support of split screen applications
 - Multiple picture display - Tuner scan (4 and 16 times for 4:3, 12 times for 16:9 tubes)
 - Support of multi picture display with PIP or front-end processor with integrated scaler (e.g. 9 times display of PIP pictures, picture tracking, random pictures, still-in-moving picture, moving-in-still picture)
- **I²C-bus control (400 kHz)**
- **P-MQFP-64 package**
- **3.3 V ± 5% supply voltage**

3 Block diagram



The SDA 9401 contains the blocks, which will be briefly described below:

ISC - Flexible input sync controller

IFC - Input format conversion

LDR - Low data rate processing (noise reduction and measurement, vertical compression, horizontal compression)

MC - Memory controller

OSC - Flexible output sync controller

OFC - Output format conversion

HDR - High data rate processing (scan rate conversion, vertical expansion)

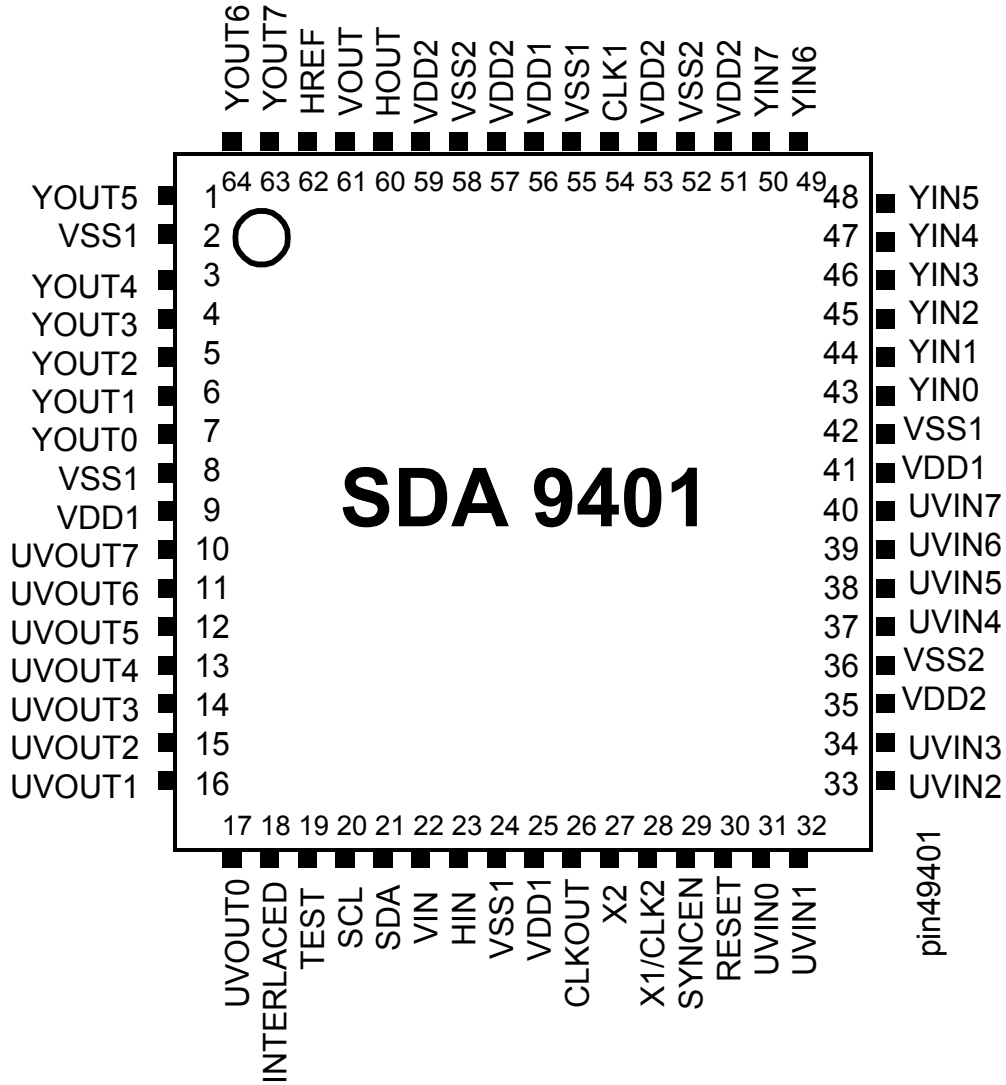
I²C - I²C bus interface

PLL1/2 - PLL for frequency doubling

LM - Line memory core

ED - eDRAM core

4 Pin configuration



5 Pin description

Pin No.	Name	Type	Description
2,8,24,42,55	VSS1	S	Supply voltage ($V_{SS} = 0\text{ V}$)
9,25,41,56	VDD1	S	Supply voltage ($V_{DD} = 3.3\text{ V}$)
36,52,58	VSS2	S	Supply voltage ($V_{SS} = 0\text{ V}$)
35,51,53,57, 59	VDD2	S	Supply voltage ($V_{DD} = 3.3\text{ V}$)
43,...,50	YIN0...7	I/TTL	Data input Y (see input data format)
31,...,34;37,..., 40	UVIN0...7	I/TTL PD	Data input UV (for 4:2:2 parallel, see input data format) (for CCIR 656, see input data format)
30	RESET	I/TTL	System reset. The RESET input is low active. In order to ensure correct operation a "Power On Reset" must be performed. The RESET pulse must have a minimum duration of two clock periods of the system clock CLK1.
23	HIN	I/TTL PD	H-Sync input (only for full CCIR 656)
22	VIN	I/TTL PD	V-Sync input (only for full CCIR 656)
29	SYNCEN	I/TTL	Synchronization enable input
21	SDA	I/O	I ² C-Bus data line (5V ability)
20	SCL	I	I ² C-Bus clock line (5V ability)
54	CLK1	I/TTL	System clock 1
17,...,10	UVOUT0...7	O/TTL	Data output UV (see output data format)
7,...,3;1;64;63	YOUT0...7	O/TTL	Data output Y (see output data format)
62	HREF	O/TTL	Horizontal active video output
61	VOUT	I/TTL	V-Sync output
60	HOUT	I/TTL	H-Sync output
18	INTERLACED	O/TTL	Interlace signal for AC coupled vertical deflection
28	X1 / CLK2	I/TTL	Crystal connection / System clock 2
27	X2	O/ANA	Crystal connection
26	CLKOUT	O/TTL	Clock output (depends on I ² C parameters CLK11EN, CLK21EN, see also <i>Clock concept</i> on page 27)
19	TEST	I/TTL	Test input, connect to V_{SS} for normal operation

S: supply, I: input, O: output, TTL: digital (TTL)

ANA: analog PD: pull down

6 System description

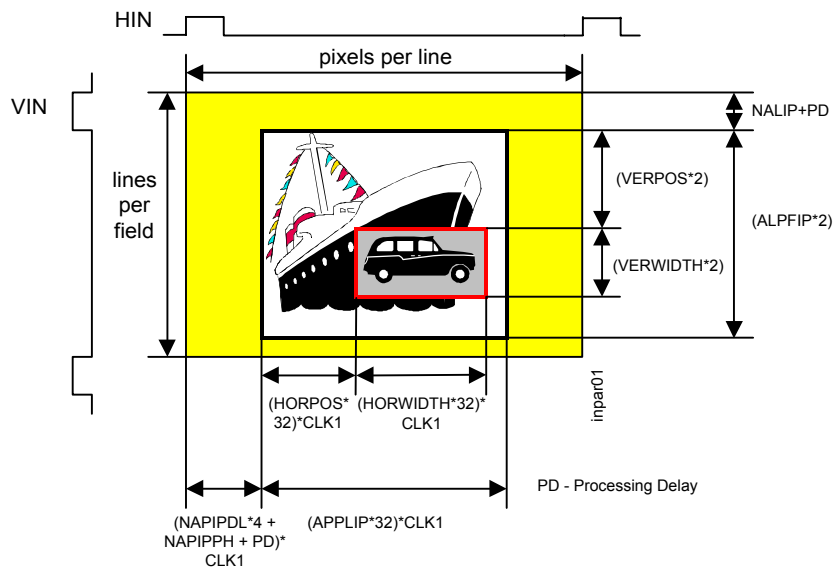
6.1 Input sync controller (ISC)

Input signals

Signals	Pin number	Description
HIN	23	horizontal synchronization signal (polarity programmable, I ² C bus parameter 01h HINPOL, default: high active)
VIN	22	vertical synchronization signal (polarity programmable, I ² C bus parameter 01h VINPOL, default: high active)
SYNCEN	29	enable signal for HIN and VIN signal, low active (see also <i>chapter Input format conversion (IFC)</i> on page 12)

The input sync controller derives framing signals from the H- and V-Sync for the input data processing. The framing signals depend on different parameters and mark the active picture area.

Input parameter



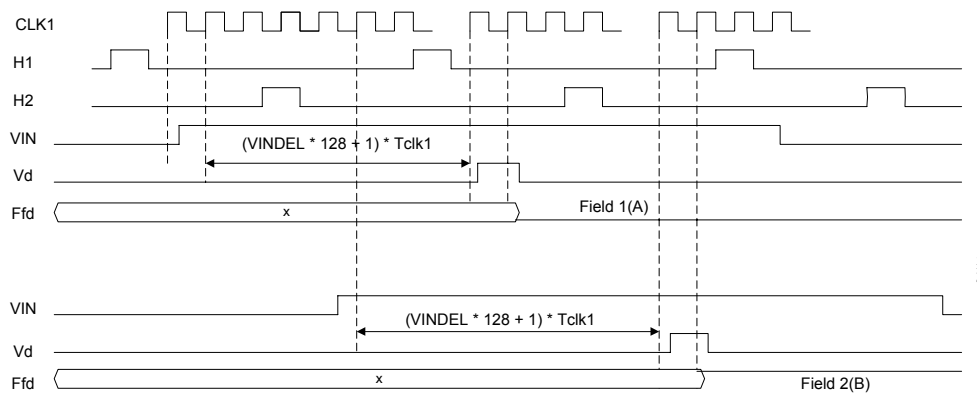
The distance between the incoming H-syncs in system clocks of clk1 must be even.

Input write parameter

Parameter [Default value]	Subaddress	Description
NALIP [20]	02h	Not Active Line InPut defines the number of lines from the V-Sync to the first active line of the field
ALPFIP [144]	03h	Active Lines Per Field InPut defines the number of active lines
NAPLIP NAPIPDL [0] NAPIPPH [0]	00h, 04h	Not Active Pixels Per Line InPut defines the number of pixels from the H-Sync to the first active pixel of the line. The number of pixels is a combination of NAPIPDL and NAPIPPH.
APPLIP [45]	05h	Active Pixels Per Line InPut defines the number of active pixels
PIMODE 1: on 0: off [0]	00h	Picture Insert MODE allows the insertion of an arbitrary picture with the horizontal and vertical width defined by VERWIDTH and HORWIDTH at the position defined by VERPOS and HORPOS
VERPOS [0]	08h	VERTical POSition defines the number of lines from the first active line to the first active line of an inserted picture
VERWIDTH [0]	07h	VERTical WIDTH defines the number of lines (vertical width) of an inserted picture
HORPOS [0]	0Ah	HORizontal POSition defines the number of pixels from the first active pixel to the first active pixel of an inserted picture
HORWIDTH [0]	09h	HORizontal WIDTH defines the number of pixels (horizontal width) of an inserted picture

Inside the SDA 9401 a field detection block is necessary for the detection of an odd (A) or even (B) field. Therefore the incoming H-Sync H1 (delayed HIN signal, delay depends on NAPIPDL and NAPIPPH) is doubled (H2 signal). Depending on the phase position of the rising edge of the VIN signal an A (rising edge between H1 and H2) or B (rising edge between H2 and H1) field is detected. For proper operation of the field detection block, the VIN must be delayed depending on the delay of the HIN signal (H1). The figure below explains the field detection process and the functionality of the VINDEL parameter (inside the SDA 9401 the delayed VIN signal is called Vd and the detected field signal is called Ffd).

Field detection and VIN delay



Input write parameter

Parameter [Default value]	Subaddress	Description
VINDEL [0]	01h	Delay of the incoming V-Sync VIN (must be adjusted depending on the delay of the HIN signal)
FIEINV 1: Field A=1 0: Field A=0 [0]	00h	Inversion of the internal field polarity
VCRMODE 1: on 0: off [1]	00h	In case of non standard interlaced signals (VCR, Play-Stations) a filtering of the internal field signal can be done (can also be used for normal TV signals)

In case of non-standard signals the field order is indeterminate (e.g. AAA... , BBB... , AAABAAAB..., etc.). Therefore a special filtering algorithm is implemented, which can be switched on by the parameter VCRMODE.

The OPDEL parameter is used to adjust the outgoing V-Sync VOUT in relation to the incoming delayed V-Sync VIN. In case of 50 Hz to 100 Hz interlaced scan rate conversion the OPDEL parameter should be greater than half the number of lines of a field plus the internal processing delay (8 lines).

Input write parameter

Parameter [Default value]	Subaddress	Description
OPDEL [170]	06h	Delay (in number of lines) of the internal V-Sync (delayed VIN) to the outgoing V-Sync (VOUT)

The internal line counter is used to determine the information about the standard of the incoming

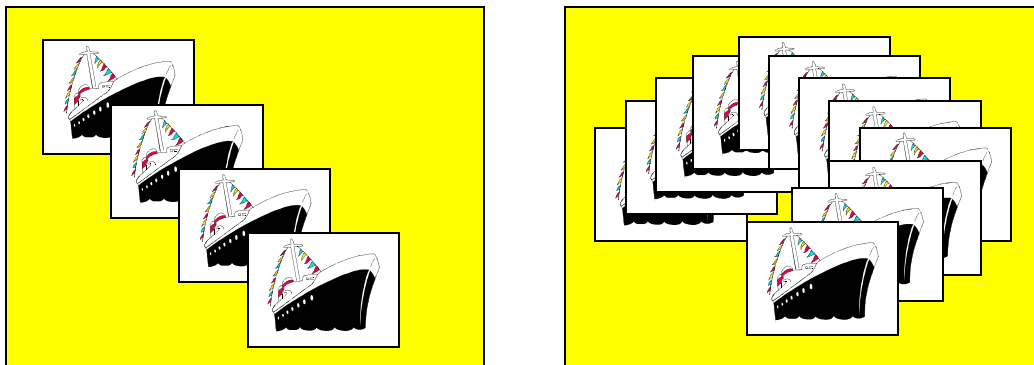
signal.

Input read parameter

Parameter	Subaddress	Description
TVMODE	33h	TV standard of the incoming signal: 1: NTSC 0: PAL

The figure below shows applications of the picture insert mode. For this feature an additional PIP circuit (e.g. SDA 9388, SDA 9488/89) is necessary. Together with the PIP IV circuit (SDA 9488/89) also split screen applications like double window are possible. The compression of the inserted picture has also be done by the external PIP or front-end processor.

Picture insert mode: application examples picture tracking, random pictures



6.2 Input format conversion (IFC)

Input signals

Signals	Pin number	Description
YIN0...7	43, 44, 45, 46, 47, 48, 49, 50	luminance input
UVIN0...7	31, 32, 33, 34, 37, 38, 39, 40	chrominance input

The SDA 9401 accepts at the input side the sample frequency relations of Y : (B-Y) : (R-Y): 4:2:2 and CCIR 656. In case of CCIR 656 three modes are supported (FORMAT=11 means full CCIR 656 support, including H-, V-Sync and Field signal, FORMAT=01 means only data processing, H- and V-Sync have to be added separately according PAL/NTSC norm, FORMAT=10 means only data processing, H- and V-sync have to be added separately according CCIR656-PAL/NTSC norm). The representation of the samples of the chrominance signal is programmable as positive dual code (unsigned, parameter TWOIN=0) or two's complement code (TWOIN=1, see also *chapter I²C bus format* on page 45, I²C bus parameter 00h). Inside the SDA 9401 all algorithms assume positive dual code.

Input data formats

Data Pin	CCIR 656 FORMAT = 1X FORMAT = 01				4:2:2 Parallel FORMAT = 00	
	YIN7	U ₀₇	Y ₀₇	V ₀₇	Y ₁₇	Y ₀₇
YIN6	U ₀₆	Y ₀₆	V ₀₆	Y ₁₆	Y ₀₆	Y ₁₆
YIN5	U ₀₅	Y ₀₅	V ₀₅	Y ₁₅	Y ₀₅	Y ₁₅
YIN4	U ₀₄	Y ₀₄	V ₀₄	Y ₁₄	Y ₀₄	Y ₁₄
YIN3	U ₀₃	Y ₀₃	V ₀₃	Y ₁₃	Y ₀₃	Y ₁₃
YIN2	U ₀₂	Y ₀₂	V ₀₂	Y ₁₂	Y ₀₂	Y ₁₂
YIN1	U ₀₁	Y ₀₁	V ₀₁	Y ₁₁	Y ₀₁	Y ₁₁
YIN0	U ₀₀	Y ₀₀	V ₀₀	Y ₁₀	Y ₀₀	Y ₁₀
UVIN7					U ₀₇	V ₀₇
UVIN6					U ₀₆	V ₀₆
UVIN5					U ₀₅	V ₀₅
UVIN4					U ₀₄	V ₀₄
UVIN3					U ₀₃	V ₀₃
UVIN2					U ₀₂	V ₀₂
UVIN1					U ₀₁	V ₀₁
UVIN0					U ₀₀	V ₀₀

X_{ab}: X: signal component a: sample number b: bit number

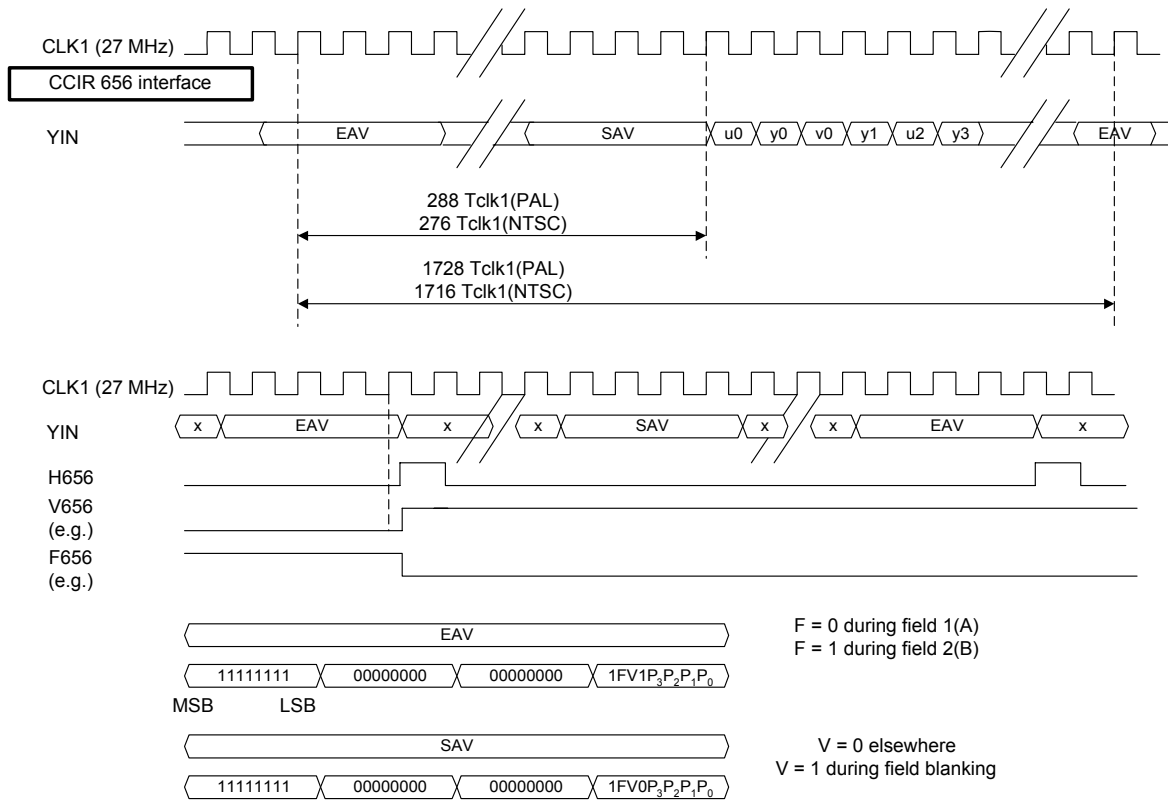
Input sync formats

FORMAT	HIN	VIN	YIN	UVIN
00	PAL/NTSC	PAL/NTSC	4:2:2	4:2:2
01 (CCIR 656 only data)	PAL/NTSC	PAL/NTSC	CCIR 656	x
10	CCIR 656	CCIR 656	CCIR 656	x
11 (full CCIR 656)	x	x	CCIR 656	x

The amplitude resolution for each input signal component is 8 bit, the maximum clock frequency is 27 MHz. Consequently the SDA 9401 is dedicated for application in high quality digital video systems.

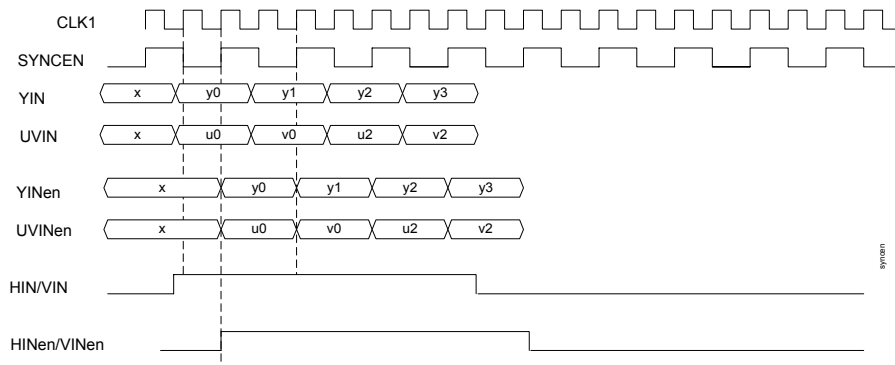
The figure below shows the generation of the internal H- and V-syncs in case of full CCIR 656 mode. The H656 sync is generated after the EAV. The V656 and F656 signals change synchronously with the EAV timing reference code.

Explanation of 656 format



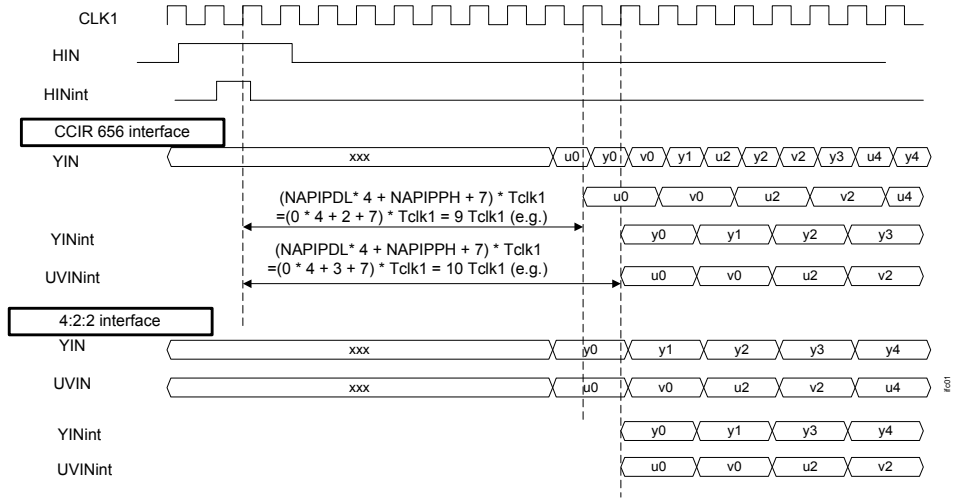
The figure below explains the functionality of the SYNCEN signal. The SDA 9401 needs the SYNCEN (synchronization enable) signal, which is used to gate the YIN, UVIN as well as the HIN and the VIN signal. This is implemented for front-ends which are working with 13.5 MHz and a large output delay time for YIN, UVIN, HIN and VIN (e.g. Micronas VPC32XX, output delay: 35 ns). For this application the half system clock CLK1 (13.5 MHz) from the front-end should be provided at this pin. In case the front-end is working at 27.0 MHz with sync signals having delay times smaller than 25 ns, this input can be set to low level (SYNCEN= V_{SS}) (e.g. Micronas SDA 9206, output delay: 25 ns). Thus the signals YIN, UVIN, HIN and VIN are sampled with the CLK1 system clock when the SYNCEN input is low.

SYNCEN signal



The figure below shows the input timing and the functionality of the NAPIPDL and NAPIPPH parameter in case of CCIR 656 and 4:2:2 parallel data input format for one example. The signals HINint, YINint and UVint are the internal available sampled input signals.

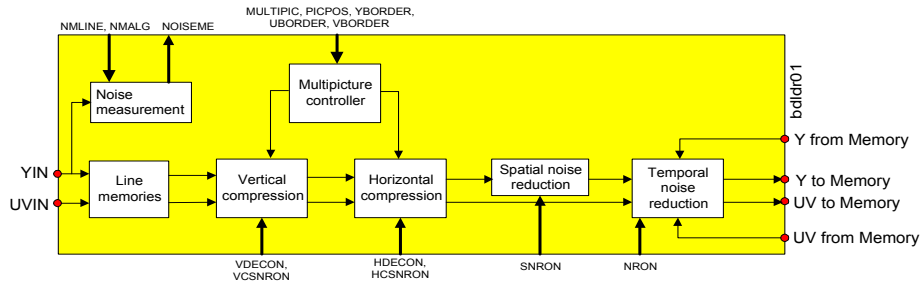
Input timing



6.3 Low data rate processing

The next figure shows the block diagram of the low data rate processing block. The input signal can be vertically and horizontally compressed by a limited number of factors. In case of multipicture mode the internal Multipicture controller will use both compression blocks to control the different modes. Furthermore the input signal can be processed by different noise reduction algorithms to reduce the noise in the signal. The noise measurement block determines the noise level of the input signal.

Block diagram of low data rate processing



The different blocks and the corresponding parameters will be described now in more detail.

6.3.1 Vertical compression

The vertical compression compresses the incoming signal vertically by a constant factor given by the parameter VDECON. For the Y and UV signal different filter characteristics are used. The vertical compression can be switched off. For the multipicture modes the factors VDECON 2, 3 and 4 are necessary. Different filter characteristics are used for the factors 3 and 4. High quality vertical compression for double window applications is possible, because the filter characteristic is optimized for the factor 1.5.

The table below shows the relation between the parameter VDECON and the compression factor.

Input write parameter: VDECON

VDECON (1Ch)	
0	Vertical compression off
1	Factor 1.25
2	Factor 1.5
3	Factor 1.75
4	Factor 2.0
5	Factor 3.0
6	Factor 4.0
7	not defined

Inside the SDA 9401 the number of active lines per field depends on the chosen vertical compression factor VDECON (see also *chapter Output sync controller (OSC)* on page 29).

6.3.2 Horizontal compression

The horizontal compression compresses the incoming signal horizontally by a constant factor. For the Y and UV signal the same filter characteristics are used. The horizontal compression can be switched off.

The table below shows the relation between the parameter HDECON and the compression factor.

Input write parameter: HDECON

HDECON (1Ch)	
00	no horizontal compression
01	factor 2
10	factor 4
11	not defined

The APPLIP (Active Pixels Per Line Input, see also *chapter Input sync controller (ISC)* on page 9) value defines the length of an active line. Inside the SDA 9401 the number of active pixels per line is APPL (Active Pixels Per Line) and its value depends on the chosen horizontal compression factor HDECON. The table below explains the connection between APPL and APPLIP (see also *chapter Output sync controller (OSC)* on page 29).

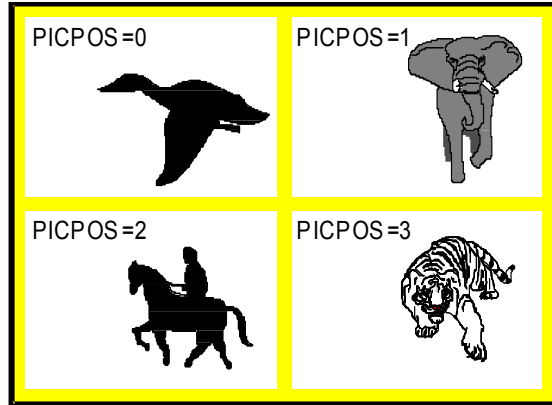
Connection between APPL and APPLIP

Mode	APPL
no horizontal compression (HDECON = '00')	APPLIP
horizontal compression, Factor 2 (HDECON = '01')	$(APPLIP + 1) / 2$
horizontal compression, Factor 4 (HDECON = '10')	$(APPLIP + 3) / 4$
MULTIPIC > '0' (dominant, see also <i>chapter Multipicture display</i> on page 18)	45

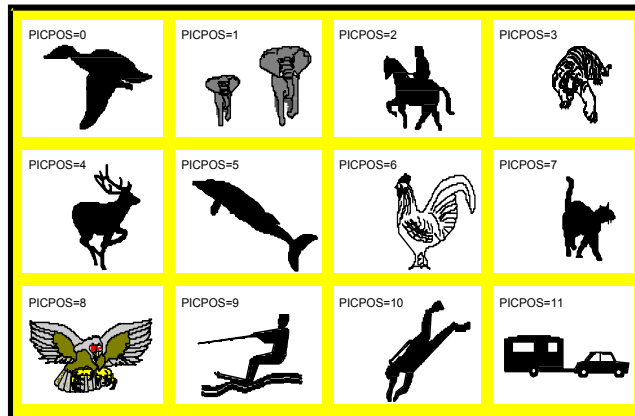
6.3.3 Multipicture display

The figures below show the different “multi picture modes” as they are represented on the display.

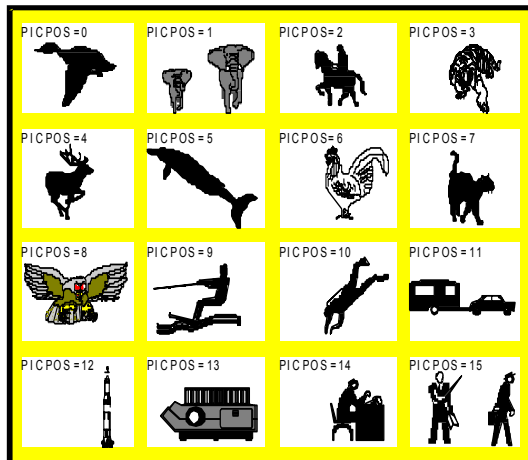
Fourfold multi picture



Twelfefold multi picture



Sixteenfold multi picture



The three different “multi picture modes” can be selected by the parameter MULTIPIC. MULTIPIC=0 defines normal operation without compression. The table below explains the performed compressions depending on the “multi picture mode” and the corresponding aspect ratio of the display.

Input write parameter: MULTIPIC

MULTIPIC (1Bh)	Horizontal compression	Vertical compression	Aspect ratio of the display
00 (Multi Picture Off)	normal operation, no compression		
01 (fourfold)	2 : 1	2 : 1	4 : 3
10 (twelfefold)	4 : 1	3 : 1	16 : 9
11 (sixteenfold)	4 : 1	4 : 1	4 : 3

To get a “multi picture display” the following executions must be performed:

Entering a “multi picture mode” is defined by transmitting a value MULTIPIC>0. This value of MULTIPIC must not be equal to the previous value of MULTIPIC. During the following two fields the memory will be completely filled with a constant colour defined by the parameters YBORDER, UBORDER, VBORDER. This colour is identical to the background and the borders of the multi picture display. The same procedure is performed when the “multi picture mode” changes from a value MULTIPIC>0 to another value MULTIPIC>0. Beginning with the following field the compressed input picture is written at the position PICPOS addressed via I²C-bus. The user has to address all possible positions PICPOS one after the other to build a complete multi picture display. In sequence, the background colour is replaced by the small pictures. The not overwritten areas of the background colour form the borders of the multi picture display.

The pictures can be taken from the same source (‘Shots of a Sequence’) or from different sources (‘Tuner Scanning’). The actual addressed picture is moving until “Freeze mode” is activated.

Before entering “multi picture mode” the “H-and-V-freerunning mode” (see also *chapter Output sync controller (OSC)* on page 29) should be activated via the I²C bus bits HOUTFR and VOUTFR, especially when “Tuner Scanning” will be performed. The “H-and-V-freerunning mode” avoids synchronization problems of the display during changing the tuner channel.

The values of ALPFIP (Active Lines Per Field Input, see also *chapter Input sync controller (ISC)* on page 9), and ALPFOP (Active Lines Per Field Output, see also *chapter Output sync controller (OSC)* on page 29) must be set to 144 or 121, respectively. Only these standard signals corresponding to PAL and NTSC systems are supported. A mixture of PAL and NTSC signals is also possible.

Input write parameter

Parameter	Subaddress	Description
MULTIPIC	1Bh	Defines the multi picture modes
PICPOS	1Bh	Position of the picture in the multi picture mode (only valid for MULTIPIC>0)
YBORDER	17h	Y background value
UBORDER	18h	U background value
VBORDER	18h	V background value

Parameter	Subaddress	Description
FREEZE 1: on 0: off	1Bh	Freeze mode (frozen picture)

Interlaced conversion in multi picture mode

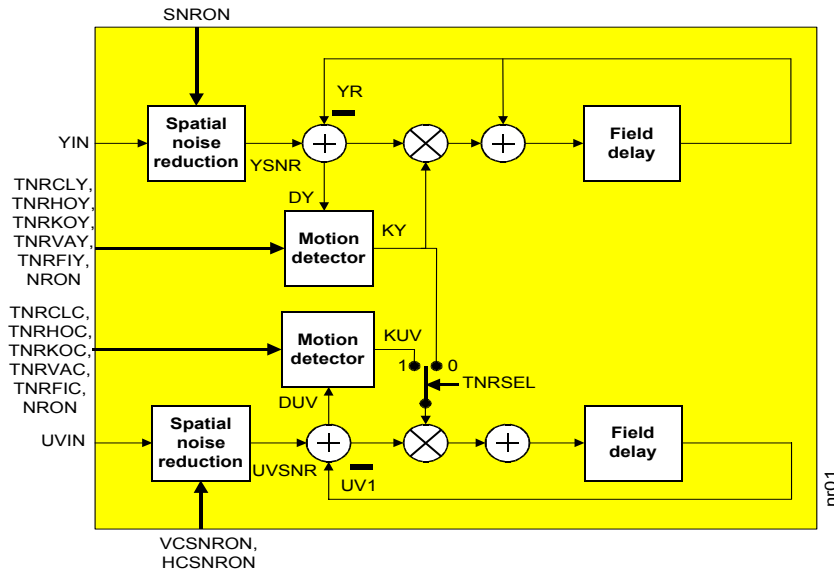
STOPMODE	RMODE	Raster Sequence	Comment
0110 (AAAA mode)	0	αααα (100/120 Hz)	fixed

The borders are fixed to a width of 16 pixels in horizontal direction. In vertical direction the border widths are also fixed, the number of lines, however, depends on the TV standard of the input and the display.

6.3.4 Noise reduction

The figure below shows a block diagram of the spatial and temporal motion adaptive noise reduction (first order IIR filter). The spatial noise reduction of the luminance differs from the spatial noise reduction of the chrominance. The structure of the temporal motion adaptive noise reduction is the same for the luminance as for the chrominance signal.

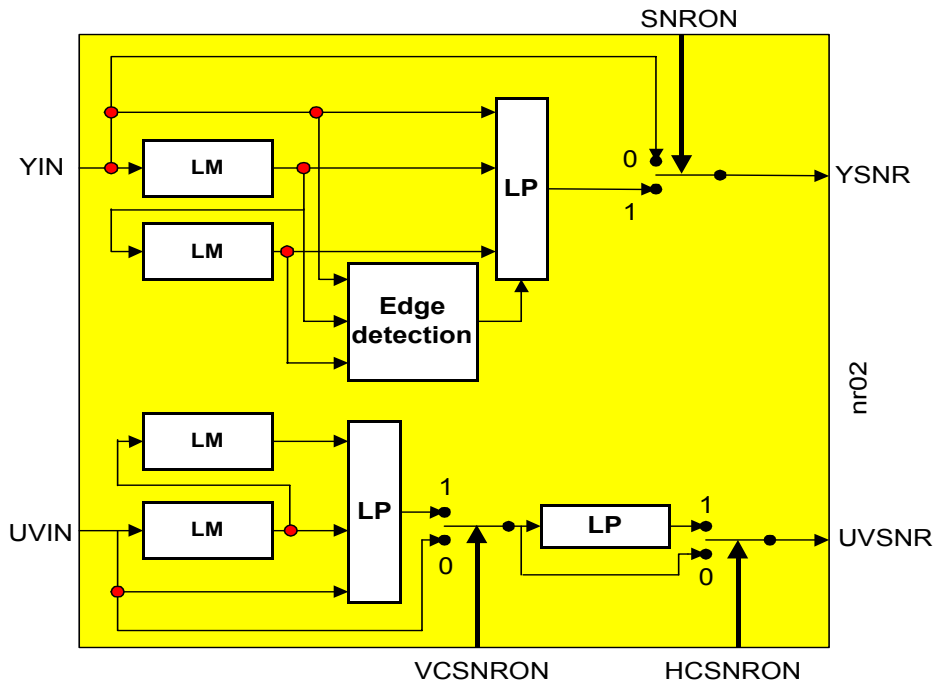
Block diagram of noise reduction



6.3.4.1 Spatial noise reduction

Normally a spatial noise reduction reduces the resolution due to the low pass characteristic of the used filter. Therefore the spatial noise reduction of the SDA 9401 works adaptive on the picture content. The low pass filter process is only executed on a homogeneous area. That's why an edge detection controls the low pass filter process and depending on the result of the edge detection the pixels for the low pass filter are chosen. The next figure shows a block diagram of the spatial noise reduction. For the UV signal only a simple spatial noise reduction algorithm (vertical and/or horizontal low pass filtering) is implemented.

Block diagram of spatial noise reduction



Input write parameter

Parameter	Subaddress	Description
SNRON 1: on 0: off	1Dh	Spatial noise reduction of luminance signal
VCSNRON 1: on 0: off	1Dh	Vertical spatial noise reduction of chrominance
HCSNRON 1: on 0: off	1Dh	Horizontal spatial noise reduction of chrominance

In case of VDECON>0 or HDECON>0 or MULTIPIC>0 (see also *chapter Vertical compression* on page 16, see also *chapter Horizontal compression* on page 17, see also *chapter Multipicture display* on page 18) spatial noise reduction is not possible.

6.3.4.2 Motion adaptive temporal noise reduction

The equation below describes the behaviour of the temporal adaptive noise reduction filter. The same equation is valid for the chrominance signal. Depending on the motion in the input signal, the K-factor K_y (K_{uv}) can be adjusted between 0 (no motion) and 15 (motion) by the motion detector. The K-factor for the chrominance filter can be either K_y (output of the luminance motion detector, TNRSEL=0) or K_{uv} (output of the chrominance motion detector, TNRSEL=1).

Equation for temporal noise reduction (luminance signal)

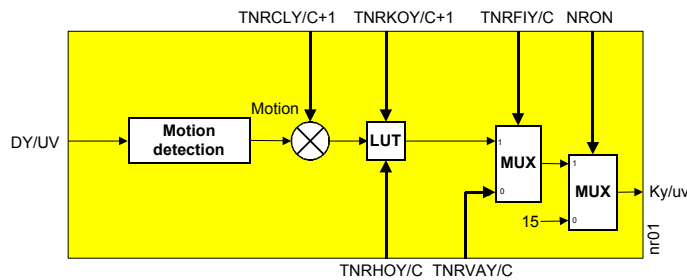
$$YOUT = \left(\frac{1 + Ky}{16}\right)(YSNR - YR) + YR$$

Equation for temporal noise reduction (chrominance signal)

$$UVOUT = \left(\frac{1 + K}{16}\right)(UVSNR - UV1) + UV1; K = (Ky; Kuv)$$

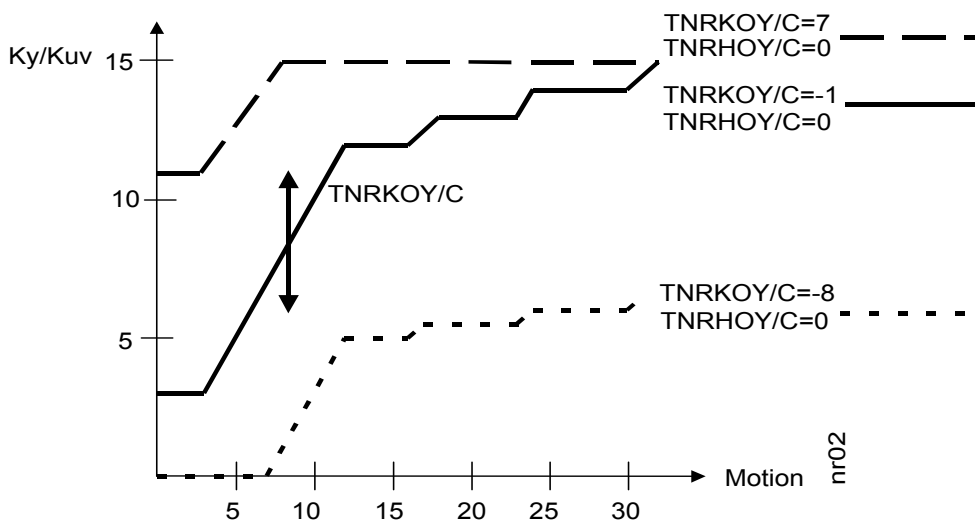
The next figure shows the motion detector in more detail. Temporal noise reduction can be switched off by NRON (NRON=0). The parameter TNRFIY/C switches between a fixed noise reduction K-factor TNRVAY/C (TNRFIY/C=0) or a motion adaptive noise reduction K-factor (TNRFIY/C=1).

Block diagram of motion detector

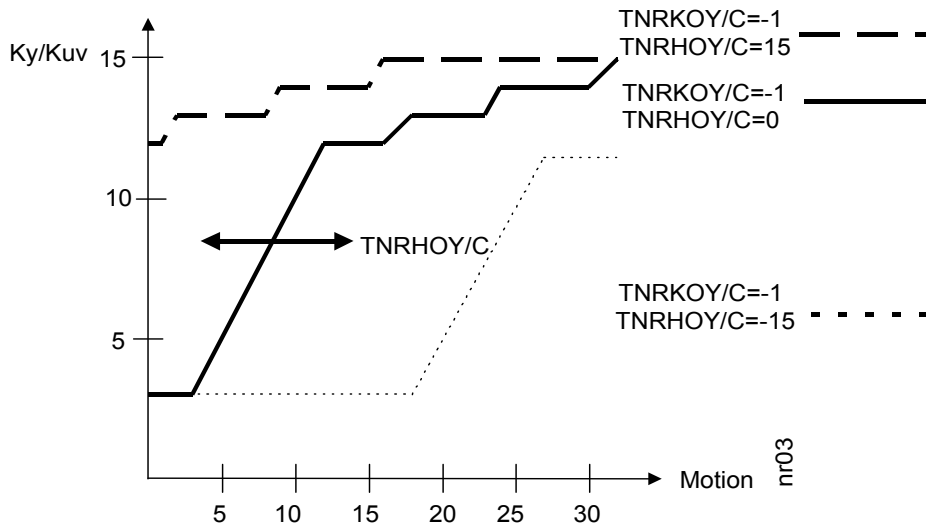


In case of adaptive noise reduction the K-factor depends on the detected “Motion” (see figure above). The “Motion”-Ky/Kuv characteristic curve (LUT) is fixed inside the SDA 9401, but the characteristic curve can be changed by two parameters: TNRHOY/C and TNRKYOY/C. TNRHOY/C shifts the curve horizontally and TNRKYOY/C shifts the curve vertically. For a fixed characteristic curve, the sensitivity of the motion detector is adjustable by TNRCLY/C.

LUT for motion detection I



LUT for motion detection II



Parameter TNRVAY/C

Parameter	0 (minimum value)	15 (maximum value)
TNRVAY/C	strong noise reduction (not motion adaptive, $K_y/K=0$)	no noise reduction (not motion adaptive, $K_y/K=15$)

Parameter TNRHOY/C and TNRKOY/C

Parameter	Range
TNRHOY/C	-32, ..., 31
TNRKOY/C	-8, ..., 7

Parameter TNRCLY

Parameter	0 (minimum value)	15 (maximum value)
TNRCLY/C	maximum sensitivity for motion -> strong noise reduction	minimum sensitivity for motion -> weak noise reduction

Input write parameter

Parameter	Subaddress	Description
TNRSEL 1: separate 0: luminance motion detector	1Dh	Switch for motion detection of temporal noise reduction of chrominance signal

Parameter	Subaddress	Description
TNRFIY/C 1: off 0: on	21h/22h	Switch for fixed K-factor value defined by TNRVAY/C
TNRVAY/C	20h	Fixed K-factor for temporal noise reduction of luminance/chrominance
TNRHOY/C	21h/22h	Horizontal shift of the motion detector characteristic
TNRKOY/C	1Fh	Vertical shift of the motion detector characteristic
TNRCLY/C	1Eh	Classification of temporal noise reduction

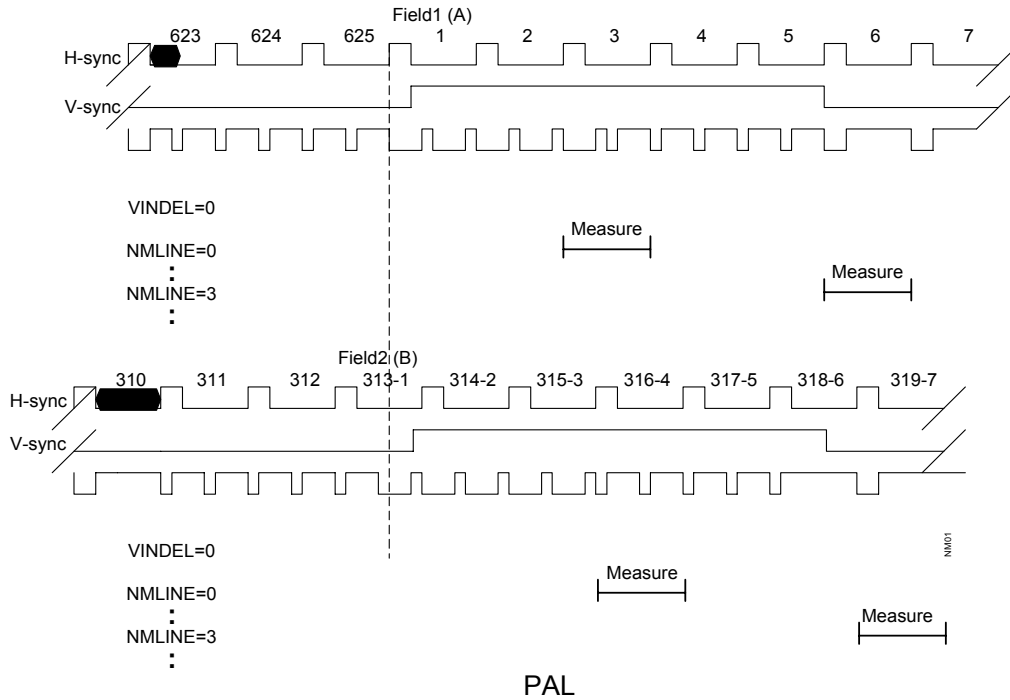
6.3.5 Noise measurement

The noise measurement algorithm can be used to change the parameters of the temporal noise reduction processing depending on the actual noise level of the input signal. This is done by the I²C-bus controller which reads the NOISEME value, and sends depending on this value different parameter sets to the temporal noise reduction registers of the SDA 9401. The NOISEME value can be interpreted as a linear curve from no noise (0) to strong noise (30). Value 31 indicates an overflow status and can be handled in different ways: strong noise or measurement failed.

Two measurement algorithms are included, which can be chosen by the parameter NMALG. In case NMALG=1 the noise is measured during the vertical blanking period in the line defined by NMLINE. For NMALG=0 the noise is measured during the first active line. In both cases the value is determined by averaging over several fields.

The figure below shows an example for the noise measurement. The NMLINE parameter determines the line, which is used in the SDA 9401 for the measurement. In case of VINDEL=0 and NMLINE=0 line 3 of the field A and line 316 of the field B is chosen. In case of VINDEL=0 and NMLINE=3 line 6 of the field A and line 319 of the field B is chosen.

Example of noise measurement



Input write parameter

Parameter	Subaddress	Description
NMALG	1Dh	Noise measurement algorithm 1: measurement during vertical blanking period (measure line can be defined by NMLINE) 0: measurement in the first active line
NMLINE	28h	Line for noise measurement (only valid for NMALG=1)

Input read parameter

Parameter	Subaddress	Description
NOISEME	32h	Noise level of the input signal: 0 (no noise), ... , 30 (strong noise) [31 (strong noise or measurement failed)]
NMSTATUS	33h	Signals a new value for NOISEME 1: a new value can be read 0: current noise measurement not finalized (see also <i>chapter I²C bus format</i> on page 45)

6.4 Clock concept

Input signals

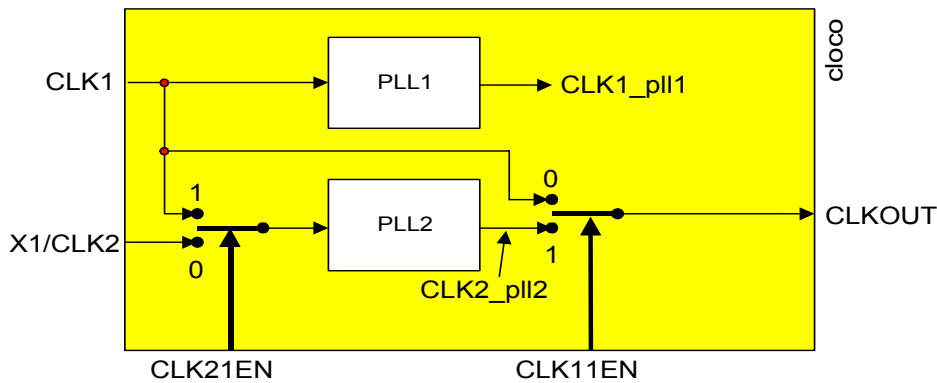
Signals	Pin number	Description
CLK1	54	System clock 1 input
X1/CLK2	28	System clock 2 input

Output signals

Signals	Pin number	Description
CLKOUT	26	Clock output

The SDA 9401 supports different clock concepts. In chapter 10 (see also *chapter Application information* on page 65) a typical application of the circuit is shown. The front-end clock is connected to CLK1 input. The CLKOUT pin is connected to the back-end and the X1/CLK2 input is connected to a crystal oscillator. The next figure explains the different clock switches, which may be used for the separate modes (see also page 31, “Ingenious configurations of the HOUT and VOUT generator”).

Clock concept



Clock concept switching matrix

CLK11EN (19h)	CLK21EN (19h)	CLKOUT
0	1	CLK1
0	0	not allowed
1	X	CLK2_pll2

Clock	Used in block
CLK1_pll1	ISC, IFC, LDR, ED, MC, LM, I ² C
CLK2_pll2	OSC, HDR, ED, MC, LM, OFC

Input write parameter

Parameter	Subaddress	Description
PLL1OFF 1: off 0: on	02h	PLL 1 on or off
PLL1RA	09h,0Ah	PLL range, only for test purposes
PLL2OFF 1: off 0: on	16h	PLL 2 on or off
PLL2RA	19h	PLL range, only for test purposes
CLKOUTON 1: enabled 0: disabled	16h	Output of system clock

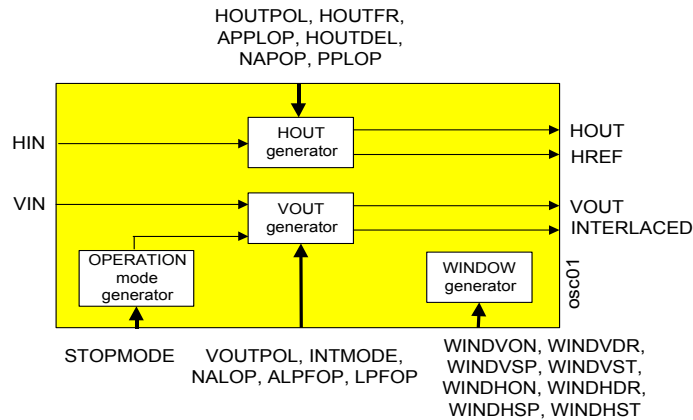
6.5 Output sync controller (OSC)

Output signals

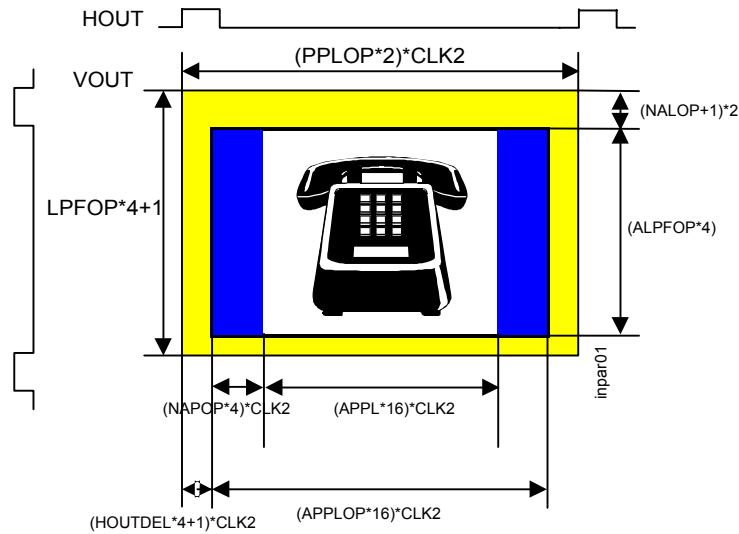
Signals	Pin number	Description
HOUT	60	horizontal synchronization signal (polarity programmable, I ² C bus parameter 14h HOUTPOL, default: high active)
VOUT	61	vertical synchronization signal (polarity programmable, I ² C bus parameter 14h VOUTPOL, default: high active)
HREF	62	horizontal active video output
INTERLACED	18	interlaced signal (can be used for AC coupled deflection circuits)

The output sync controller generates horizontal and vertical synchronization signals for the scan rate converted output signal. The figures below show the block diagram of the OSC and the existing parameters.

Block diagram of OSC



Output parameter



Output write parameter

Parameter [Default value]	Subaddress	Description
NALOP [22]	0Bh	Not Active Line OutPut defines the number of lines from the V-Sync to the first active line of the output frame
ALPFOP [144]	0Ch	Active Lines Per Field OutPut defines the number of active lines per output frame
LPFOP [156]	0Dh	Lines Per Frame OutPut defines the number of lines per output frame (only valid for VOUTFR=1)
HOUTDEL [4]	0Fh	HOUT DELay defines the number of pixels from the H-Sync to the first active pixel
NAPOP [0]	0Eh	Not Active Pixel OutPut defines the number of not active pixels (e.g. coloured border values)
APPLOP [45]	10h	Active Pixels Per Line OutPut defines the number of pixels per line including border pixels
APPL	internal	Active Pixels Per Line defines the number of active pixels (see also <i>Horizontal compression</i> on page 17, APPLIP)
PPLOP [432]	11h, 12h	Pixel Per Line OutPut defines the number of pixels between two consecutive H-Syncs (only valid for HOUTFR=1)

The next paragraphs describe the HOUT and VOUT generator in more detail. Both generators have a so called “locked-mode” and “freerunning-mode”. Not all combinations of the modi make sense. The table below shows ingenious configurations.

Ingenious configurations of the HOUT and VOUT generator

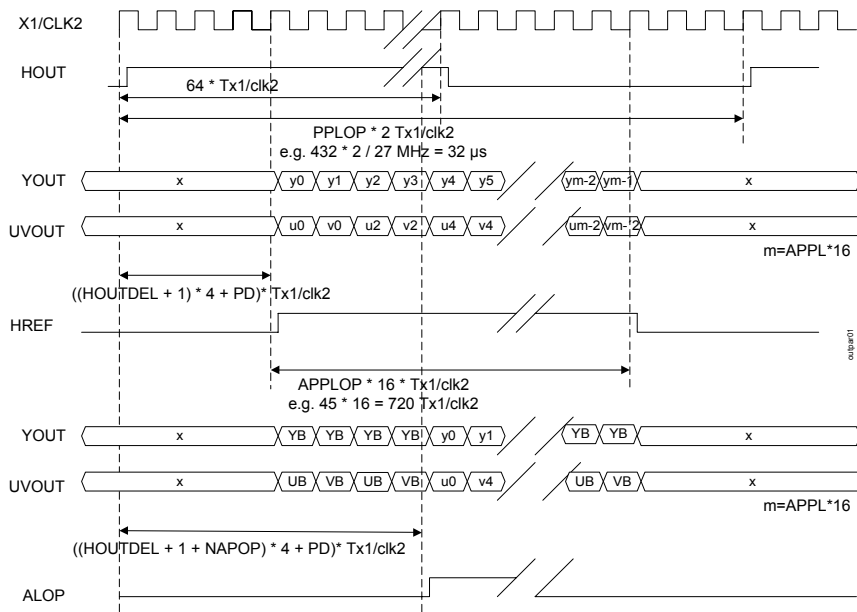
Mode	HOUTFR	VOUTFR	CLK11EN	CLK21EN
“H-and-V-locked”	0	0	1	1
“H-freerunning-V-locked”	1	0	1	0
“H-and-V-freerunning”	1	1	1	0

6.5.1 HOUT generator

The HOUT generator has two operation modes, which can be selected by the parameter HOUTFR. The HOUT signal is active high (HOUTPOL=0) for 64 clock cycles ($X1/CLK2$). In the freerunning-mode the HOUT signal is generated depending on the PPLOP parameter. In the locked-mode the HOUT signal is locked on the incoming H-Sync signal HIN. The polarity of the HOUT signal is programmable by the parameter HOUTPOL.

The HREF signal marks the active part of a line. The figure below shows the timing relation of the HOUT and the HREF signal. The distance is programmable by the parameter HOUTDEL. PD means processing delay of the internal data processing ($PD=36 X1/CLK2$ clocks). The length of the active part is determined by the parameter APPLOP. If the number of the active pixels (internal parameter APPL, see also *Horizontal compression* on page 17) is smaller than the number of the displayed pixels (e.g. displaying a 4:3 source on a 16:9 screen), a coloured border can be defined using the NAIPOP parameter. The border colour is defined by the parameters YBORDER, UBORDER and VBORDER. To avoid transition artifacts of digital filters the number of active pixels per line (parameter APPL) can be symmetrically reduced using the CAPP parameter. The figure below shows also the internal signal ALOP, which marks the active pixels of the line.

Timing diagram of output signals



Output write parameter

Parameter	Subaddress	Description
HOUTFR 1: freerun 0: locked mode	14h	HOUT generator mode select
YBORDER	17h	Y border value (four MSB of the 8 bit colour)
UBORDER	18h	U border value (four MSB of the 8 bit colour)
VBORDER	18h	V border value (four MSB of the 8 bit colour)
CAPP 00: k = 0 01: k = 8 10: k = 16 11: k = 24	10h	Reducing factor for the Active Pixels Per Line Value (APPL) Number of active pixels per line = $16 * APPL - 2*k$

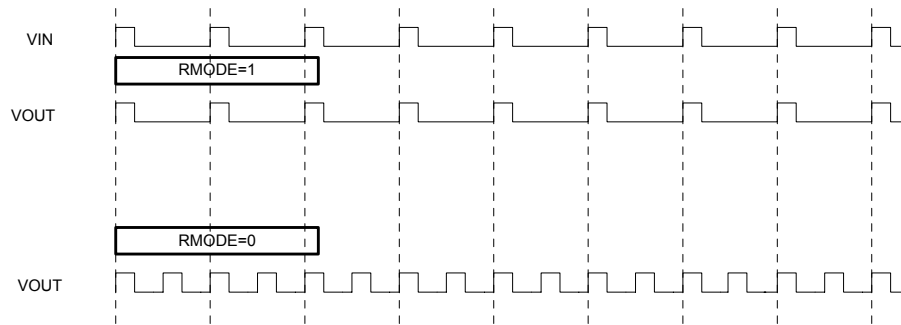
6.5.2 VOUT generator

The VOUT generator has two operation modes, which can be selected by the parameter VOUTFR. The VOUT signal is active high (VOUTPOL=0) for two output lines. In the freerunning-mode the VOUT signal is generated depending on the LPFOP parameter.

In the locked-mode the VOUT signal is synchronized by the incoming V-Sync signal VIN (means the internal VIN delayed by the parameter OPDEL, see also *Input sync controller (ISC)* on page 9). The RMODE parameter (raster mode 1: progressive, 0: interlaced) determines the scan rate conversion

mode. The figure below shows the two cases. If RMODE=1, then for each incoming V-sync signal VIN an outgoing V-sync signal VOUT has to be generated (50 Hz interlaced to 50 Hz progressive scan rate conversion). If RMODE=0, then during one incoming V-Sync signal, two VOUT pulses have to be generated (50 Hz interlaced to 100 Hz interlaced scan rate conversion).

Examples for VOUT generation depending on parameter RMODE



The VOUT signal has a delay of two CLKOUT clocks to the HOUT signal or in case of interlaced a delay of a half line plus two CLKOUT clocks.

Output write parameter

Parameter	Subaddress	Description
VOUTFR 1: freerun 0: locked mode	14h	VOUT generator mode select
RMODE 1: progressive 0: interlaced	14h	Raster mode

Switching from H-and-V-freerunning to H-and-V-locked mode

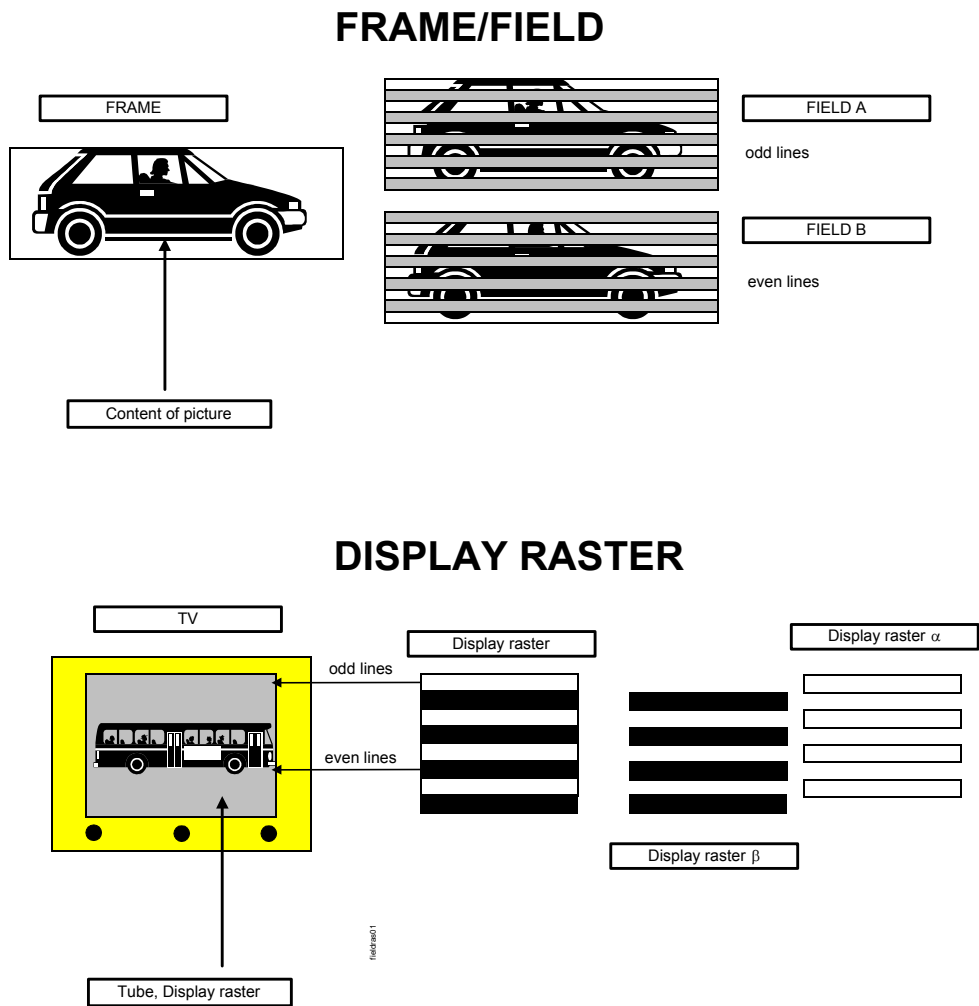
In H-and-V-freerunning mode, generally, the phase of the generated synchronization raster has no correlation to the input raster. A hard switch from the H-and-V-freerunning mode to the H-and-V-locked mode therefore would cause visible synchronization artefacts. To avoid these problems the SDA 9400 enlarges the line and the field lengths of the output sync signals HOUT and VOUT in a defined procedure to enable an invisible synchronization of the freerunning output to the input.

For vertical synchronization the maximum synchronization time is 260 ms for interlaced and 520 ms for progressive display modes. Horizontal synchronization is performed in a maximum time of 50 ms. To get the best performance it is recommended to change at first the vertical and after the mentioned delay times the horizontal mode from free running to locked.

6.5.3 Operation mode generator

The VOUT generator determines the VOUT signal. For proper operation of the VOUT generator information about the raster sequence is necessary. The parameter STOPMODE (Static operation mode) defines the raster sequence and the scan rate conversion algorithm. The figure below explains the used wording for the following explanations.

Explanations of field and display raster



The interlaced input signal (e.g. 50 Hz PAL or 60 Hz NTSC) is composed of a field A (odd lines) and a field B (even lines).

A^n - Input signal, field A at time n,

B^n - Input signal, field B at time n

The field information describes the picture content. The output signal, which could contain different picture contents (e.g. field A, field B) can be displayed with the display raster α or β .

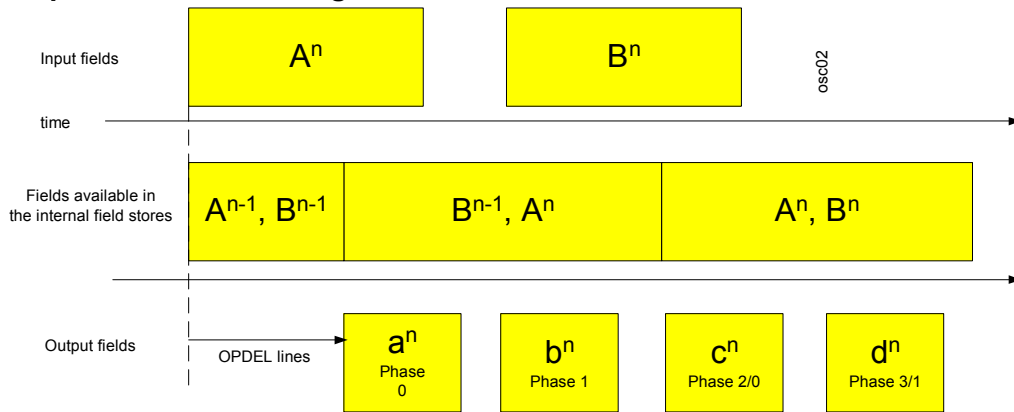
(A^n, α) - Output signal, field A at time n, displayed as raster α ,

- (A^n, β) - Output signal, field A at time n, displayed as raster β ,
- $((A^*)^n, \beta)$ - Output signal, field A raster interpolated into field B at time n, displayed as raster β
- $(A^n B^{n-1}, \alpha + \beta)$ - Output signal, frame AB at time n, progressive

The table below describes the different scan rate conversion algorithms and the corresponding raster sequences. The delay between the input field and the corresponding output fields depends on the OPDEL parameter and the default value for the delay is an half input field.

The INTERLACED signal can be used for AC-coupled deflections. Depending on the parameter INTMODE the value of this signal will be generated. The table below shows also the definition of this signal.

Explanation of operation mode timing



Static operation modes

STOPMODE	Scan rate conversion algorithm	Input field A		Input field B		RMODE
		Output field a^n phase 0	Output field b^n phase 1	Output field c^n phase 2/0	Output field d^n phase 3/1	
0000	not defined	x	x	x	x	0
0001	AA*B*B mode I interlaced	$(A^*)^n, \beta$ INTMODE(3)	A^n, α INTMODE(0)	B^n, β INTMODE(1)	$(B^*)^n, \alpha$ INTMODE(2)	0
0010	AABB mode I interlaced	A^n, α INTMODE(0)	A^n, α INTMODE(0)	B^n, β INTMODE(1)	B^n, β INTMODE(1)	0
0100	Multipicture mode I	A^n, β INTMODE(0)	A^n, α INTMODE(0)	A^n, β INTMODE(0)	A^n, α INTMODE(0)	0
0101	Multipicture mode II	B^{n-1}, β INTMODE(1)	B^{n-1}, α INTMODE(1)	B^n, β INTMODE(1)	B^n, α INTMODE(1)	0
0110	AAAA mode	A^n, α INTMODE(0)	A^n, α INTMODE(0)	A^n, α INTMODE(0)	A^n, α INTMODE(0)	0
0111	BBBB mode	B^{n-1}, β INTMODE(0)	B^{n-1}, β INTMODE(0)	B^n, β INTMODE(0)	B^n, β INTMODE(0)	0
1000	not defined	x	x	x	x	0

STOPMODE	Scan rate conversion algorithm	Input field A		Input field B		RMODE
		Output field a ⁿ phase 0	Output field b ⁿ phase 1	Output field c ⁿ phase 2/0	Output field d ⁿ phase 3/1	
1001	AA*B*B mode II interlaced	$(B^*)^{n-1}, \alpha$ INTMODE(2)	B^{n-1}, β INTMODE(1)	A^{n+1}, α INTMODE(0)	$(A^*)^{n+1}, \beta$ INTMODE(3)	0
1010	AABB mode II interlaced	B^{n-1}, β INTMODE(1)	B^{n-1}, β INTMODE(1)	A^{n+1}, α INTMODE(0)	A^{n+1}, α INTMODE(0)	0
1011,11xx	not defined	x	x	x	x	0
0000	not defined	x	x	x	x	1
0001	AA* mode I progressive	$(A^n A^{*n}, \alpha+\beta)$		$(B^{*n} B^n, \alpha+\beta)$		1
0010	not defined	x	x	x	x	1
0101	AA* mode II progressive	$(A^n A^{*n}, \alpha+\beta)$		$(A^n A^{*n}, \alpha+\beta)$		1
0111	B*B mode progressive	$(B^{n-1} B^{*n-1}, \alpha+\beta)$		$(B^n B^{*n}, \alpha+\beta)$		1
0011,0100,0110	not defined	x	x	x	x	1
1000	Test Mode (motion adaptive mode interlaced, DL)	$A^n A^{*n}, \alpha+\beta / \alpha+\beta)$		$B^{*n} B^n, a+b / \alpha+\beta)$		1
1xxx	not defined	x	x	x	x	1

The table below shows all possible display raster sequences for the different static operation modes and the line per field value between two consecutive output V-Syncs. It is assumed, that in case of freerunning-mode LPFOP=156 and in the locked mode the number of lines of the incoming field is 312.5.

Display raster sequence for RMODE=1 (progressive)

Display raster sequence	1. to 2.	2. to 3. (1.)
$\alpha+\beta$	625	625

Display raster sequence for RMODE=0 (interlaced)

Display raster sequence	1. to 2.	2. to 3.	3. to 4.	4. to 5.(1.)
$\alpha\alpha\alpha\alpha$	312	313	312	313

Display raster sequence	1. to 2.	2. to 3.	3. to 4.	4. to 5.(1.)
ββββ	313	312	313	312
ααββ	312	312.5	313	312.5
ββαα	313	312.5	312	312.5
α+β/α+β (test mode only)	625.5	624.5	625.5	624.5

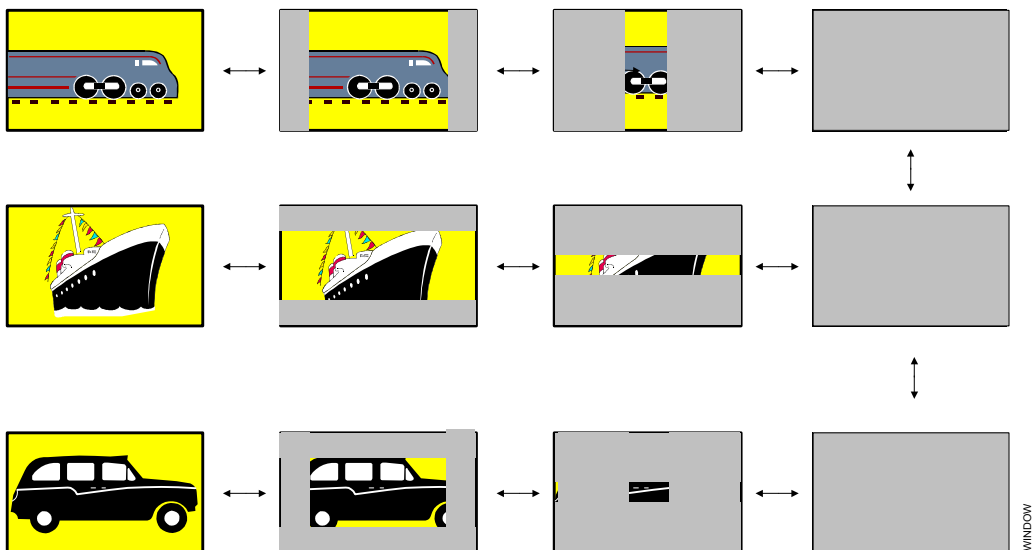
Output write parameter

Parameter	Subaddress	Description
STOPMODE	12h	Static operation modes
INTMODE	13h, 14h	Free programmable INTERLACED signal for AC-coupled deflection stages

6.5.4 Window generator

The figures below show the functionality of the horizontal and/or vertical window function. The actual TV display can be overwritten with a constant value (defined by YBORDER, UBORDER, VBORDER), which is called “closing” or the constant value can be overwritten with the actual TV signal, which is called “opening”. For the generation some parameters exist, which will be explained in more detail afterwards.

Examples for window feature



The feature can be enabled by the parameter WINDHON/WINDVON. The parameter WINDHST/WINDVST defines the status of the window (opened or closed). Closed means, that only a constant value is displayed, opened means, that the full TV is displayed. The parameter WINDHDR/WINDVDR defines, what can be done with the window (open the window, close the window).

Output write parameter: WINDHST/WINDVST and WINDHDR/WINDVDR

WINDHST/ WINDVST	Description	WINDHDR/ WINDVDR	Description
0	Window is closed	0	open the window
0	Window is closed	1	window remains closed
1	Window is opened	0	window remains open
1	Window is opened	1	close the window

With each enabling of the window function by the WINDHON/WINDVON parameter, the status of the window will be as defined by the table above, that means the WINDHST/WINDVST parameter is only once interpreted after enabling the window function. To change afterwards the status from “window is close” to “window is open” or vice versa only the WINDHDR/WINDVDR has to be toggled. If for example the status WINDHST/WINDVST=0 and the WINDHDR/WINDVDR=0 the window is closed and will be open after enabling the feature by setting the parameter WINDHON/WINDVON=1. To close the window only the parameter WINDHDR/WINDVDR has to be set to 1. Again to open the window WINDHDR/WINDVDR has to be set to 0.

For example:

After switching on the TV set, the customer should see the window closed and afterwards the window should be opened. Therefore the WINDHST/WINDVST has to be set to “0”, the WINDHDR/WINDVDR has to be set to “1” and the WINDHON/WINDVON has to be set to “1”. So the customer will see first a screen with a colour defined by the I²C parameters YBORDER, UBORDER and VBORDER. Then the WINDHDR/WINDVDR has to be set to “0”, that means the window will be open and the customer will see the chosen TV channel.

The speed of closing or opening the window can be defined by the parameter WINDHSP/WINDVSP. The tables below explain the using of these parameters.

Output write parameter: WINDHSP

windhsp	freerun mode	locked mode	time to close/ open (e.g. 720 active pixel, 10ms per output field)
00	pplop/256	distance/512	~4s
01	pplop/128	distance/256	~2s
10	pplop/64	distance/128	~1s

windhsp	freerun mode	locked mode	time to close/ open (e.g. 720 active pixel, 10ms per output field)
11	pplop/32	distance/64	~0.5s

Distance: Number of pixels in system clocks X1/CLK2 between two output H-Syncs

time to close = time(field) * number of active pixels / (distance/512)

e.g. time to close = 10 ms * 720 / (864/512) = 4,26 s

time to close = time(field) * number of active pixels / (pplop/128)

Output write parameter: WINDVSP

windvsp	freerun mode	locked mode	time to close/ open (e.g. 576 active lines, 10ms per output field)
00	lpfop/128	lpfip/256	~5s
01	lpfop/64	lpfip/128	~2s
10	lpfop/32	lpfip/64	~1s
11	lpfop/16	lpfip/32	~0.5s

LPFIP: Lines per field of the input signal - amount of lines between two input V-Syncs

time to close = time(field(interlaced)/frame(progressive)) * number of active lines / (lpfip/256)

e.g. time to close = 10 ms * 576 / (312/256) = 4.7 s

time to close = time(field) * number of active lines / (lpfop/128)

Output write parameter

Parameter	Subaddress	Description
WINDVON 1: on 0: off	15h	Vertical window feature on or off
WINDVDR 1: close window 0: open window	15h	Direction of the vertical window feature
WINDVST 1: window is opened 0: window is closed	15h	Status of the vertical window feature after enabling the window feature
WINDVSP	15h	Speed of the vertical window feature

Parameter	Subaddress	Description
WINDHON 1: on 0: off	16h	Horizontal window feature on or off
WINDHDR 1: close window 0: open window	16h	Direction of the horizontal window feature
WINDHST 1: window is opened 0: window is closed	16h	Status of the horizontal window feature after enabling the window feature
WINDHSP	16h	Speed of the horizontal window feature
FLASHON 1: on 0: off	17h	Flash of the TV signal (after each output V-Sync the TV signal or the constant background value defined by YBORDER, UBORDER, VBORDER is displayed)

6.6 Output format conversion (OFC)

Output signals

Signals	Pin number	Description
YOUT0...7	7, 6, 5, 4, 3, 1, 64, 63	luminance output
UVOUT0...7	17, 16, 15, 14, 13, 12, 11, 10	chrominance output

The SDA 9401 supports at the output side only the sample frequency relations of Y : (B-Y) : (R-Y): 4:2:2. The representation of the samples of the chrominance signal is programmable as positive dual code (unsigned, parameter TWOOUT=0) or two's complement code (TWOOUT=1, see also *I²C bus format* on page 45, *I²C bus parameter 17h*).

Output data format

Data Pin	4:2:2 Parallel	
YIN7	Y ₀₇	Y ₁₇
YIN6	Y ₀₆	Y ₁₆
YIN5	Y ₀₅	Y ₁₅
YIN4	Y ₀₄	Y ₁₄
YIN3	Y ₀₃	Y ₁₃
YIN2	Y ₀₂	Y ₁₂
YIN1	Y ₀₁	Y ₁₁
YIN0	Y ₀₀	Y ₁₀

Data Pin	4:2:2 Parallel	
UVIN7	U ₀₇	V ₀₇
UVIN6	U ₀₆	V ₀₆
UVIN5	U ₀₅	V ₀₅
UVIN4	U ₀₄	V ₀₄
UVIN3	U ₀₃	V ₀₃
UVIN2	U ₀₂	V ₀₂
UVIN1	U ₀₁	V ₀₁
UVIN0	U ₀₀	V ₀₀

X ab: X: signal component a: sample number b: bit number

6.7 High data rate processing (HDR)

The output signal can be vertically expanded. The expansion as well as the different scan rate conversion algorithms are processed in the HDR block. For the vertical expansion line memories are used. If the operation frequency X1/CLK2 is higher than 27 MHz plus 10%, the line memories will not work correctly any more. In this case only simple processing will be possible. Simple processing means, that the vertical expansion must be disabled.

The table below defines the internal expansion factor ZOOM depending on the RMODE and VERINT parameter.

Output write parameter: VERINT

VERINT	RMODE	ZOOM
I ² C-bus parameter	0	2*(VERINT+1)
I ² C-bus parameter	1	(VERINT+1)

The reachable expansion factors are listed in the table below in case of VDECON=0 and VDECON=2 (vertical compression of the input signal with factor 1.0 and 1.5).

Examples of reachable expansion factors

	100/120 Hz interlaced RMODE=0	50/60 Hz progressive RMODE=1	real vertical expansion factor	real vertical expansion factor
VERINT	ZOOM	ZOOM	VDECON=0	VDECON=2
63	128	64	1.00	0.75
62	126	63	1.02	0.76
61	124	62	1.03	0.77
60	122	61	1.05	0.79
59	120	60	1.07	0.80
58	118	59	1.08	0.81
57	116	58	1.10	0.83
56	114	57	1.12	0.84
55	112	56	1.14	0.86
54	110	55	1.16	0.87
53	108	54	1.19	0.89
52	106	53	1.21	0.91
51	104	52	1.23	0.92
50	102	51	1.25	0.94
49	100	50	1.28	0.96
48	98	49	1.31	0.98
47	96	48	1.33	1.00
46	94	47	1.36	1.02
45	92	46	1.39	1.04
44	90	45	1.42	1.07
43	88	44	1.45	1.09
42	86	43	1.49	1.12
41	84	42	1.52	1.14
40	82	41	1.56	1.17
39	80	40	1.60	1.20
38	78	39	1.64	1.23
37	76	38	1.68	1.26
36	74	37	1.73	1.30
35	72	36	1.78	1.33
34	70	35	1.83	1.37
33	68	34	1.88	1.41
32	66	33	1.94	1.45
31	64	32	2.00	1.50
30	62	31	2.06	1.55
29	60	30	2.13	1.60
28	58	29	2.21	1.66
27	56	28	2.29	1.71

	100/120 Hz interlaced RMODE=0	50/60 Hz progressive RMODE=1	real vertical expansion factor	real vertical expansion factor
VERINT	ZOOM	ZOOM	VDECON=0	VDECON=2
26	54	27	2.37	1.78
25	52	26	2.46	1.85
24	50	25	2.56	1.92
23	48	24	2.67	2.00
22	46	23	2.78	2.09
21	44	22	2.91	2.18
20	42	21	3.05	2.29
19	40	20	3.20	2.40
18	38	19	3.37	2.53
17	36	18	3.56	2.67
16	34	17	3.76	2.82
15	32	16	4.00	3.00
14	30	15	4.27	3.20
13	28	14	4.57	3.43
12	26	13	4.92	3.69
11	24	12	5.33	4.00
10	22	11	5.82	4.36
9	20	10	6.40	4.80
8	18	9	7.11	5.33
7	16	8	8.00	6.00
6	14	7	9.14	6.86
5	12	6	10.67	8.00
4	10	5	12.80	9.60
3	8	4	16.00	12.00
2	6	3	21.33	16.00
1	4	2	32.00	24.00
0	2	1	64.00	48.00

The parameter VPAN can be used to select the start line of the expansion. To expand the upper part of the incoming signal with the factor 2.0, VPAN should be set to zero. To expand the lower part, VPAN should be equal to 144. That means in case of VPAN=0 the first used line is line 1 and in case of VPAN=144 the first used line is line 144.

Dependent on the parameter VERINT a certain number of input lines of the input field is required. Therefore not all VPAN values are allowed. The formula below can be used to calculate the maximum allowed VPAN value depending on the chosen VERINT value.

Calculation of maximum VPAN value

$$VPAN_{max} = \left\lfloor 2 \times ALPFOP \times \left(1 - \frac{(VERINT + 1)}{64} \right) \right\rfloor$$

Floor symbol means: take only integer part of x

$\lfloor x \rfloor$

Output write parameter

Parameter	Subaddress	Description
VERINT	13h	Vertical expansion factor
VPAN	1Ah	Vertical adjustment of the output picture

6.8 I²C bus

6.8.1 I²C bus slave address

Write Address: BCh

1	0	1	1	1	1	0	0
---	---	---	---	---	---	---	---

Read Address: BDh

1	0	1	1	1	1	0	1
---	---	---	---	---	---	---	---

6.8.2 I²C bus format

The SDA 9401 I²C bus interface acts as a slave receiver and a slave transmitter and provides two different access modes (write, read). All modes run with a subaddress auto increment. The interface supports the normal 100 kHz transmission speed as well as the high speed 400 kHz transmission.

write:

S	1	0	1	1	1	1	0	0	A	Subaddress	A	Data Byte	A	*****	A	P
---	---	---	---	---	---	---	---	---	---	------------	---	-----------	---	-------	---	---

- S: Start condition
- A: Acknowledge
- P: Stop condition
- NA: Not Acknowledge

read:

S	1	0	1	1	1	1	0	0	A	Subaddress	A	S	1	0	1	1	1	0	1	A	Data Byte	A
Data Byte		NA	P																			

The transmitted data are internally stored in registers. The master has to write a don't care byte to the subaddress FFh (store command) to make the register values available for the SDA 9401. To have a defined time step, where the data will be available, the data are made valid with the incoming V-sync VIN or with the next OPSTART pulse, which is an internal signal and indicates the start of a new output cycle. The subaddresses, where the data are made valid with the VIN signal are indicated in the overview of the subaddresses with „VI“, where the data are made valid with the OPSTART are indicated with „OS“. The I²C parameter VISTATUS and OSSTATUS (subaddress 33h) reflect the state of the register values. If these bits are read as '0', then the store command was sent, but the data aren't made available yet. If these bits are '1' then the data were made valid and a new write or read cycle can start. The bits VISTATUS and OSSTATUS may be checked before writing or reading new data, otherwise data can be lost by overwriting.

Furthermore the bit NMSTATUS (status of noise measurement: NOISEME). NMSTATUS signalizes a new value for NOISEME. So if NMSTATUS is read as '0' the current noise measurement has not

SDA 9401

been finalized. If the NMSTATUS is read as '1' a new noise measurement value can be read.

After switching on the IC, all bits of the SDA 9401 are set to defined states. Particularly :

Subaddress	Default value	R/W	Take over	Subaddress	Default value	R/W	Take over
00	11h	W	VI	15	00h	W	OS
01	00h	W	VI	16	04h	W	OS
02	50h	W	VI	17	14h	W	OS
03	90h	W	VI	18	88h	W	OS
04	00h	W	VI	19	0Ch	W	OS
05	B4h	W	VI	1A	00h	W	OS
06	AAh	W	VI	1B	00h	W	VI
07	00h	W	VI	1C	01h	W	VI
08	00h	W	VI	1D	03h	W	VI
09	00h	W	VI	1E	FFh	W	VI
0A	00h	W	VI	1F	00h	W	VI
0B	16h	W	OS	20	FFh	W	VI
0C	90h	W	OS	21	02h	W	VI
0D	9Ch	W	OS	22	02h	W	VI
0E	00h	W	OS	23...27	not used		
0F	04h	W	OS	28	22h	W	VI
10	B4h	W	OS	29...31	not used		
11	B0h	W	OS	32		R	
12	90h	W	OS	33		R	
13	3Fh	W	OS	34...FE	not used		
14	00h	W	OS	FF		W	

R/W: R - Read Register; W - Write Register; R/W - Read and Write Register;

Take over: VI - take over with VIN; OS- take over with OPSTART

Reading the "Read only" register 32h must be followed by reading the "Read only" register 33h.

6.8.3 I²C bus commands

Subadd. (Hex.)	Data Byte							
	D7	D6	D5	D4	D3	D2	D1	D0
00	FORMAT1 ISC/IFC	FORMAT0 ISC/IFC	FIEINV ISC	VCRM0DE ISC	PIM0DE ISC	NAPIPPH1 ISC	NAPIPPH0 ISC	TWOIN ISC/IFC
01	VINDEL5 ISC	VINDEL4 ISC	VINDEL3 ISC	VINDEL2 ISC	VINDEL1 ISC	VINDEL0 ISC	VINPOL ISC	HINPOL ISC
02	NALIP5 ISC	NALIP4 ISC	NALIP3 ISC	NALIP2 ISC	NALIP1 ISC	NALIP0 ISC	PLL1OFF PLL1	REFRESH MC
03	ALPFIP7 ISC	ALPFIP6 ISC	ALPFIP5 ISC	ALPFIP4 ISC	ALPFIP3 ISC	ALPFIP2 ISC	ALPFIP1 ISC	ALPFIP0 ISC
04	NAPIPDL7 ISC	NAPIPDL6 ISC	NAPIPDL5 ISC	NAPIPDL4 ISC	NAPIPDL3 ISC	NAPIPDL2 ISC	NAPIPDL1 ISC	NAPIPDL0 ISC
05	APPLIP5 ISC	APPLIP4 ISC	APPLIP3 ISC	APPLIP2 ISC	APPLIP1 ISC	APPLIP0 ISC	x	x
06	OPDEL7 ISC	OPDEL6 ISC	OPDEL5 ISC	OPDEL4 ISC	OPDEL3 ISC	OPDEL2 ISC	OPDEL1 ISC	OPDEL0 ISC
07	VERWIDTH7 ISC	VERWIDTH6 ISC	VERWIDTH5 ISC	VERWIDT4 ISC	VERWIDTH3 ISC	VERWIDTH2 ISC	VERWIDTH1 ISC	VERWIDTH0 ISC
08	VERPOS7 ISC	VERPOS6 ISC	VERPOS5 ISC	VERPOS4 ISC	VERPOS3 ISC	VERPOS2 ISC	VERPOS1 ISC	VERPOS0 ISC
09	HORWIDTH5 ISC	HORWIDTH4 ISC	HORWIDTH3 ISC	HORWIDTH2 ISC	HORWIDTH1 ISC	HORWIDT0 ISC	PLL1RA1 PLL1	PLL1RA0 PLL1
0A	HORPOS5 ISC	HORPOS4 ISC	HORPOS3 ISC	HORPOS2 ISC	HORPOS1 ISC	HORPOS0 ISC	PLL1RA3 PLL1	PLL1RA2 PLL1
0B	NALOP7 OSC	NALOP6 OSC	NALOP5 OSC	NALOP4 OSC	NALOP3 OSC	NALOP2 OSC	NALOP1 OSC	NALOP0 OSC
0C	ALPFOP7 OSC	ALPFOP6 OSC	ALPFOP5 OSC	ALPFOP4 OSC	ALPFOP3 OSC	ALPFOP2 OSC	ALPFOP1 OSC	ALPFOP0 OSC
0D	LPFOP7 OSC	LPFOP6 OSC	LPFOP5 OSC	LPFOP4 OSC	LPFOP3 OSC	LPFOP2 OSC	LPFOP1 OSC	LPFOP0 OSC
0E	NAPOP7 OSC	NAPOP6 OSC	NAPOP5 OSC	NAPOP4 OSC	NAPOP3 OSC	NAPOP2 OSC	NAPOP1 OSC	NAPOP0 OSC
0F	HOUTDEL7 OSC	HOUTDEL6 OSC	HOUTDEL5 OSC	HOUTDEL4 OSC	HOUTDEL3 OSC	HOUTDEL2 OSC	HOUTDEL1 OSC	HOUTDEL0 OSC
10	APPLOP5 OSC	APPLOP4 OSC	APPLOP3 OSC	APPLOP2 OSC	APPLOP1 OSC	APPLOP0 OSC	CAPP1 OSC	CAPP0 OSC
11	PPLOP7 OSC	PPLOP6 OSC	PPLOP5 OSC	PPLOP4 OSC	PPLOP3 OSC	PPLOP2 OSC	PPLOP1 OSC	PPLOP0 OSC
12	PPLOP8 OSC	STOPMODE3 OSC	STOPMODE2 OSC	STOPMODE1 OSC	STOPMODE0 OSC	0	0	0
13	INTMODE3 OSC	INTMODE2 OSC	VERINT5 OSC	VERINT4 OSC	VERINT3 OSC	VERINT2 OSC	VERINT1 OSC	VERINT0 OSC
14	INTMODE1 OSC	INTMODE0 OSC	0	RMODE OSC	VOUTFR OSC	HOUTFR OSC	VOUTPOL OSC	HOUTPOL OSC
15	WINDVON OSC	WINDVDR OSC	WINDVST OSC	WINDVSP1 OSC	WINDVSP0 OSC	0	0	0

16	WINDHON OSC	WINDHDR OSC	WINDHST OSC	WINDHSP1 OSC	WINDHSP0 OSC	CLKOUTON PLL2	PLL2OFF PLL2	x
17	YBORDER3 OFC/LDR	YBORDER2 OFC/LDR	YBORDER1 OFC/LDR	YBORDER0 OFC/LDR	FLASHON OFC	TWOOUT OFC	0	0
18	UBORDER3 OFC/LDR	UBORDER2 OFC/LDR	UBORDER1 OFC/LDR	UBORDER0 OFC/LDR	VBORDER3 OFC/LDR	VBORDER2 OFC/LDR	VBORDER1 OFC/LDR	VBORDER0 OFC/LDR
19	PLL2RA3 PLL2	PLL2RA2 PLL2	PLL2RA1 PLL2	PLL2RA0 PLL2	CLK21EN PLL2	CLK11EN PLL2	0	0
1A	VPAN7 MC	VPAN6 MC	VPAN5 MC	VPAN4 MC	VPAN3 MC	VPAN2 MC	VPAN1 MC	VPAN0 MC
1B	MULTIPIC1 LDR/ISC	MULTIPIC0 LDR/ISC	PICPOS3 LDR/MC	PICPOS2 LDR/MC	PICPOS1 LDR/MC	PICPOS0 LDR/MC	FREEZE MC	0
1C	VDECON2 LDR	VDECON1 LDR	VDECON0 LDR	HDECON1 LDR/ISC	HDECON0 LDR/ISC	0	0	1
1D	NRON LDR/MC	SNRON LDR	VCSNRON LDR	HCSNRON LDR	0	0	TNRSEL LDR	NMALG LDR
1E	TNRCLY3 LDR	TNRCLY2 LDR	TNRCLY1 LDR	TNRCLY0 LDR	TNRCLC3 LDR	TNRCLC2 LDR	TNRCLC1 LDR	TNRCLC0 LDR
1F	TNRKOY3 LDR	TNRKOY2 LDR	TNRKOY1 LDR	TNRKOY0 LDR	TNRKOC3 LDR	TNRKOC2 LDR	TNRKOC1 LDR	TNRKOC0 LDR
20	TNRVAY3 LDR	TNRVAY2 LDR	TNRVAY1 LDR	TNRVAY0 LDR	TNRVAC3 LDR	TNRVAC2 LDR	TNRVAC1 LDR	TNRVAC0 LDR
21	TNRHOY5 LDR	TNRHOY4 LDR	TNRHOY3 LDR	TNRHOY2 LDR	TNRHOY1 LDR	TNRHOY0 LDR	TNRFIY LDR	0
22	TNRHOC5 LDR	TNRHOC4 LDR	TNRHOC3 LDR	TNRHOC2 LDR	TNRHOC1 LDR	TNRHOC0 LDR	TNRVIC LDR	0
28	NMLINE4 LDR	NMLINE3 LDR	NMLINE2 LDR	NMLINE1 LDR	NMLINE0 LDR	0	1	x
32	NOISME4 LDR	NOISME3 LDR	NOISEME2 LDR	NOISEME1 LDR	NOISEME0 LDR	VERSION2	VERSION1	VERSION0
33	x	x	x	TVMODE LDR	VISTATUS	OSSTATUS	x	NMSTATUS
FF	x	x	x	x	x	x	x	x

x = don't care

ISC - Input sync controller block

IFC - Input format conversion block

OSC - Output sync controller block

OFC - Output format conversion block

LDR - Low data rate block

HDR - High data rate block

MC - Memory controller

PLL1 - Clock doubling block 1

PLL2 - Clock doubling block 2

6.8.4 Detailed description

Default values are underlined.

Subaddress 00		
Bit	Name	Function
D7...D6	FORMAT	Input format: 11: full CCIR 656 10: CCIR 656 only data, H- and V-sync according CCIR656 01: CCIR 656 only data, H- and V-sync according PAL/NTSC <u>00: 4:2:2</u>
D5	FIEINV	Field polarity inversion: 1: Field A=1, Field B=0 <u>0: Field A=0, Field B=1</u>
D4	VCRMODE	Input filtering of the incoming field signal: <u>1: on</u> 0: off
D3	PIMODE	Picture insert mode (see VERWIDTH, VERPOS, HORWIDTH, HORPOS): 1: on <u>0: off</u>
D2...D1	NAPIPPH (LSBs of NAPLIP)	Number of not active pixels from external HIN to the input data in system clocks of CLK1: Number(HIN to input data) = (NAPIPDL*4+NAPIPPH+8) [<u>NAPIPPH = 0</u>]
D0	TWOIN	Chrominance input format: <u>1: 2's complement input (-128...127)</u> 0: unsigned input (0...255) inside the SDA 9401 the data are always processed as unsigned data

Subaddress 01		
Bit	Name	Function
D7...D2	VINDEL	VIN input delay: Delay(VIN to internal V-sync) = (128 * VINDEL + 1)*Tclk1 [<u>VINDEL = 0</u>]
D1	VINPOL	VIN polarity: 1: low active <u>0: high active</u>
D0	HINPOL	HIN polarity: 1: low active <u>0: high active</u>

Subaddress 02		
Bit	Name	Function
D7...D2	NALIP	Number of not active lines per field in the input data stream: Not active lines = NALIP+3 [NALIP= 20]
D1	PLL1OFF	PLL1 switch: 1: off 0: on
D0	REFRESH	Internal refresh: 1: on 0: off

Subaddress 03		
Bit	Name	Function
D7...D0	ALPFIP	Number of active lines per field in the input data stream: Active lines = ALPFIP * 2 [ALPFIP=144]

Subaddress 04		
Bit	Name	Function
D7...D0	NAPIPDL (MSBs of NAPLIP)	Number of not active pixels from HIN to the input data in system clocks of CLK1: Number(HIN to input data) = (4 * NAPIPDL + NAPIPPH + 8) [NAPIPDL= 0]

Subaddress 05		
Bit	Name	Function
D7...D2	APPLIP	Number of active pixels per line in the input data stream in system clocks of CLK1: Active pixels = APPLIP*32 [APPLIP = 45] Inside the SDA 9401 the number of active pixels per line is APPL*32, with APPL = APPLIP, MULTIPIC = 0 and HDECON = 0 (APPLIP + 1)/2, MULTIPIC = 0 and HDECON = 1 (APPLIP + 3)/4, MULTIPIC = 0 and HDECON = 2 45, MULTIPIC > 0
D1...D0	x	x

Subaddress 06		
Bit	Name	Function
D7...D0	OPDEL	Output processing delay (in number of lines): Delay(VIN to VOUT) = (OPDEL + 1) * Tline [OPDEL = 170]

Subaddress 07		
Bit	Name	Function
D7...D0	VERWIDTH	Vertical width of inserted picture in input lines: Vertical width = (2 * VERWIDTH) [VERWIDTH = 0]

Subaddress 08		
Bit	Name	Function
D7...D0	VERPOS	Vertical position of inserted picture in input lines: Vertical position = (2 * VERPOS) + NALIP + 3 [VERPOS = 0]

Subaddress 09		
Bit	Name	Function
D7...D2	HORWIDTH	Horizontal width of inserted picture in system clocks of CLK1: Horizontal width = (32 * HORWIDTH) [HORWIDTH = 0]
D1...D0	PLL1RA(1...0)	PLL1 range, only for test purposes [PPL1RA=0]

Subaddress 0A		
Bit	Name	Function
D7...D2	HORPOS	Horizontal position of inserted picture in system clocks of CLK1: Horizontal position = (32 * HORPOS) + (4 * NAPIPDL + NAPIPPH + 8) [HORPOS = 0]
D1...D0	PLL1RA(3...2)	PLL1 range, only for test purposes [PPL1RA=0]

Subaddress 0B		
Bit	Name	Function
D7...D0	NALOP	Number of not active lines per frame in the output data stream: Not active lines = $2 * (NALOP + 1)$ [NALOP= 22]

Subaddress 0C		
Bit	Name	Function
D7...D0	ALPFOP	Number of active lines per output frame: Active lines = $4 * ALPFOP$ [ALPFOP= 144]

Subaddress 0D		
Bit	Name	Function
D7...D0	LPFOP	Number of lines per output frame (only valid for VOUTFR=1): Number of lines = $4 * LPFOP + 1$ [LPFOP = 156]

Subaddress 0E		
Bit	Name	Function
D7...D0	NAPOP	Number of not active pixels (coloured border values) from external HREF to the first active pixel of the output data stream in system clocks of X1/CLK2: Distance(HREF to output data) = $(4 * NAPOP)$ [NAPOP = 0]

Subaddress 0F		
Bit	Name	Function
D7...D0	HOUTDEL	HOUT delay: Delay(HOUT to HREF) = $(4 * (HOUTDEL + 1) + 36) * T_{x1}/clk2$ [HOUTDEL = 4]

Subaddress 10		
Bit	Name	Function
D7...D2	APPLOP	Number of active pixels per line (including coloured border values and data) in the output data stream in system clocks of X1/CLK2 (length of HREF): Active pixels = 16 * APPLOP [APPLOP = 45]
D1...D0	CAPP	Reduces the active pixels per line (APPL) at the output side: Active pixels per line at the output side in system clocks of X1/CLK2 = 16 * APPL - 2 * k k = 24: CAPP = 11 16: CAPP = 10 8: CAPP = 01 0: CAPP = 00

Subaddress 11		
Bit	Name	Function
D7...D0	PPLOP(7...0)	Number of pixels between two output H-syncs HOUT (only valid for HOUTFR=1) in system clocks of X1/CLK2 (Bit 7 to 0): Number of pixels = 2 * PPLOP [PPLOP = 432]

Subaddress 12		
Bit	Name	Function
D7	PPLOP(8)	Number of pixels between two output H-syncs HOUT (only valid for HOUTFR=1) in system clocks of X1/CLK2 (Bit 8): Number of pixels = 2 * PPLOP [PPLOP = 432]
D6...D3	STOPMODE	Static operation modes (see also <i>Operation mode generator</i> on page 34): 0010: AABB mode I interlaced
D2...D0		should be set to 000

Subaddress 13		
Bit	Name	Function
D7...D6	INTMODE(3...2)	Free programmable INTERLACED signal for AC coupled deflection stages (Bit 3 and Bit 2) [INTMODE3...2 = 0]

Subaddress 13		
Bit	Name	Function
D5...D0	VERINT	Vertical expansion factor (see also <i>High data rate processing (HDR)</i> on page 41): <u>63: no vertical expansion</u> : 47: vertical expansion with factor 1.5 : 31: vertical expansion with factor 2 :

Subaddress 14		
Bit	Name	Function
D7...D6	INTMODE(1...0)	Free programmable INTERLACED signal for AC coupled deflection stages (Bit 1 and Bit 0) [INTMODE1...0 = 0]
D5		<u>should be set to 0</u>
D4	RMODE	Raster mode: 1: progressive <u>0: interlaced</u>
D3	VOUTFR	VOUT generator: 1: freerunning mode <u>0: locked mode</u>
D2	HOUTFR	HOUT generator 1: freerunning mode <u>0: locked mode</u>
D1	VOUTPOL	VOUT (EXSYN=0), VEXT (EXSYN=1) polarity: 1: low active <u>0: high active</u>
D0	HOUTPOL	HOUT (EXSYN=0), HEXT (EXSYN=1) polarity: 1: low active <u>0: high active</u>

Subaddress 15		
Bit	Name	Function
D7	WINDVON	Vertical window: 1: on <u>0: off</u>
D6	WINDVDR	1: close the vertical window <u>0: open the vertical window</u>

Subaddress 15		
Bit	Name	Function
D5	WINDVST	Status of vertical window after entering vertical window mode: 1: window is opened <u>0: window is closed</u>
D4...D3	WINDVSP	Speed of vertical window (see also <i>Window generator</i> on page 37): 11: very fast 10: fast 01: medium <u>00: slow</u>
D2...D0		<u>should be set to 000</u>

Subaddress 16		
Bit	Name	Function
D7	WINDHON	Horizontal window: 1: on <u>0: off</u>
D6	WINDHDR	1: close the horizontal window <u>0: open the horizontal window</u>
D5	WINDHST	Status of horizontal window after entering horizontal window mode: 1: window is opened <u>0: window is closed</u>
D4...D3	WINDHSP	Speed of horizontal window (see also <i>Window generator</i> on page 37): 11: very fast 10: fast 01: medium <u>00: slow</u>
D2	CLKOUTON	Output of system clock CLKOUT: <u>1: enabled</u> 0: disabled
D1	PLL2OFF	PLL2 switch: 1: off <u>0: on</u>
D0	x	x

Subaddress 17		
Bit	Name	Function
D7...D4	YBORDER	Y border value (Yborder(3) Yborder(2) Yborder(1) Yborder(0) 0 0 0 0 = 00010000 = 16), YBORDER defines the 4 MSB's of a 8 bit value

Subaddress 17		
Bit	Name	Function
D3	FLASHON	Flash of output picture: 1: on 0: off
D2	TWOOUT	Chrominance output format: 1: 2's complement input (-128...127) 0: unsigned input (0...255) inside the SDA 9401 the data are always processed as unsigned data
D1...D0		should be set to 00

Subaddress 18		
Bit	Name	Function
D7...D4	UBORDER	U border value (Uborder(3) Uborder(2) Uborder(1) Uborder(0) 0 0 0 0 = 10000000 = 128), UBORDER defines the 4 MSB's of a 8 bit value
D3...D0	VBORDER	V border value (Vborder(3) Vborder(2) Vborder(1) Vborder(0) 0 0 0 0 = 10000000 = 128), VBORDER defines the 4 MSB's of a 8 bit value

Subaddress 19		
Bit	Name	Function
D7...D4	PLL2RA	PLL2 range, only for test purposes [PPL2RA=0]
D3	CLK21EN	PLL2 input signal (see also <i>Clock concept</i> on page 27): 1: external CLK1 0: external X1/CLK2
D2	CLK11EN	Internal clock switch for CLKOUT (see also <i>Clock concept</i> on page 27): 1: PLL2 output 0: external CLK1
D1...D0		should be set to 00

Subaddress 1A		
Bit	Name	Function
D7...D0	VPAN	Vertical adjustment of the output picture [VPAN = 0]

Subaddress 1B		
Bit	Name	Function
D7...D6	MULTIPIC	Multipicture modes: 11: sixteenfold 10: twelvefold 01: fourfold <u>00: off</u> (In case of MULTIPIC>0, spatial and temporal noise reduction as well as the motion detection for scan rate conversion are disabled)
D5...D2	PICPOS	Position for the picture in the multipicture mode (only valid for MULTIPIC > 0, see also <i>Multipicture display</i> on page 18) [<u>PICPOS = 0</u>]
D1	FREEZE	Freeze mode (frozen picture): 1: on <u>0: off</u>
D0		<u>should be set to 0</u>

Subaddress 1C		
Bit	Name	Function
D7...D5	VDECON	Vertical decimation of the input data stream: 111: not used 110: factor 4.0 101: factor 3.0 100: factor 2.0 011: factor 1.75 010: factor 1.5 001: factor 1.25 <u>000: off</u> (In case of VDECON>0, spatial noise reduction as well as the motion detection for scan rate conversion are disabled)
D4...D3	HDECON	Horizontal decimation of the input data stream: 11: not used 10: factor 4.0 01: factor 2.0 <u>00: off</u> (In case of HDECON>0, spatial noise reduction as well as the motion detection for scan rate conversion are disabled)
D2...D0		<u>should be set to 001</u>

Subaddress 1D		
Bit	Name	Function
D7	NRON	Temporal noise reduction of luminance and chrominance: 1: enabled 0: <u>disabled</u>
D6	SNRON	Spatial noise reduction of luminance: 1: enabled 0: <u>disabled</u>
D5	VCSNRON	Vertical spatial noise reduction of chrominance: 1: enabled 0: <u>disabled</u>
D4	HCSNRON	Horizontal spatial noise reduction of chrominance: 1: enabled 0: <u>disabled</u>
D3...D2		<u>should be set to 00</u>
D1	TNRSEL	Motion detection of temporal noise reduction of chrominance: 1: <u>separate motion detector</u> 0: luminance motion detector
D0	NMALG	Noise measurement algorithm: 1: <u>measurement during vertical blanking period (line can be defined by NMLINE)</u> 0: measurement in the active picture (first active line)

Subaddress 1E		
Bit	Name	Function
D7...D4	TNRCLY	Temporal noise reduction of luminance: classification <u>1111: slight noise reduction</u> : 0000: strong noise reduction
D3...D0	TNRCLC	Temporal noise reduction of chrominance: classification <u>1111: slight noise reduction</u> : 0000: strong noise reduction

Subaddress 1F		
Bit	Name	Function
D7...D4	TNRKOY	Temporal noise reduction of luminance: Vertical shift of the motion detector characteristic [TNRKOY=0]

Subaddress 1F		
Bit	Name	Function
D3...D0	TNRKOC	Temporal noise reduction of chrominance: Vertical shift of the motion detector characteristic [TNRKOC=0]

Subaddress 20		
Bit	Name	Function
D7...D4	TNRVAY	Fixed K-factor for temporal noise reduction of luminance [TNRVAY = 15]
D3...D0	TNRVAC	Fixed K-factor for temporal noise reduction of chrominance [TNRVAC = 15]

Subaddress 21		
Bit	Name	Function
D7...D2	TNRHOY	Temporal noise reduction of luminance: Horizontal shift of the motion detector characteristic [TNRHOY=0]
D1	TNRFIY	Fixed K-factor switch for temporal noise reduction of luminance: 1: off 0: on
D0		<u>should be set to 0</u>

Subaddress 22		
Bit	Name	Function
D7...D2	TNRHOC	Temporal noise reduction of chrominance: Horizontal shift of the motion detector characteristic [TNRHOC=0]
D1	TNRFIC	Fixed K-factor switch for temporal noise reduction of chrominance: 1: off 0: on
D0		<u>should be set to 0</u>

Subaddress 28		
Bit	Name	Function
D7...D3	NMLINE	Line for noise measurement (only valid for NMALG=1) [NMLINE = 4]

Subaddress 28		
Bit	Name	Function
D2...D1		<u>should be set to 01</u>
D0	x	x

Subaddress 32		
Bit	Name	Function
D7...D3	NOISEME	Noise level of the input signal: 0 (no noise), ..., 30 (strong noise) [31 (strong noise or measurement failed)]
D2...D0	VERSION	Version of SDA 94XX family: 000: SDA 9400 001: SDA 9401 010: SDA 9402

Subaddress 33		
Bit	Name	Function
D7...D5	xxx	xxx
D4	TVMODE	TV mode of the input signal 1: NTSC 0: PAL
D3	VISTATUS	Status bit for subaddresses, which will be made valid by VIN 1: New write or read cycle can start 0: No new write or read cycle can start
D2	OSSTATUS	Status bit for subaddresses, which will be made valid by OPSTART 1: New write or read cycle can start 0: No new write or read cycle can start
D1	x	x
D0	NMSTATUS	Status bit for noise measurement parameter: 1: New value of NOISEME available 0: No new value of NOISEME available

Subaddress FF		
Bit	Name	Function
D7...D0		Store command for all subaddresses

7 Absolute maximum ratings

Parameter	Symbol	Min	Max	Unit	Remark
Operating Temperature	T_A	0	70	°C	
Storage Temperature		-65	125	°C	
Junction Temperature			125	°C	
Soldering Temperature			260	°C	
Soldering Time			10	s	
Input Voltage		-0.3	$V_{DD}+0.3$	V	not valid for I ² C bus pins
Output Voltage		-0.3	$V_{DD}+0.3$	V	not valid for I ² C bus pins
Input Voltage		-0.3	5.5	V	I ² C bus pins only
Output Voltage		-0.3	5.5	V	I ² C bus pins only
Supply Voltages	V_{DD}	-0.3	3.8	V	
Total Power Dissipation			1	W	
ESD Protection		-2,0	2,0	kV	MIL STD 883C method 3015.6, 100pF, 1500Ω (HBM)
ESD Protection		-1,5	1,5	kV	EOS/ESD Assn. Standard DS 5.3-1993 (CDM)
Latch-Up Protection		-100	100	mA	all inputs/outputs

All voltages listed are referenced to ground (0V, V_{SS}) except where noted.

Absolute Maximum Ratings are those values beyond which damage to the device may occur. Functional operation under these conditions or at any other condition beyond those indicated in the operational sections of this specification is not implied.

8 Recommended operating conditions

Parameter	Symbol	Min	Nom	Max	Unit	Remark
Supply Voltages	V_{DD}	3.15	3.3	3.45	V	
Ambient Temperature	T_A	0	25	70	°C	
All TTL Inputs						
High-Level Input Voltage	V_{IH}	2.0		$V_{DD} + 0.2$	V	
Low-Level Input Voltage	V_{IL}	-0.2		0.8	V	
Input Current	I_{IN}			+/- 5	µA	
All TTL Outputs						
High-Level Output Voltage	V_{OH}	2.4			V	$I_{OH} = -2.0$ mA
Low-Level Output Voltage	V_{OL}			0.4	V	$I_{OL} = 2.0$ mA
INPUT/OUTPUT: SDA						
Low-Level Output Voltage	V_{OL}			0.5	V	at $I_{OL} = \text{max}$
Clock TTL Input CLK1						
Clock frequency	$1/T$		27		MHz	see diagr. 11.3
Low time	t_{WL}	10			ns	
High time	t_{WH}	10			ns	
Rise time	t_{TLH}			10	ns	
Fall time	t_{THL}			10	ns	
Input SYNCEN						
Low time	t_{WL2}	22			ns	see diagr. 11.3
High time	t_{WH2}	22			ns	
Rise time	t_{TLH2}			10	ns	
Fall time	t_{THL2}			10	ns	
Clock TTL Input X1/CLK2						
Clock frequency	$1/T$		27		MHz	see diagr. 11.3
Low time	t_{WL}	10			ns	
High time	t_{WH}	10			ns	
Rise time	t_{TLH}			5	ns	
Fall time	t_{THL}			5	ns	
I²C bus (All Values Are Referred To $\min(V_{IH})$ And $\max(V_{IL})$), $f_{SCL} = 400$ KHz						
High-Level Input Voltage	V_{IH}	3		5.25	V	see diagr. 11.1
Low-Level Input Voltage	V_{IL}	0		1.5	V	see diagr. 11.2
SCL Clock Frequency	f_{SCL}	0		400	kHz	
Inactive Time Before Start Of Transmission	t_{BUF}	1.3			µs	
Set-Up Time Start Condition	$t_{SU;STA}$	0.6			µs	

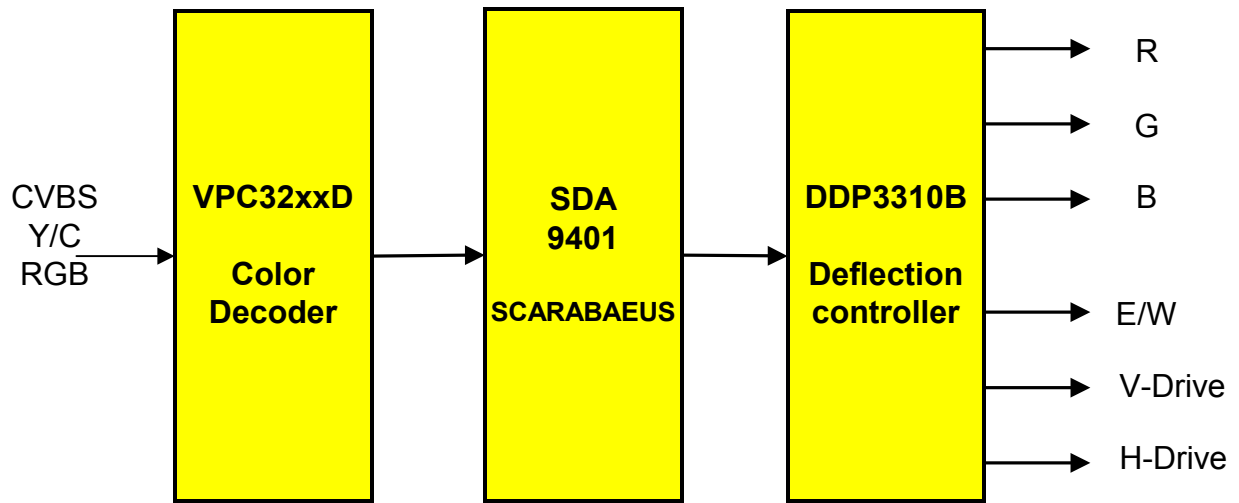
Parameter	Symbol	Min	Nom	Max	Unit	Remark
Hold Time Start Condition	$t_{HD;STA}$	0.6			μs	
SCL Low Time	t_{LOW}	1.3			μs	
SCL High Time	t_{HIGH}	0.6			μs	
Set-Up Time DATA	$t_{SU;DAT}$	100			ns	
Hold Time DATA	$t_{HD;DAT}$	0			μs	
SDA/SCL Rise Times	t_R			300	ns	
SDA/SCL Fall Times	t_F			300	ns	
Set-Up Time Stop Condition	$t_{SU;STO}$	0.6			μs	
Output valid from clock	t_{AA}			900	ns	
Input filter spike suppression (SDA and SCL pins)	t_{SP}			50	ns	
Low-Level Output Current	I_{QL}			3	mA	
Inputs crystal connections X1/CLK2, X2						see diag. 11.4
Crystal frequency	xtal		27.0		MHz	fundamental crystal
Equivalent parallel Capacitance	Cin			27	pF	
Equivalent parallel Capacitance	Cout			27	pF	

9 Characteristics (Assuming Recommended Operating Conditions)

Parameter	Symbol	Min	Max	Unit	Remark
Average Supply Current		t.b.d.	t.b.d.	mA	All V _{DD} pins, typ. t.b.d. mA
All Digital Inputs (Including I/O Inputs)					
Input Capacitance			10	pF	
Input Leakage Current		-5	5	μA	
TTL Inputs: YIN, UVIN, HIN, VIN (Referenced To CLK1)					
Set-Up Time	t _{SU}	7		ns	see diag. 11.3
Input Hold Time	t _{IH}	6		ns	
TTL Outputs: YOUT, UVOUT, HREF, INTERLACED (Referenced To CLKOUT*)					
Hold time	t _{OH}	6		ns	see diag. 11.3
Delay time	t _{OD}		25	ns	CL = 30 pF, 27 MHz
TTL Outputs: HOUT, VOUT (Referenced To CLKOUT)					
Hold time	t _{OH}	6		ns	see diag. 11.3
Delay time	t _{OD}		25	ns	CL = 50 pF, 27 MHz
TTL Inputs: SYNCEN (Referenced To CLK1)					
Set-Up Time	t _{SU}	25		ns	see diag. 11.3
Input Hold Time	t _{IH}	0		ns	

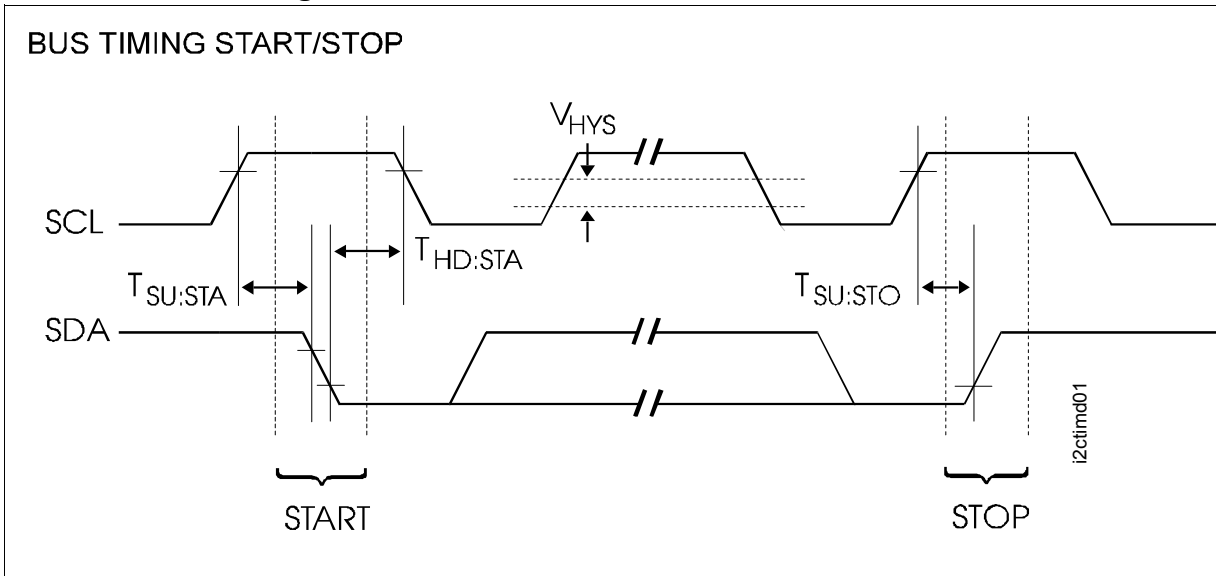
*: see also *Clock concept* on page 27

10 Application information

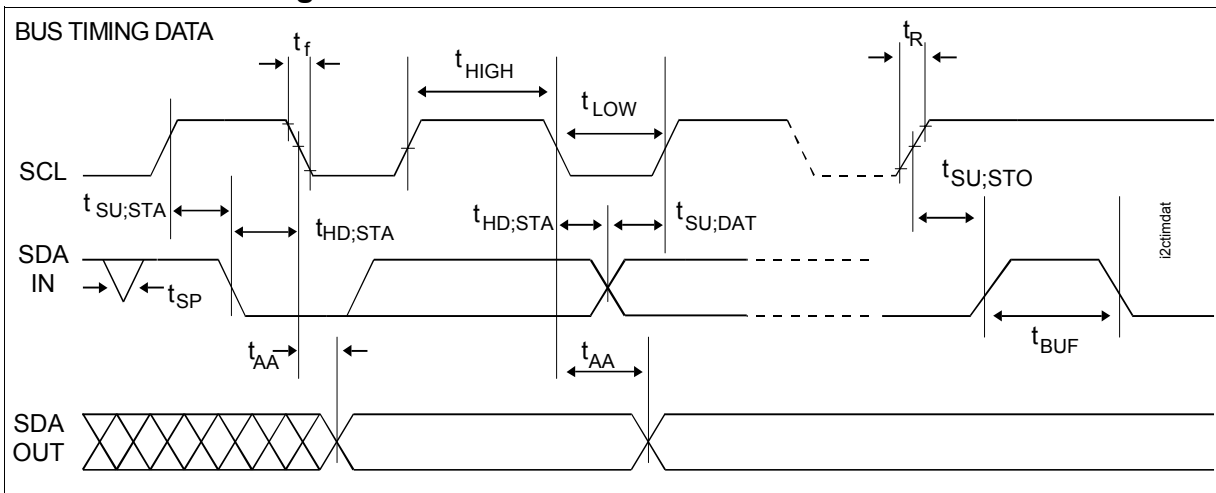


11 Waveforms

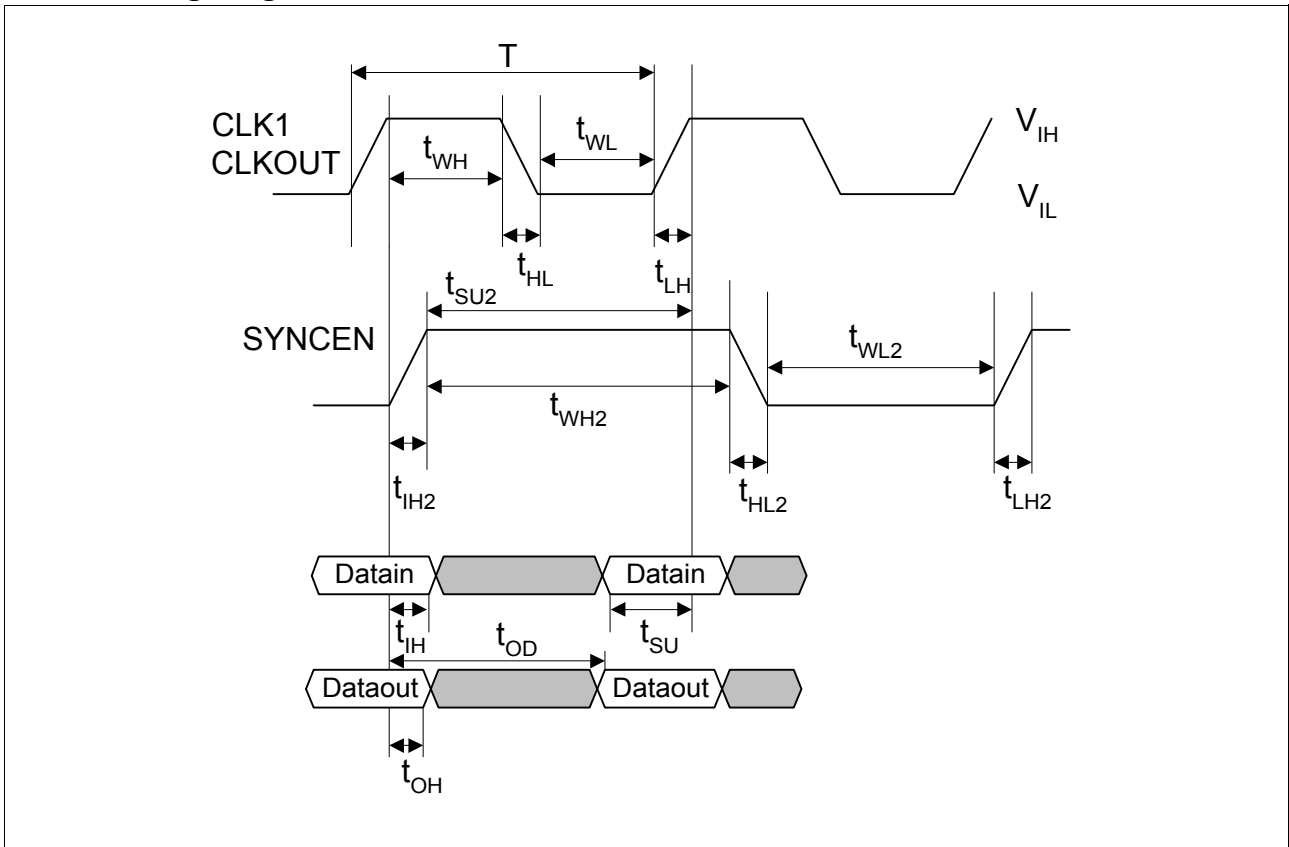
11.1 I²C-bus timing START/STOP



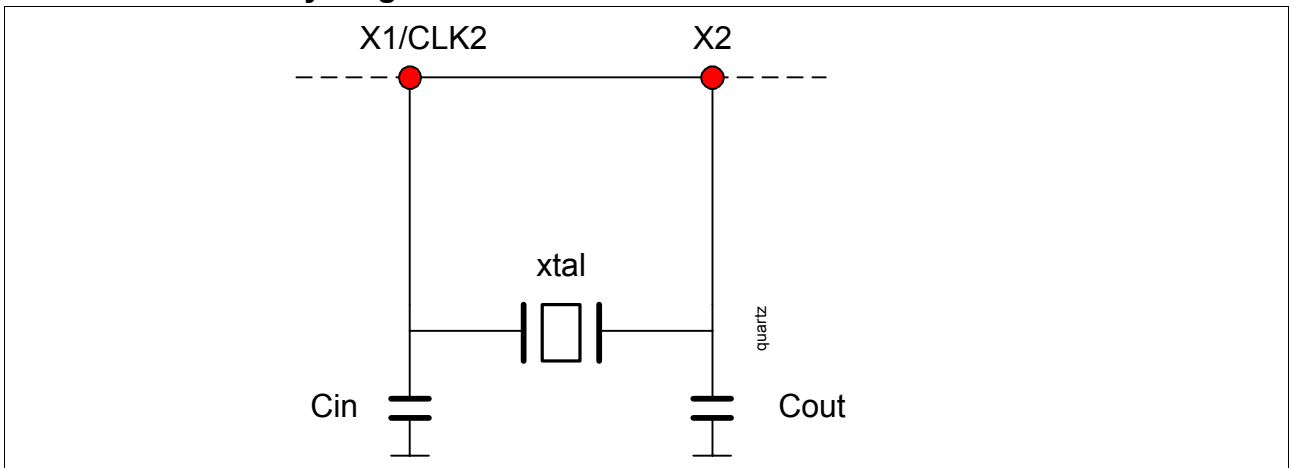
11.2 I²C-bus timing DATA



11.3 Timing diagram clock

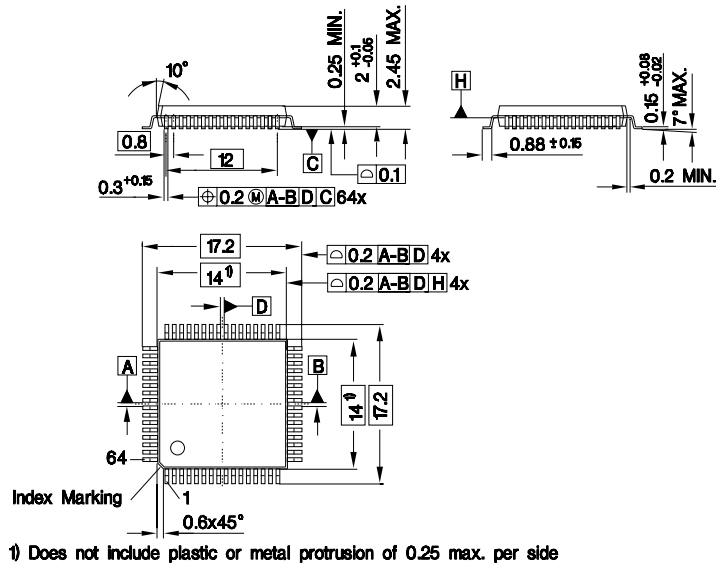


11.4 Clock circuitry diagram



12 Package Outlines

P-MQFP-64



[All dimensions in mm]

Micronas GmbH
Hans-Bunte-Strasse 19
D-79108 Freiburg (Germany)
P.O. Box 840
D-79008 Freiburg (Germany)
Tel. +49-761-517-0
Fax +49-761-517-2174
E-mail: docservice@micronas.com
Internet: www.micronas.com

Printed in Germany
Order No. 6251-558-1PD

All information and data contained in this data sheet are without any commitment, are not to be considered as an offer for conclusion of a contract, nor shall they be construed as to create any liability. Any new issue of this data sheet invalidates previous issues. Product availability and delivery are exclusively subject to our respective order confirmation form; the same applies to orders based on development samples delivered. By this publication, Micronas GmbH does not assume responsibility for patent infringements or other rights of third parties which may result from its use.

Further, Micronas GmbH reserves the right to revise this publication and to make changes to its content, at any time, without obligation to notify any person or entity of such revisions or changes.

No part of this publication may be reproduced, photocopied, stored on a retrieval system, or transmitted without the express written consent of Micronas GmbH.