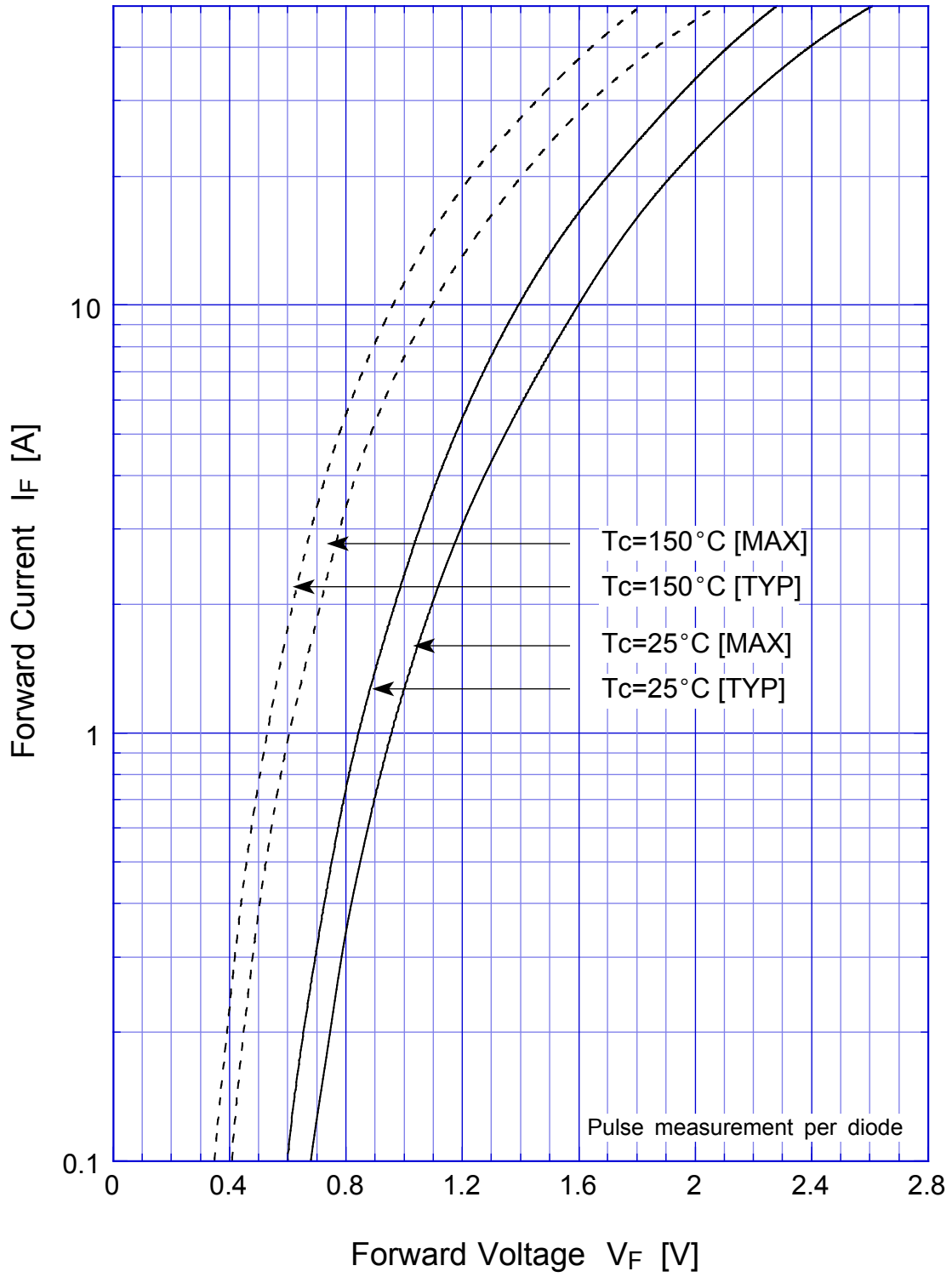




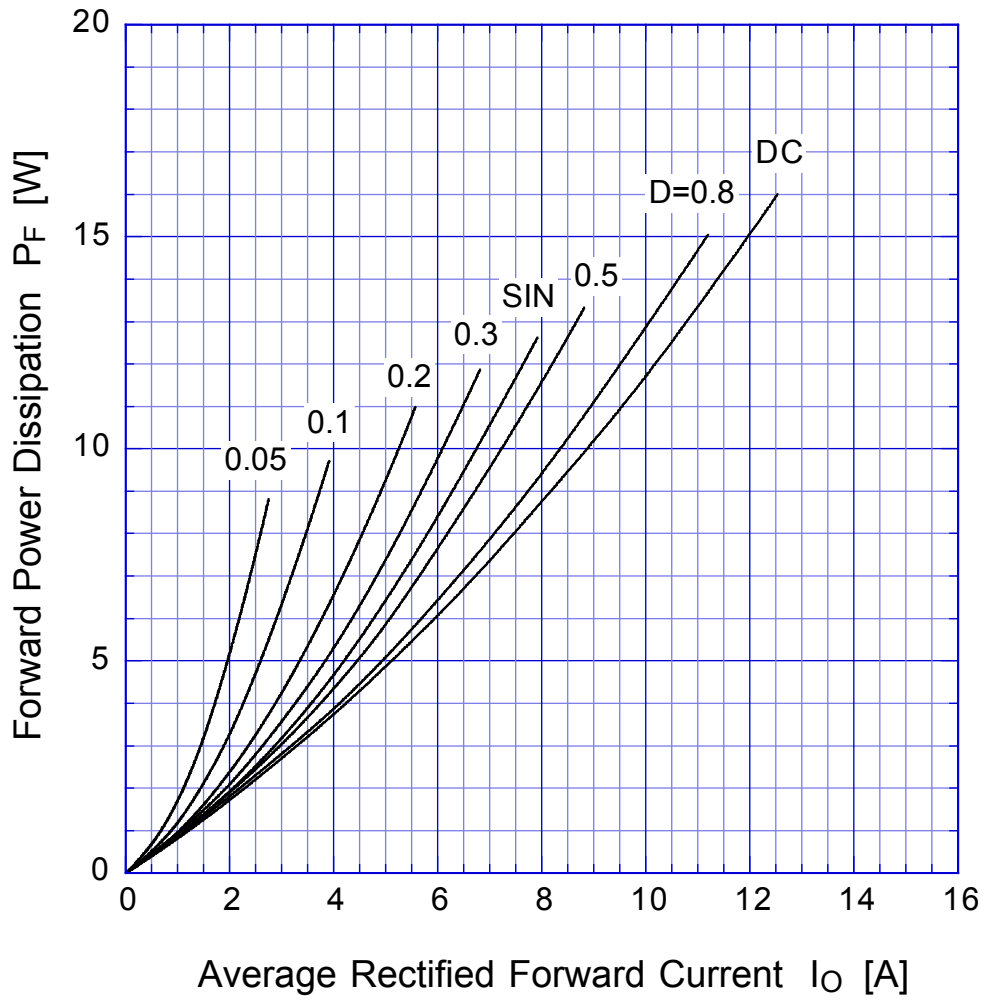
# SF8L60

## Forward Voltage

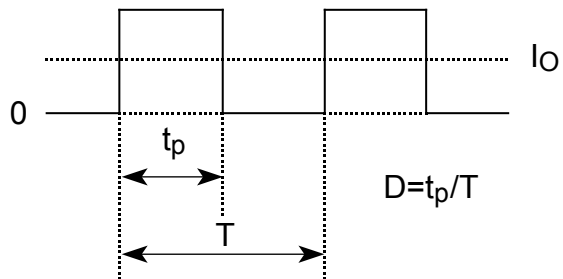


# SF8L60

# Forward Power Dissipation

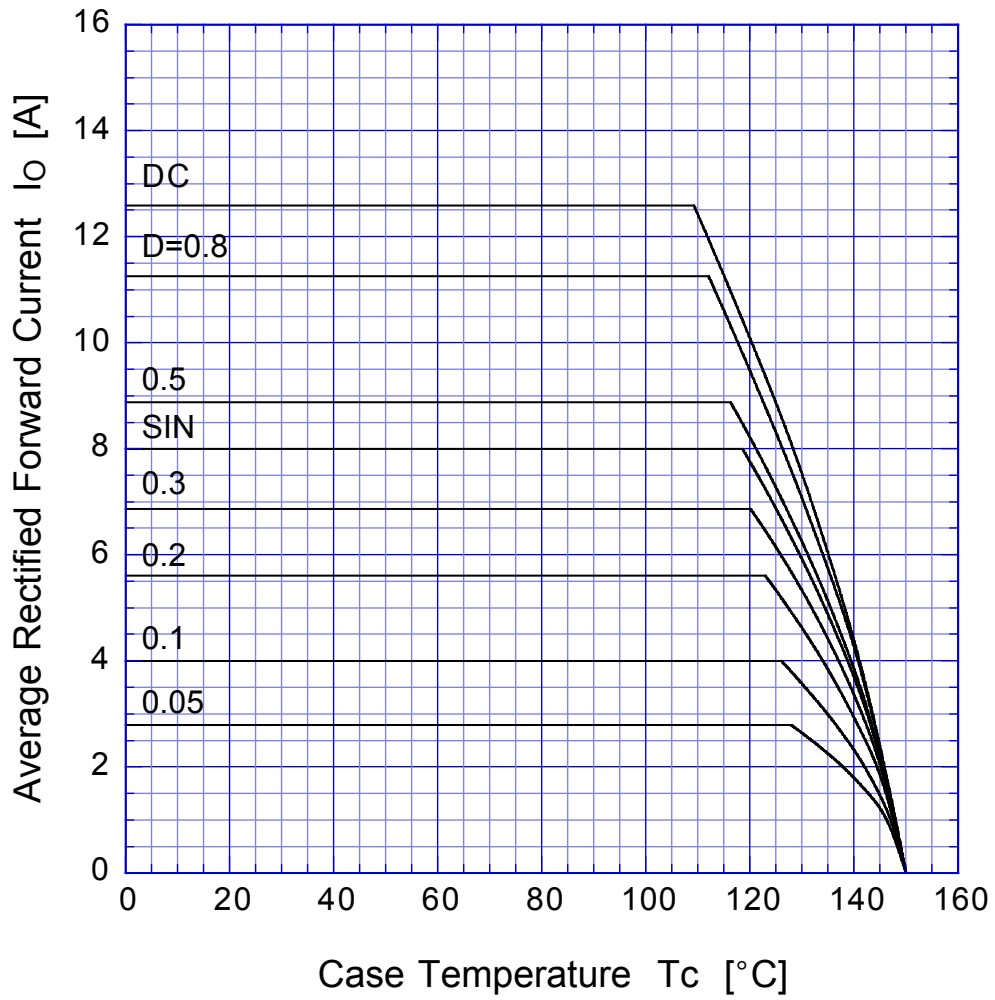


$T_j = T_{jmax}$

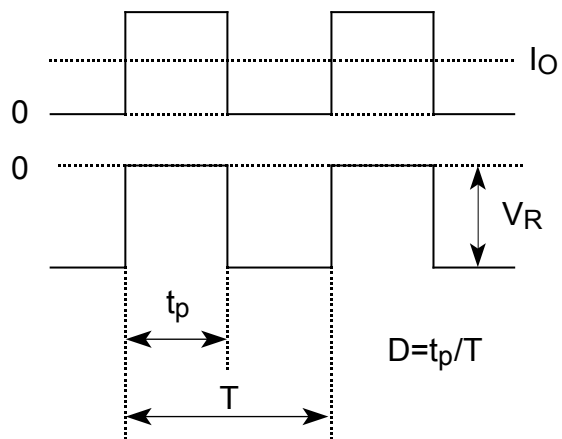


# SF8L60

# Derating Curve

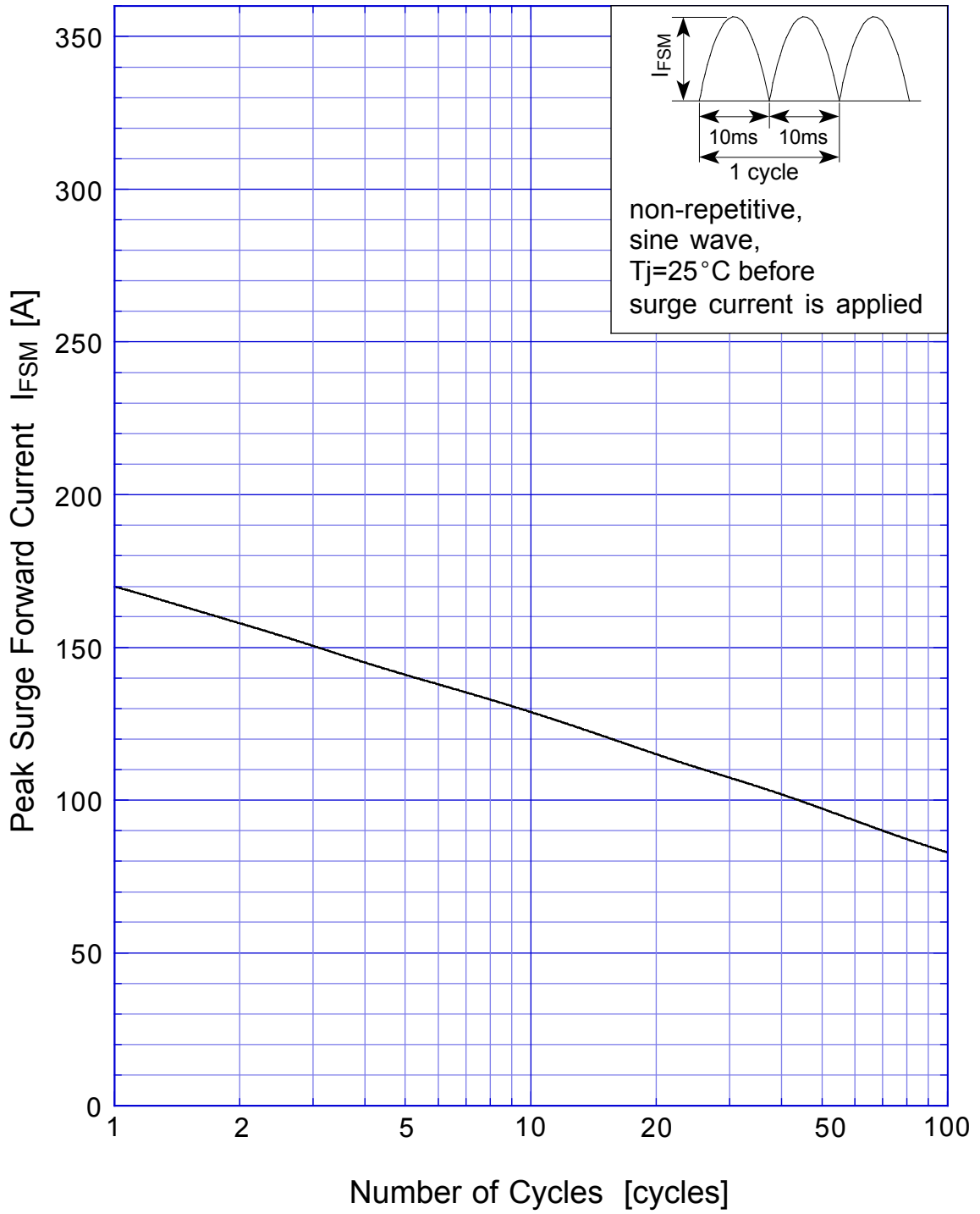


$$V_R = V_{RM}$$



# SF8L60

## Peak Surge Forward Capability



# SF8L60

## Junction Capacitance

