

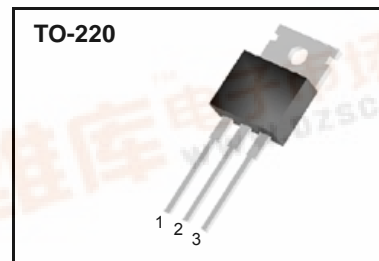
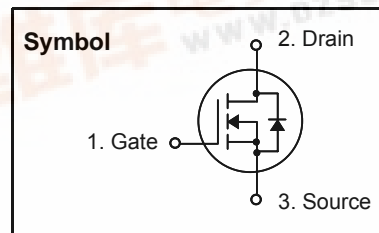
N-Channel MOSFET

Features

- **High ruggedness**
- $R_{DS(on)}$ (Max 0.85 Ω)@ $V_{GS}=10V$
- Gate Charge (Typical 48nC)
- Improved dv/dt Capability, High ruggedness
- 100% Avalanche Tested
- Maximum Junction Temperature Range (150°C)

General Description

This Power MOSFET is produced using SemiWell's advanced planar stripe, DMOS technology. This latest technology has been especially designed to minimize on-state resistance, have a high rugged avalanche characteristics. This devices is specially well suited for half bridge and full bridge resonant topology like a electronic lamp ballast.



Absolute Maximum Ratings

Symbol	Parameter	Value	Units
V_{DSS}	Drain to Source Voltage	500	V
I_D	Continuous Drain Current(@ $T_C = 25^\circ C$)	8	A
	Continuous Drain Current(@ $T_C = 100^\circ C$)	5.1	A
I_{DM}	Drain Current Pulsed (Note 1)	32	A
V_{GS}	Gate to Source Voltage	± 30	V
E_{AS}	Single Pulsed Avalanche Energy (Note 2)	660	mJ
E_{AR}	Repetitive Avalanche Energy (Note 1)	12.5	mJ
dv/dt	Peak Diode Recovery dv/dt (Note 3)	5	V/ns
P_D	Total Power Dissipation(@ $T_C = 25^\circ C$)	125	W
	Derating Factor above 25 $^\circ C$	1.0	W/ $^\circ C$
T_{STG}, T_J	Operating Junction Temperature & Storage Temperature	- 55 ~ 150	$^\circ C$
T_L	Maximum Lead Temperature for soldering purpose, 1/8 from Case for 5 seconds.	300	$^\circ C$

Thermal Characteristics

Symbol	Parameter	Value			Units
		Min.	Typ.	Max.	
$R_{\theta JC}$	Thermal Resistance, Junction-to-Case	-	-	1	$^\circ C/W$
$R_{\theta CS}$	Thermal Resistance, Case to Sink	-	0.5	-	$^\circ C/W$
$R_{\theta JA}$	Thermal Resistance, Junction-to-Ambient	-	-	62	$^\circ C/W$



SFP840

Electrical Characteristics ($T_C = 25\text{ }^\circ\text{C}$ unless otherwise noted)

Symbol	Parameter	Test Conditions	Min	Typ	Max	Units
Off Characteristics						
BV_{DSS}	Drain-Source Breakdown Voltage	$V_{GS} = 0V, I_D = 250\mu A$	500	-	-	V
$\Delta BV_{DSS} / \Delta T_J$	Breakdown Voltage Temperature coefficient	$I_D = 250\mu A$, referenced to $25\text{ }^\circ\text{C}$	-	0.6	-	V/ $^\circ\text{C}$
I_{DSS}	Drain-Source Leakage Current	$V_{DS} = 500V, V_{GS} = 0V$	-	-	1	μA
		$V_{DS} = 400V, T_C = 125\text{ }^\circ\text{C}$	-	-	10	μA
I_{GSS}	Gate-Source Leakage, Forward	$V_{GS} = 30V, V_{DS} = 0V$	-	-	100	nA
	Gate-source Leakage, Reverse	$V_{GS} = -30V, V_{DS} = 0V$	-	-	-100	nA
On Characteristics						
$V_{GS(th)}$	Gate Threshold Voltage	$V_{DS} = V_{GS}, I_D = 250\mu A$	2.0	-	4.0	V
$R_{DS(ON)}$	Static Drain-Source On-state Resistance	$V_{GS} = 10V, I_D = 4A$	-	-	0.85	Ω
Dynamic Characteristics						
C_{iss}	Input Capacitance	$V_{GS} = 0V, V_{DS} = 25V, f = 1MHz$	-	1470	-	pF
C_{oss}	Output Capacitance		-	170	-	
C_{rss}	Reverse Transfer Capacitance		-	40	-	
Dynamic Characteristics						
$t_{d(on)}$	Turn-on Delay Time	$V_{DD} = 250V, I_D = 8A, R_G = 50\Omega$ * see fig. 13. (Note 4, 5)	-	22	-	ns
t_r	Rise Time		-	25	-	
$t_{d(off)}$	Turn-off Delay Time		-	130	-	
t_f	Fall Time		-	30	-	
Q_g	Total Gate Charge	$V_{DS} = 400V, V_{GS} = 10V, I_D = 8A$ * see fig. 12. (Note 4, 5)	-	48	60	nC
Q_{gs}	Gate-Source Charge		-	7	-	
Q_{gd}	Gate-Drain Charge(Miller Charge)		-	20	-	

Source-Drain Diode Ratings and Characteristics

Symbol	Parameter	Test Conditions	Min.	Typ.	Max.	Unit.
I_S	Continuous Source Current	Integral Reverse p-n Junction Diode in the MOSFET	-	-	8	A
I_{SM}	Pulsed Source Current		-	-	32	
V_{SD}	Diode Forward Voltage	$I_S = 8A, V_{GS} = 0V$	-	-	2.0	V
t_{rr}	Reverse Recovery Time	$I_S = 8A, V_{GS} = 0V, di_F/dt = 100A/\mu s$	-	335	-	ns
Q_{rr}	Reverse Recovery Charge		-	3.6	-	μC

* NOTES

1. Repeativity rating : pulse width limited by junction temperature
2. $L = 18.5mH, I_{AS} = 8A, V_{DD} = 50V, R_G = 0\Omega$, Starting $T_J = 25\text{ }^\circ\text{C}$
3. $I_{SD} \leq 10A, di/dt \leq 300A/\mu s, V_{DD} \leq BV_{DSS}$, Starting $T_J = 25\text{ }^\circ\text{C}$
4. Pulse Test : Pulse Width $\leq 300\mu s$, Duty Cycle $\leq 2\%$
5. Essentially independent of operating temperature.



Fig 1. On-State Characteristics

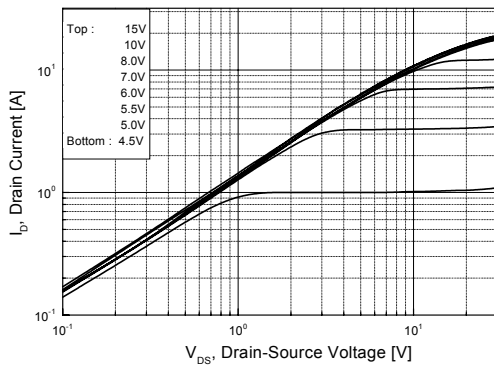


Fig 2. Transfer Characteristics

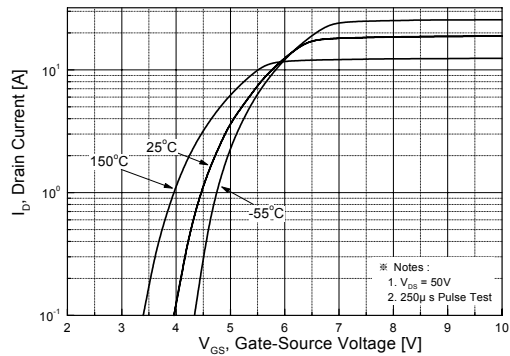


Fig 3. On Resistance Variation vs. Drain Current and Gate Voltage

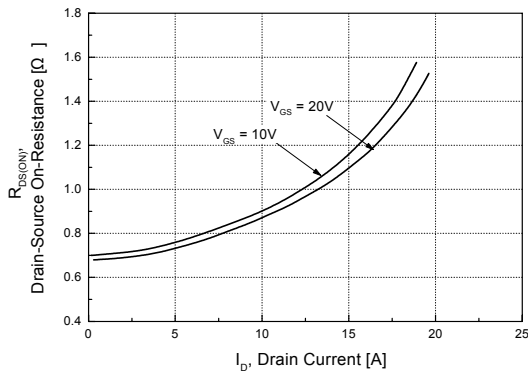


Fig 4. On State Current vs. Allowable Case Temperature

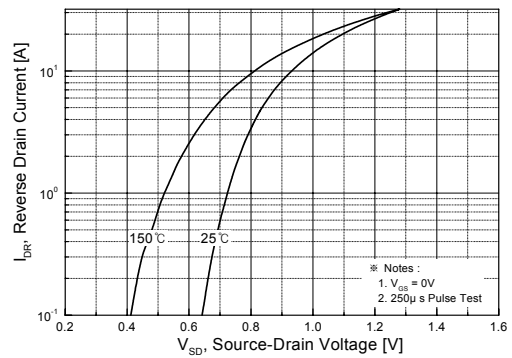


Fig 5. Capacitance Characteristics

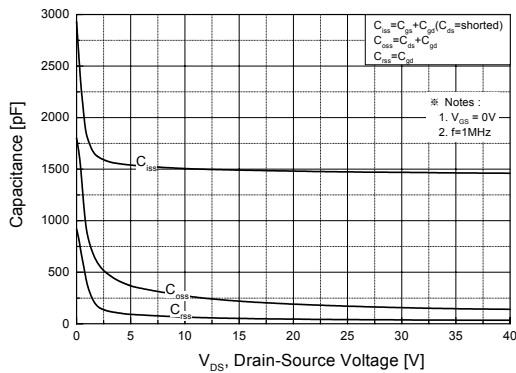
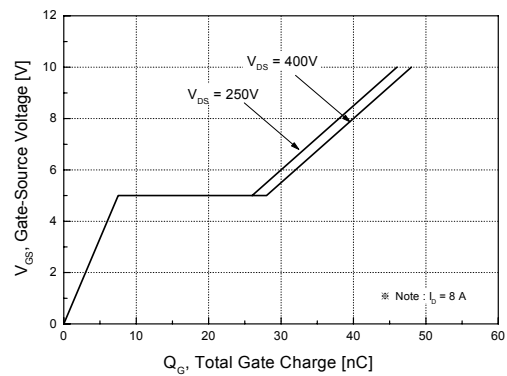


Fig 6. Gate Charge Characteristics



SFP840

Fig 7. Breakdown Voltage Variation

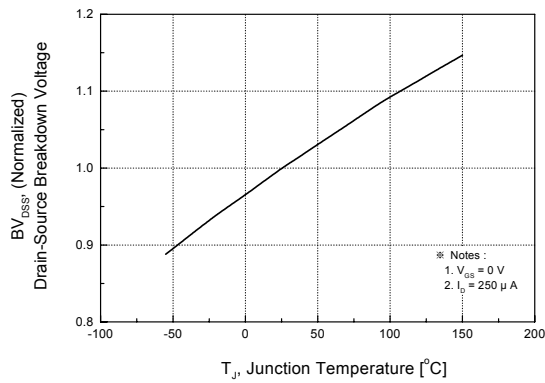


Fig 8. On-Resistance Variation

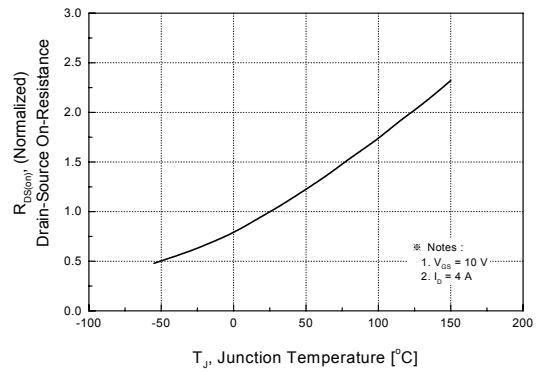


Fig 9. Maximum Safe Operating Area

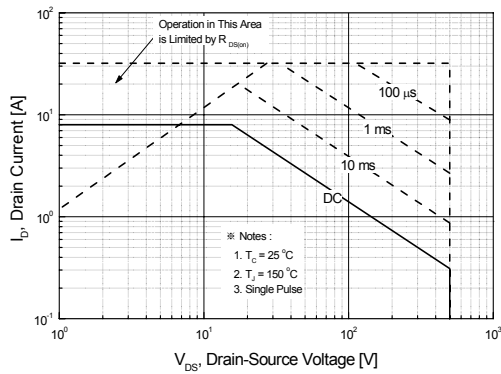


Fig 10. Maximum Drain Current vs. Case Temperature

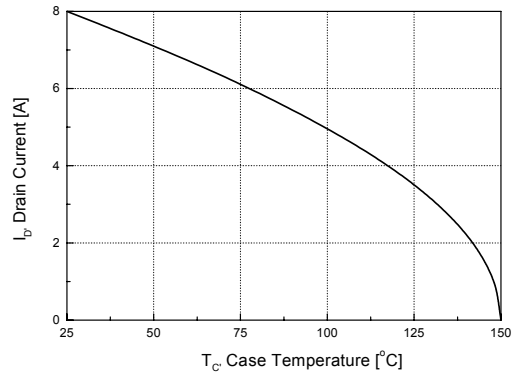


Fig 11. Transient Thermal Response Curve

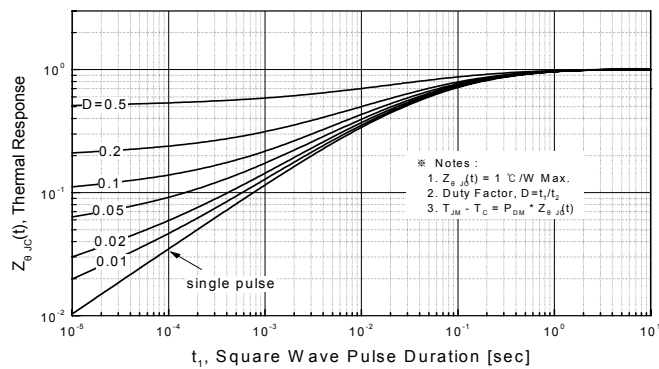


Fig. 12. Gate Charge Test Circuit & Waveforms

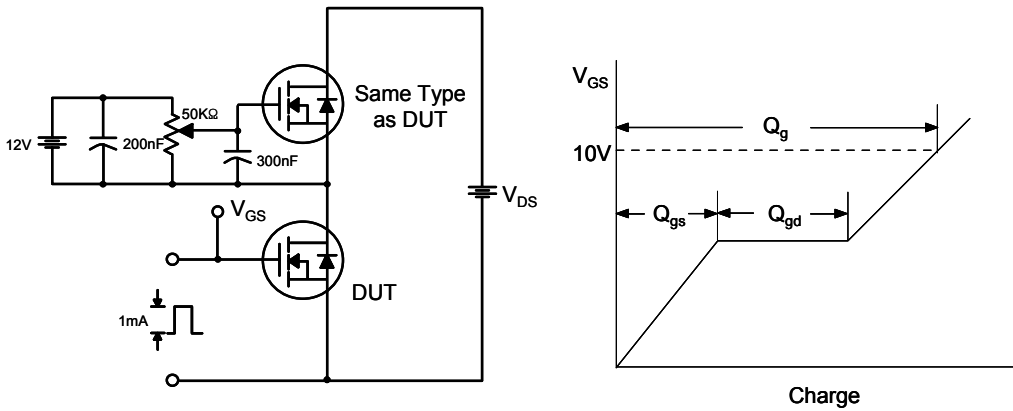


Fig. 13. Switching Time Test Circuit & Waveforms

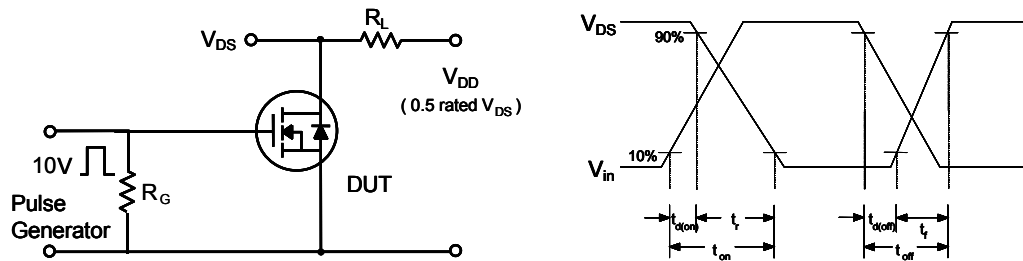
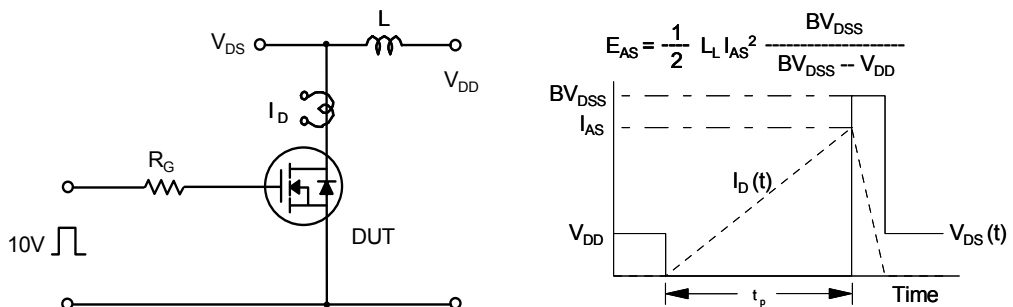
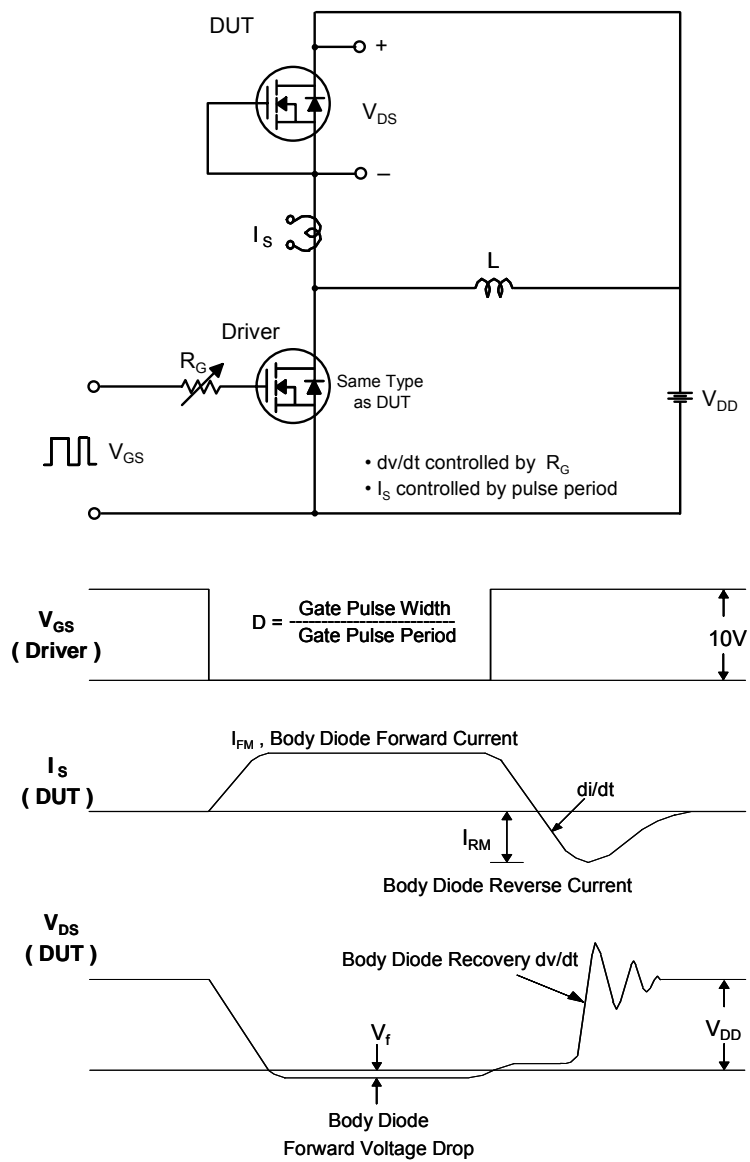


Fig. 14. Unclamped Inductive Switching Test Circuit & Waveforms



SFP840

Fig. 15. Peak Diode Recovery dv/dt Test Circuit & Waveforms



SFP840

TO-220 Package Dimension

Dim.	mm			Inch		
	Min.	Typ.	Max.	Min.	Typ.	Max.
A	9.7		10.1	0.382		0.398
B	6.3		6.7	0.248		0.264
C	9.0		9.47	0.354		0.373
D	12.8		13.3	0.504		0.524
E	1.2		1.4	0.047		0.055
F		1.7			0.067	
G		2.5			0.098	
H	3.0		3.4	0.118		0.134
I	1.25		1.4	0.049		0.055
J	2.4		2.7	0.094		0.106
K	5.0		5.15	0.197		0.203
L	2.2		2.6	0.087		0.102
M	1.25		1.55	0.049		0.061
N	0.45		0.6	0.018		0.024
O	0.6		1.0	0.024		0.039
∅		3.6			0.142	

