

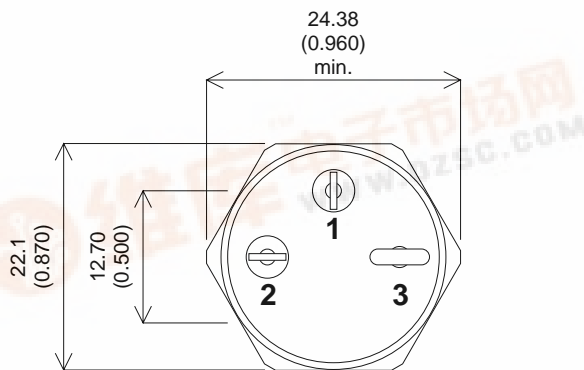


SJ5437

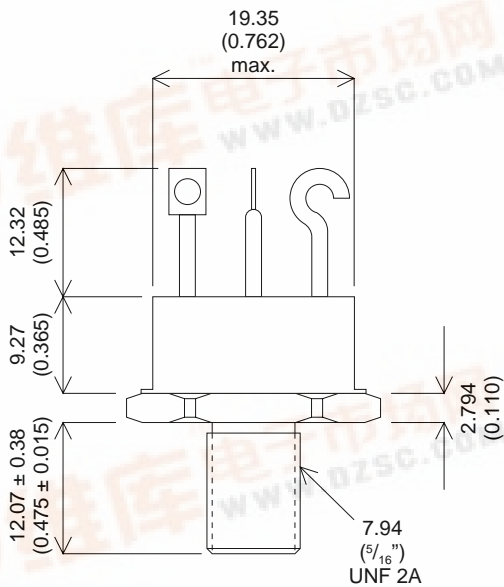
MECHANICAL DATA

Dimensions in mm (inches)

PNP DRIVER TRANSISTOR



- Bipolar Power Transistor
- TO-63 Hermetic Package
- Fast Switching

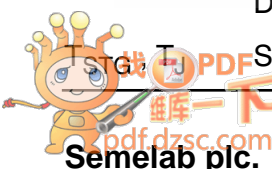


TO-63 Metal Package.

Pin 1 – Base Pin 2 – Emitter Case – Collector

ABSOLUTE MAXIMUM RATINGS ($T_{case} = 25^{\circ}C$ unless otherwise stated)

V_{CEO}	Collector – Emitter Voltage	80V
I_C	Continuous Collector Current	20A
P_D	Total Device Dissipation	150W
	Derate above 100°C	0.67°C/W
	Storage and Operating Junction Temperature Range	-55 to +200°C



Parameter		Test Conditions		Min.	Typ.	Max.	Units
H_{FE1}	Current Gain	$V_{CE} = 10V$	$I_C = 1A$	40			—
H_{FE2}	Current Gain	$V_{CE} = 10V$	$I_C = 10A$	20			—
h_{fe}	Current Gain	$V_{CE} = 15V$ $f = 1MHz$	$I_C = 2A$	30			—
$V_{CEO(sus)}$	Collector – Emitter Saturation Voltage	$I_C = 5A$	$I_B = 0.5A$			0.5	V
		$I_C = 10A$	$I_B = 1A$			2	
$V_{BEO(sus)}$	Base – Emitter Saturation Voltage	$I_C = 5A$	$I_B = 0.5A$			1	V
		$I_C = 10A$	$I_B = 1A$			2	
t_{on}	Turn-On Time	$I_C = 10A$				2	μs
t_{off}	Turn-Off Time	$I_{B1} = I_{B2} = 1A$				2	