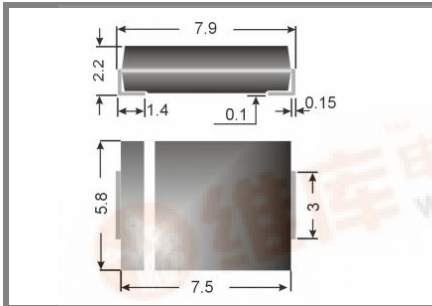


# SK 32 ... SK 310



Surface mount diode

## Schottky barrier rectifiers diodes

### SK 32...SK 310

Forward Current: 3 A

Reverse Voltage: 20 to 100 V

### Features

- Max. solder temperature: 260°C
- Plastic material has UL classification 94V-0

### Mechanical Data

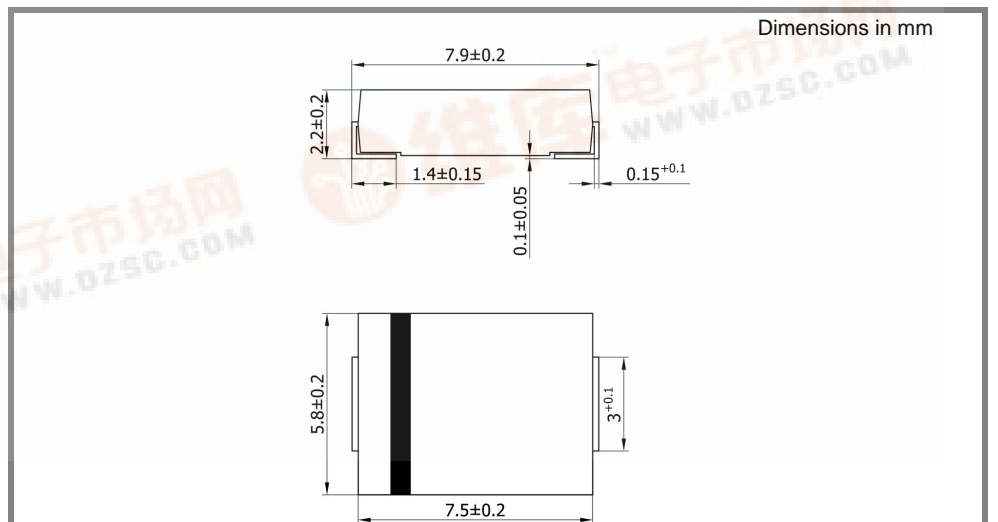
- Plastic case SMC / DO-214AB
- Weight approx.: 0,21 g
- Terminals: plated terminals solderable per MIL-STD-750
- Mounting position: any
- Standard packaging: 3000 pieces per reel

- 1) Max. temperature of the terminals  $T_T = 100\text{ °C}$
- 2)  $I_F = 3\text{ A}$ ,  $T_A = 25\text{ °C}$
- 3)  $T_A = 25\text{ °C}$
- 4) Mounted on P.C. board with 50 mm<sup>2</sup> copper pads at each terminal

Type	Polarity color band	Repetitive peak reverse voltage $V_{RRM}$ V	Surge peak reverse voltage $V_{RSM}$ V	Maximum forward voltage $T_j = 25\text{ °C}$ $I_F = 3\text{ A}$ $V_F^{2)}$ V	Maximum reverse recovery time $I_F = -\text{A}$ $I_R = -\text{A}$ $I_{RR} = -\text{A}$ $t_{rr}$ ns
SK 32	-	20	20	0,5	-
SK 33	-	30	30	0,5	-
SK 34	-	40	40	0,5	-
SK 35	-	50	50	0,75	-
SK 36	-	60	60	0,75	-
SK 38	-	80	80	0,85	-
SK 310	-	100	100	0,85	-

Absolute Maximum Ratings		$T_c = 25\text{ °C}$ , unless otherwise specified	
Symbol	Conditions	Values	Units
$I_{FAV}$	Max. averaged fwd. current, R-load, $T_T = 100\text{ °C}$	3	A
$I_{FRM}$	Repetitive peak forward current $f > 15\text{ Hz}^1)$	20	A
$I_{FSM}$	Peak fwd. surge current 50 Hz half sinus-wave <sup>3)</sup>	100	A
$I^2t$	Rating for fusing, $t < 10\text{ ms}^3)$	50	A <sup>2</sup> s
$R_{thA}$	Max. thermal resistance junction to ambient <sup>4)</sup>	50	K/W
$R_{thT}$	Max. thermal resistance junction to terminals	10	K/W
$T_j$	Operating junction temperature	-50...+150	°C
$T_s$	Storage temperature	-50...+150	°C

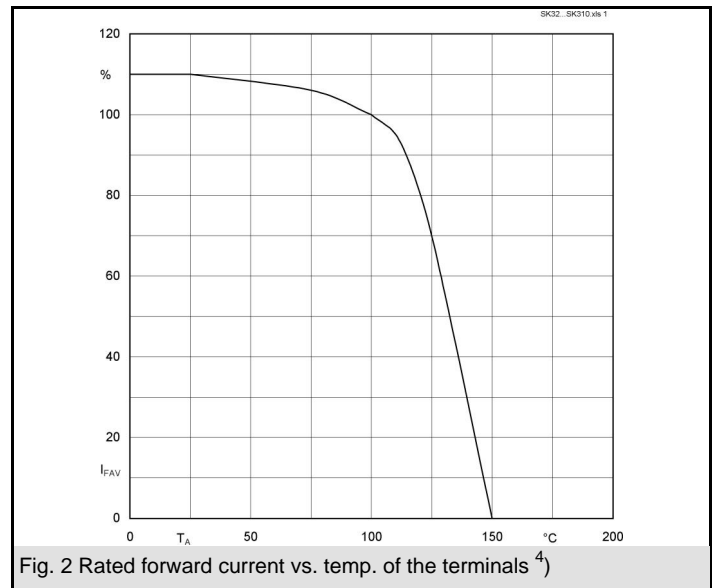
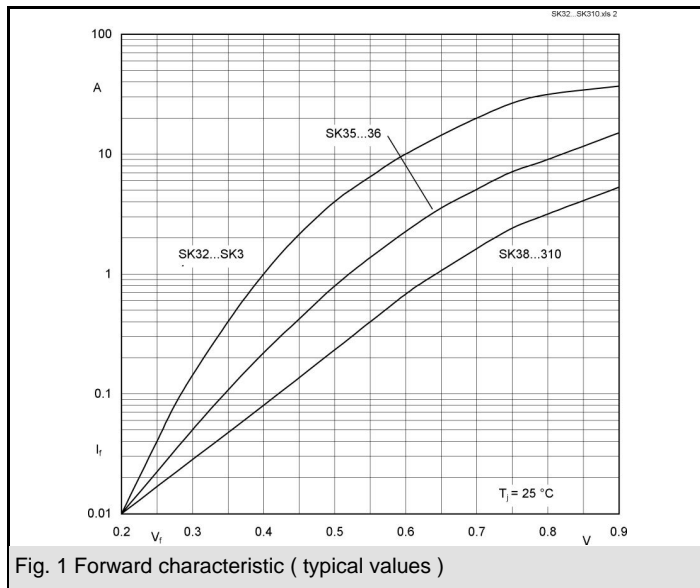
Characteristics		$T_c = 25\text{ °C}$ , unless otherwise specified	
Symbol	Conditions	Values	Units
$I_R$	Maximum leakage current, $T_j = 100\text{ °C}$ ; $V_R = V_{RRM}$ $T_j = 25\text{ °C}$ ; $V_R = V_{RRM}$	<20,0 <0,5	mA mA
$C_j$	Typical junction capacitance (at MHz and applied reverse voltage of V)	-	pF
$Q_{rr}$	Reverse recovery charge ( $U_R = V$ ; $I_F = A$ ; $dI_F/dt = A/ms$ )	-	µC
$E_{RSM}$	Non repetitive peak reverse avalanche energy ( $I_R = mA$ ; $T_j = \text{°C}$ ; inductive load switched off)	-	mJ



case: SMC / DO-214AB



# SK 32 ... SK 310



Copyright © Each Manufacturing Company.

All Datasheets cannot be modified without permission.

This datasheet has been download from :

[www.AllDataSheet.com](http://www.AllDataSheet.com)

100% Free DataSheet Search Site.

Free Download.

No Register.

Fast Search System.

[www.AllDataSheet.com](http://www.AllDataSheet.com)