



***THIS DOCUMENT IS FOR MAINTENANCE
PURPOSES ONLY AND IS NOT
RECOMMENDED FOR NEW DESIGNS***



SL623

AM DETECTOR, AGC AMPLIFIER & SSB DEMODULATOR

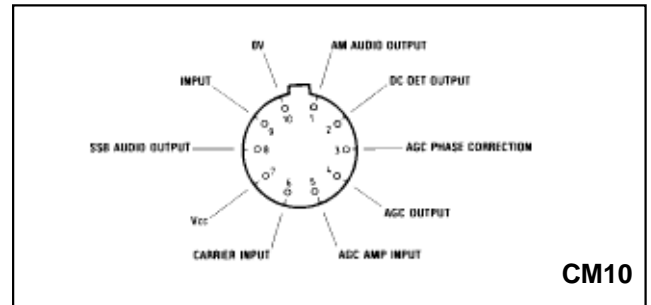
The SL623C is a silicon integrated circuit combining the functions of low level, low distortion AM detector and AGC generator with SSB demodulator. It is designed specially for use in SSB/AM receivers in conjunction with SL610C, SL611C and SL612C RF and IF amplifiers. It is complementary to the SL621C SSB AGC generator.

The AGC voltage is generated directly from the detected carrier signal and is independent of the depth of modulation used. Its response is fast enough to follow the most rapidly fading signals. When used in a receiver comprising one SL610C and one SL612C amplifier, the SL623C will maintain the output within a 5dB range for a 90dB range of receiver input signal.

The AM detector, which will work with a carrier level down to 100mV, contributes negligible distortion up to 90% modulation. The SSB demodulator is of single balanced form. The SL623C is designed to operate at intermediate frequencies up to 30MHz. In addition it functions at frequencies up to 120MHz with some degradation in detection efficiencies.

FEATURES

- Negligible Distortion
- Easy Interfacing
- Fast Response Time



CM10

Fig.1 Pin connections (bottom view)

APPLICATIONS

- AM SSB Receivers
- Test Equipment

QUICK REFERENCE DATA

- Supply voltage: 6V
- Supply current: 30MHz

ORDERING INFORMATION

- SL623 C CM
- SL623 CB CM

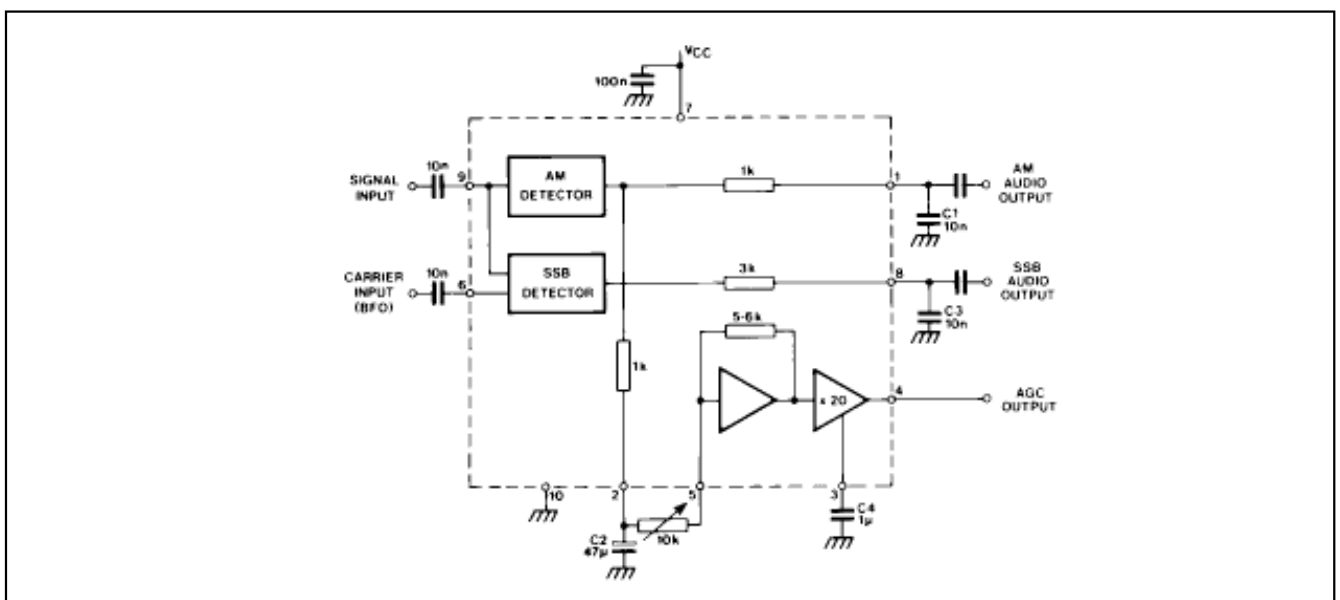


Fig.2 Block diagram

SL623

ELECTRICAL CHARACTERISTICS

Test conditions (unless otherwise stated)

Supply voltage $V_{cc} = 6V$ |
 Ambient temperature: $-30^{\circ}C$ to $+85^{\circ}C$
 Test circuit as Fig.2

ABSOLUTE MAXIMUM RATINGS

Supply voltage: 12V
 Storage temperature: $-55^{\circ}C$ to $+125^{\circ}C$

Characteristics	Value			Units	Conditions
	Min.	Typ.	Max.		
Supply current		9	11	mA	No signal, Pin 4 open
Input impedance		800		Ω	Pins 6, 9
SSB audio output	22	30	47	mVrms	Signal input 20mVrms @ 1.78 MHz. Ref. signal input 100mV @ 1.750MHz
AM audio output	43	55	67	mVrms	Signal input 125mVrms @ 1.75MHz modulated to 80% at 1KHz
AGC range (Note 1)			6	dB	Initial signal input 125mVrms at 1.75MHz modulated to 80% at 1KHz. Output set to 2.0V with 10K Ω potentiometer between Pins 2 & 5

NOTES

1.The AGC range is the change in input level to increase AGC output voltage from 2.0V to 4.6V

APPLICATION NOTES

AGC Generator

Pin 3, the AGC amplifier phase correction point should be decoupled to ground by a 1 microfarad capacitor (C4), keeping leads as short as possible. The value of C4 is quite critical, and should not be altered: if it is increased the increased phase shift in the AGC loop may cause the receiver to become unstable at LF and if it is reduced the modulation level of the incoming signal will be reduced by fast-acting AGC.

The AGC output (Pin 4) will drive at least two SL610/11/ 12 amplifiers. The SL623AGC output is an emitter follower similar to that of the SL621C. Hence the outputs of the two devices may be connected in parallel when constructing AM/SSB systems.

Less signal is needed to drive the SSB demodulator than the AM detector. In a combined AM/SSB system, therefore, the signal will automatically produce an SSB AGC voltage via the SL621C as long as a carrier (BFO) is present at the input to the SSB demodulator of the SL623C. The AGC generator of the SL623 will not contribute in such a configuration.

For AM operation the BFO must be disconnected from the carrier input of the SSB demodulator. In the absence of an input signal, the SL621C will then return to its quiescent state. To switch over a receiver using the SL623C from SSB to AM operation it is therefore necessary to turn off the BFO and transfer the audio pick-off from the SSB to the AM detector.

Neglecting to disconnect the SSB carrier input during AM operation can result in heterodyning due to pick-up of carrier on the input signal. In some sets different filters are used for AM and SSB: these will also need to be switched.

The 10 kilohm gain-setting preset potentiometer is adjusted

so that a DC output of 2 volts is achieved for an input of 125mV rms. There will then be full AGC output from the SL623C for a 4dB increase in input. A fixed resistor of 15kilohms can often be used instead of the potentiometer.

SSB Demodulator

The carrier input is applied to Pin 6, via a low-leakage capacitor. It should have an amplitude of about 100mV rms and low second harmonic content to avoid disturbing the DC level at the detector output.

Pin 8 is the SSB output and should be decoupled at RF by a 0.01 microfarad capacitor. The output impedance of the detector is 3 kilohm and the terminal is at a potential of about +2V which may be used to bias an emitter follower if a lower output impedance is required. The input to the audio stage of a receiver using an SL623C should be switched between the AM and the SSB outputs — no attempt should be made to mix them. Since the SL621C is normally used in circumstances where low-level audio is obtained from the detector, the relatively high SSB audio output of the SL623C must be attenuated before being applied to the SL621C. This is most easily done by connecting the SL623C to the SL621C via a 2 kilohm resistor in series with a 0.5 microfarad capacitor.

Input Conditions

The input impedance is about 800 ohms in parallel with 5pF. Connection must be made to the input via a capacitor to preserve the DC bias. An input of about 125mV rms is required for satisfactory carrier AGC performance and 20mV rms for SSB detection. Normally, the AGC will cope with this variation but in an extreme case a receiver using an SL623C and having the same gain to the detector in both AM and SSB modes will be some 10dB less sensitive to AM.



**For more information about all Zarlink products
visit our Web Site at
www.zarlink.com**

Information relating to products and services furnished herein by Zarlink Semiconductor Inc. trading as Zarlink Semiconductor or its subsidiaries (collectively "Zarlink") is believed to be reliable. However, Zarlink assumes no liability for errors that may appear in this publication, or for liability otherwise arising from the application or use of any such information, product or service or for any infringement of patents or other intellectual property rights owned by third parties which may result from such application or use. Neither the supply of such information or purchase of product or service conveys any license, either express or implied, under patents or other intellectual property rights owned by Zarlink or licensed from third parties by Zarlink, whatsoever. Purchasers of products are also hereby notified that the use of product in certain ways or in combination with Zarlink, or non-Zarlink furnished goods or services may infringe patents or other intellectual property rights owned by Zarlink.

This publication is issued to provide information only and (unless agreed by Zarlink in writing) may not be used, applied or reproduced for any purpose nor form part of any order or contract nor to be regarded as a representation relating to the products or services concerned. The products, their specifications, services and other information appearing in this publication are subject to change by Zarlink without notice. No warranty or guarantee express or implied is made regarding the capability, performance or suitability of any product or service. Information concerning possible methods of use is provided as a guide only and does not constitute any guarantee that such methods of use will be satisfactory in a specific piece of equipment. It is the user's responsibility to fully determine the performance and suitability of any equipment using such information and to ensure that any publication or data used is up to date and has not been superseded. Manufacturing does not necessarily include testing of all functions or parameters. These products are not suitable for use in any medical products whose failure to perform may result in significant injury or death to the user. All products and materials are sold and services provided subject to Zarlink's conditions of sale which are available on request.

Purchase of Zarlink's I²C components conveys a licence under the Philips I²C Patent rights to use these components in and I²C System, provided that the system conforms to the I²C Standard Specification as defined by Philips.

Zarlink and the Zarlink Semiconductor logo are trademarks of Zarlink Semiconductor Inc.

Copyright 2001, Zarlink Semiconductor Inc. All Rights Reserved.

TECHNICAL DOCUMENTATION - NOT FOR RESALE
